

US00D588316S

(12) **United States Design Patent**
Griffin

(10) **Patent No.:** **US D588,316 S**
(45) **Date of Patent:** **** Mar. 10, 2009**

(54) **VACUUM CLEANER**

(75) Inventor: **John Griffin**, Phoenix, AZ (US)

(73) Assignee: **Shop-Vac Corporation**, Williamsport, PA (US)

(**) Term: **14 Years**

(21) Appl. No.: **29/279,921**

(22) Filed: **May 11, 2007**

(51) **LOC (9) Cl.** **15-05**

(52) **U.S. Cl.** **D32/31**

(58) **Field of Classification Search** D32/21,
D32/23-24, 31, 15-16; D23/225; 15/320-321,
15/353, 323, 327.1-327.7, 329, 339, 412,
15/340.2, 344, 347; 55/DIG. 2
See application file for complete search history.

(56) **References Cited**

U.S. PATENT DOCUMENTS

D429,042 S *	8/2000	Griffin et al.	D32/23
D447,844 S *	9/2001	Griffin	D32/31
D506,042 S *	6/2005	Griffin et al.	D32/21
D506,857 S *	6/2005	Griffin	D32/23
D507,386 S *	7/2005	Griffin et al.	D32/21
D527,504 S *	8/2006	Griffin et al.	D32/21
D528,255 S *	9/2006	Griffin et al.	D32/21

OTHER PUBLICATIONS

U.S. Appl. No. 29/279,922, Griffin et al., filed May 11, 2007.
U.S. Appl. No. 29/279,924, Griffin, filed May 11, 2007.
U.S. Appl. No. 29/279,946, Griffin et al., filed May 11, 2007.

U.S. Appl. No. 29/279,947, Griffin et al., filed May 11, 2007.
U.S. Appl. No. 29/279,957, Griffin et al., filed May 11, 2007.
U.S. Appl. No. 29/279,962, Griffin et al., filed May 11, 2007.
U.S. Appl. No. 29/286,567, Griffin et al., filed May 11, 2007.
U.S. Appl. No. 29/286,572, Griffin et al., filed May 11, 2007.
Shop-Vac Brochure, All Around Vac, dated 2000.
Shop-Vac Brochure, Ultra Pump Vac, dated 2002.
Shop-Vac Brochure, Ultra Plus and Ultra Pro, dated 2006.
Karcher Catalogue, High Performance Wet and Dry Vacuums, Dust Extraction and Spray Extraction Machines, dated 1999.

* cited by examiner

Primary Examiner—Ruth McInroy

(74) *Attorney, Agent, or Firm*—Marshall, Gerstein & Borun LLP

(57) **CLAIM**

The ornamental design for a vacuum cleaner, as shown and described.

DESCRIPTION

FIG. 1 is a top perspective view of a vacuum cleaner showing my new design;

FIG. 2 is a front view thereof;

FIG. 3 is a left-side view thereof;

FIG. 4 is a right-side view thereof;

FIG. 5 is a top and left-side view thereof; and,

FIG. 6 is a top and right-side view thereof.

The details shown in broken lines form no part of the claimed design.

1 Claim, 6 Drawing Sheets

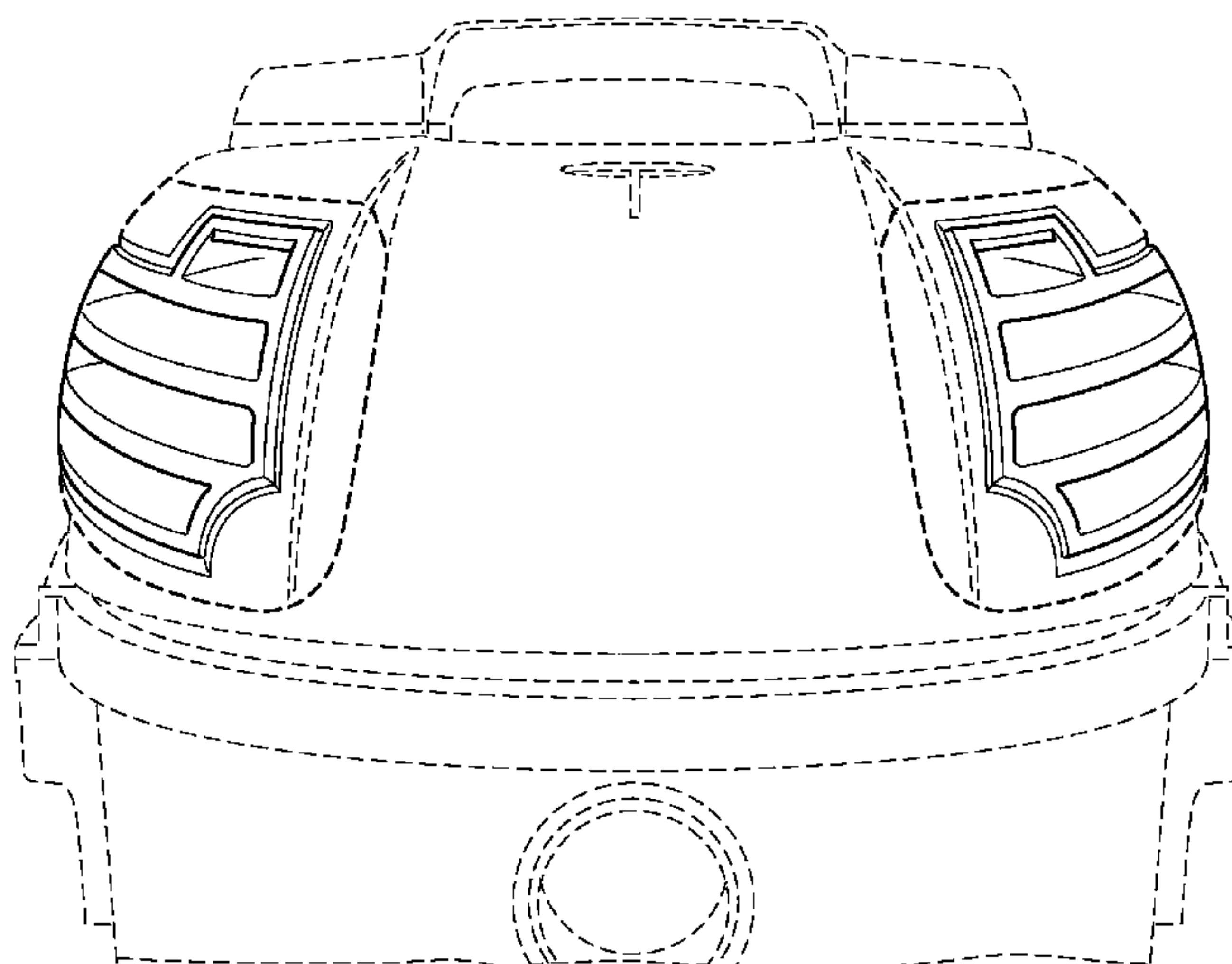
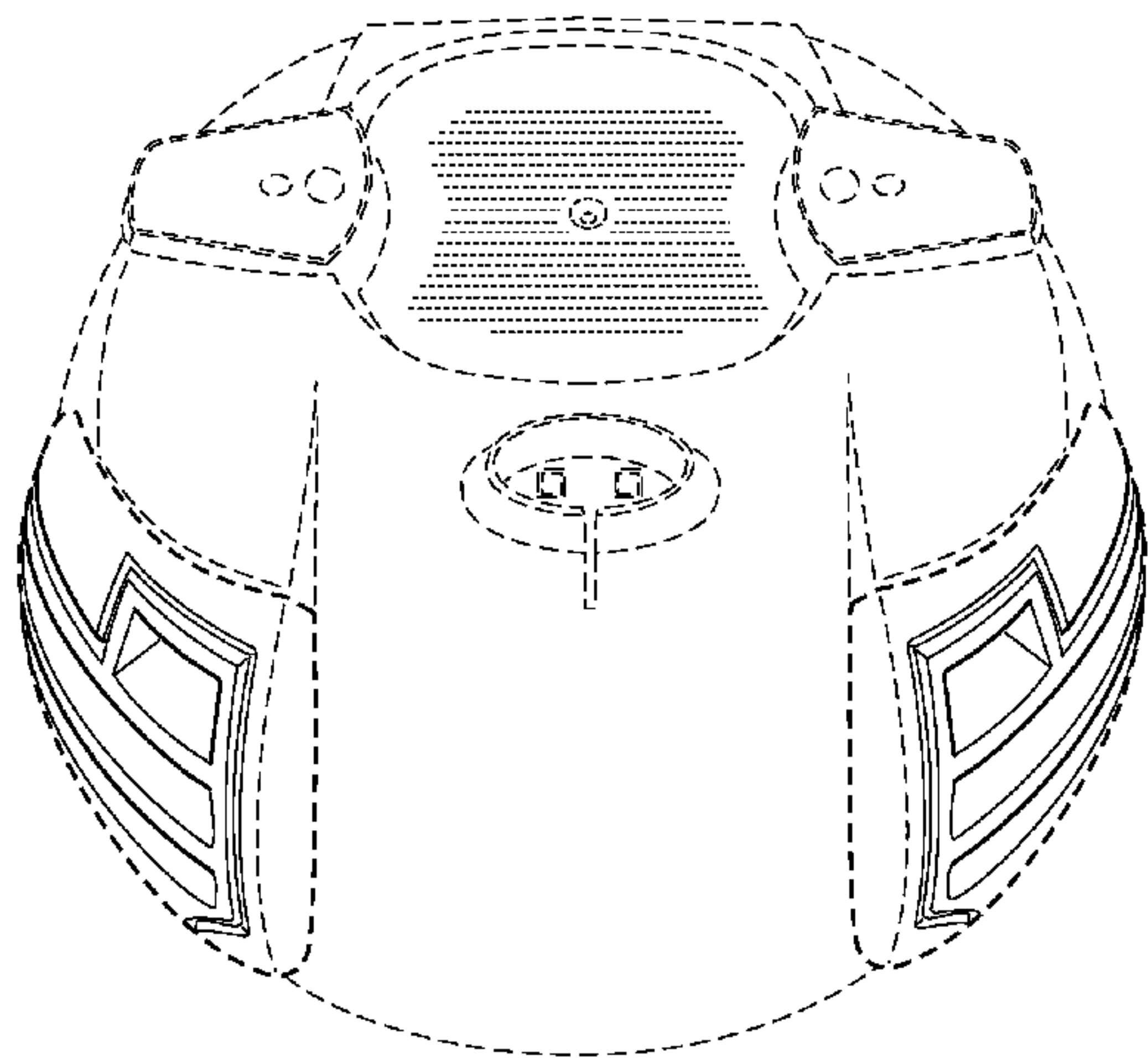


FIG. 1

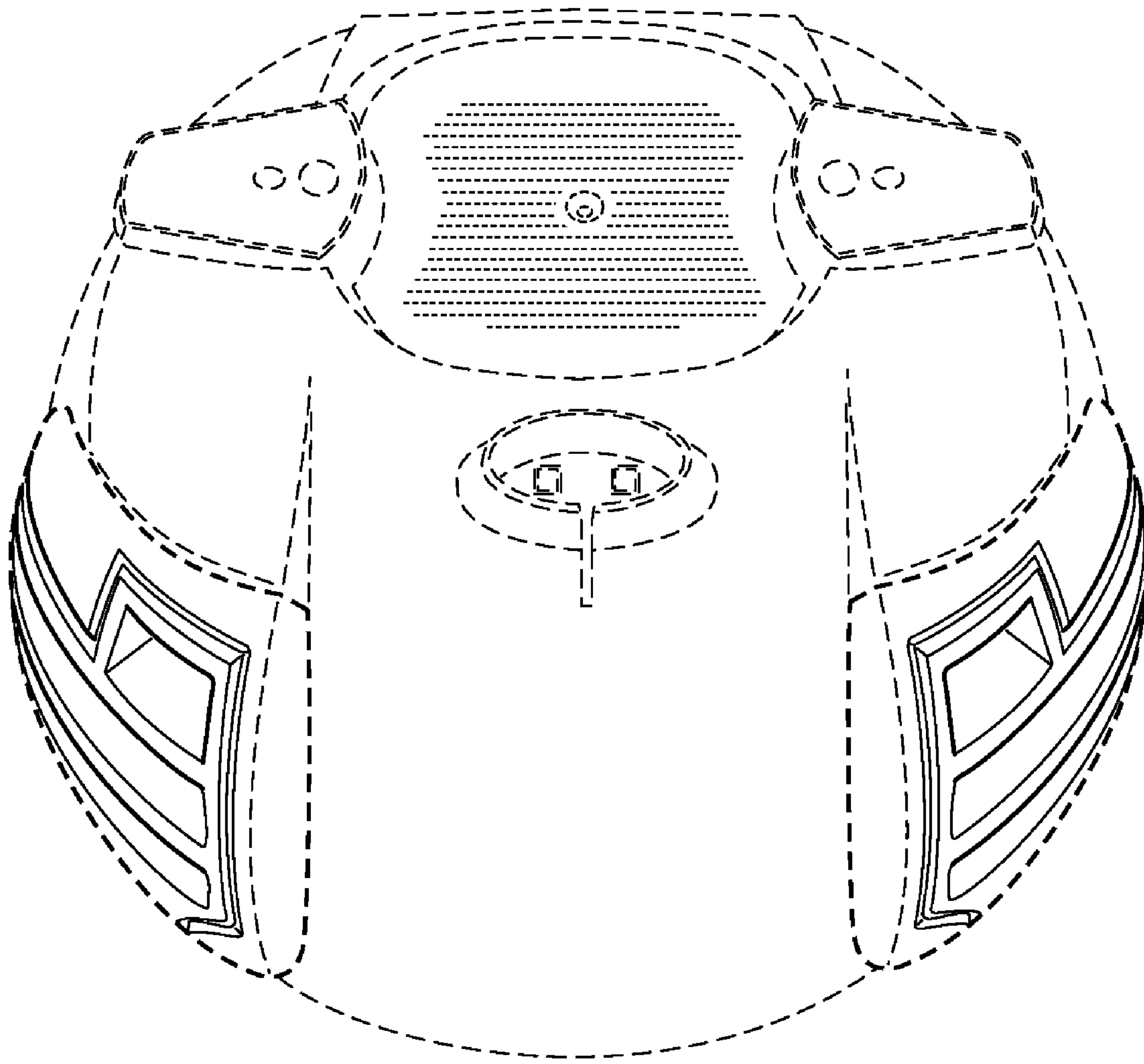


FIG. 2

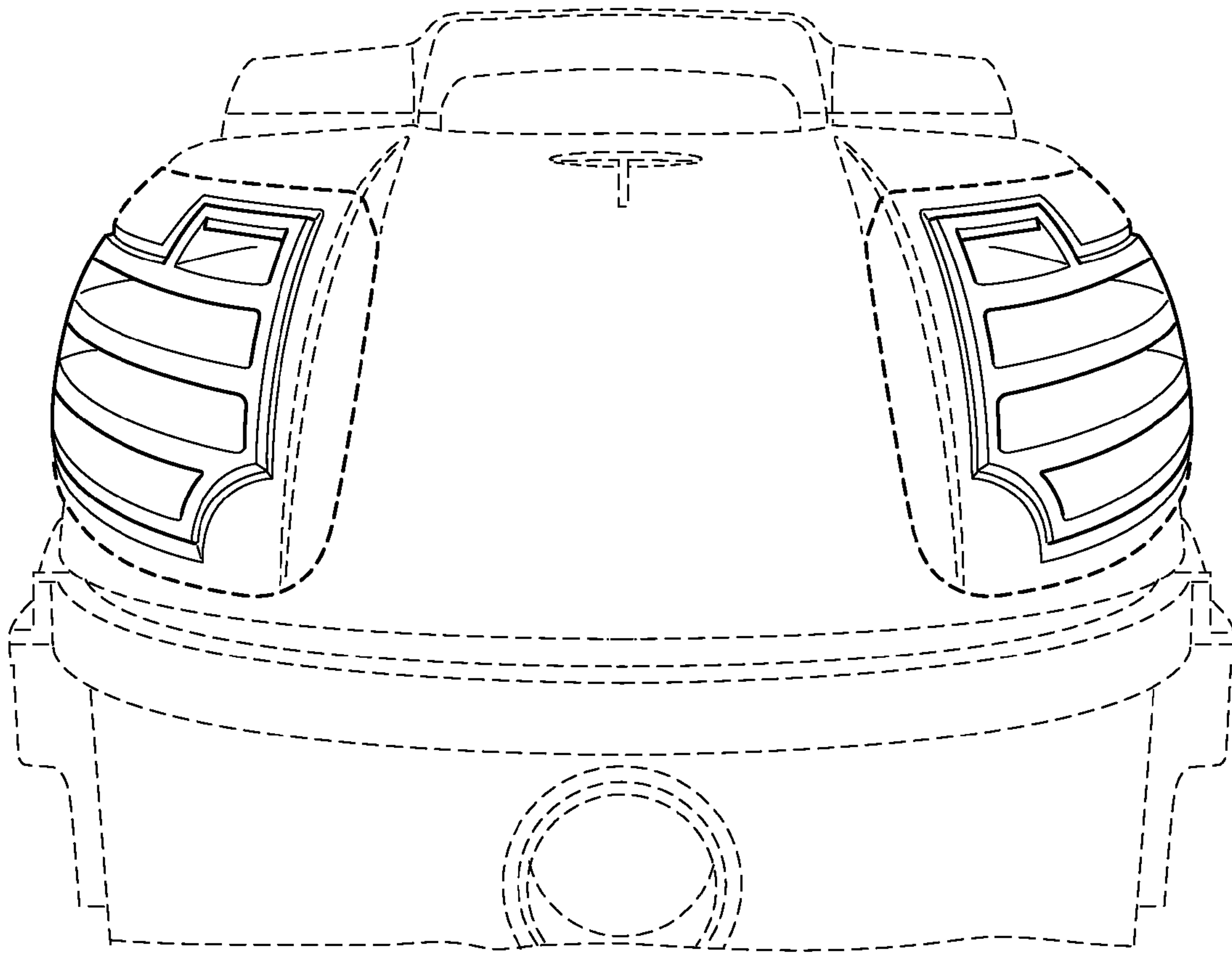


FIG. 3

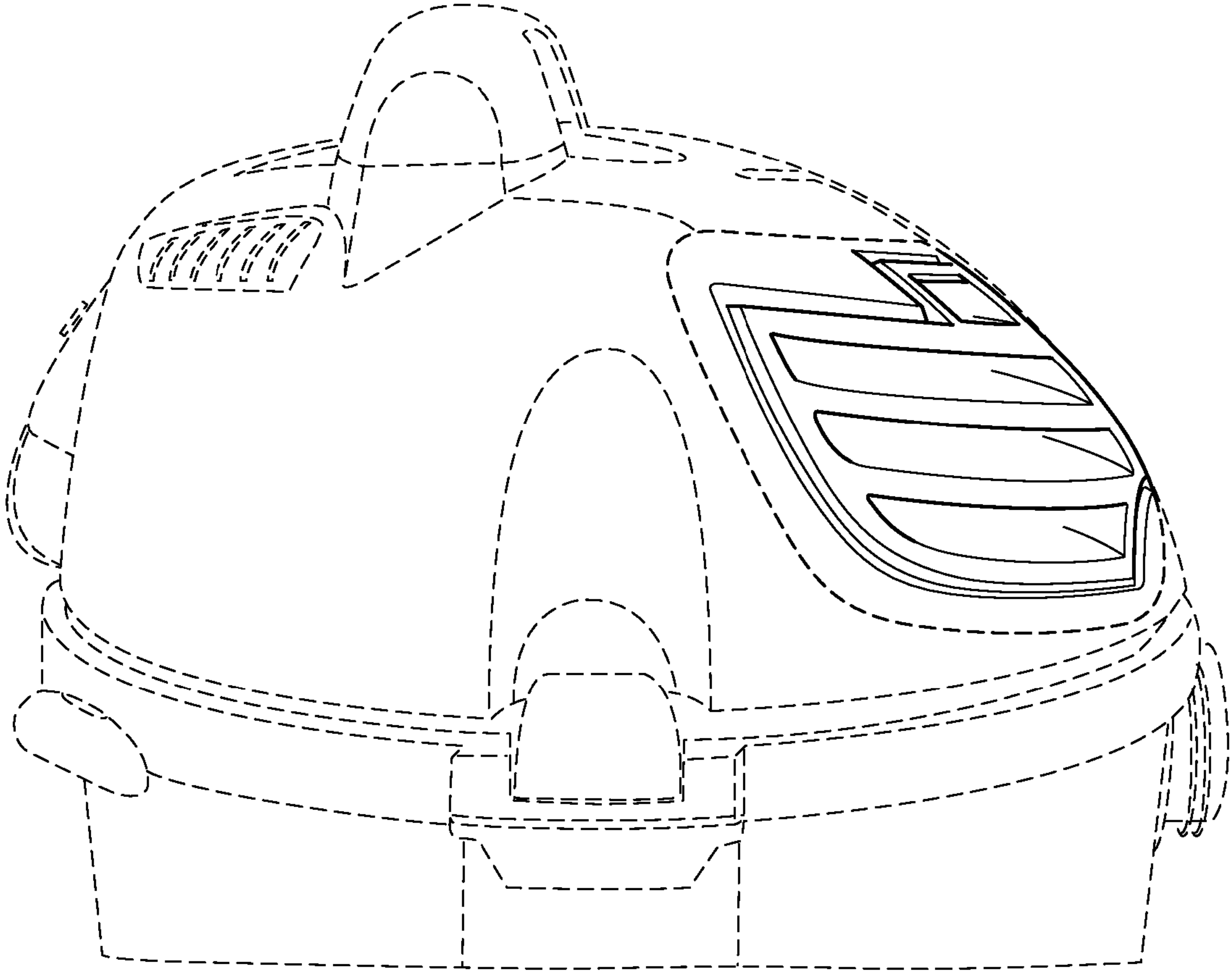


FIG. 4

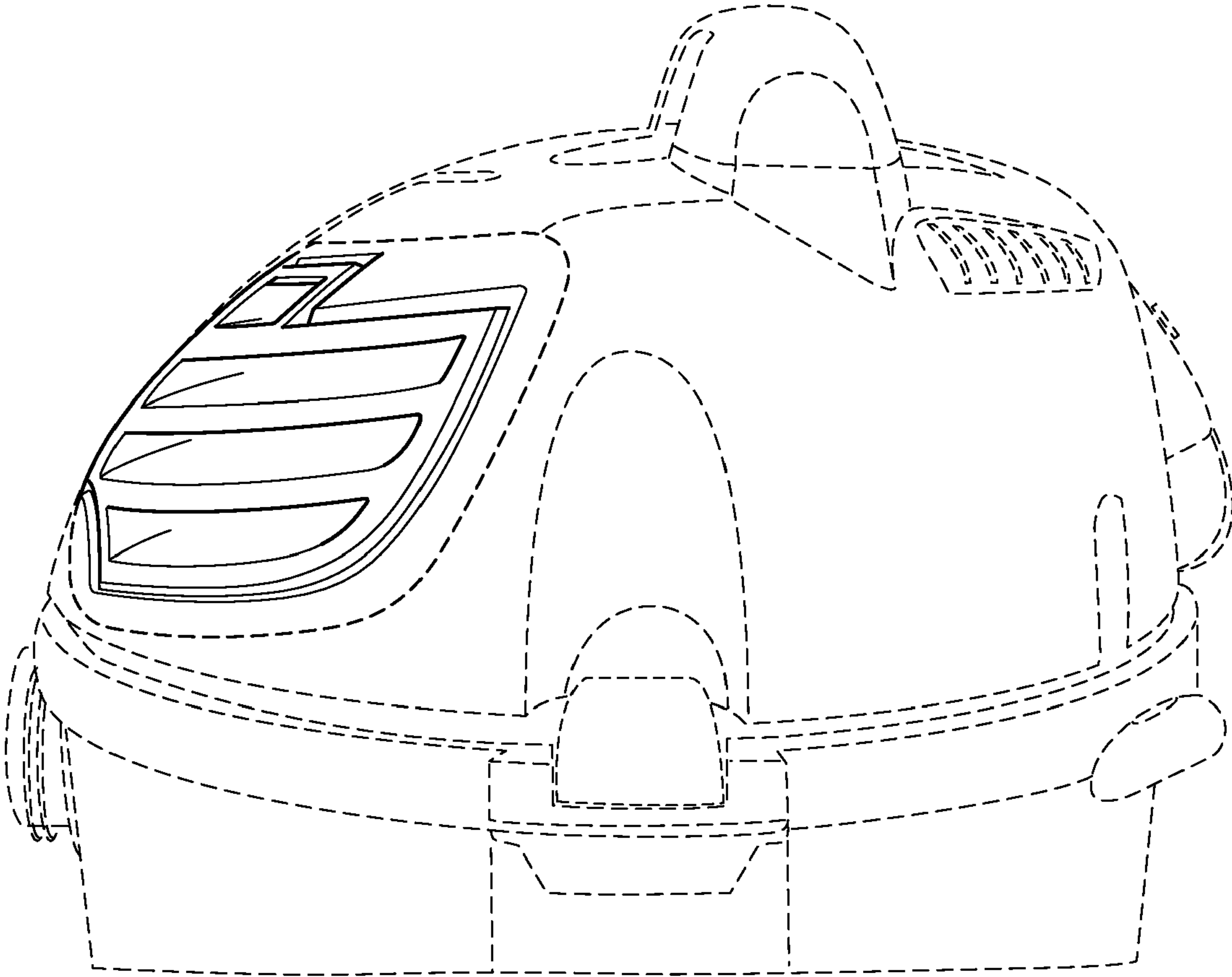


FIG. 5

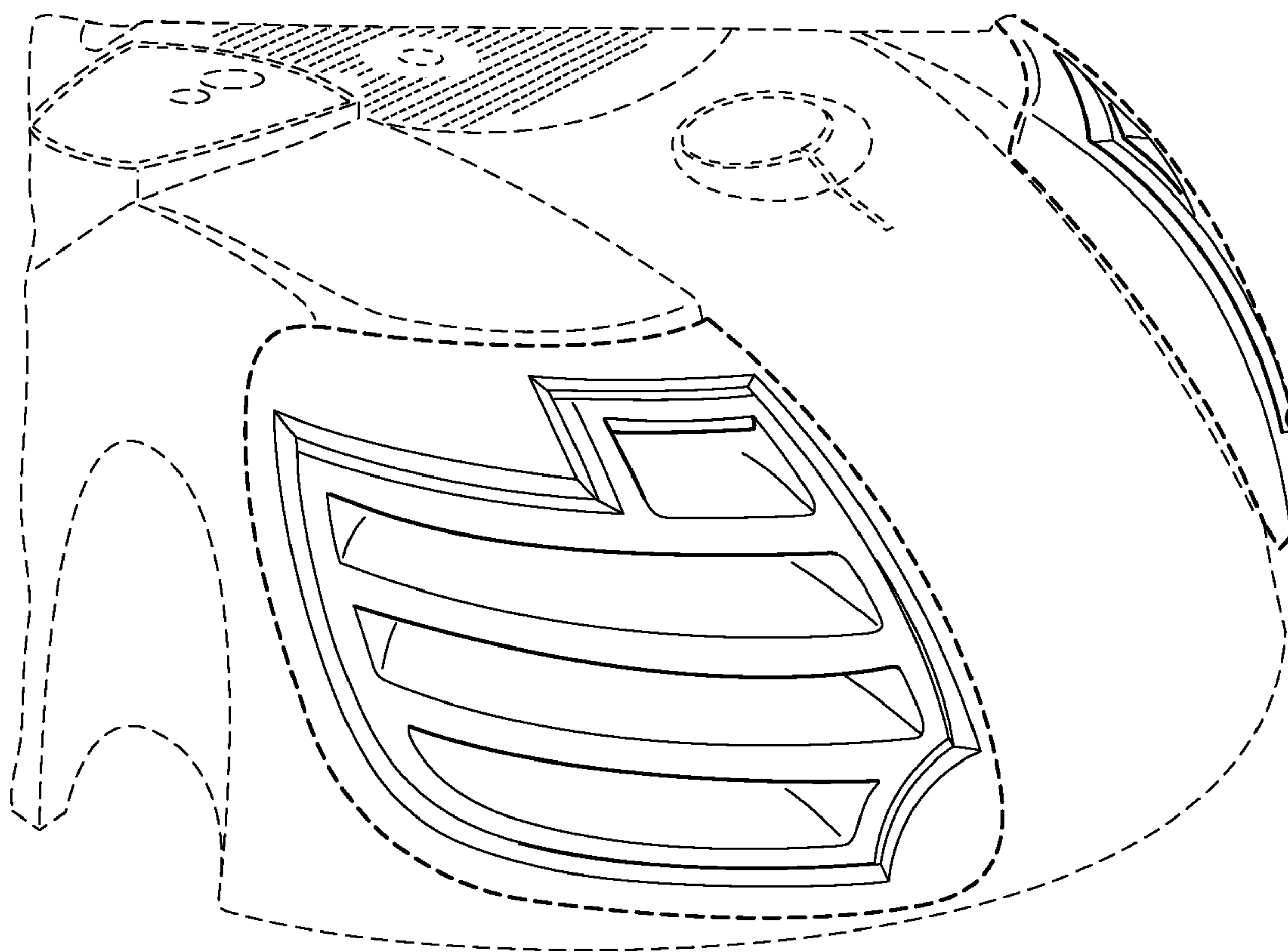


FIG. 6

