



US00D588313S

(12) **United States Design Patent**  
**Conner et al.**

(10) **Patent No.:** **US D588,313 S**  
(45) **Date of Patent:** **\*\* Mar. 10, 2009**

(54) **PORTABLE CLEANING DEVICE**

(75) Inventors: **Michael P. Conner**, Uniontown, OH (US); **Jeff Morgan**, Cuyahoga Falls, OH (US); **Robert A. Vystrcil**, Garrettsville, OH (US); **David B. Chaney**, Sagamore Hills, OH (US); **Shawn Whetstone**, New Albany, OH (US); **Terry Birchler**, New Albany, OH (US)

(73) Assignee: **Royal Appliance Mfg. Co.**, Glenwillow, OH (US)

(\*\*) Term: **14 Years**

(21) Appl. No.: **29/292,675**

(22) Filed: **Oct. 24, 2007**

(51) **LOC (9) Cl.** ..... **15-05**  
(52) **U.S. Cl.** ..... **D32/15**  
(58) **Field of Classification Search** ..... D32/1,  
D32/4, 15, 25, 30, 17-18, 21; 239/146, 525;  
15/310, 314-315, 320-323, 327.1, 327.6-327.7,  
15/344, 347, 353, 410, 412, 414; D23/213,  
D23/225

See application file for complete search history.

(56) **References Cited**

**U.S. PATENT DOCUMENTS**

D236,830 S \* 9/1975 Bochmann et al. .... D23/225  
D272,380 S \* 1/1984 Poon ..... D23/225  
D284,885 S \* 7/1986 Nakamura ..... D23/225  
D315,233 S \* 3/1991 Klingspor et al. .... D32/21  
D324,592 S \* 3/1992 Klingspor et al. .... D32/21  
D325,453 S \* 4/1992 Tsuge ..... D32/21  
D352,146 S \* 11/1994 Wulff ..... D32/24  
D363,494 S \* 10/1995 Gebauer et al. .... D15/7

6,094,773 A 8/2000 Krentz et al.  
D443,736 S \* 6/2001 Warth ..... D32/15  
6,779,227 B2 8/2004 Lee  
D496,764 S \* 9/2004 Lopano ..... D32/21  
7,007,826 B2 3/2006 Shapanus et al.  
D568,007 S \* 4/2008 Li ..... D32/15  
D568,558 S \* 5/2008 Li ..... D32/15  
D568,560 S \* 5/2008 Li ..... D32/15

\* cited by examiner

*Primary Examiner*—Louis S Zarfaz

*Assistant Examiner*—Kathleen M Sims

(74) *Attorney, Agent, or Firm*—Fay Sharpe LLP

(57) **CLAIM**

The ornamental design for a portable cleaning device, as shown and described.

**DESCRIPTION**

FIG. 1 is a front, left perspective view of a portable cleaning device showing our new design;

FIG. 2 is a rear, left perspective view thereof;

FIG. 3 is a rear, right perspective view thereof;

FIG. 4 is a front elevational view thereof;

FIG. 5 is a rear elevational view thereof;

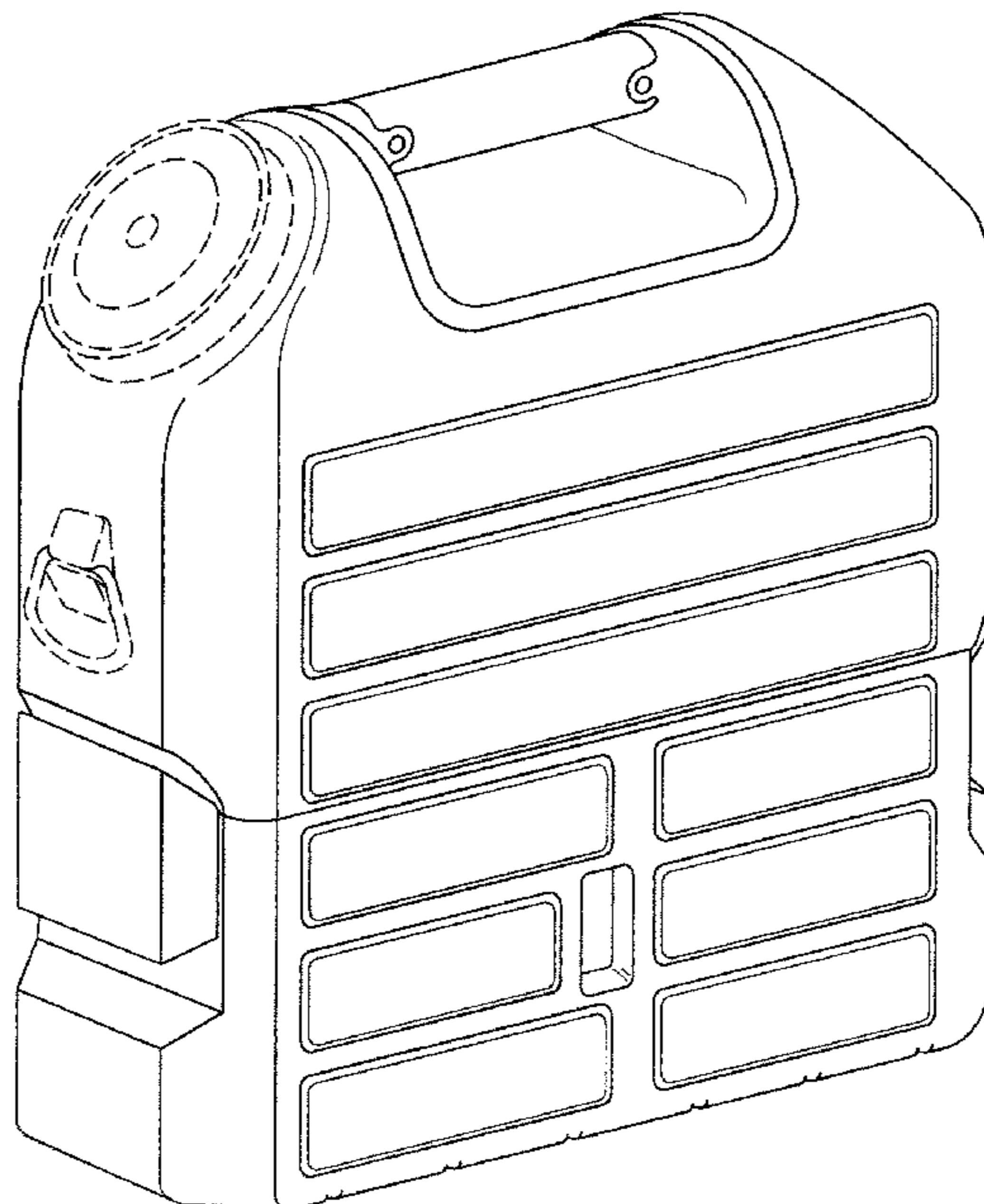
FIG. 6 is a top plan view thereof; and,

FIG. 7 is a bottom plan view thereof.

The components illustrated in dashed lines in FIGS. 1-7 form no part of the claimed design.

The broken line showing of components in FIGS. 5-7 is included for the purpose of illustrating environmental portions of the portable cleaning device and forms no part of the claimed design.

**1 Claim, 6 Drawing Sheets**



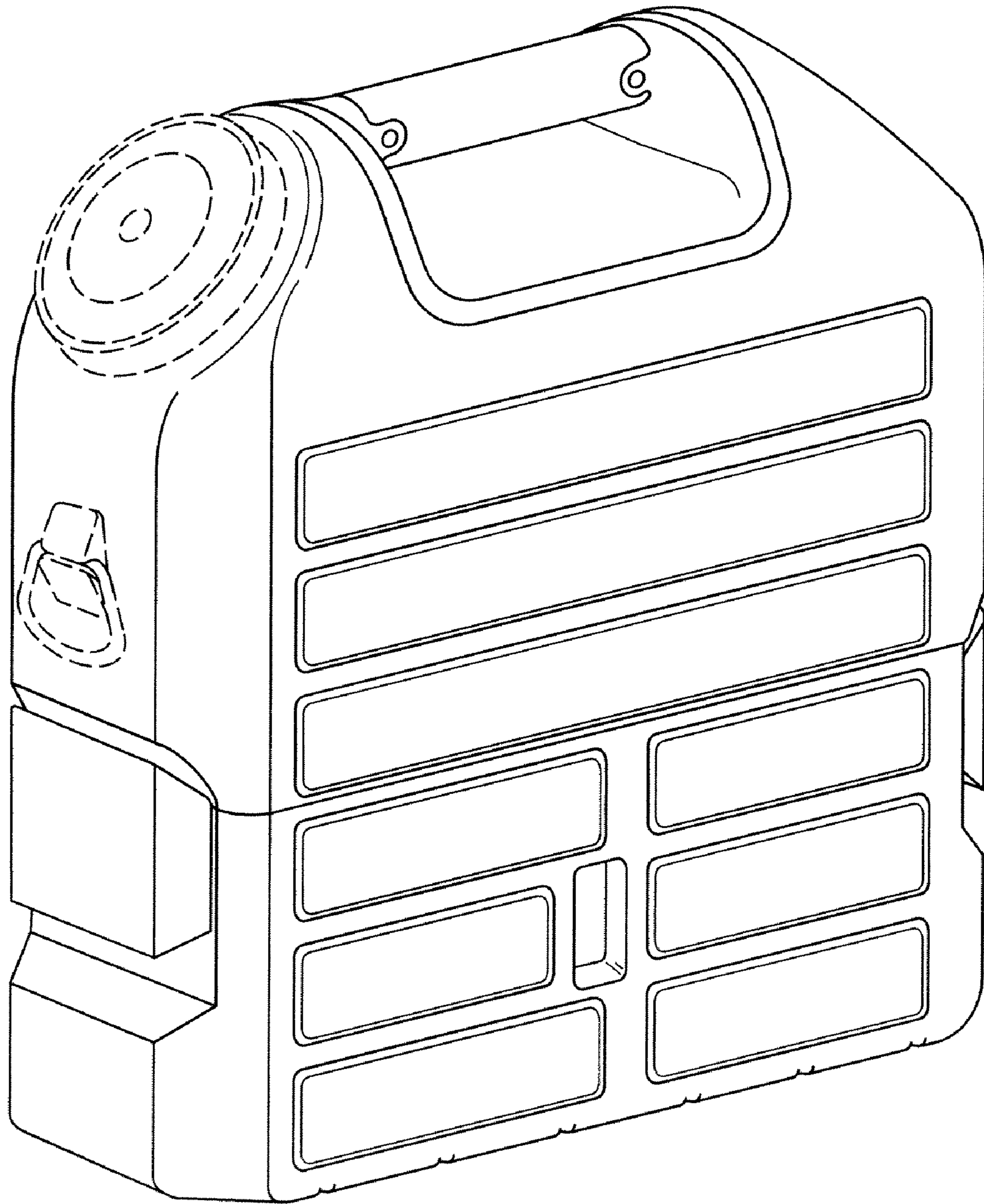


FIG. 1

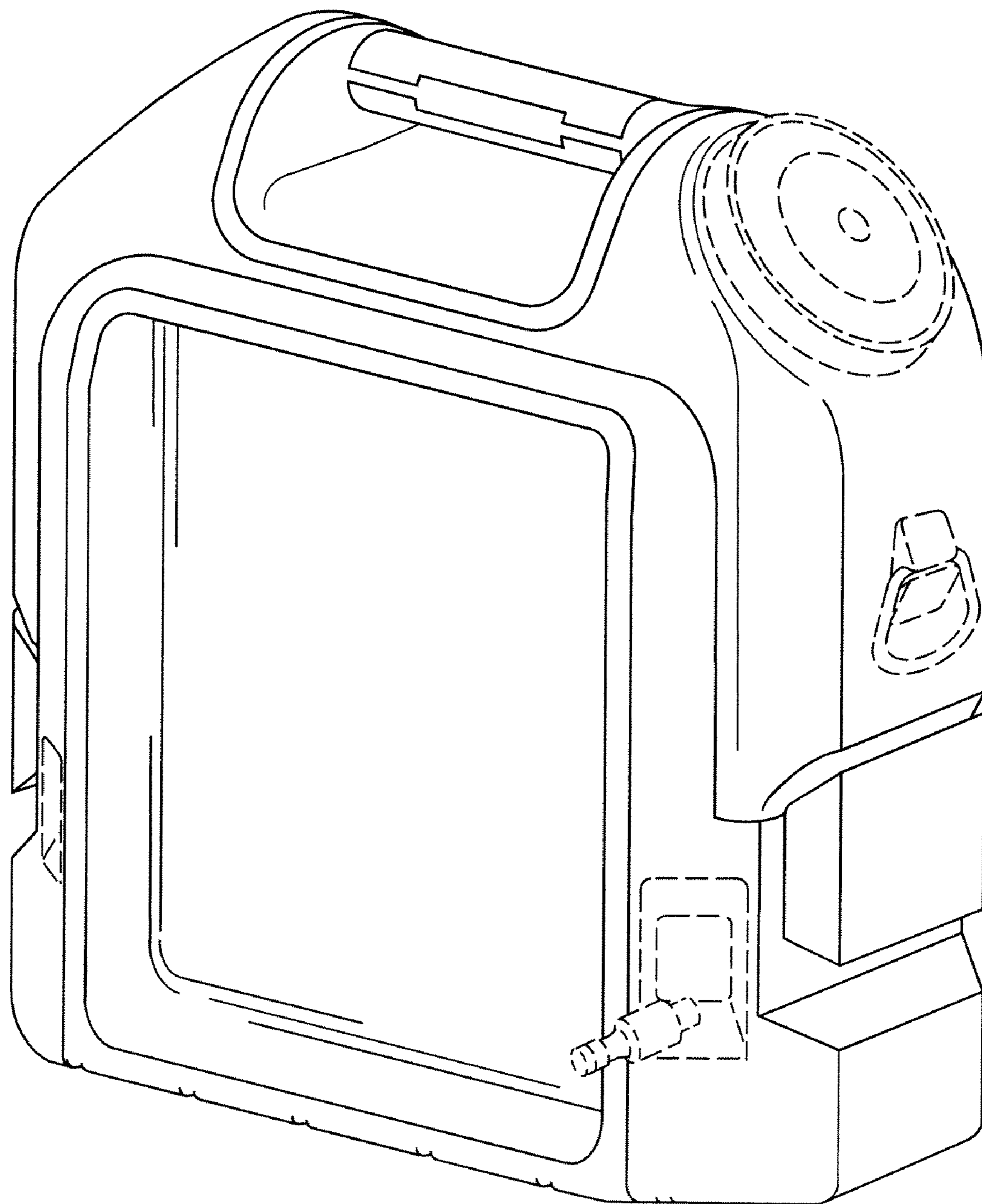


FIG. 2



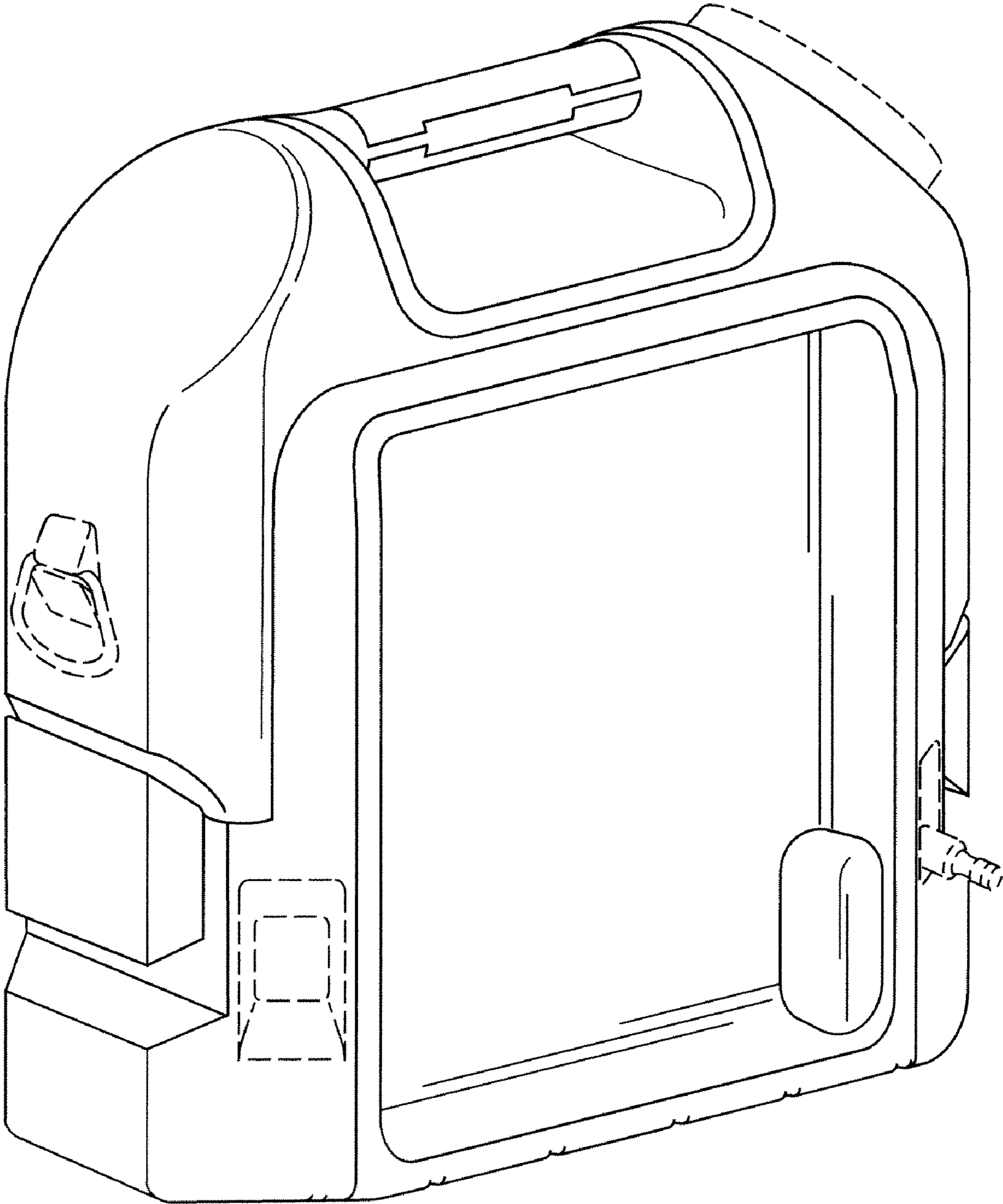


FIG. 3

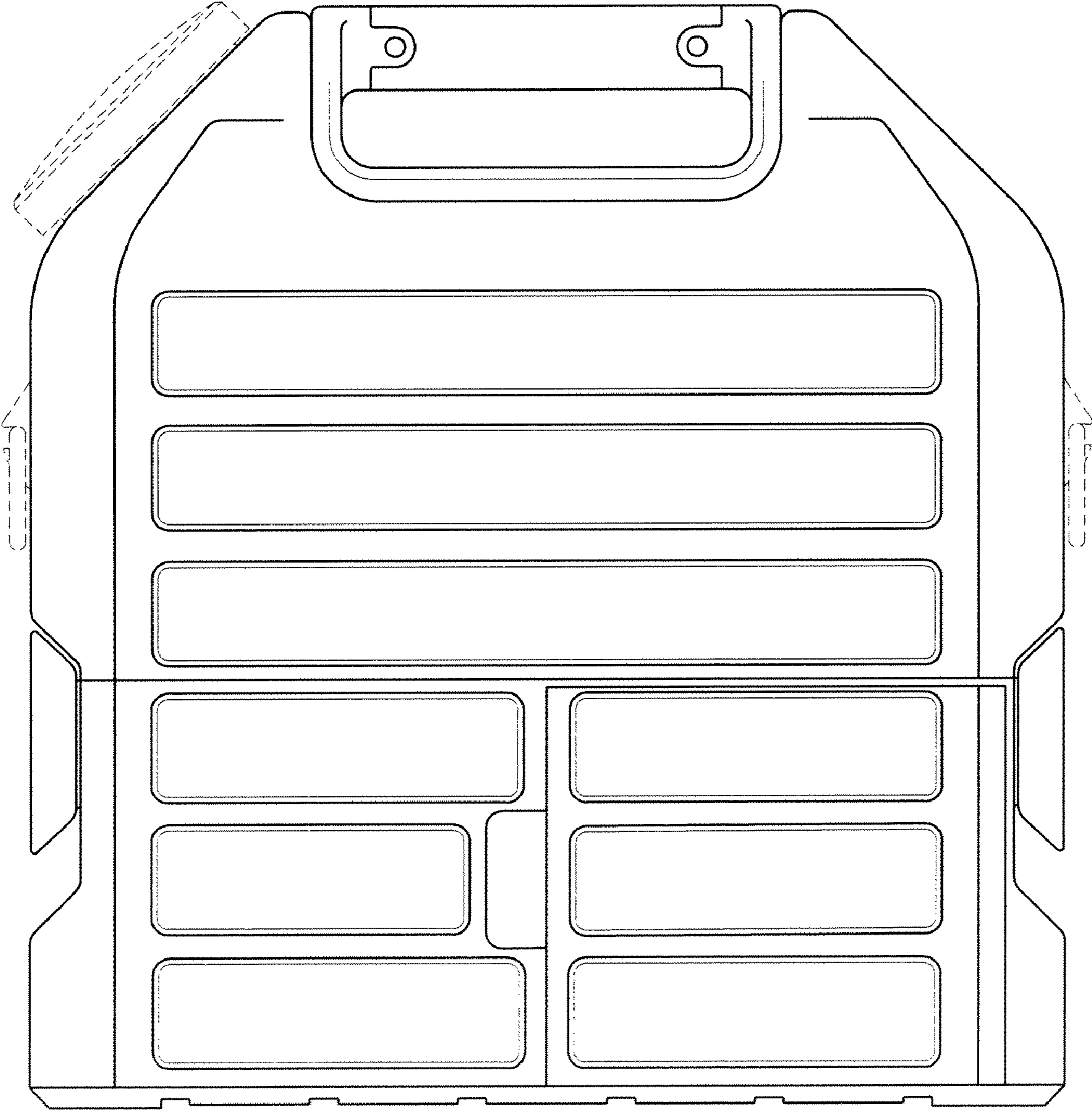


FIG. 4

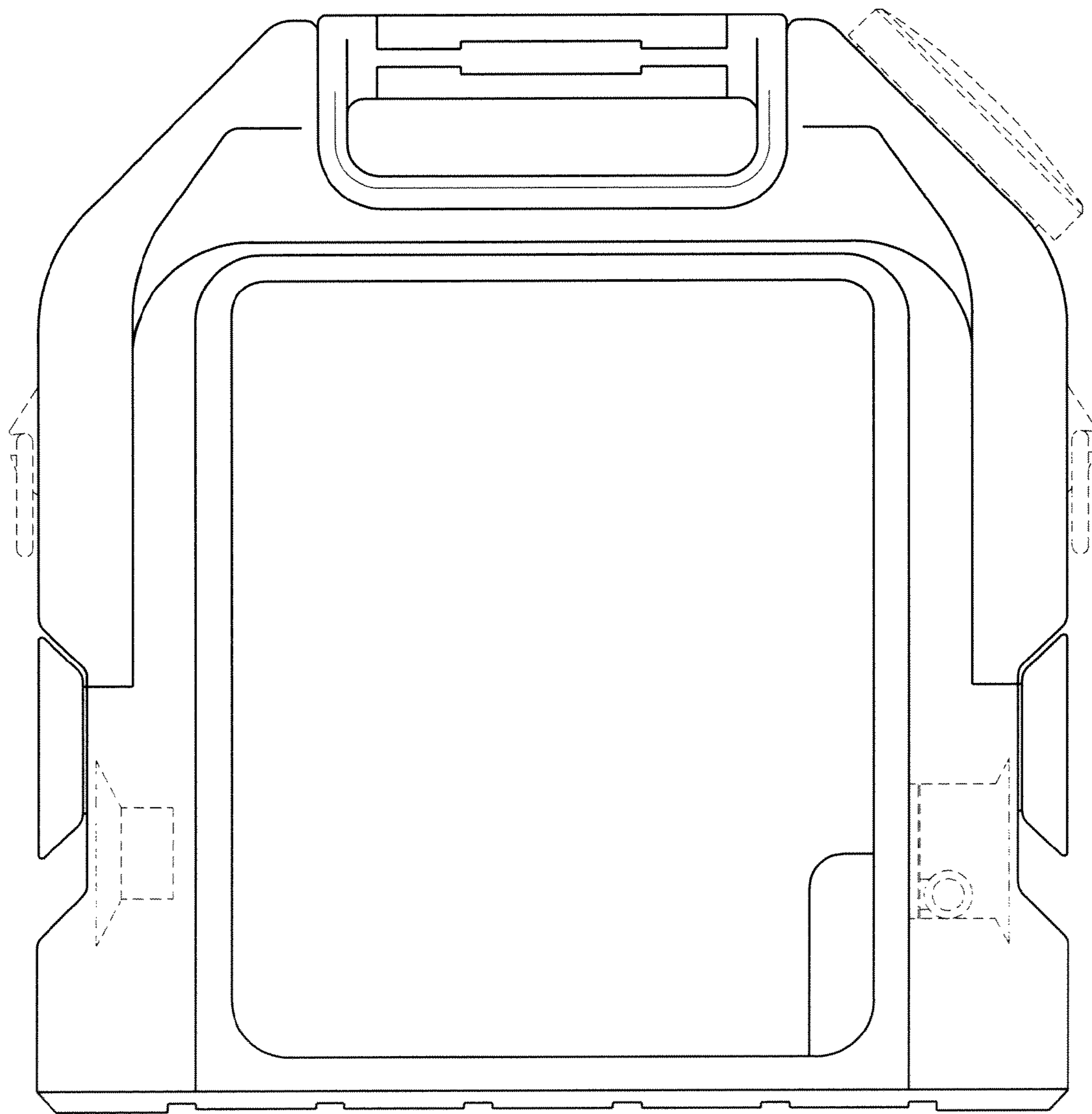


FIG. 5

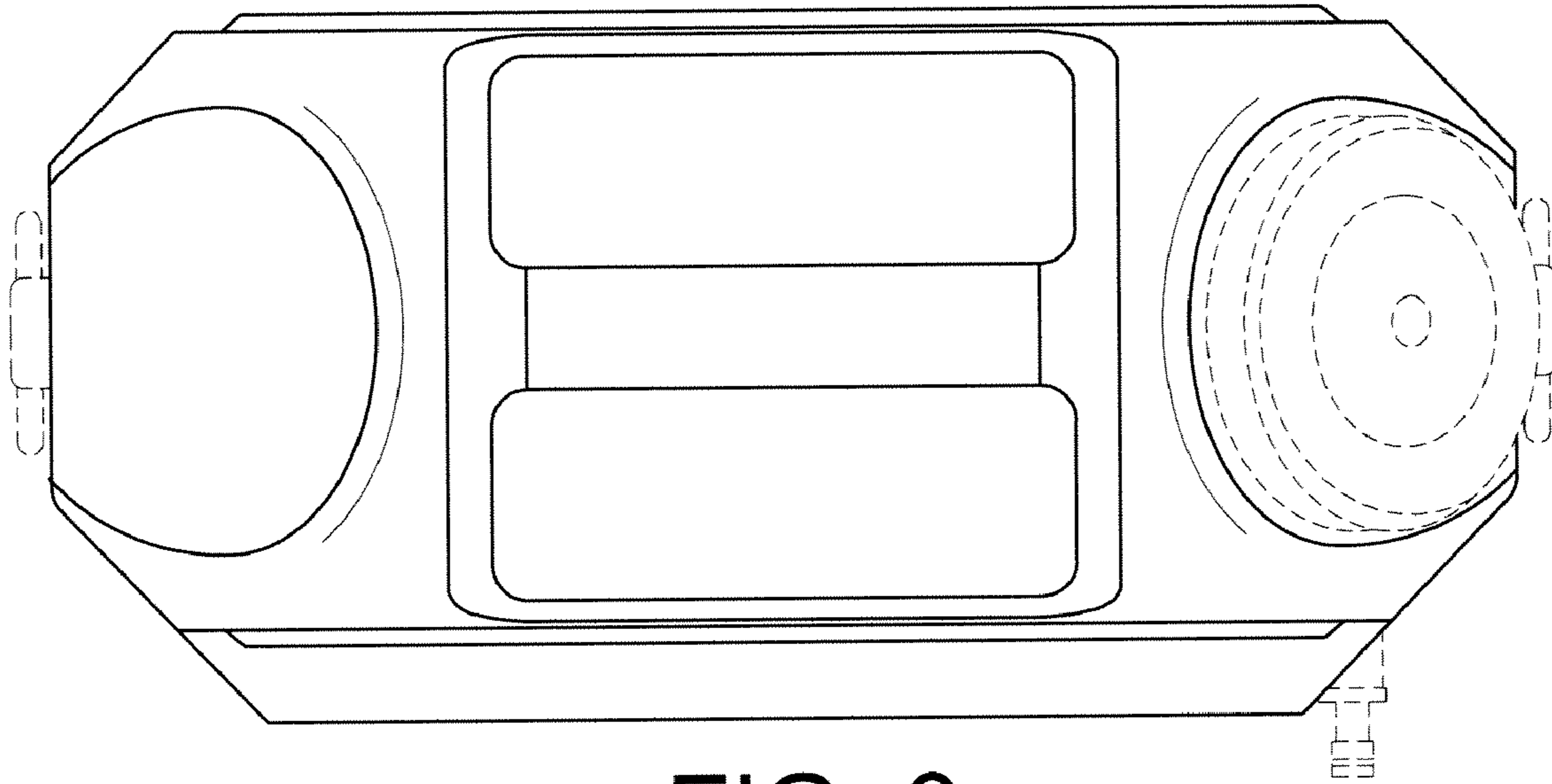


FIG. 6

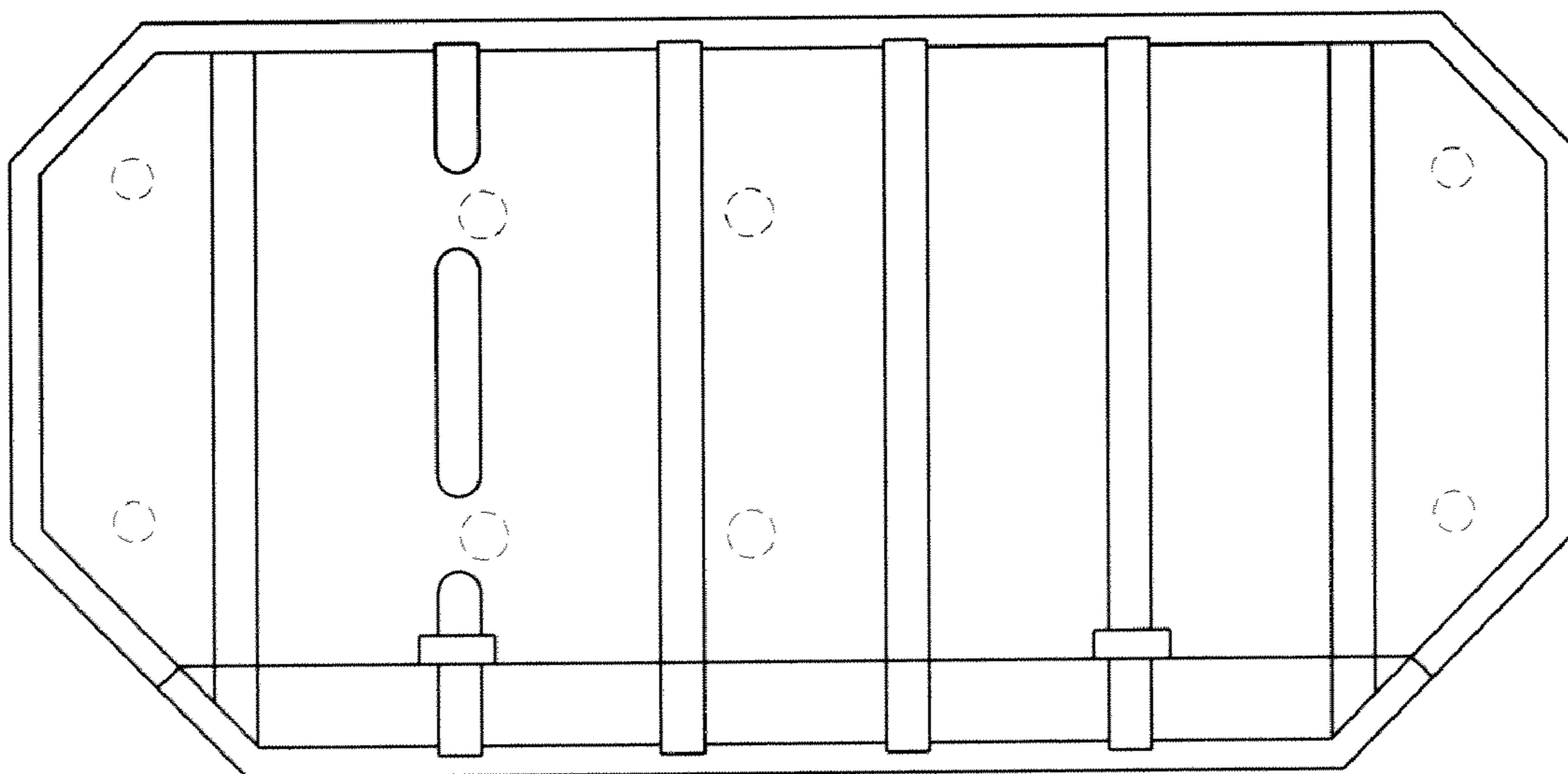


FIG. 7