



US00D588310S

(12) **United States Design Patent**
Dancyger et al.

(10) **Patent No.:** **US D588,310 S**
(45) **Date of Patent:** **** Mar. 10, 2009**

(54) **KNEEPAD**

6,122,768 A * 9/2000 McCrane 2/16
6,347,403 B1 * 2/2002 Wilcox 2/24
D476,449 S * 6/2003 Beutler D29/121.1

(75) Inventors: **Michael Dancyger**, South Gate, CA
(US); **Mathew Noble**, Los Angeles, CA
(US); **Jeffrey Sasaki**, San Carlos, CA
(US)

* cited by examiner

Primary Examiner—Raphael Barkai
Assistant Examiner—Randall H Gholson
(74) *Attorney, Agent, or Firm*—Steven Laut

(73) Assignee: **Custom Leathercraft Manufacturing, Inc.**

(**) Term: **14 Years**

(57) **CLAIM**

(21) Appl. No.: **29/294,837**

The ornamental design for a kneepad, as shown and described.

(22) Filed: **Jan. 28, 2008**

DESCRIPTION

(51) **LOC (9) Cl.** **29-02**

(52) **U.S. Cl.** **D29/121.1**

(58) **Field of Classification Search** D29/100,
D29/101.1, 101.2, 101.3, 101.4, 101.5, 120.1,
D29/120.2, 121.1, 121.2, 122; D2/901; D24/190;
2/16, 20–24, 62, 267, 455, 461, 463, 910,
2/911; 602/3, 5, 6, 16, 23, 26

FIG. 1 is a perspective view of a kneepad showing our new design;

FIG. 2 is a rear view thereof;

FIG. 3 is a right side view thereof;

FIG. 4 is a left side view thereof;

FIG. 5 is a top view thereof;

FIG. 6 is a bottom view thereof shown without straps for ease of illustration; and,

FIG. 7 is a front view thereof.

See application file for complete search history.

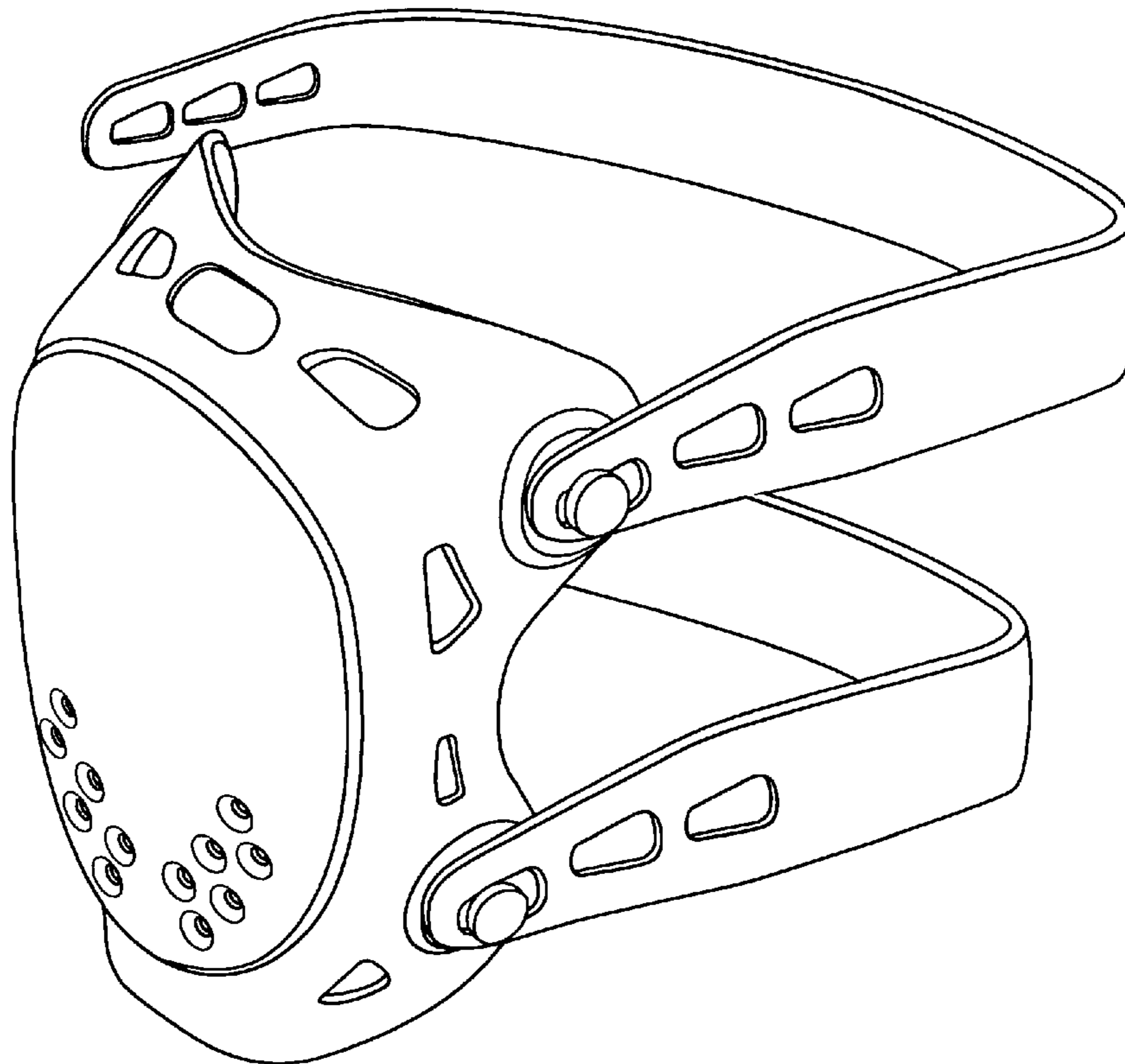
The kneepad straps shown in FIGS. 1–5 and 7 are shown in different configurations for ease of illustration.

(56) **References Cited**

U.S. PATENT DOCUMENTS

D97,393 S * 11/1935 Judsen D29/121.1
D341,228 S * 11/1993 Loftin D29/121.1
5,594,954 A * 1/1997 Huang 2/24
D380,876 S * 7/1997 Campbell D29/121.1

1 Claim, 7 Drawing Sheets



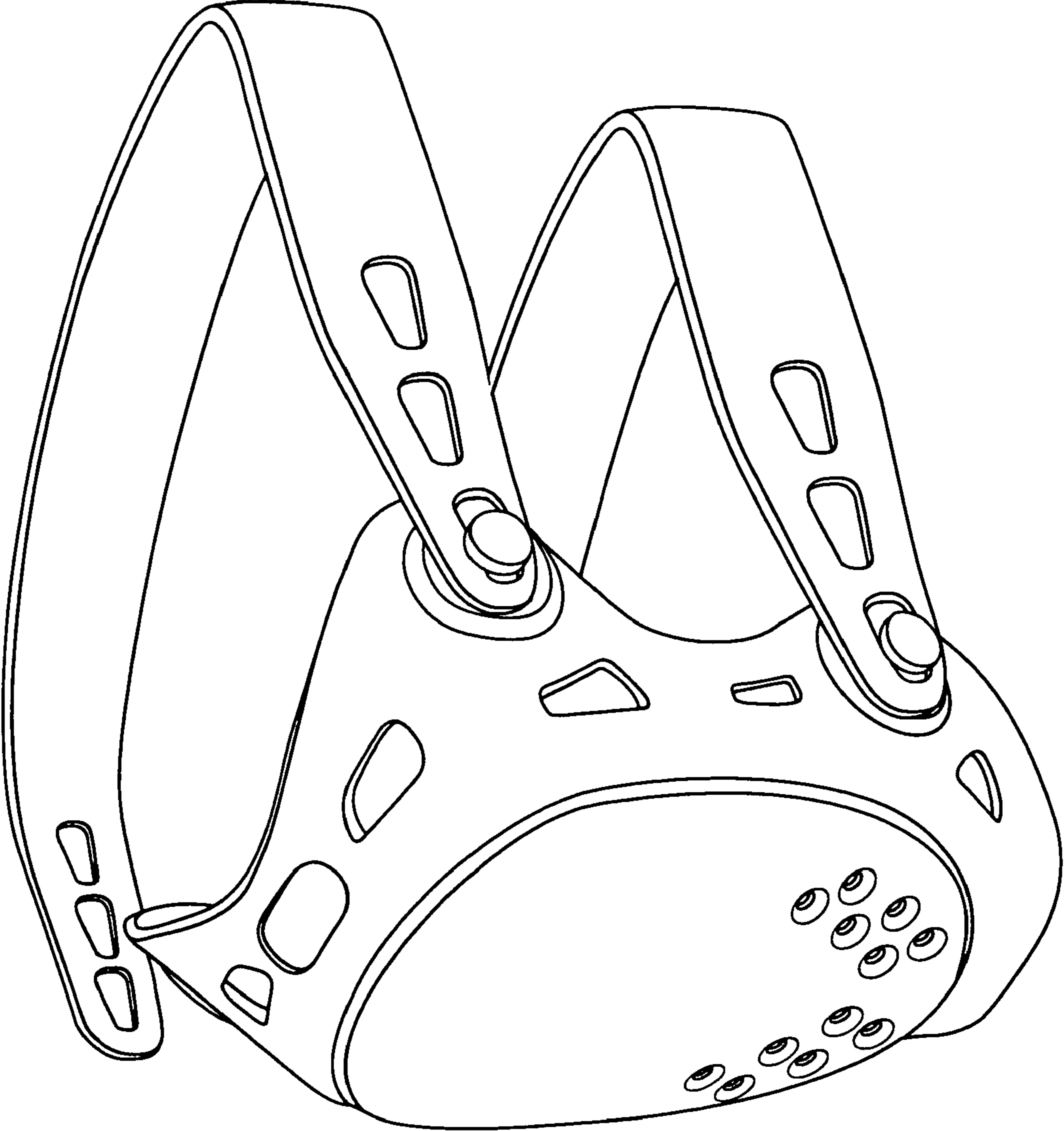


FIG 1

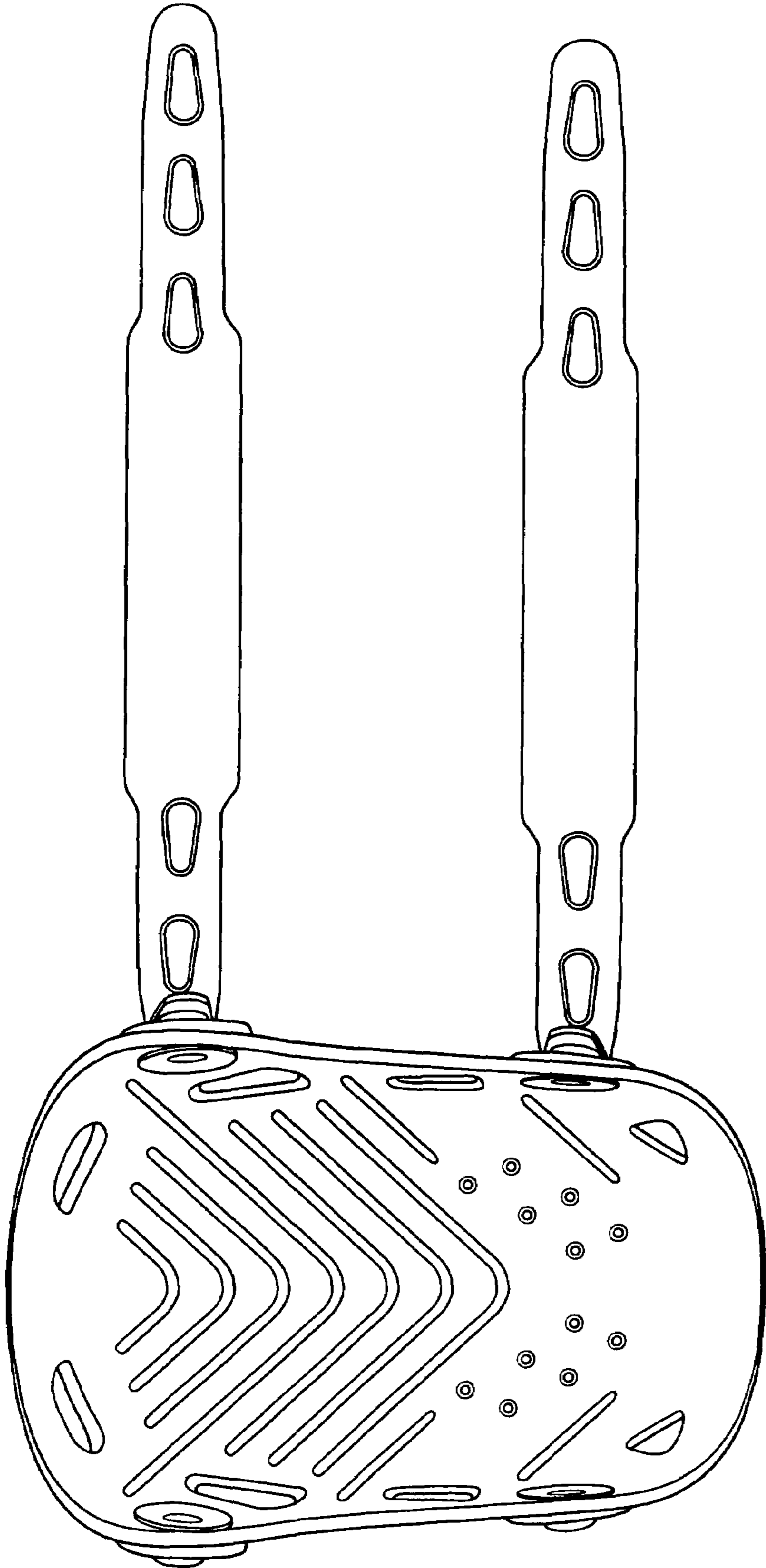


FIG 2

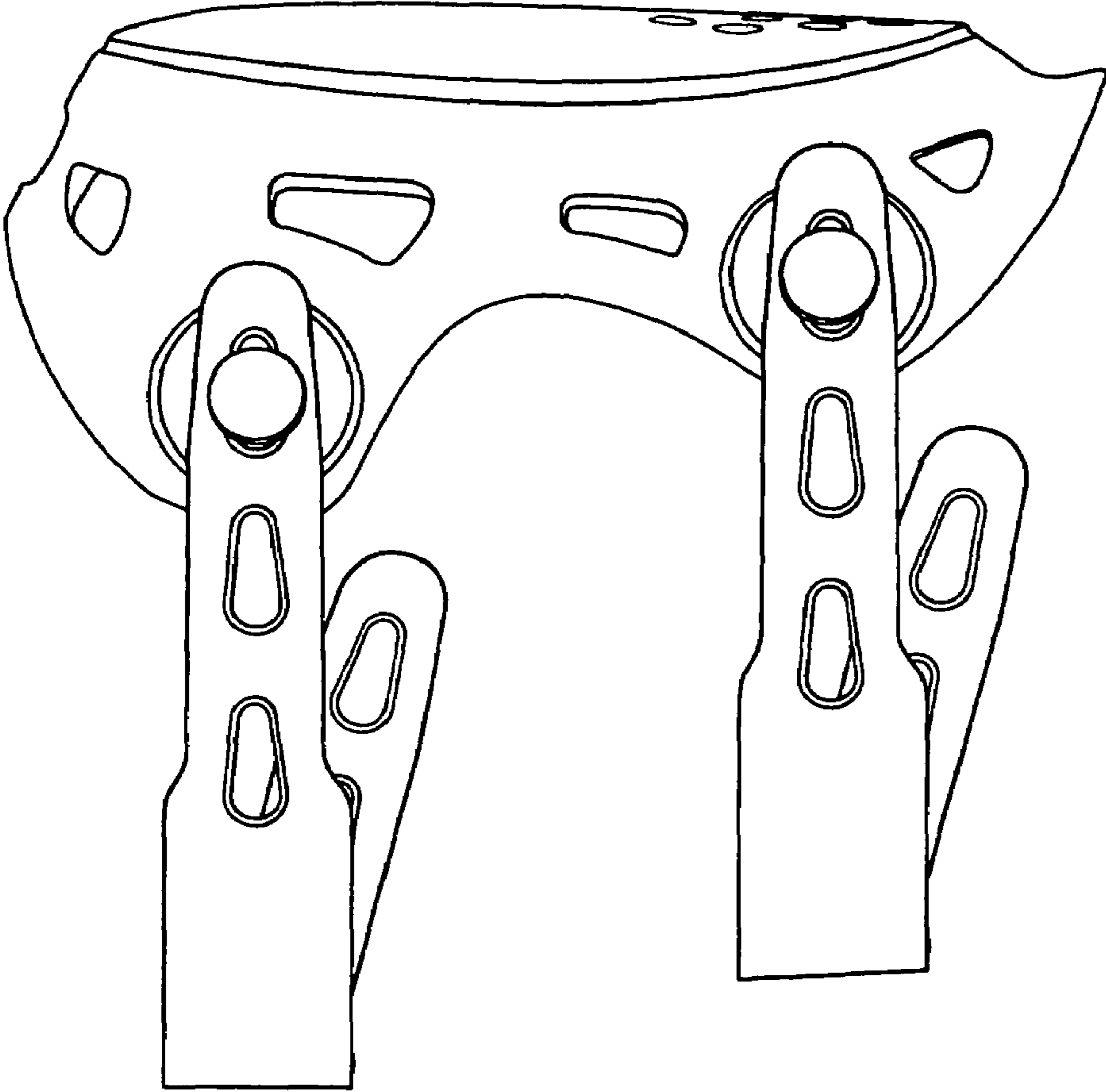


FIG 3

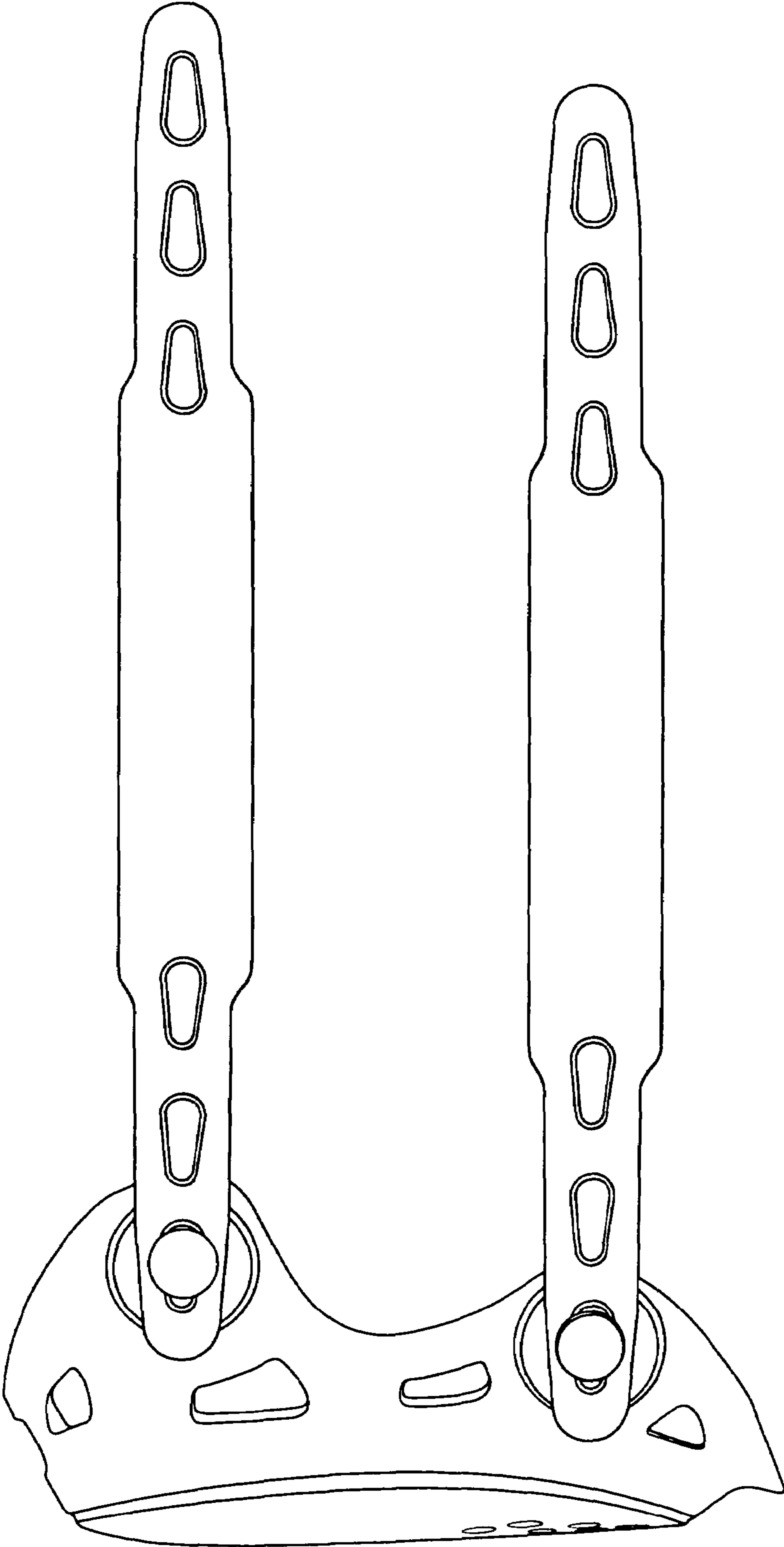


FIG 4

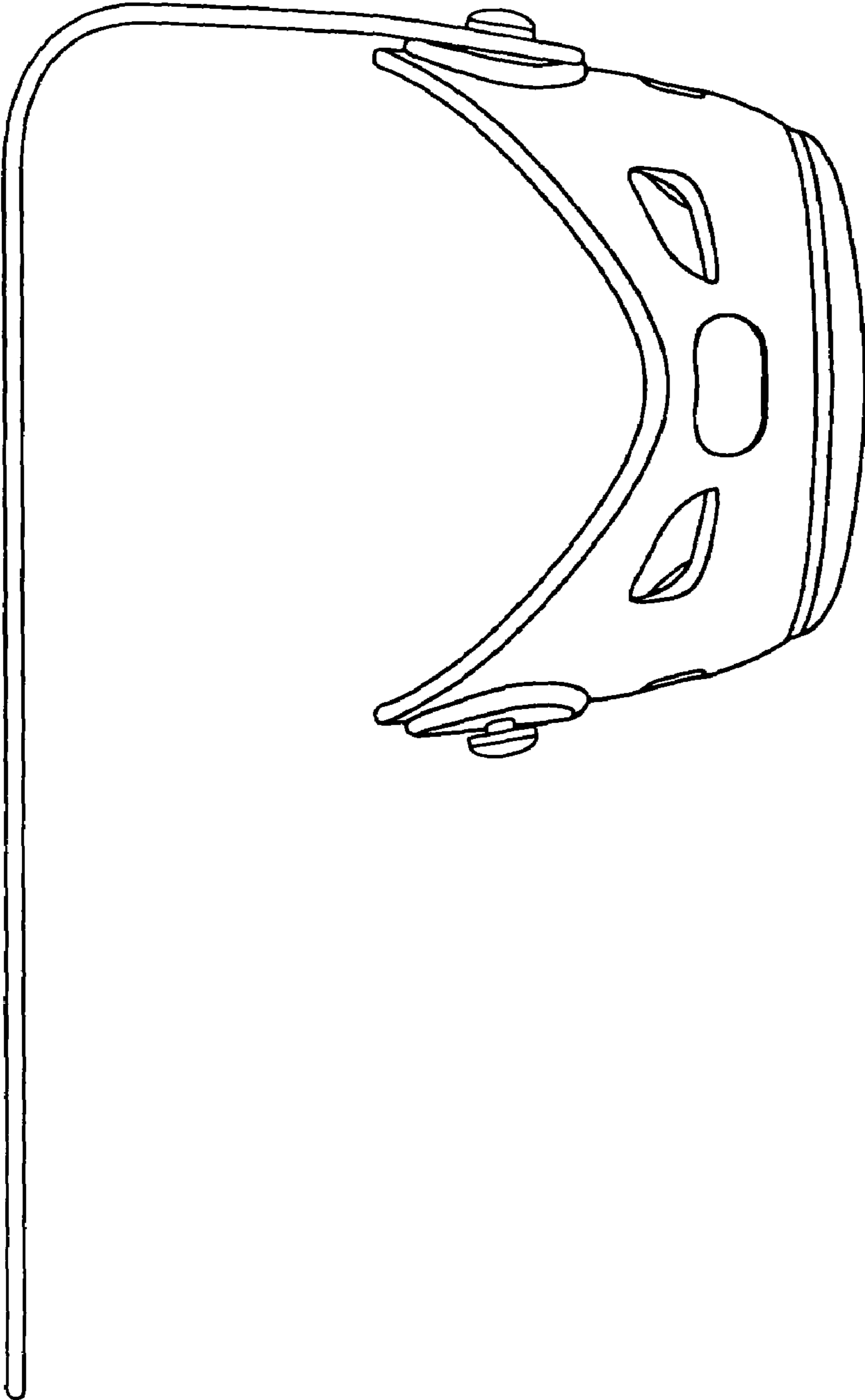


FIG 5

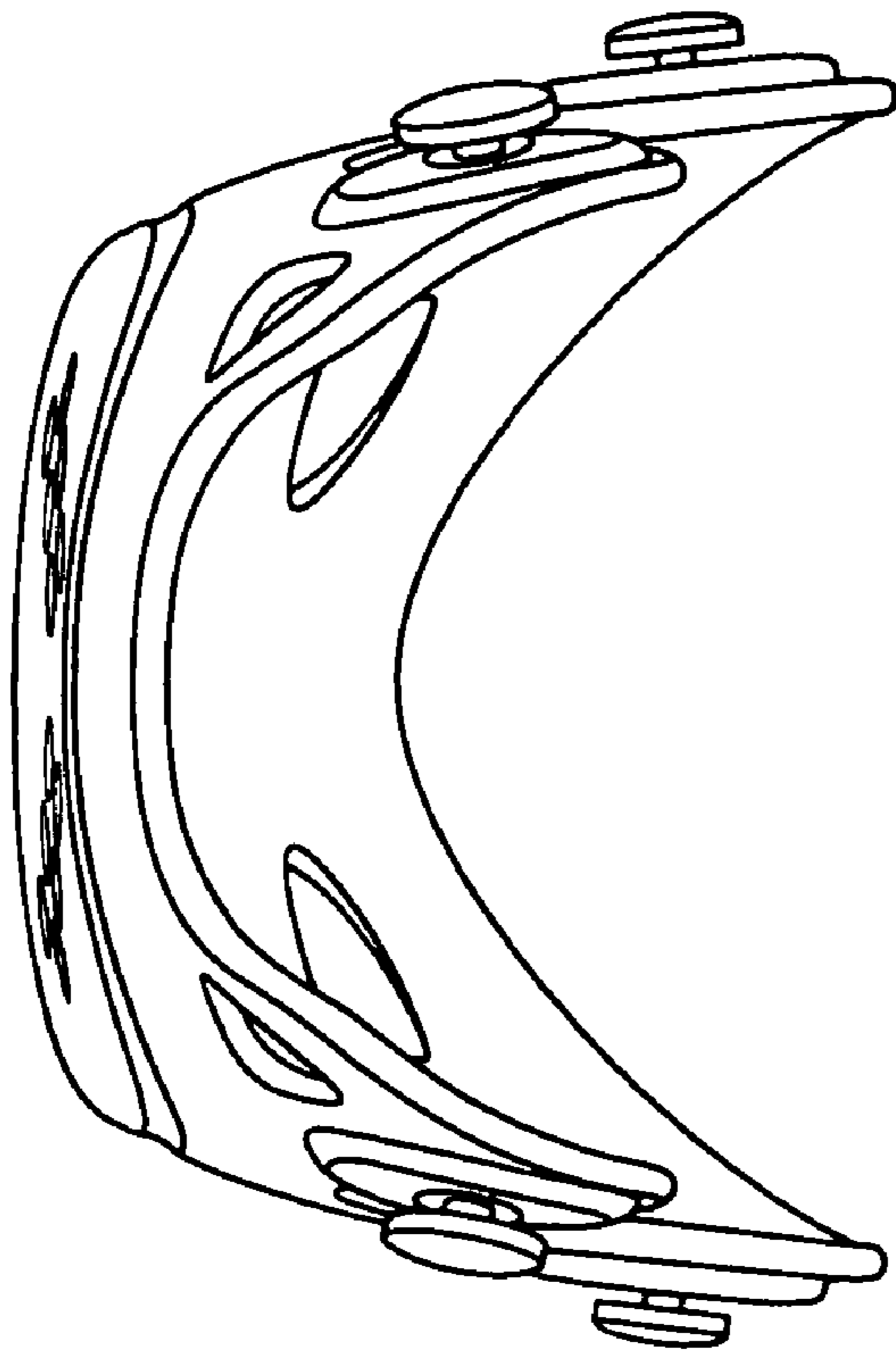


FIG 6

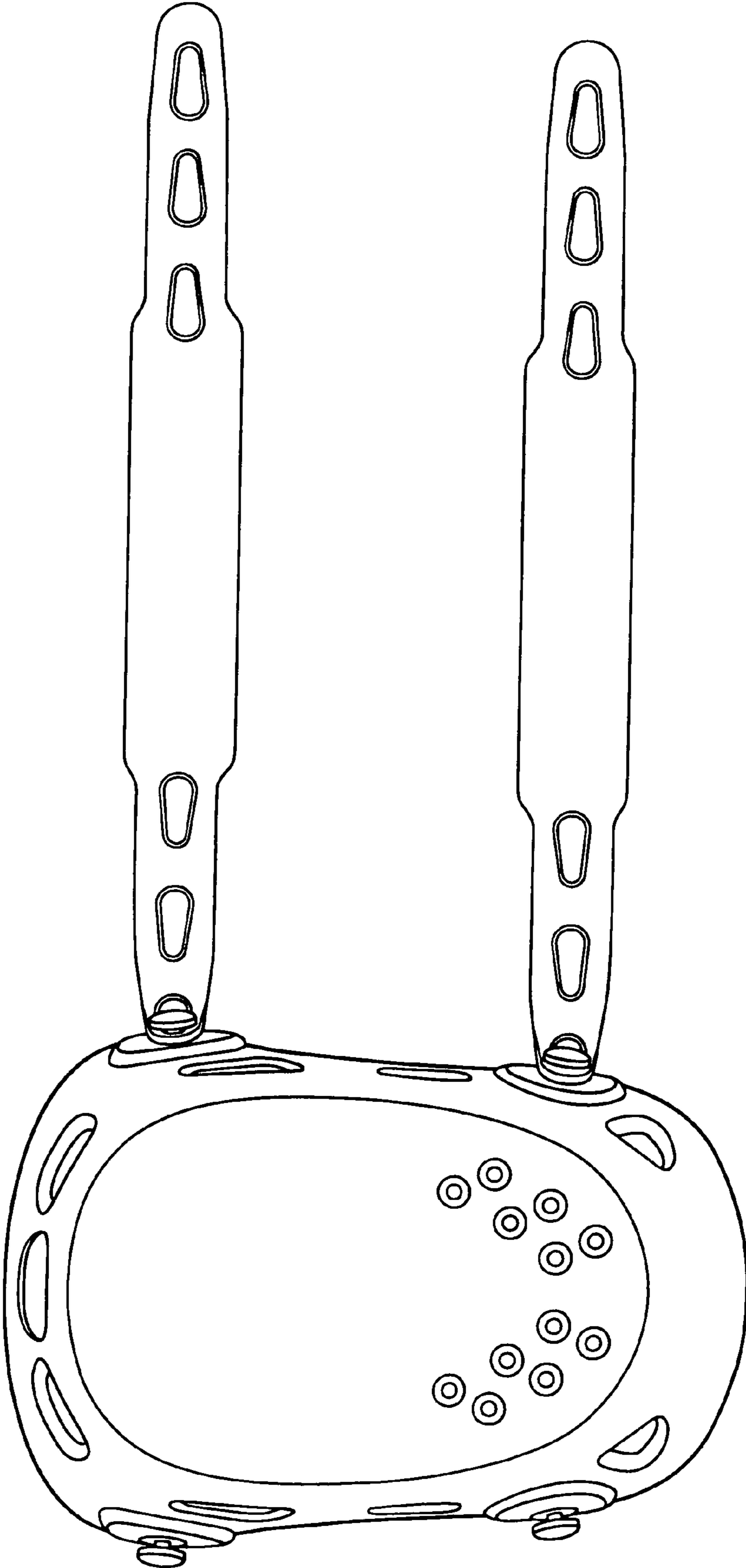


FIG 7