



US00D588306S

(12) **United States Design Patent**  
**Chan**

(10) **Patent No.:** **US D588,306 S**  
(45) **Date of Patent:** **\*\* Mar. 10, 2009**

- (54) **WALL SCONCE**
- (75) Inventor: **Erik S. Chan**, Orinda, CA (US)
- (73) Assignee: **Boyd Lighting Fixture Company**, San Francisco, CA (US)
- (\*\*) Term: **14 Years**
- (21) Appl. No.: **29/325,495**
- (22) Filed: **Oct. 1, 2008**

D481,150 S	10/2003	Lee	
D487,530 S *	3/2004	Hsu	..... D26/92
D487,815 S	3/2004	Hoernig	
D506,849 S *	6/2005	Parres	..... D26/145
D514,246 S *	1/2006	Hoernig	..... D26/87
D518,593 S	4/2006	Lee	
D535,427 S *	1/2007	Chandler	..... D26/87
2005/0201082 A1 *	9/2005	Mauk et al.	..... 362/147

**Related U.S. Application Data**

- (62) Division of application No. 29/280,862, filed on Jun. 8, 2007, now Pat. No. Des. 583,094.

- (51) **LOC (9) Cl.** ..... **26-99**
- (52) **U.S. Cl.** ..... **D26/155**
- (58) **Field of Classification Search** ..... D26/67,  
D26/2, 68, 87, 145, 155, 141, 138, 142, 92,  
D26/24, 72, 85, 86, 88, 93, 111, 113, 143,  
D26/144, 147, 149, 150, 152, 153; 362/612,  
362/145, 147, 151, 153, 153.1, 257, 296,  
362/311, 351, 370, 382, 410, 414, 431, 432  
See application file for complete search history.

**References Cited**

**U.S. PATENT DOCUMENTS**

D262,321 S	12/1981	Kvasnicka	
D367,335 S *	2/1996	Kay	..... D26/92
D380,851 S *	7/1997	Dolan	..... D26/92
D441,125 S *	4/2001	Crosby	..... D26/87
D448,881 S *	10/2001	Lin	..... D26/87
D466,248 S	11/2002	Dolan	
D473,001 S	4/2003	Hoernig	
D473,005 S	4/2003	Hoernig	
D473,675 S	4/2003	Lee	

**OTHER PUBLICATIONS**

U.S. Appl. No. 29/254,494, Chan, Erik S., Wall Sconce, filed Oct. 1, 2008.  
U.S. Appl. No. 29/280,862, Chan, Erik S., Wall Sconce, filed Jun. 8, 2007.

\* cited by examiner

*Primary Examiner*—Cathron C Brooks  
*Assistant Examiner*—Kevin K Rudzinski  
(74) *Attorney, Agent, or Firm*—Heslin Rothenberg Farley & Mesiti P.C.

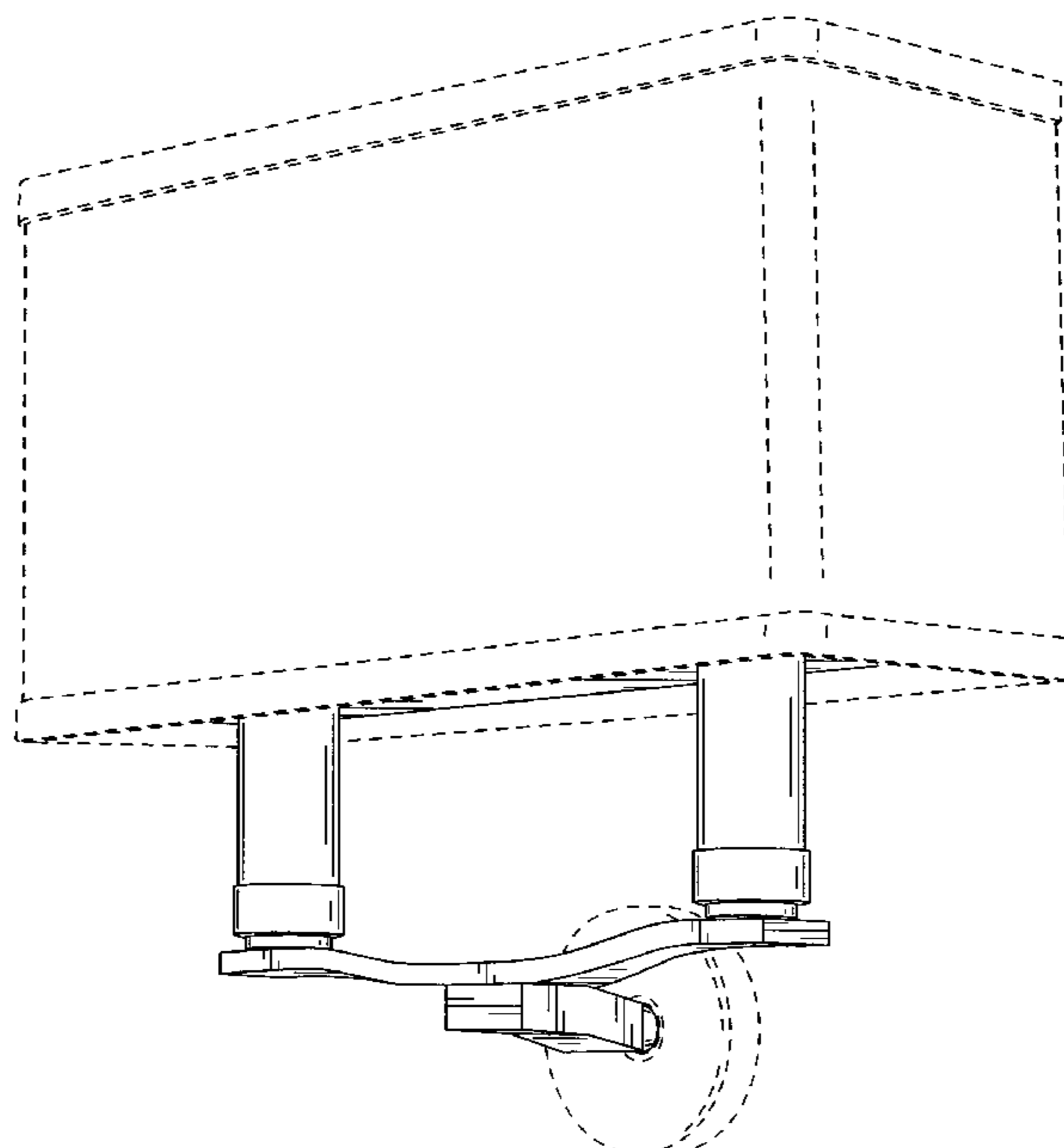
**CLAIM**

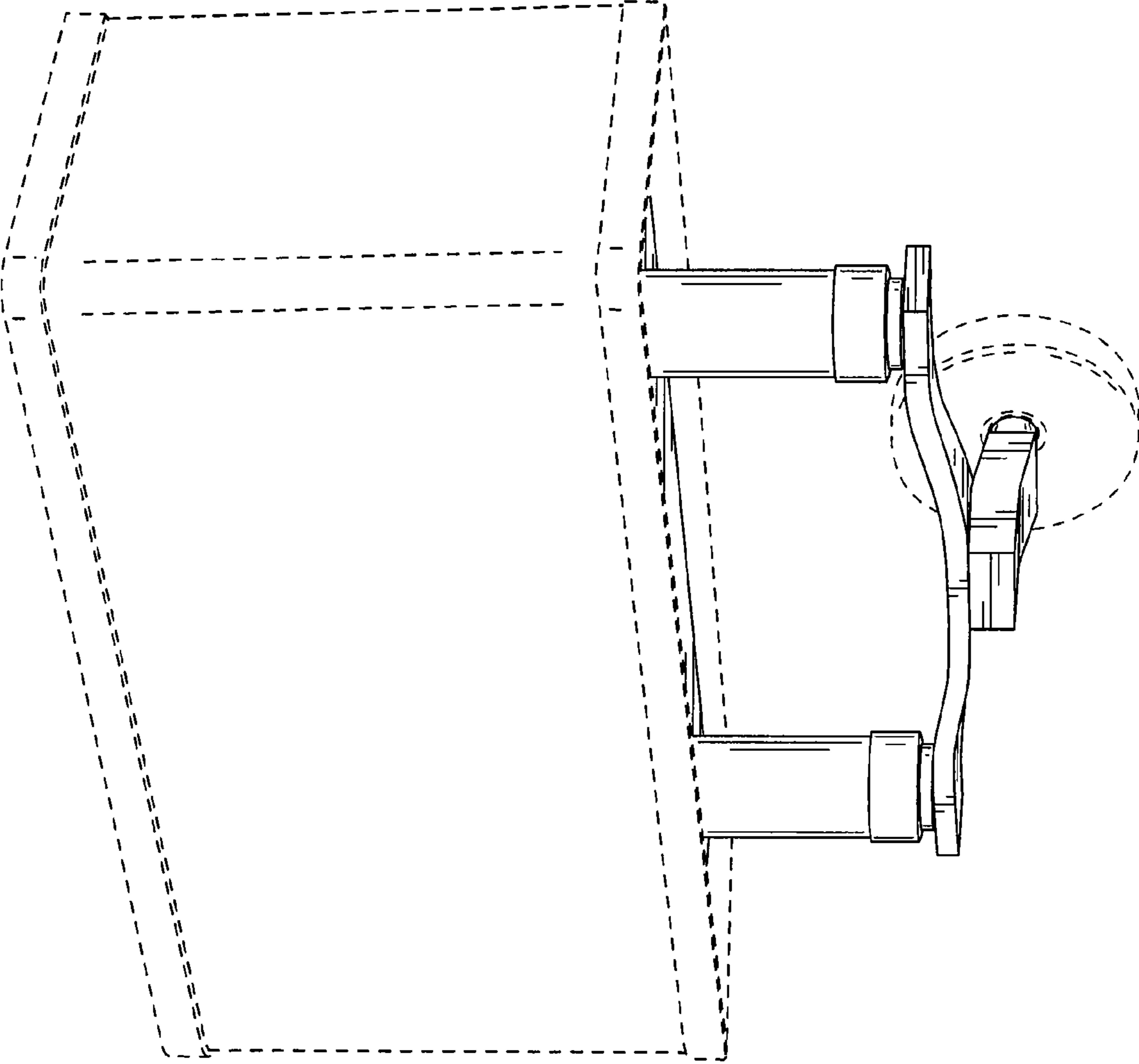
(57) The ornamental design for a wall sconce, as shown and described.

**DESCRIPTION**

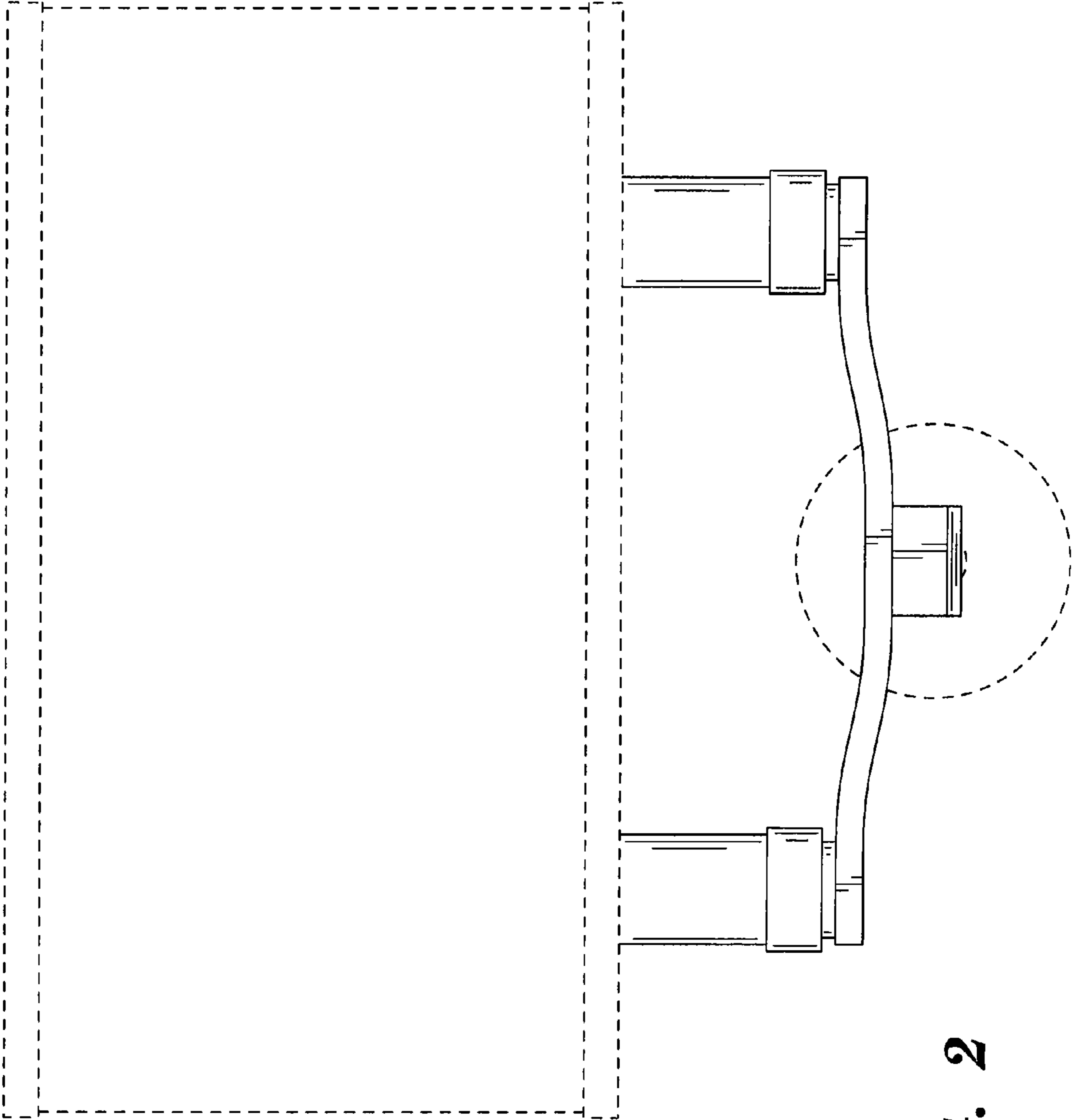
FIG. 1 is a perspective view of a wall sconce comprising the new design;  
FIG. 2 is a front elevational view thereof;  
FIG. 3 is a right side elevational view thereof, a left side elevational view being a mirror image thereof; and,  
FIG. 4 is bottom view thereof.  
The broken lines in the figures are for illustration purposes only and form no part of the claimed invention.

**1 Claim, 4 Drawing Sheets**

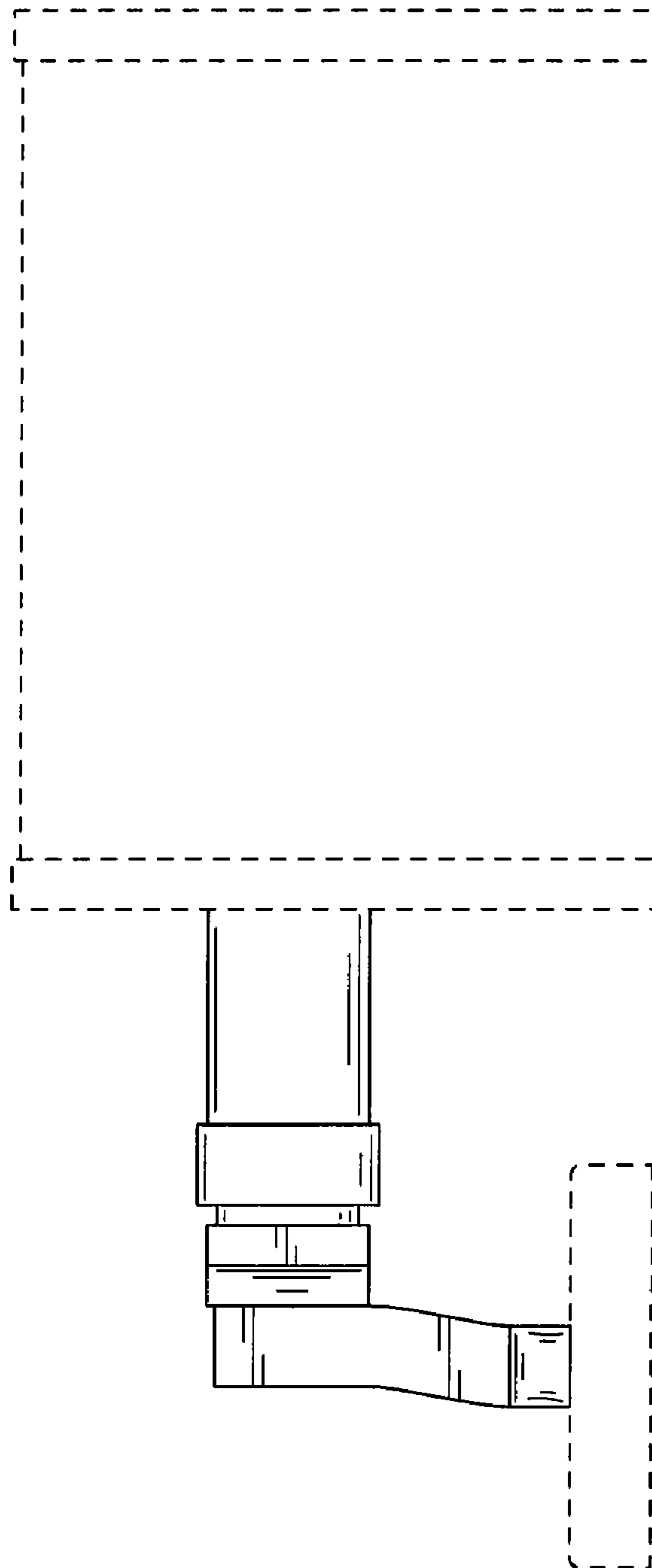




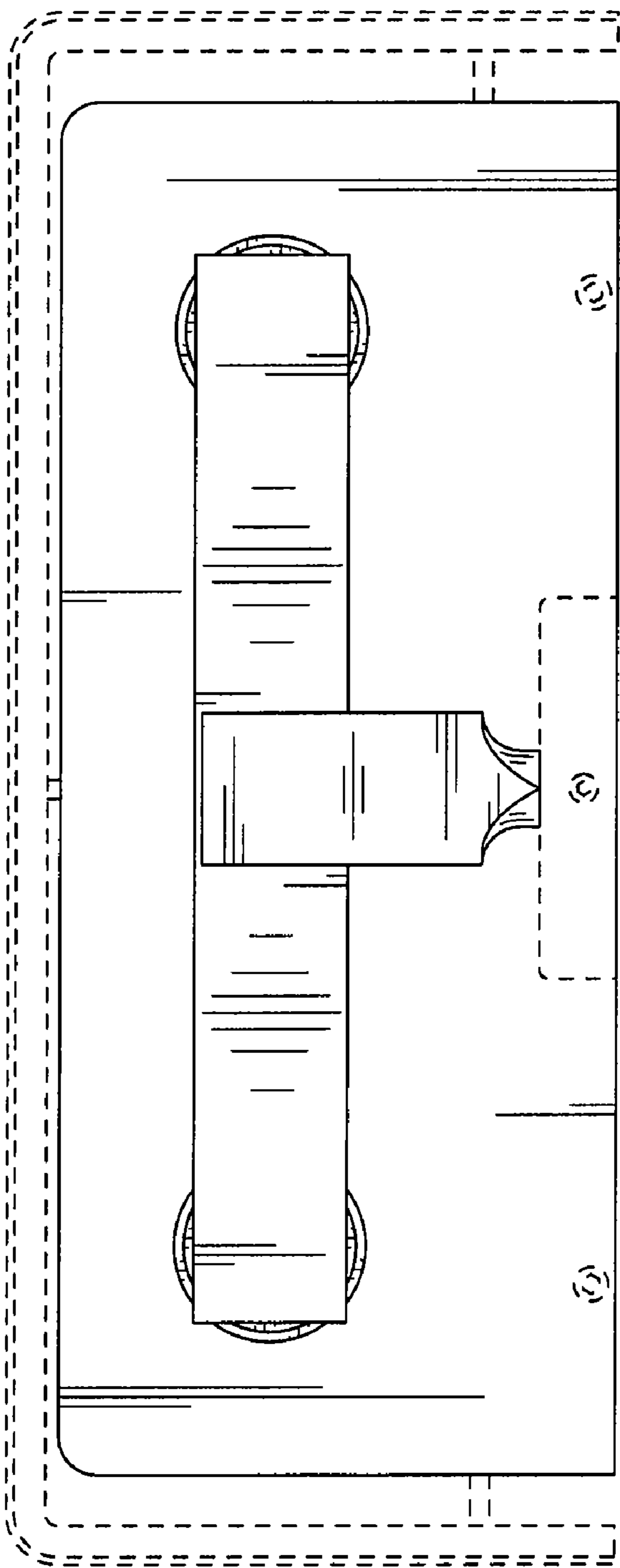
**FIG. 1**



**FIG. 2**



**FIG. 3**



**FIG. 4**