



US00D588305S

(12) **United States Design Patent**
Chan

(10) **Patent No.:** **US D588,305 S**
(45) **Date of Patent:** **** Mar. 10, 2009**

- (54) **WALL SCONCE**
- (75) Inventor: **Erik S. Chan**, Orinda, CA (US)
- (73) Assignee: **Boyd Lighting Fixture Company**, San Francisco, CA (US)
- (**) Term: **14 Years**
- (21) Appl. No.: **29/325,494**
- (22) Filed: **Oct. 1, 2008**

D481,150 S	10/2003	Lee	
D487,530 S *	3/2004	Hsu D26/92
D487,815 S	3/2004	Hoernig	
D506,849 S *	6/2005	Parres D26/145
D514,246 S *	1/2006	Hoernig D26/87
D518,593 S	4/2006	Lee	
D535,427 S *	1/2007	Chandler D26/87
2005/0201082 A1 *	9/2005	Mauk et al. 362/147

Related U.S. Application Data

- (62) Division of application No. 29/280,862, filed on Jun. 8, 2007, now Pat. No. Des. 583,094.

- (51) **LOC (9) Cl.** **26-99**
- (52) **U.S. Cl.** **D26/155**
- (58) **Field of Classification Search** D26/67,
D26/2, 68, 87, 145, 155, 141, 138, 142, 92,
D26/24, 72, 85, 86, 88, 93, 111, 113, 143,
D26/144, 147, 149, 150, 152, 153; 362/612,
362/145, 147, 151, 153, 153.1, 257, 296,
362/311, 351, 370, 382, 410, 414, 431, 432
See application file for complete search history.

(56) **References Cited**

U.S. PATENT DOCUMENTS

D262,321 S	12/1981	Kvasnicka	
D380,851 S *	7/1997	Dolan D26/92
D441,125 S *	4/2001	Crosby D26/87
D448,881 S *	10/2001	Lin D26/87
D466,248 S	11/2002	Dolan	
D473,001 S	4/2003	Hoernig	
D473,005 S	4/2003	Hoernig	
D473,675 S	4/2003	Lee	

OTHER PUBLICATIONS

U.S. Appl. No. 29/325,495, Chan, Erik S., Wall Sconce, filed Oct. 1, 2008.
U.S. Appl. No. 29/280,862, Chan, Erik S., Wall Sconce, filed Jun. 8, 2007.

* cited by examiner

Primary Examiner—Cathron C Brooks

Assistant Examiner—Kevin K Rudzinski

(74) *Attorney, Agent, or Firm*—Heslin Rothenberg Farley & Mesiti P.C.

(57) **CLAIM**

The ornamental design for a wall sconce, as shown and described.

DESCRIPTION

FIG. 1 is a perspective view of a wall sconce comprising the new design;

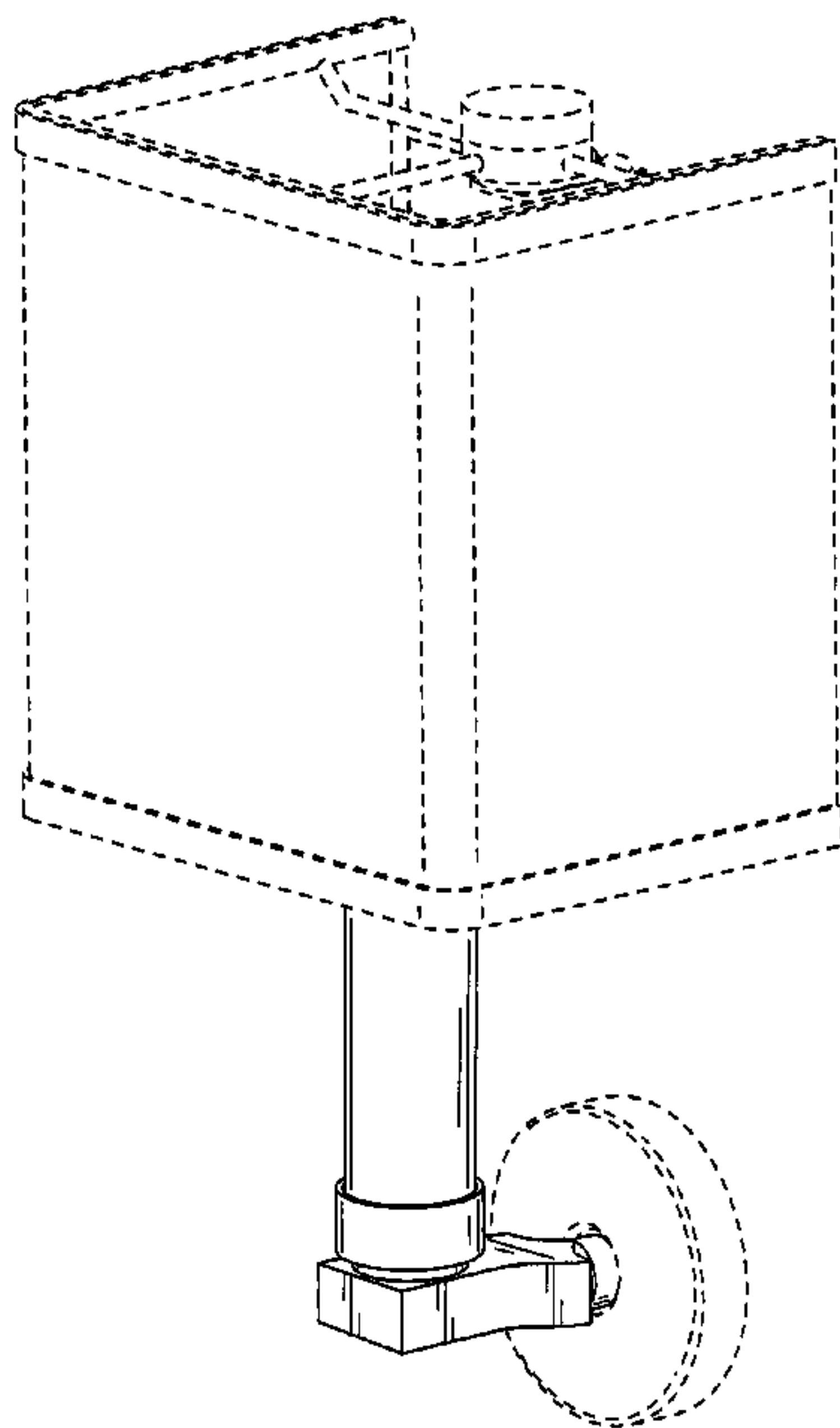
FIG. 2 is a front elevational view thereof;

FIG. 3 is a right side elevational view thereof, a left side elevational view being a mirror image thereof; and,

FIG. 4 is bottom view thereof.

The broken lines in the figures are for illustration purposes only and form no part of the claimed invention.

1 Claim, 4 Drawing Sheets



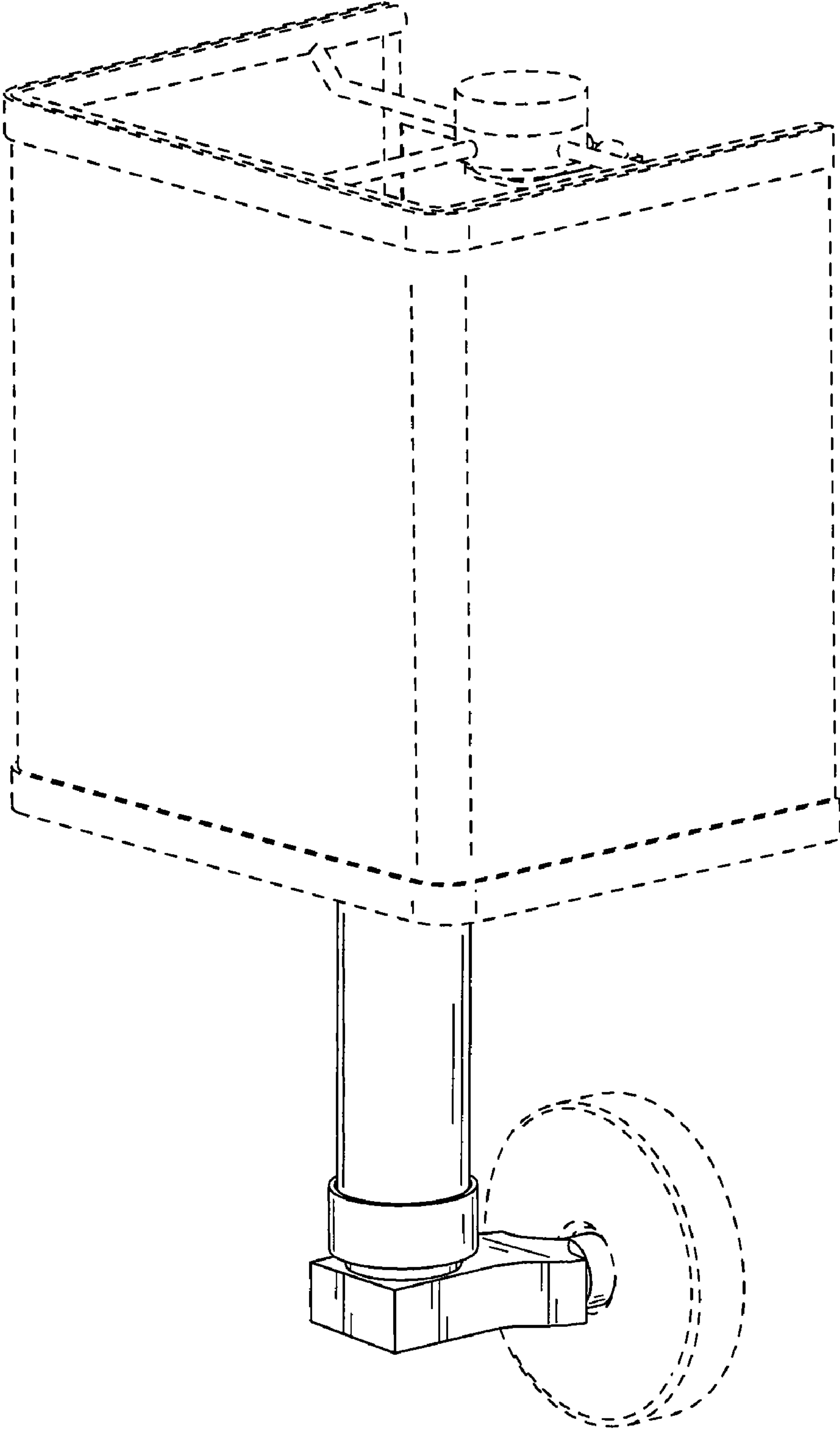


FIG. 1

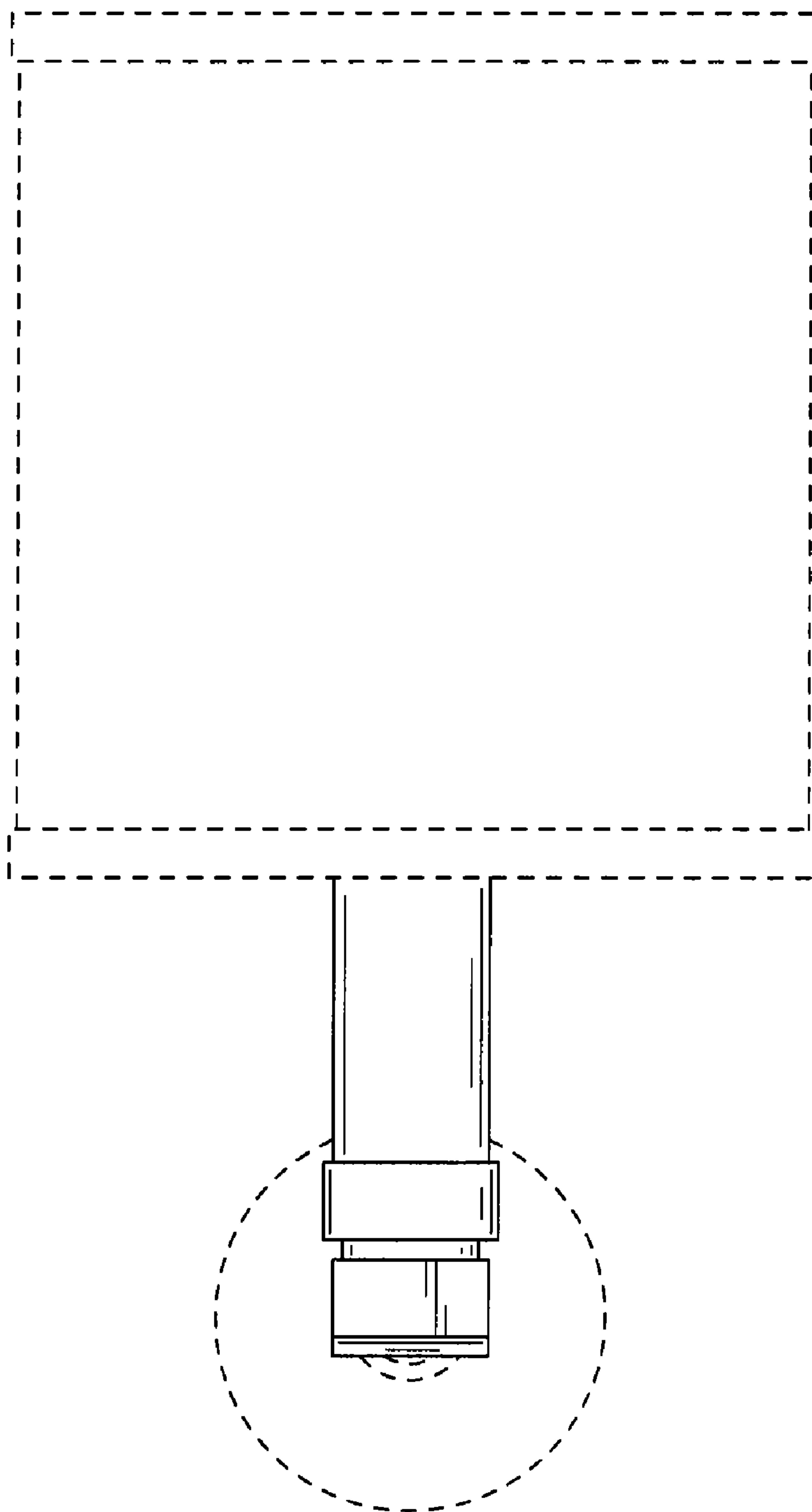


FIG. 2

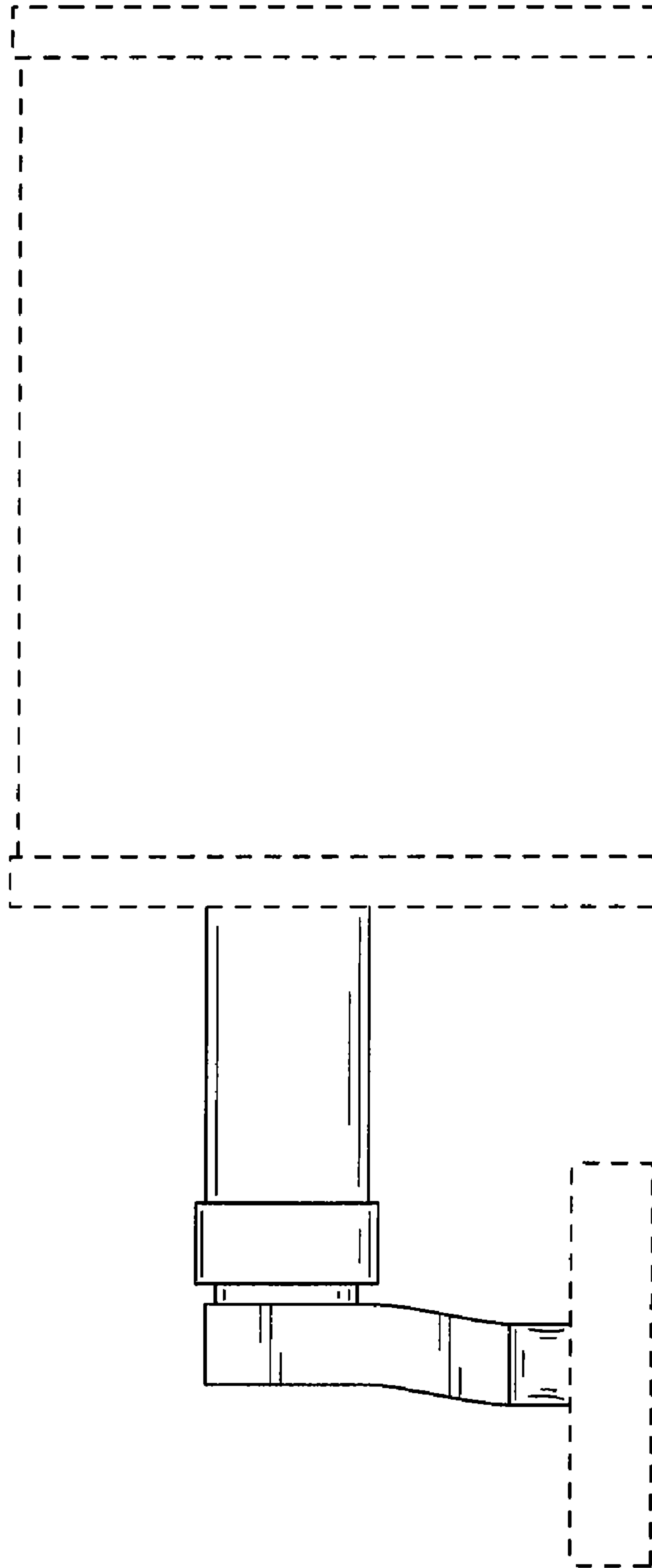


FIG. 3

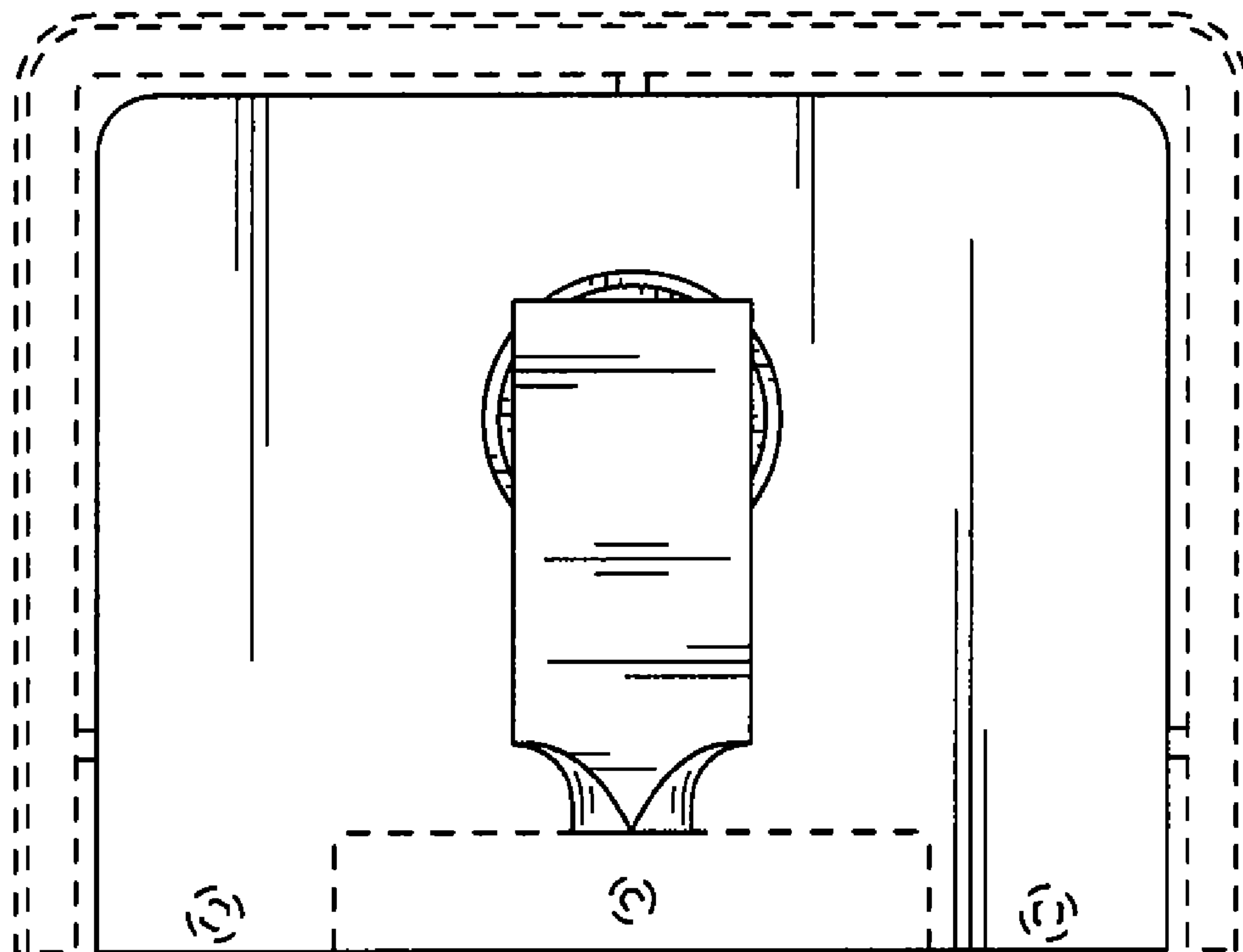


FIG. 4