



US00D588302S

(12) **United States Design Patent**
Chen

(10) **Patent No.:** **US D588,302 S**

(45) **Date of Patent:** **** Mar. 10, 2009**

(54) **TABLE LAMP**

D549,386 S * 8/2007 Zulloff D26/93
D570,031 S * 5/2008 Collins et al. D26/93

(75) Inventor: **Chin-Hsi Chen**, Tanshui Town (TW)

* cited by examiner

(73) Assignee: **Home Resource Ind. Co., Ltd.**, Taipei
County (TW)

Primary Examiner—Brian N Vinson

(74) *Attorney, Agent, or Firm*—Rosenberg, Klein & Lee

(**) Term: **14 Years**

(57) **CLAIM**

(21) Appl. No.: **29/271,873**

The ornamental design for a table lamp, as shown and described.

(22) Filed: **Jan. 29, 2007**

(51) **LOC (9) Cl.** **26-01**

(52) **U.S. Cl.** **D26/93**

(58) **Field of Classification Search** D26/24,
D26/26, 67, 93, 104, 105, 106, 118; 362/3,
362/153, 186, 217, 255, 257, 277, 317, 351,
362/353, 362, 363, 382, 431, 433, 458, 806
See application file for complete search history.

DESCRIPTION

FIG. 1 is a top and left side perspective view of a table lamp showing my new design;

FIG. 2 is a front elevational view thereof;

FIG. 3 is a rear elevational view thereof;

FIG. 4 is a left side elevational view thereof;

FIG. 5 is a right side elevational view thereof;

FIG. 6 is a top plan view thereof;

FIG. 7 is a bottom plan view thereof; and,

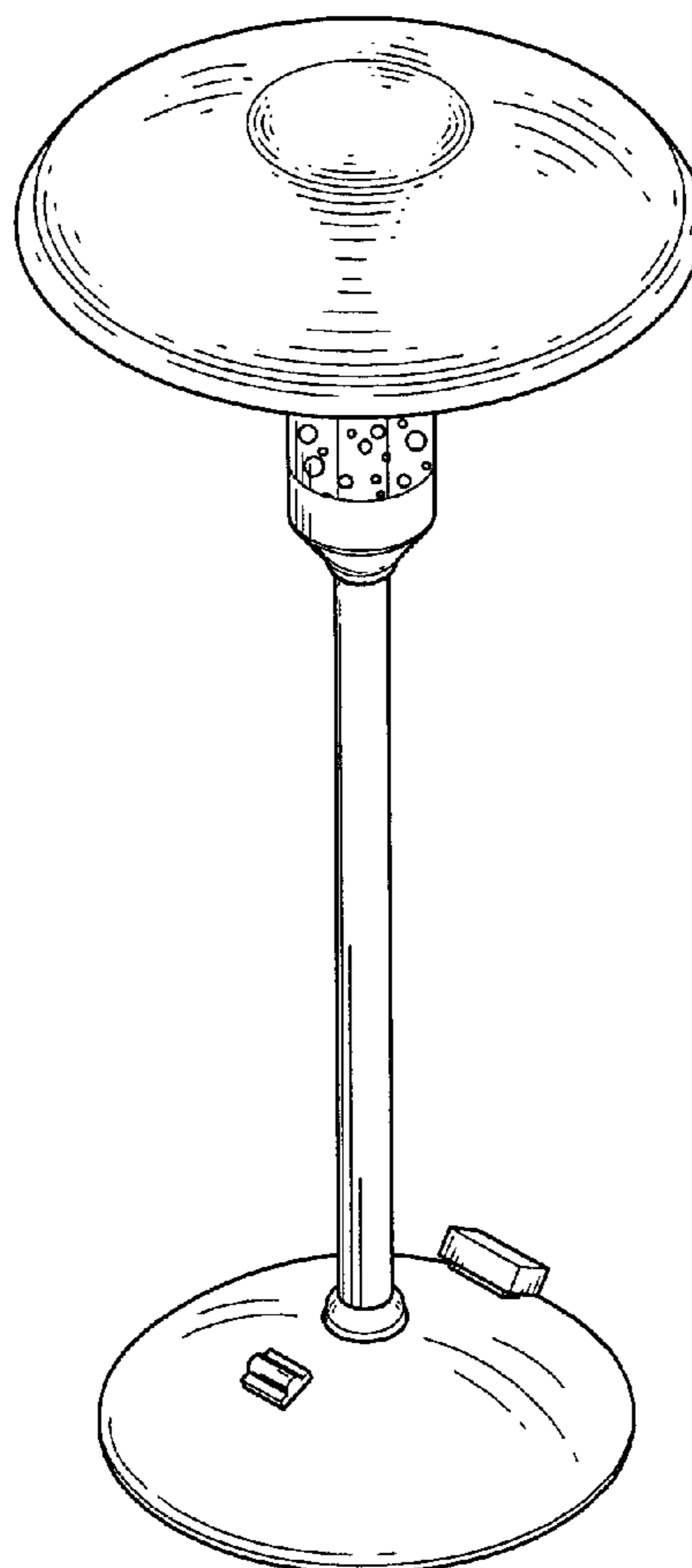
FIG. 8 is a bottom and left side perspective view thereof, with the broken lines portions shown being for illustrative purposes only and forming no part of the claimed design.

(56) **References Cited**

U.S. PATENT DOCUMENTS

D334,441 S * 3/1993 Nicolin D26/106
D354,582 S * 1/1995 Stromberg D26/106
D368,547 S * 4/1996 Chen D26/93
D368,548 S * 4/1996 Lee D26/106
D469,563 S * 1/2003 Irvine D26/108

1 Claim, 7 Drawing Sheets



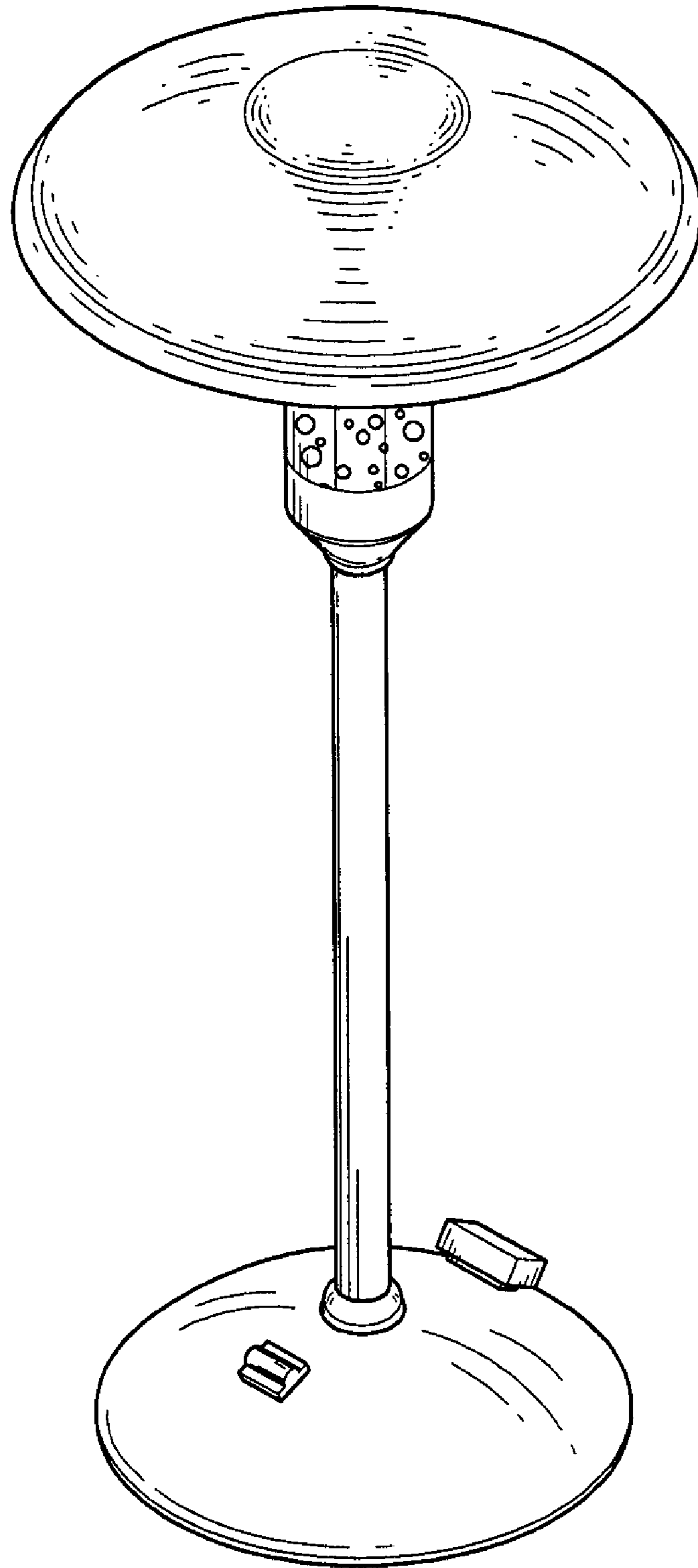


FIG.1

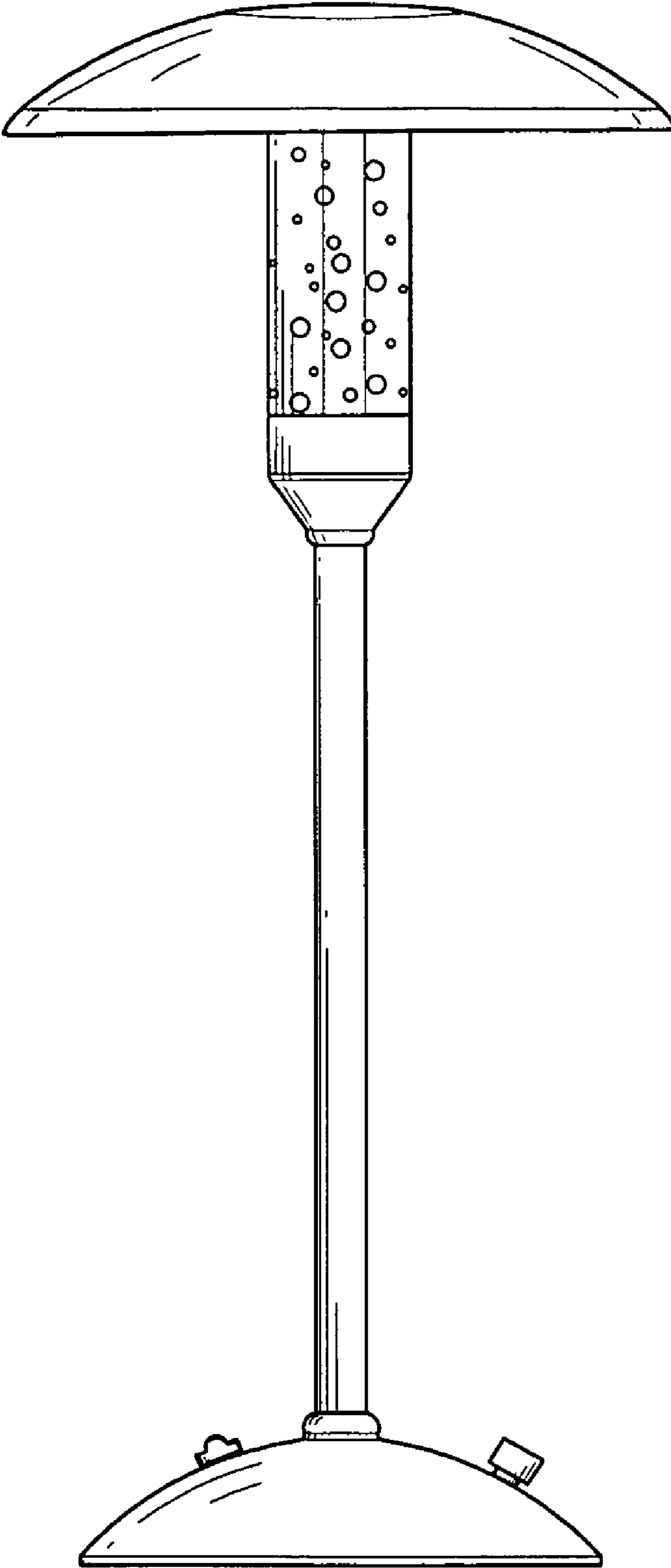


FIG.2

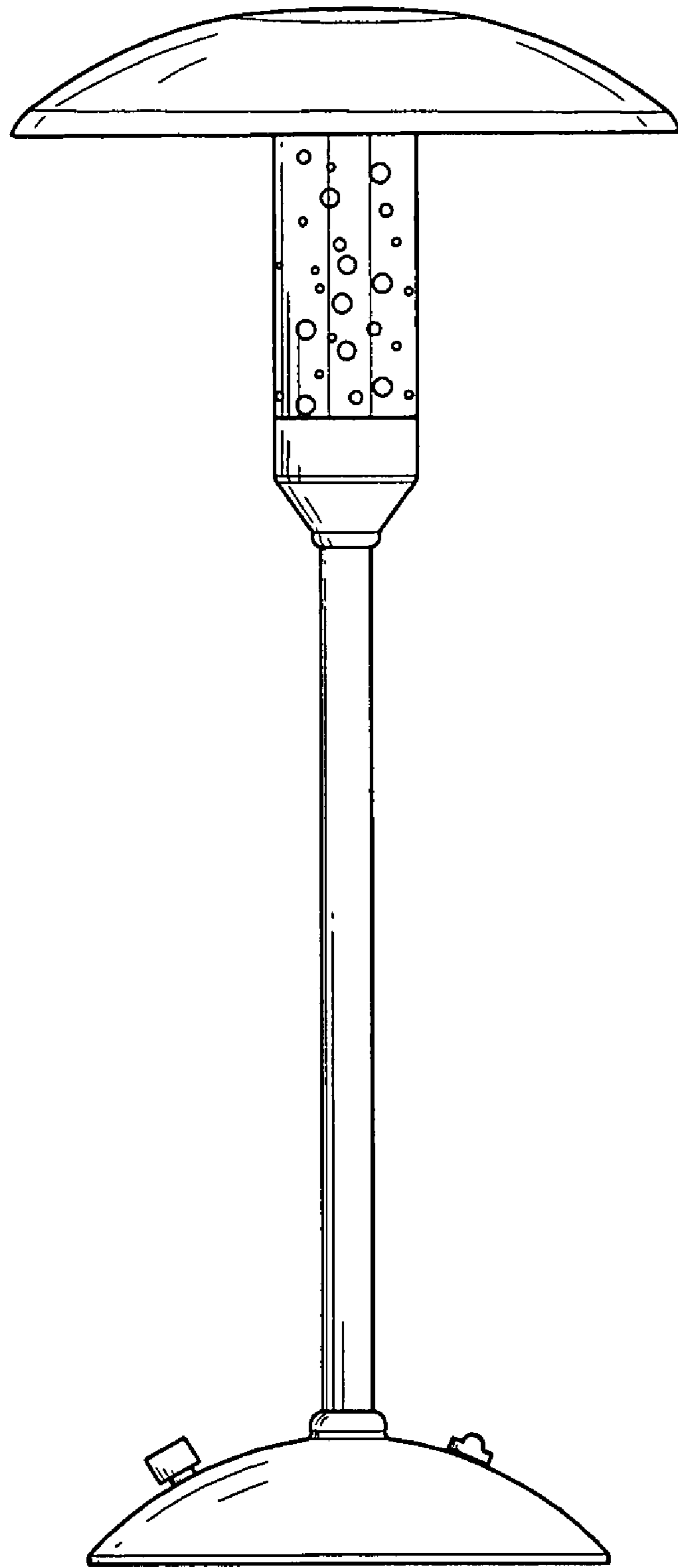


FIG. 3

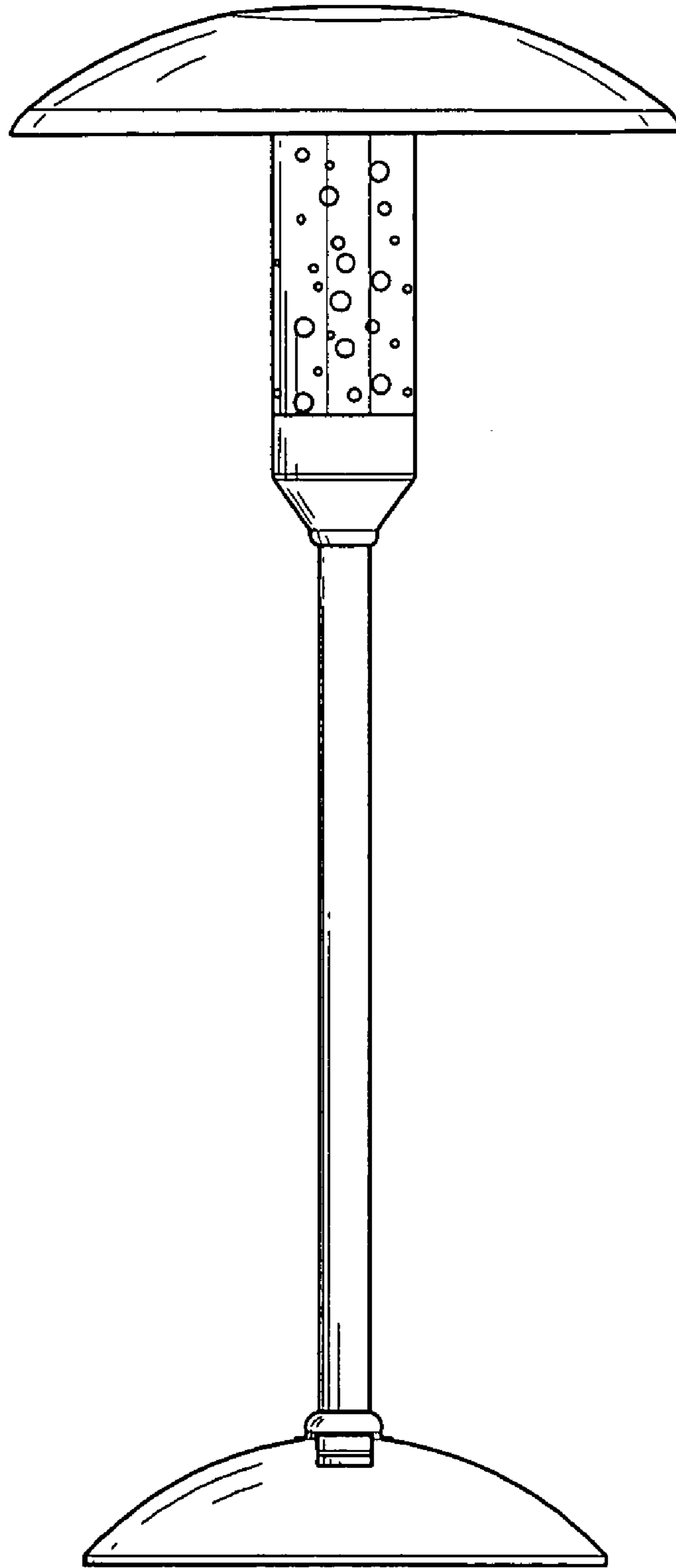


FIG.4

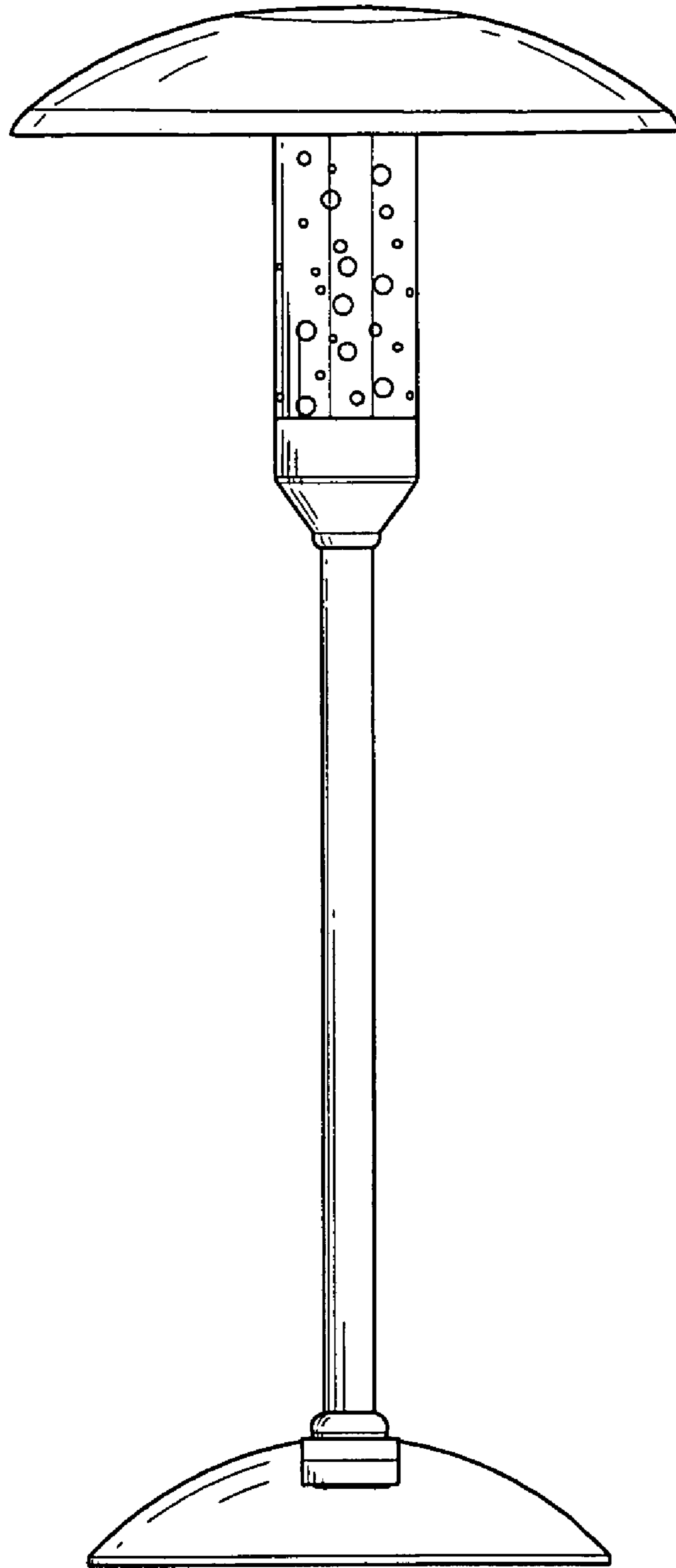


FIG.5

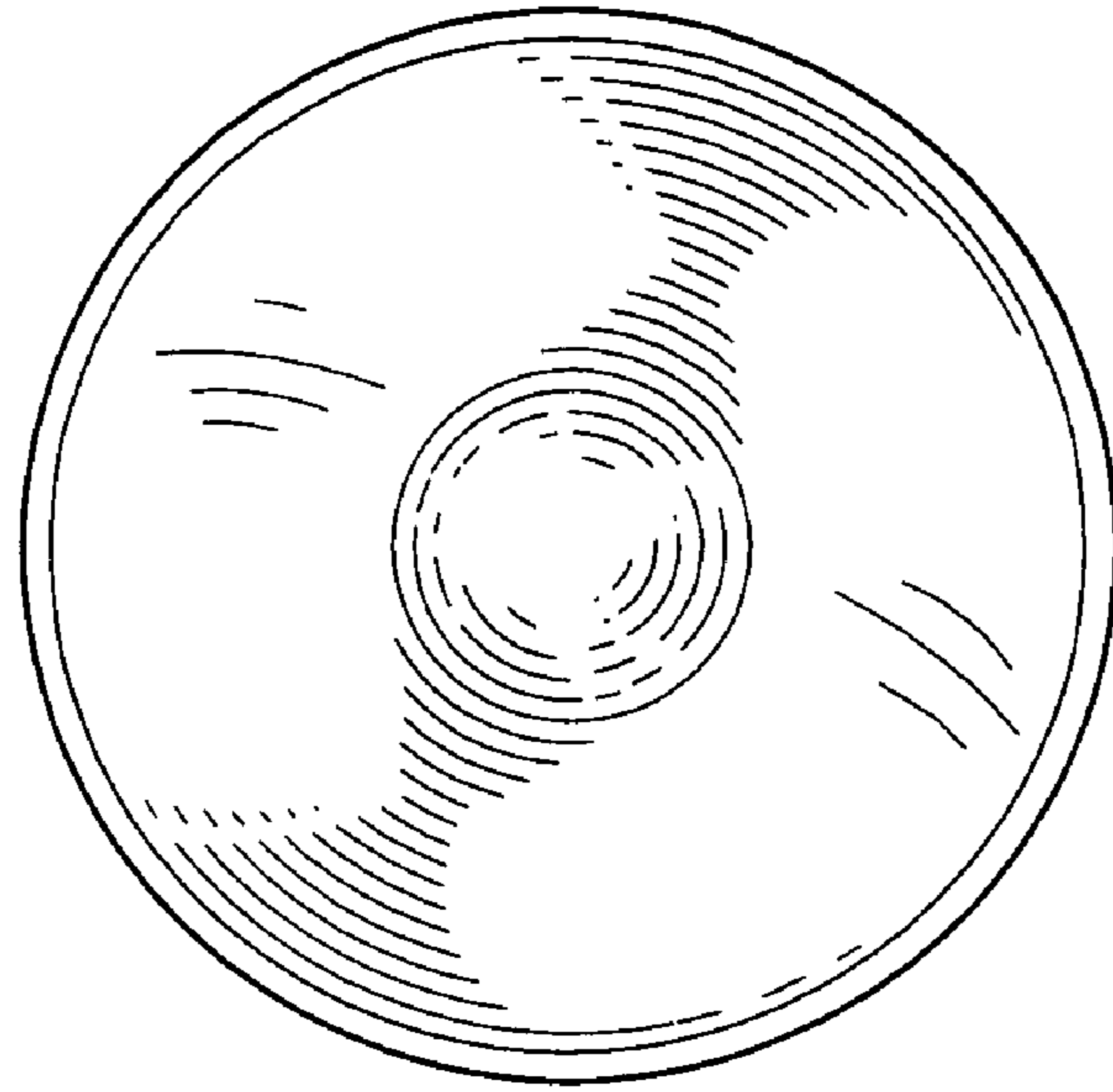


FIG. 6

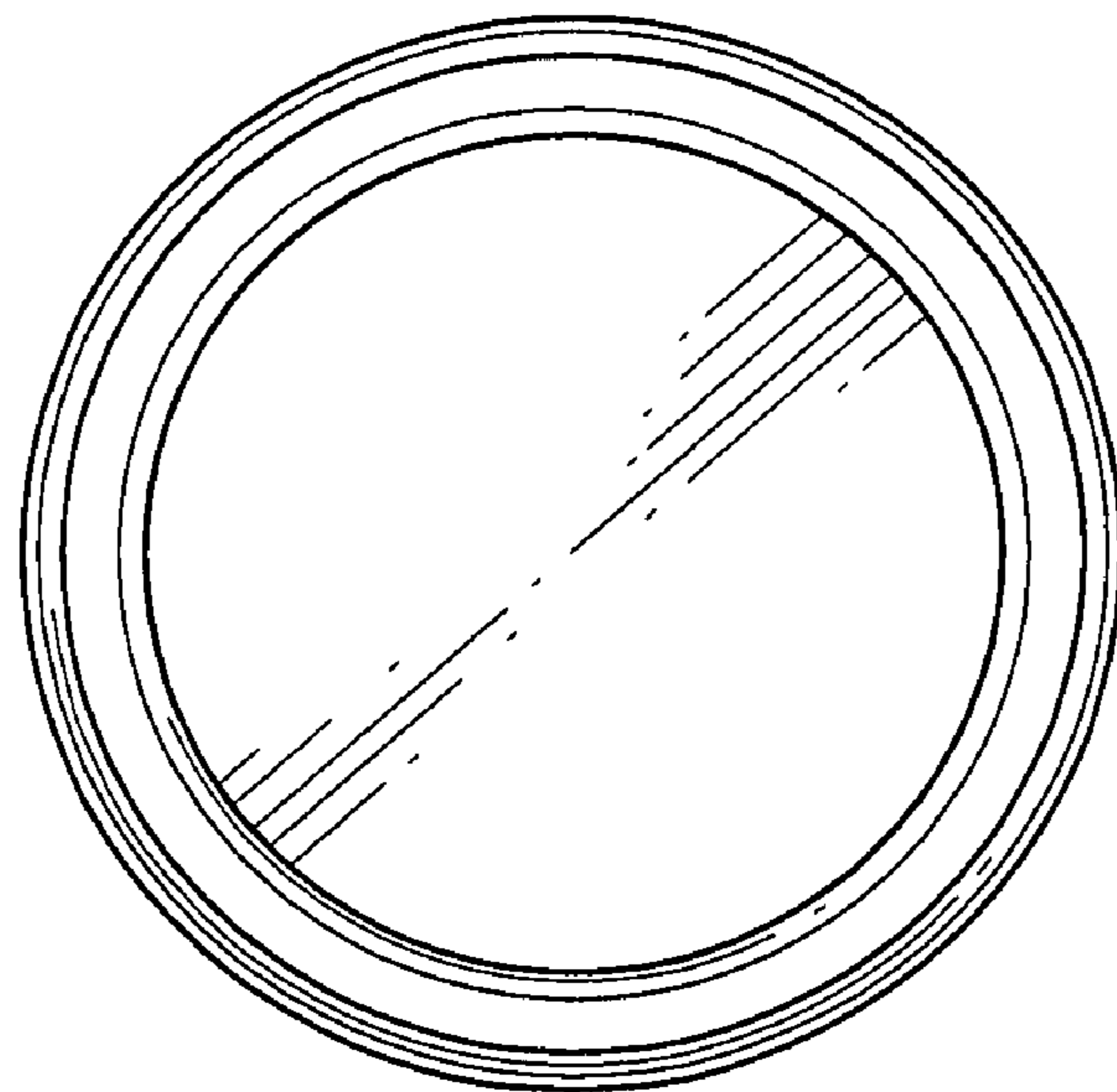


FIG. 7

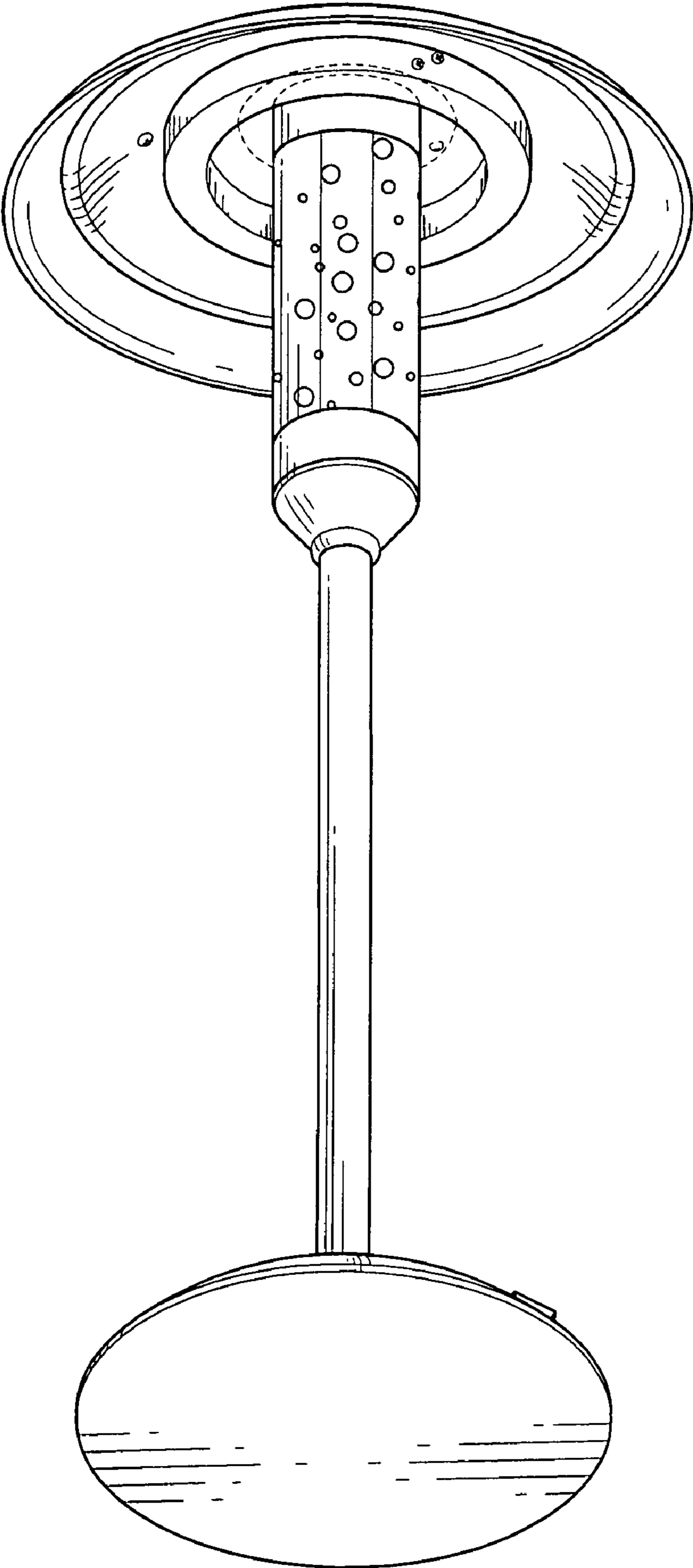


FIG.8