



US00D588301S

(12) **United States Design Patent**
Sabernig

(10) **Patent No.:** **US D588,301 S**
(45) **Date of Patent:** **** Mar. 10, 2009**

(54) **LIGHT FIXTURE**

(75) Inventor: **Robert Sabernig**, Munster (AT)

(73) Assignee: **EGLO Leuchten GmbH**, Innsbruck (AT)

(**) Term: **14 Years**

(21) Appl. No.: **29/322,804**

(22) Filed: **Aug. 12, 2008**

(51) **LOC (9) Cl.** **26-03**

(52) **U.S. Cl.** **D26/90; D26/88**

(58) **Field of Classification Search** D26/59,
D26/72, 86-91; D23/377; 362/147, 404,
362/806

See application file for complete search history.

(56) **References Cited**

U.S. PATENT DOCUMENTS

D178,212	S	*	7/1956	Schreckenengost	D26/89
2,916,250	A	*	12/1959	Wolar	362/407
3,042,742	A	*	7/1962	Foster	D26/88
D232,050	S	*	7/1974	Gore et al.	D26/88
D242,943	S	*	1/1977	Lazerson	D26/88
D367,937	S	*	3/1996	Dolan	D26/88
D370,545	S	*	6/1996	Porter	D26/88
D371,623	S	*	7/1996	Benghozi	D26/88
D473,006	S	*	4/2003	Lara	D26/88
D556,939	S	*	12/2007	Gajewski et al.	D26/89

* cited by examiner

Primary Examiner—Clare E Heflin

(74) *Attorney, Agent, or Firm*—Baker & McKenzie LLP

(57) **CLAIM**

The ornamental design for a light fixture, as shown and described.

DESCRIPTION

FIG. 1 is a fragmentary top perspective view of a light fixture in accordance with my design with the ceiling mount and upper portions of the suspension elements being omitted for ease of illustration only;

FIG. 2 is a bottom perspective view of the light fixture in accordance with my design;

FIG. 3 is a cross-sectional view of the light fixture taken along the line 3—3 in FIG. 5;

FIG. 4 is a bottom plan view of the light fixture in accordance with my design;

FIG. 5 is a fragmentary front elevation view of the light fixture in accordance with my design with the ceiling mount and upper portions of the suspension elements being omitted for ease of illustration only;

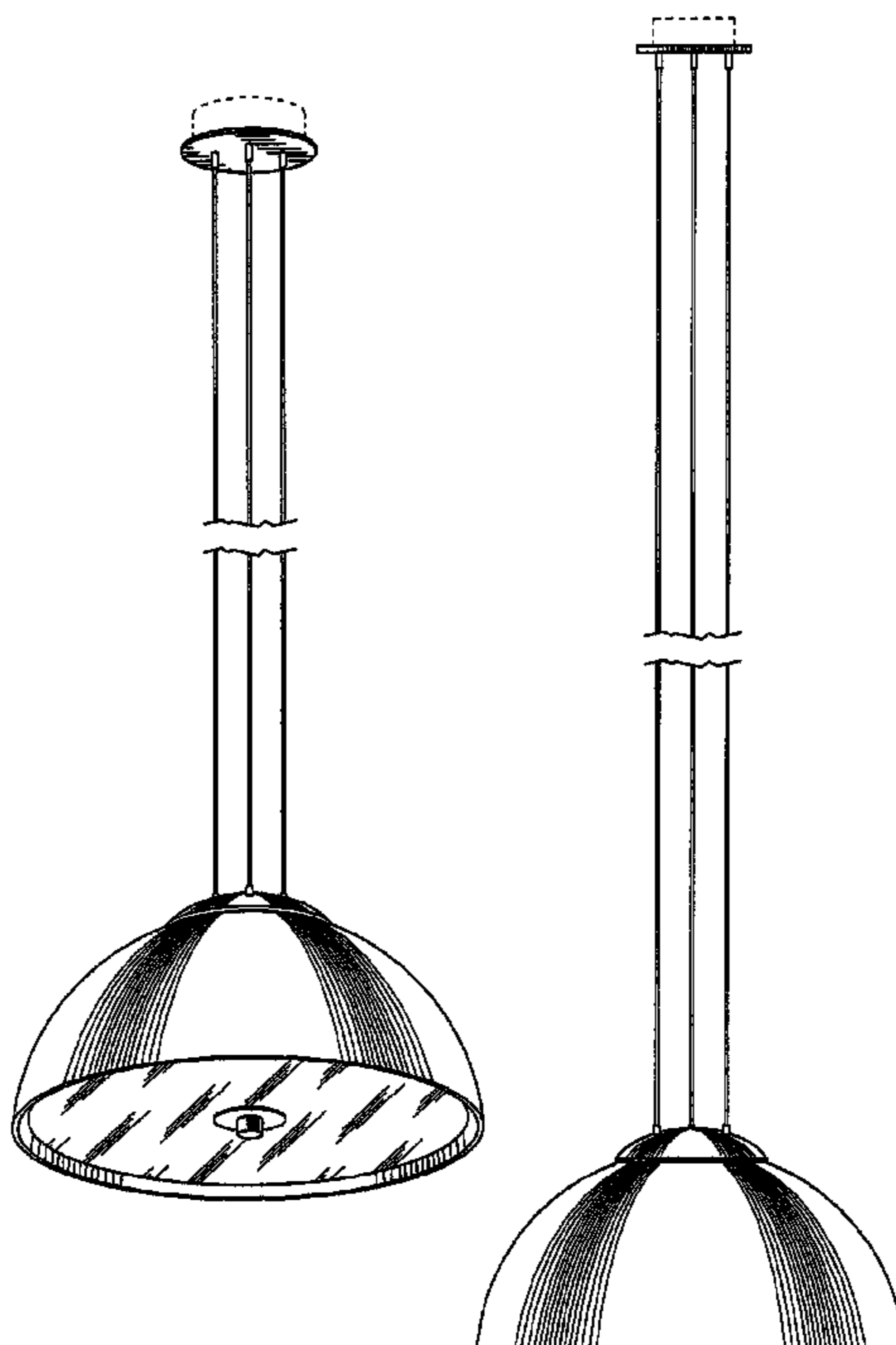
FIG. 6 is a rear elevation view of the light fixture in accordance with my design; and,

FIG. 7 is a side elevation view of the light fixture in accordance with my design the opposite side being a mirror image of that shown.

The light fixture of FIGS. 1, 2, and 5-7 is shown with a portion broken away to indicate indeterminate length.

The broken lines showing environmental structure are for illustrative purposes only and form no part of the claimed design.

1 Claim, 2 Drawing Sheets



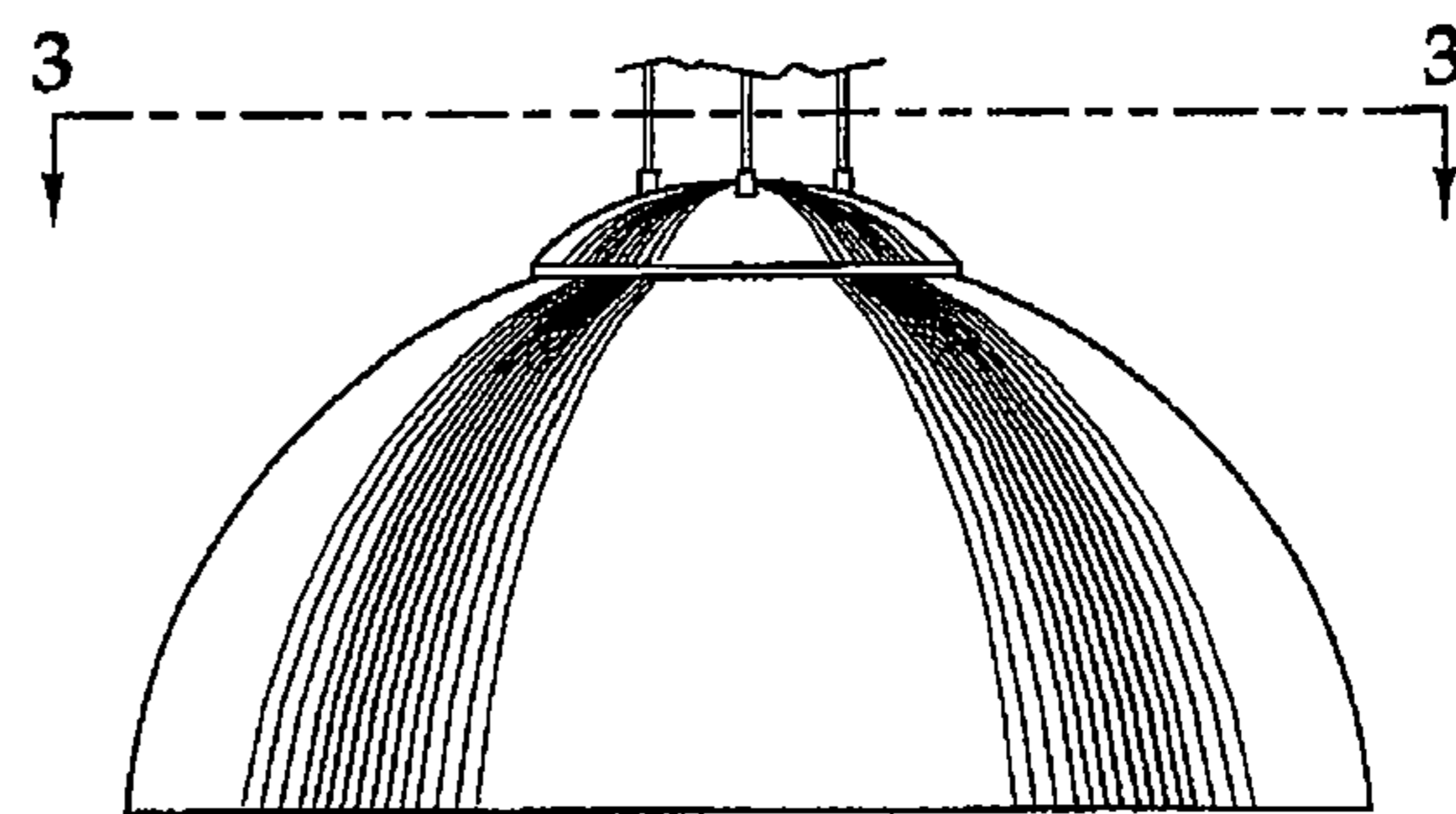
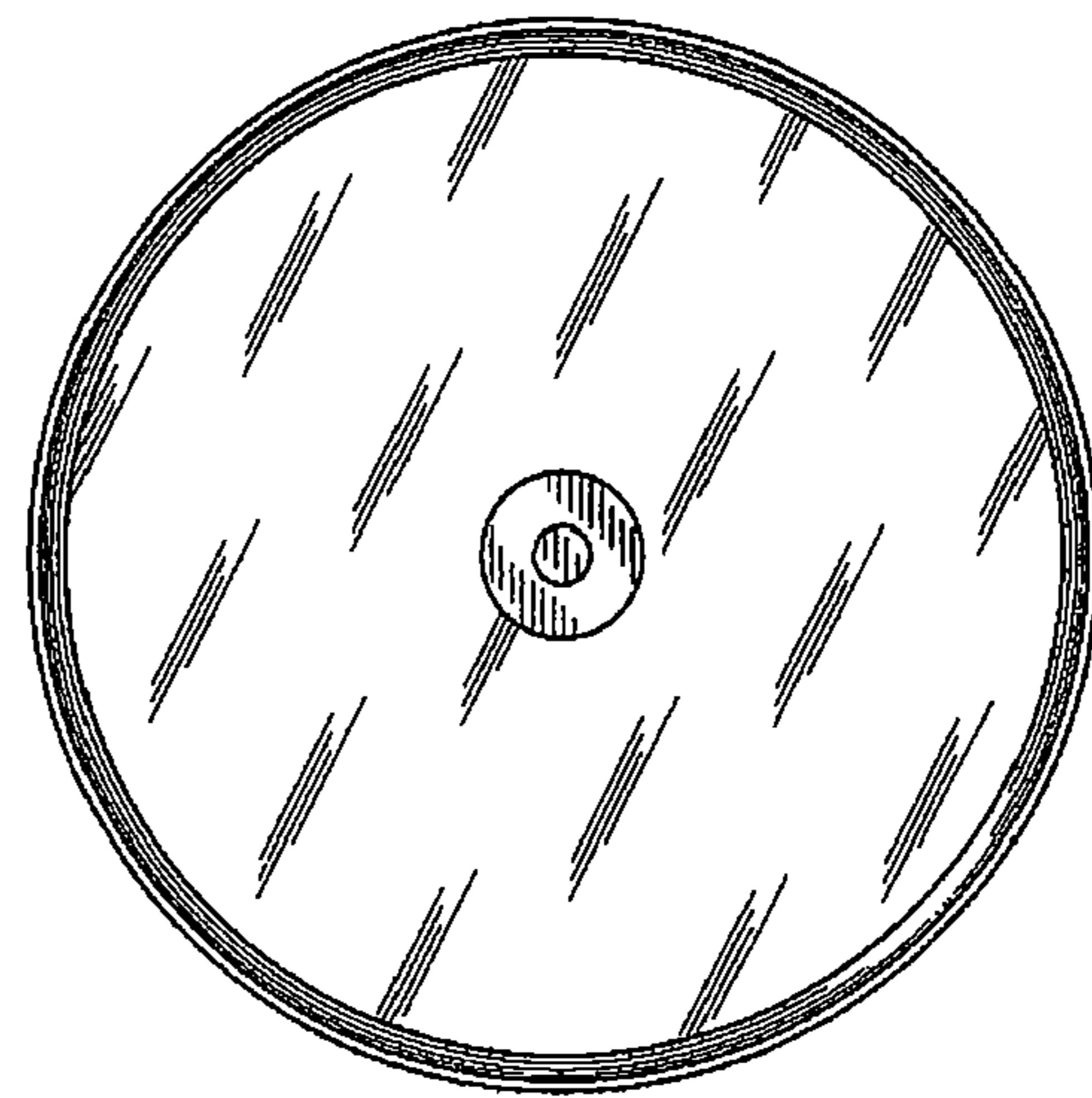
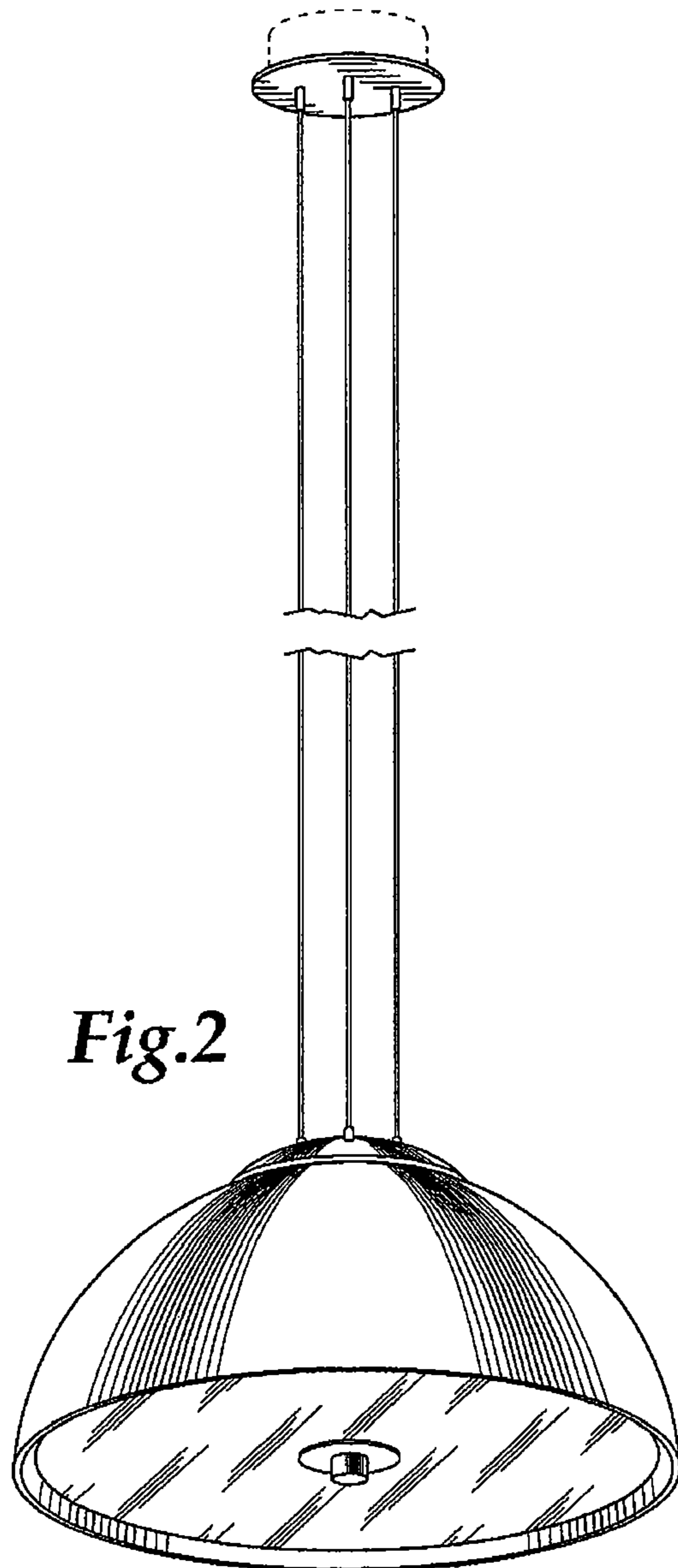
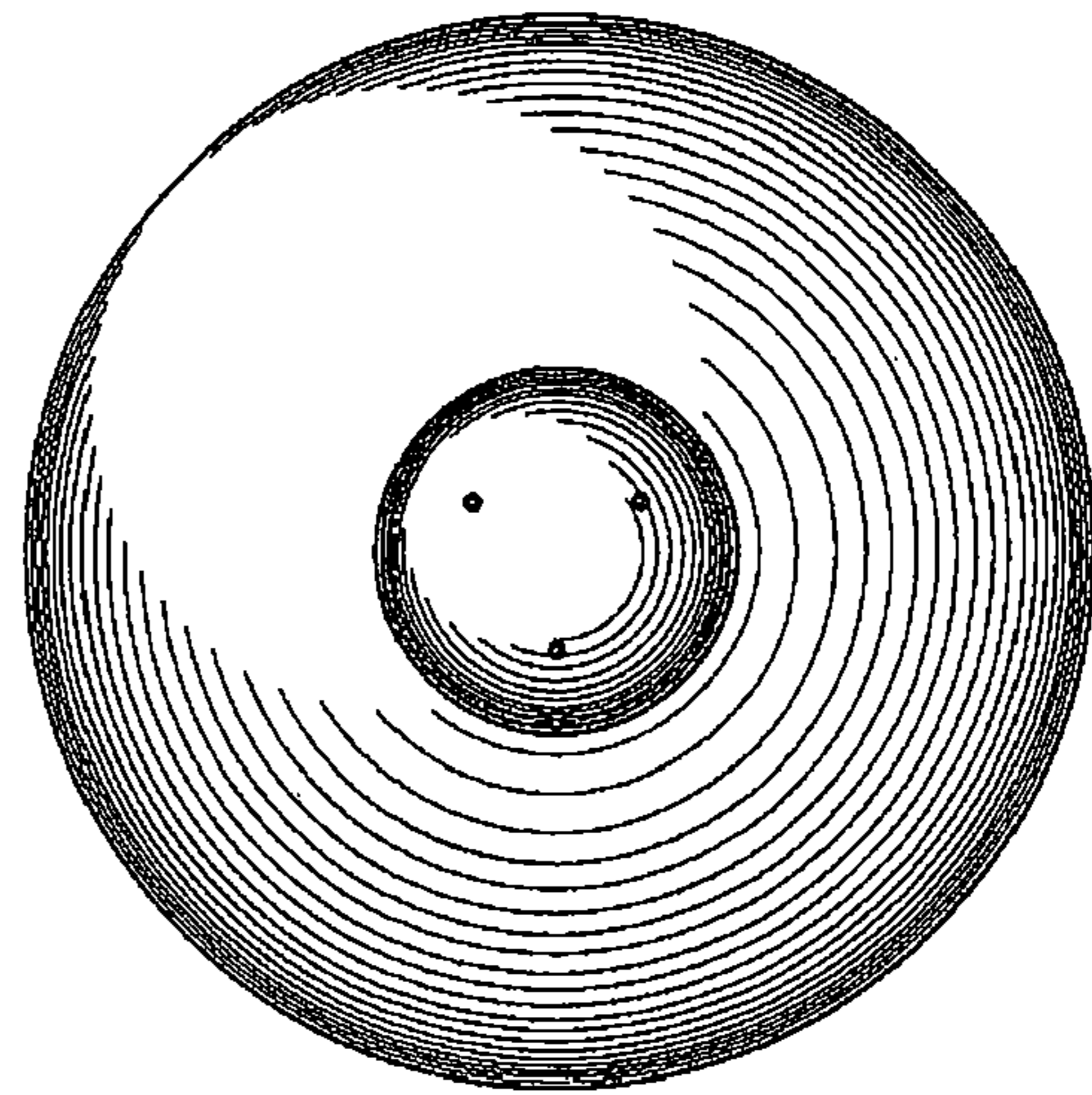
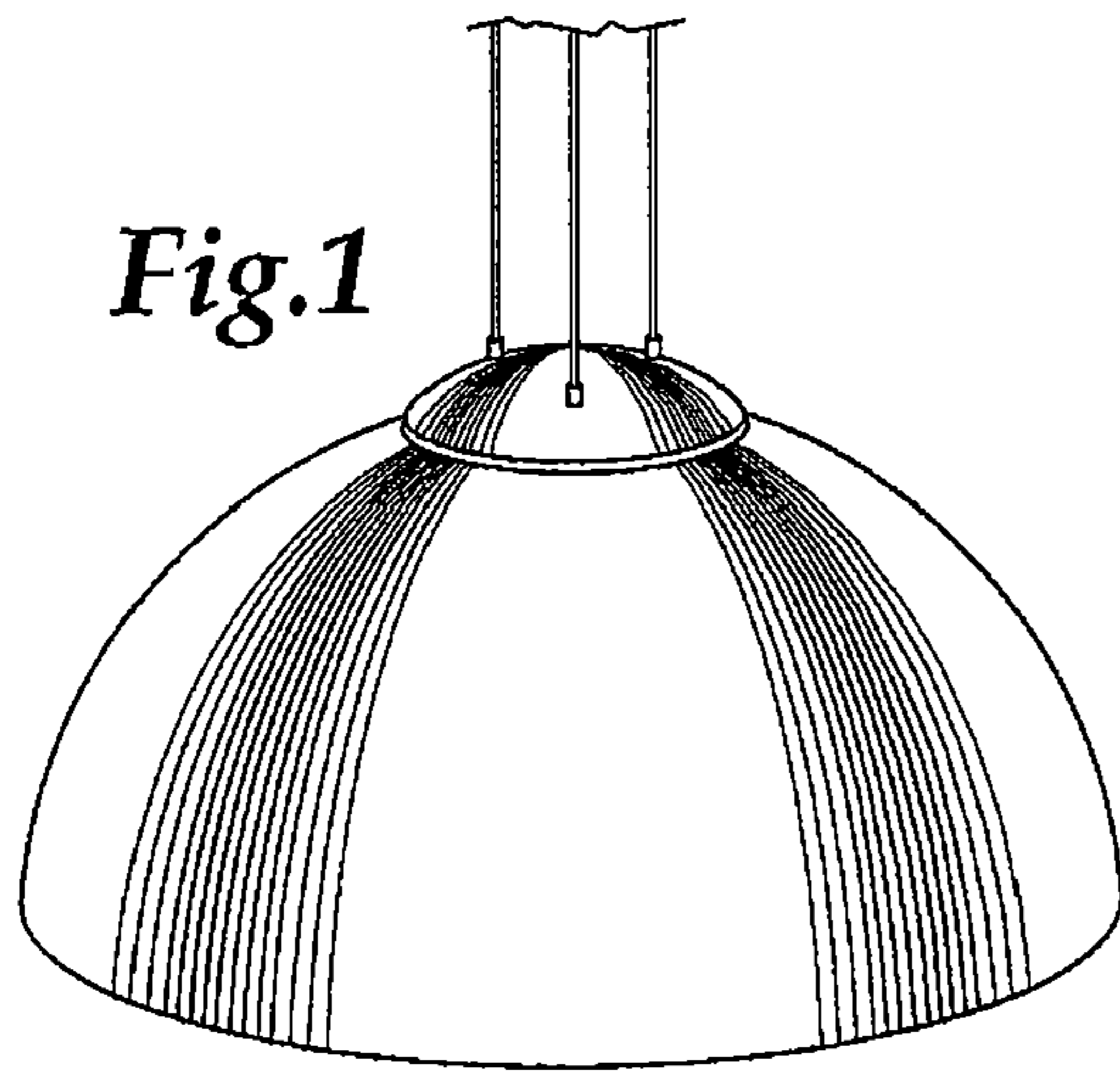


Fig. 5

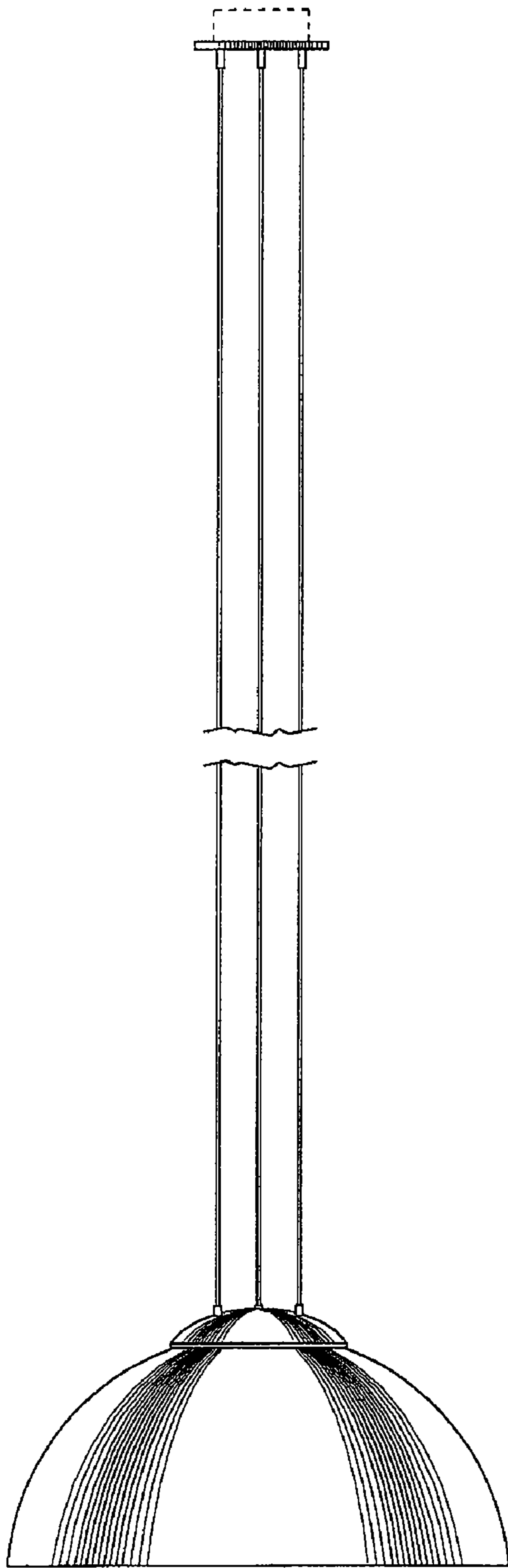


Fig. 6

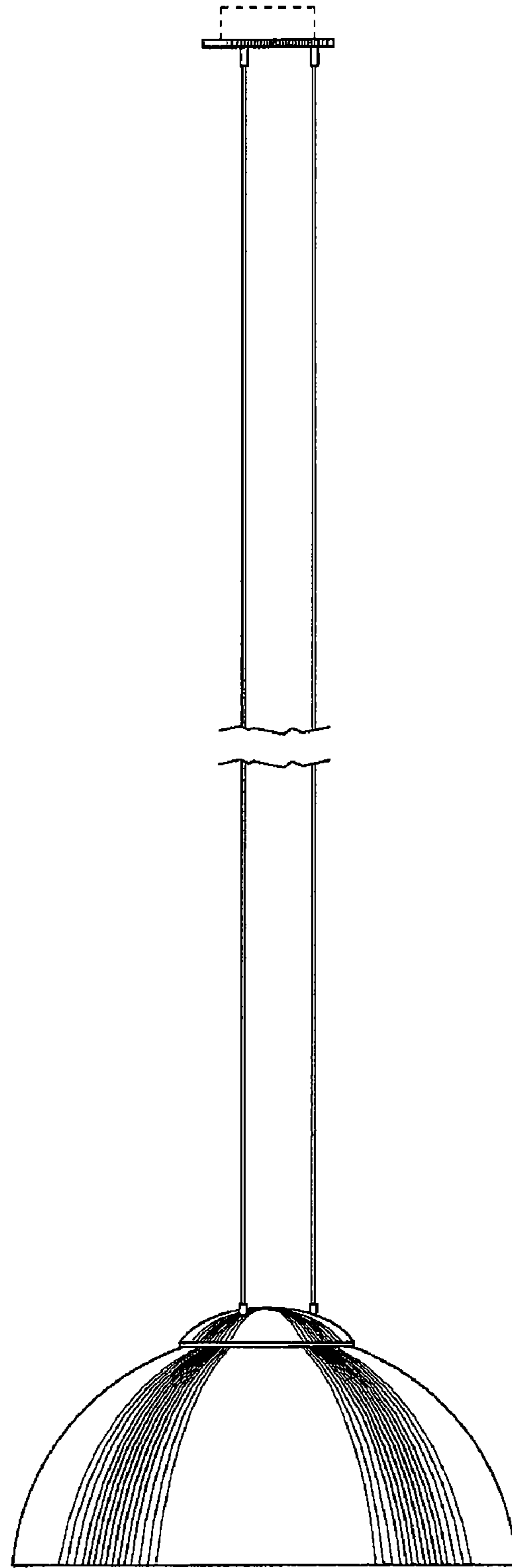


Fig. 7