



US00D588299S

(12) **United States Design Patent**  
**Sabernig**

(10) **Patent No.:** **US D588,299 S**

(45) **Date of Patent:** **\*\* Mar. 10, 2009**

(54) **LIGHT FIXTURE**

(75) Inventor: **Robert Sabernig**, Munster (AT)

(73) Assignee: **EGLO Leuchten GmbH**, Innsbruck (AT)

(\*\*) Term: **14 Years**

(21) Appl. No.: **29/322,831**

(22) Filed: **Aug. 13, 2008**

(51) **LOC (9) Cl.** ..... **26-03**

(52) **U.S. Cl.** ..... **D26/88**

(58) **Field of Classification Search** ..... D26/59,  
D26/72, 86-91; D23/377; 362/147, 404,  
362/806

See application file for complete search history.

(56) **References Cited**

**U.S. PATENT DOCUMENTS**

D65,919 S *	11/1924	Monroe	.....	D26/89
D81,234 S *	5/1930	Gunnison	.....	D26/86
D84,930 S *	8/1931	Glatthar	.....	D26/86
2,214,600 A *	9/1940	Winkler	.....	362/279
D150,357 S *	7/1948	Herbster	.....	D23/390
D178,212 S *	7/1956	Schreckengost	.....	D26/89
3,766,375 A *	10/1973	Edman et al.	.....	362/309

D299,070 S *	12/1988	Tharp et al.	.....	D26/88
D367,937 S *	3/1996	Dolan	.....	D26/88
D441,484 S *	5/2001	Nicholas	.....	D26/86
D473,006 S *	4/2003	Lara	.....	D26/88

\* cited by examiner

*Primary Examiner*—Clare E Heflin

(74) *Attorney, Agent, or Firm*—Baker & McKenzie LLP

(57) **CLAIM**

The ornamental design for a light fixture, as shown and described.

**DESCRIPTION**

FIG. 1 is a bottom perspective view of a light fixture in accordance with my design;

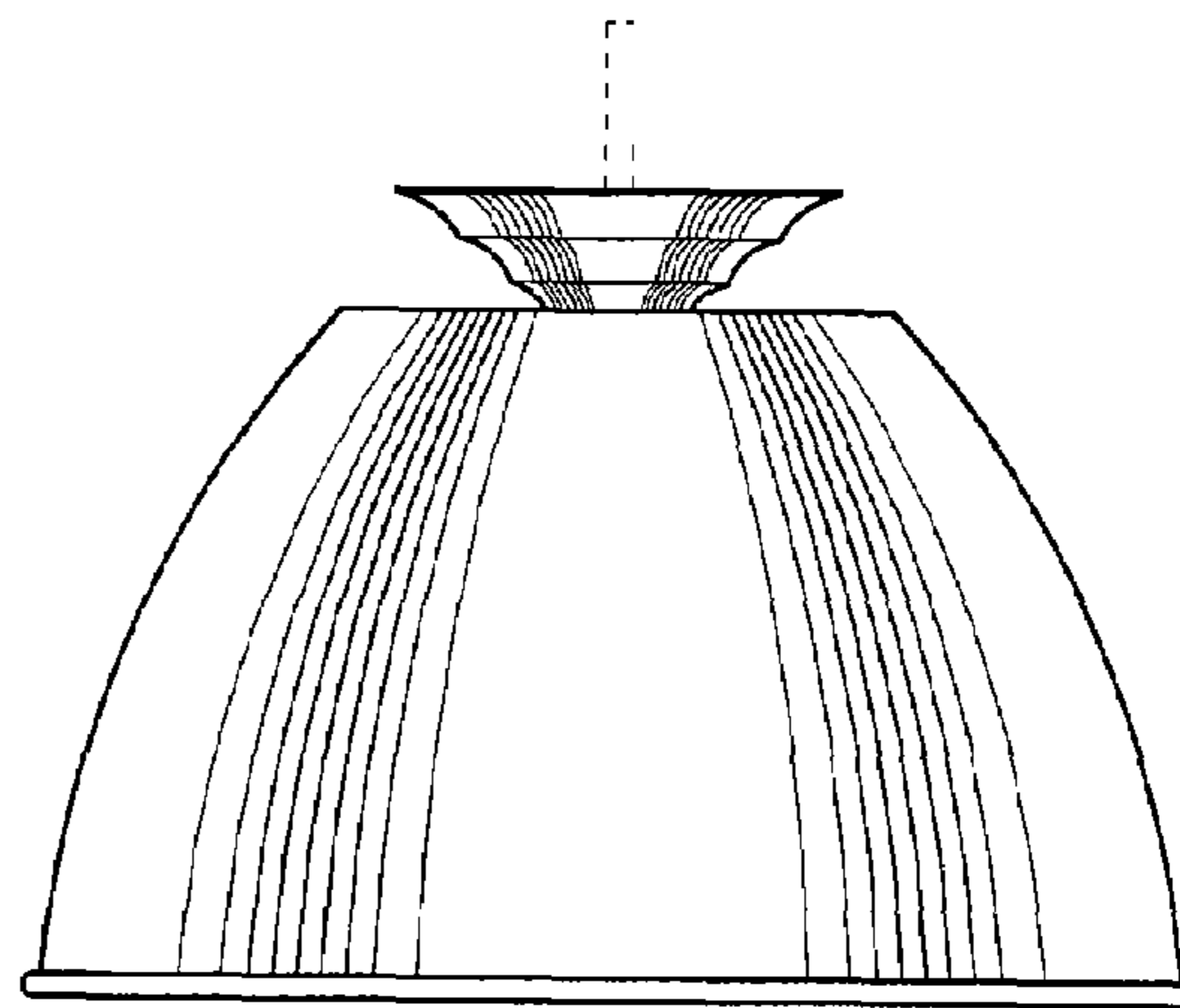
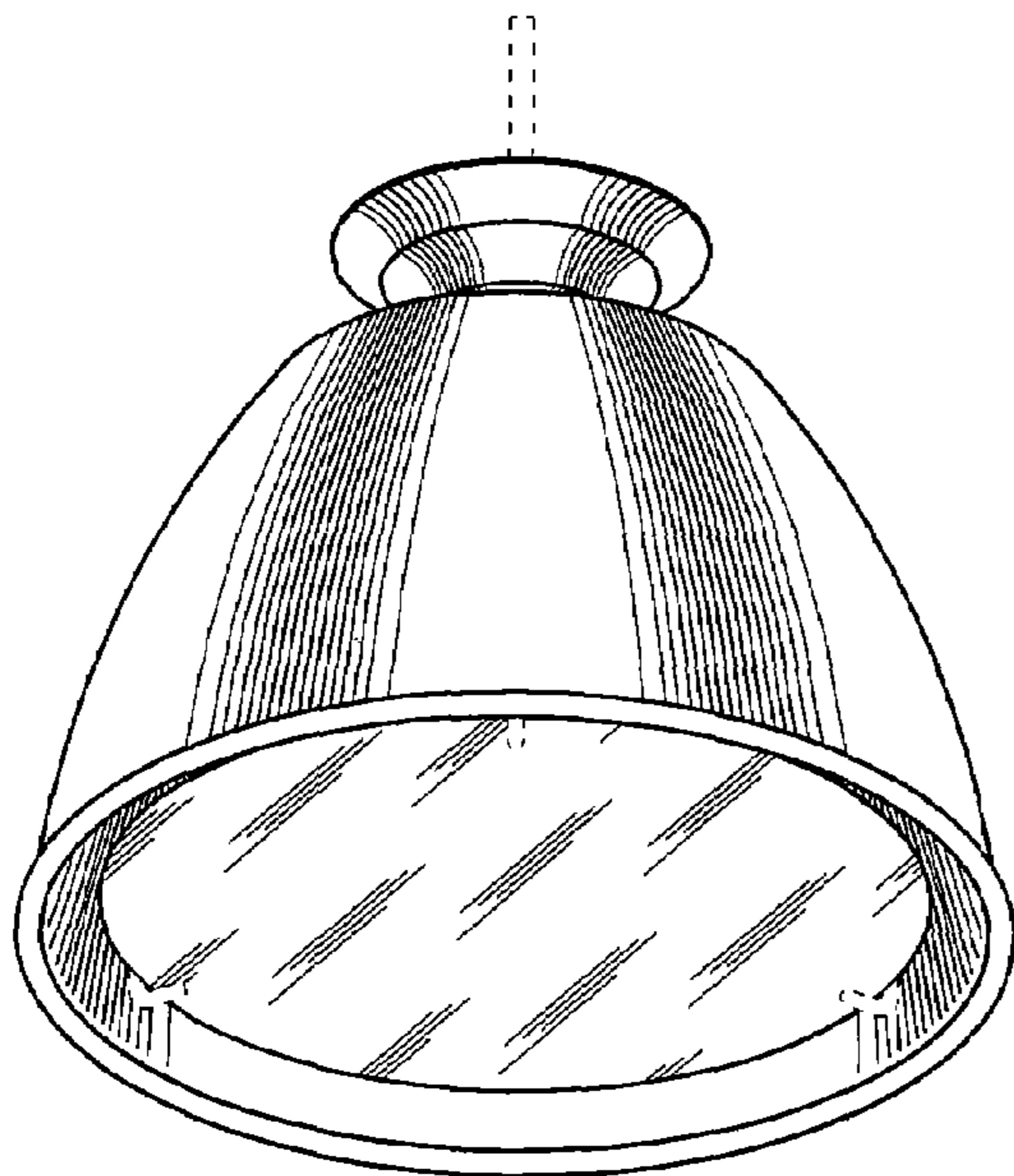
FIG. 2 is a top plan view of the light fixture in accordance with my design;

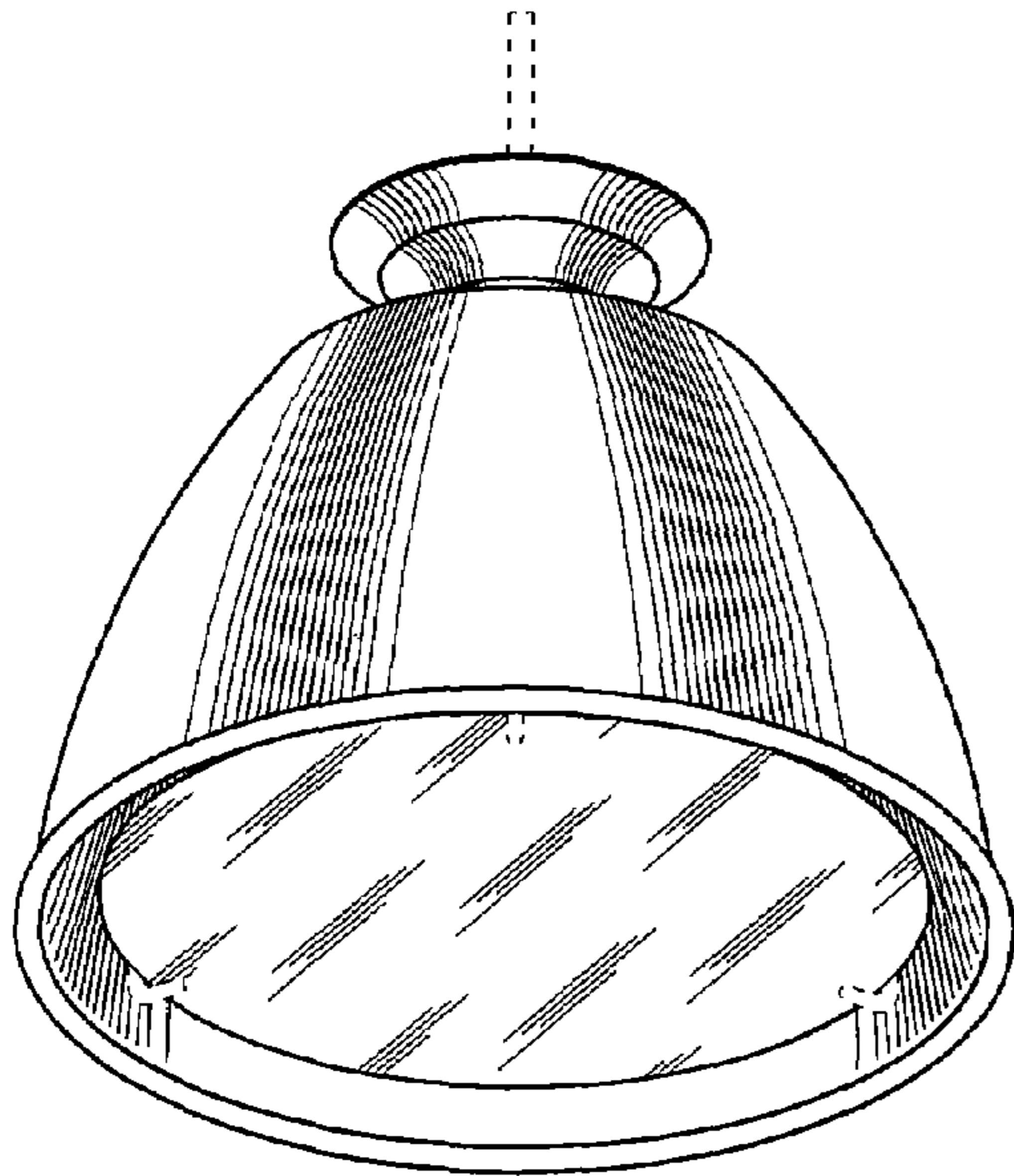
FIG. 3 is a bottom plan view of the light fixture in accordance with my design; and,

FIG. 4 is a side elevation view of the light fixture in accordance with my design, all side views being identical.

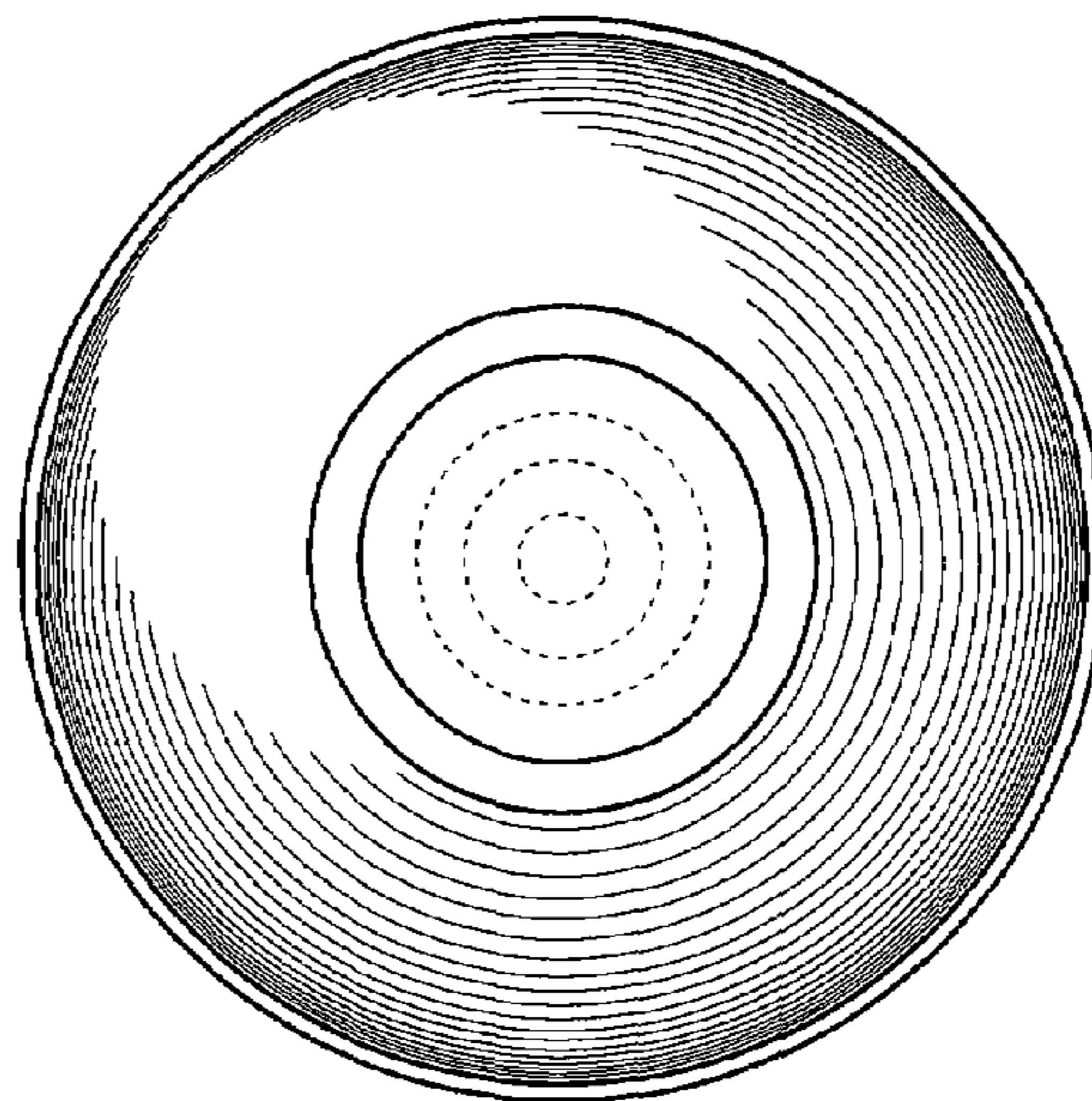
The broken lines showing environmental structure are for illustrative purposes only and form no part of the claimed design.

**1 Claim, 1 Drawing Sheet**

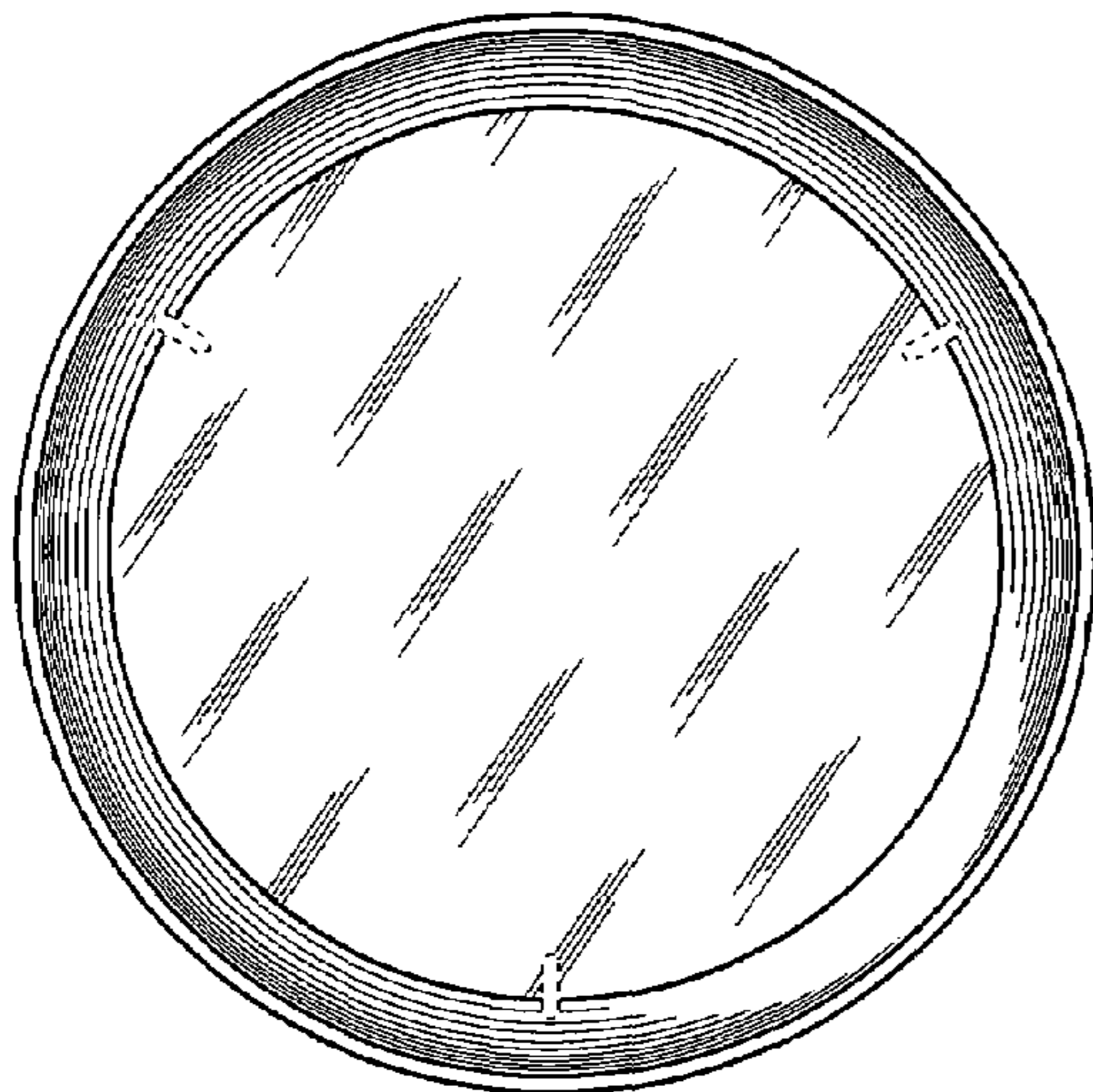




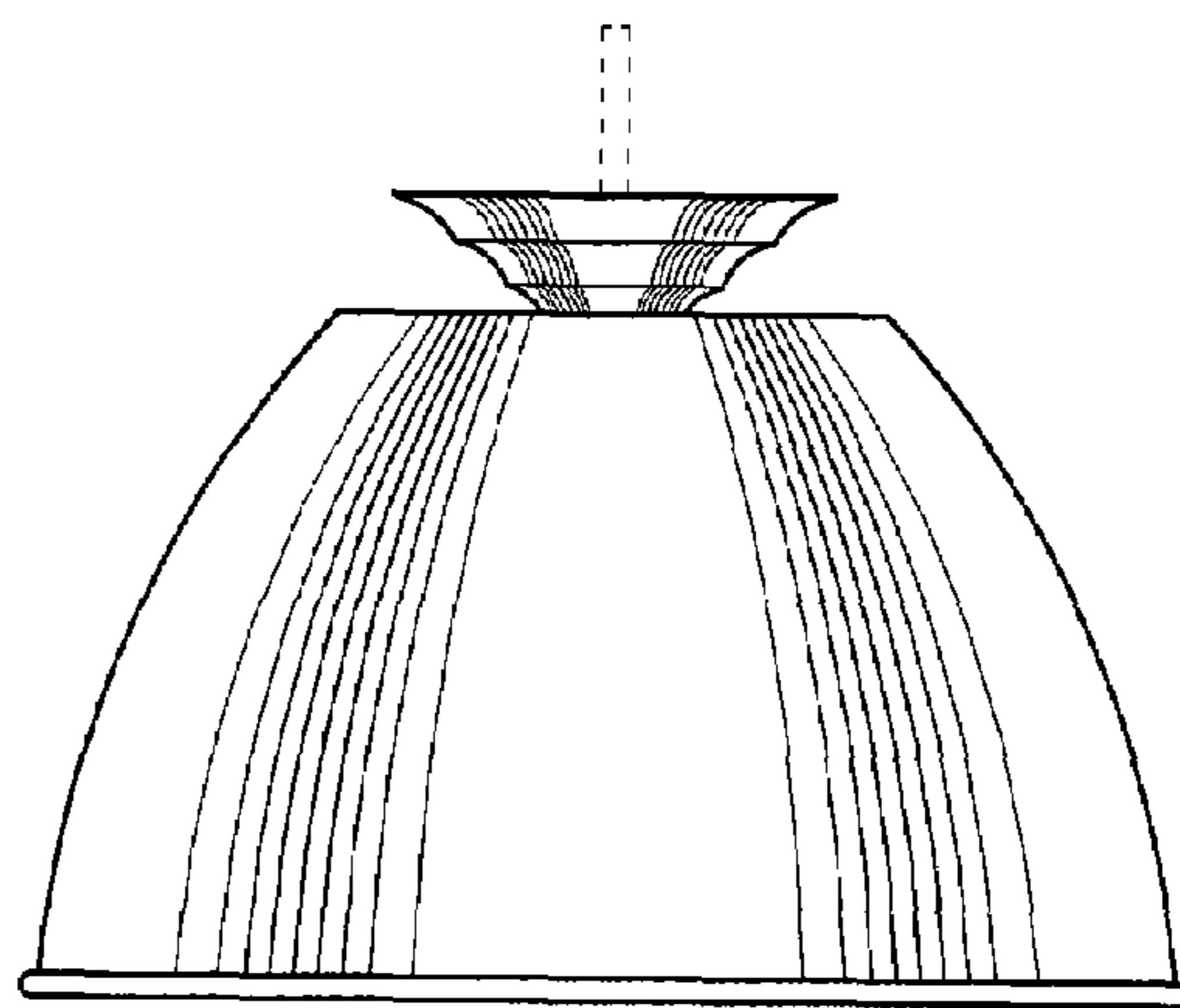
*Fig.1*



*Fig.2*



*Fig.3*



*Fig.4*