



US00D588297S

(12) **United States Design Patent**  
**Rubin**

(10) **Patent No.:** **US D588,297 S**  
(45) **Date of Patent:** **\*\* Mar. 10, 2009**

(54) **FIXTURE ELEMENT**

(75) Inventor: **Leila M. Rubin**, Sheboygan, WI (US)

(73) Assignee: **Kohler Co.**, Kohler, WI (US)

(\*\*) Term: **14 Years**

(21) Appl. No.: **29/319,664**

(22) Filed: **Jun. 12, 2008**

(51) **LOC (9) Cl.** ..... **26-03**

(52) **U.S. Cl.** ..... **D26/88; D26/128**

(58) **Field of Classification Search** ..... D26/72,  
D26/88, 89, 90, 91, 118, 128; 362/147, 404-408,  
362/312, 351, 361, 363

See application file for complete search history.

(56) **References Cited**

**U.S. PATENT DOCUMENTS**

35,507	A *	6/1862	Colburn	362/361
167,417	A *	9/1875	Trudeau	362/312
D33,823	S *	1/1901	Walton	D26/88
D40,995	S *	11/1910	Gardiner	D26/88
D151,053	S *	9/1948	McCann	D26/128
2,514,164	A *	7/1950	Popp et al.	362/363
4,344,112	A *	8/1982	Brown	362/96
D400,287	S *	10/1998	Littman et al.	D26/88
D441,488	S *	5/2001	Benghozi	D26/87
D509,317	S *	9/2005	Orfield et al.	D26/128
D563,590	S *	3/2008	Hetfield et al.	D26/88
2007/0008716	A1 *	1/2007	Glickman	362/147
2007/0014118	A1 *	1/2007	Shourds	362/407

**OTHER PUBLICATIONS**

“Molten Red Glass Shade Pendant Set” from LBCLighting.com. Found online Sep. 19, 2007.\*  
Forecast. “Embarcadero/Incandescent”. Model No. F1826-36. Forecastitg.com online catalog.

Forecast. “Hinsdale/Incandescent”. Model No. F1743-21. Forecastitg.com online catalog.

Forecast. “Haven/Incandescent”. Model No. F1573-36. Forecastitg.com online catalog.

Renoma Lighting Inc. “Pendant”, Model No. PD-113, LightingUniverse.com online catalog. Copyright © 1999-2008 Allied Trade Group, Inc.

\* cited by examiner

*Primary Examiner*—Clare E Heflin

(74) *Attorney, Agent, or Firm*—Quarles & Brady LLP

(57) **CLAIM**

The ornamental design for a fixture element, as shown and described.

**DESCRIPTION**

In a preferred embodiment, the nature of this product is a fixture element in the form of a fluted light pendant for a pendant lighting fixture.

FIG. 1 is a right, top, front perspective view of a fixture element according to my new design;

FIG. 2 is a front elevational view thereof, the left side, right side and rear elevational views thereof being identical to the front shown;

FIG. 3 is a top plan view thereof;

FIG. 4 is a bottom plan view thereof; and,

FIG. 5 is a front elevational view of a fixture element according to another embodiment of my new design having translucent walls indicated by the depicted shade lines, the corresponding views thereof being similar to FIGS. 1 and 3-4 above albeit with shade lines indicating translucency.

The broken line representations in the figures are for the purpose of illustration only, and form no part of the claimed design.

**1 Claim, 3 Drawing Sheets**

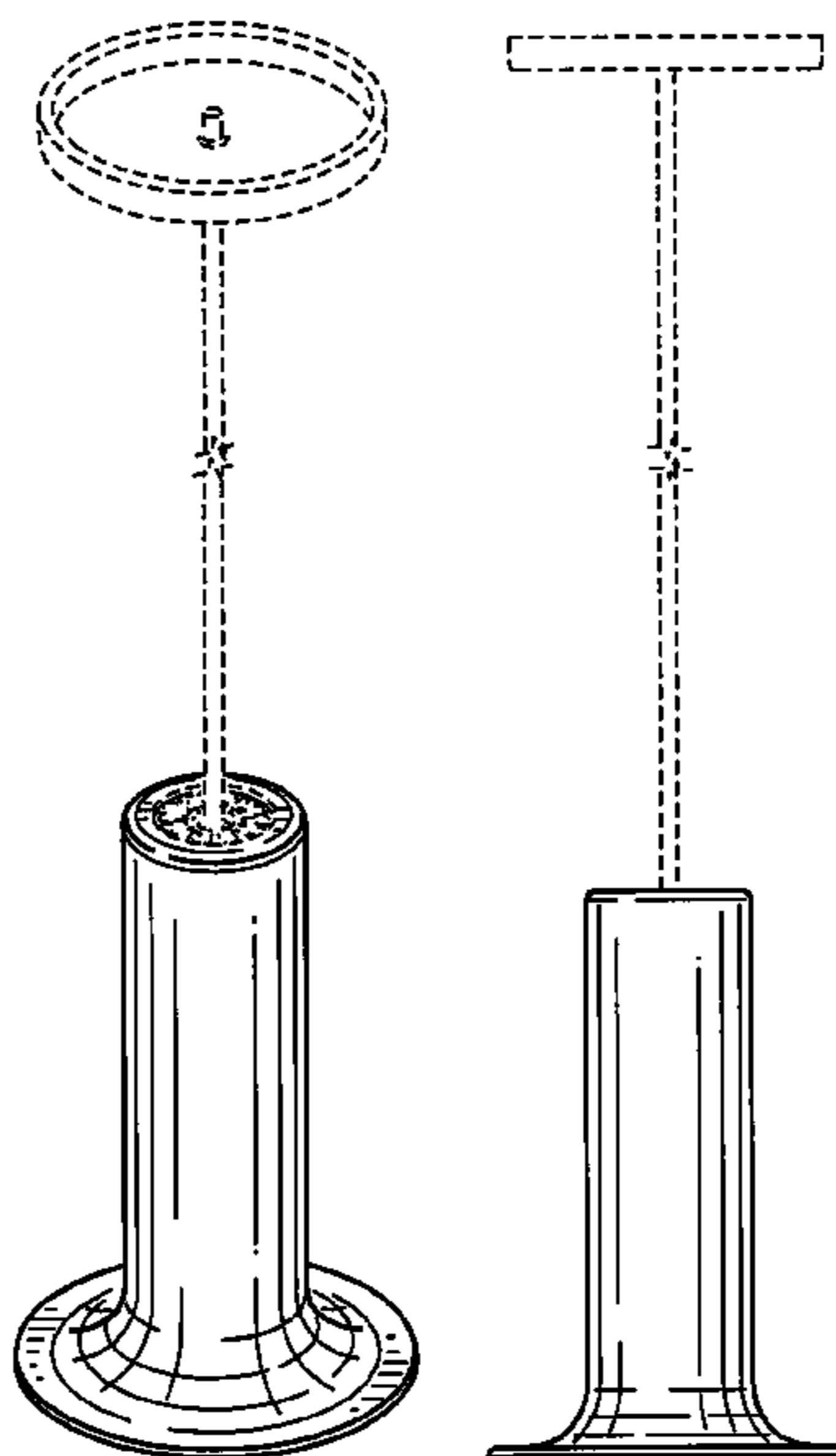


FIG. 1

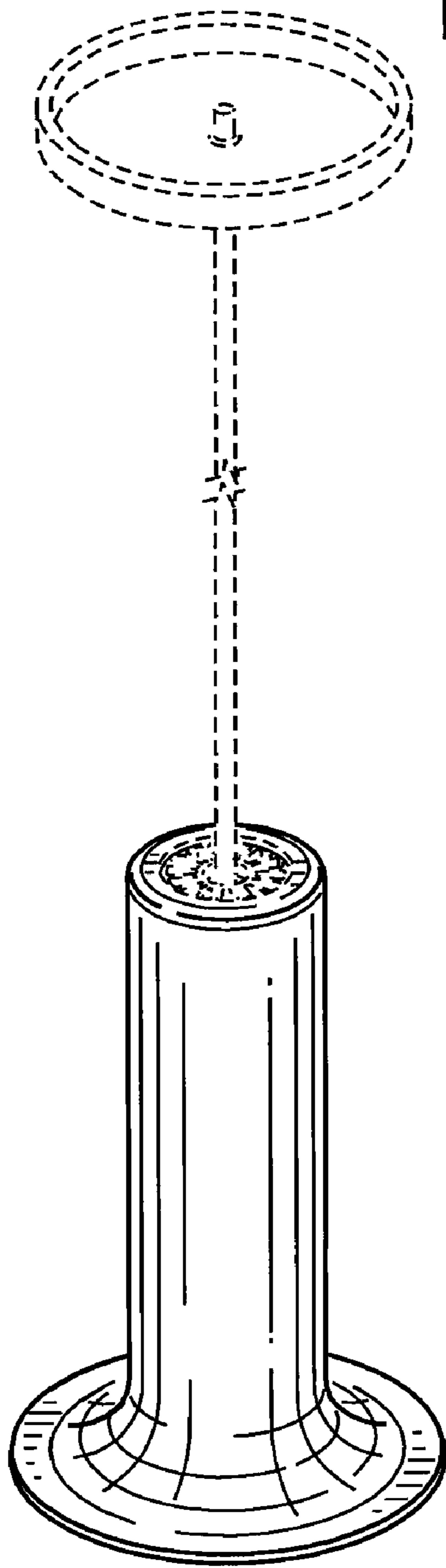


FIG. 2

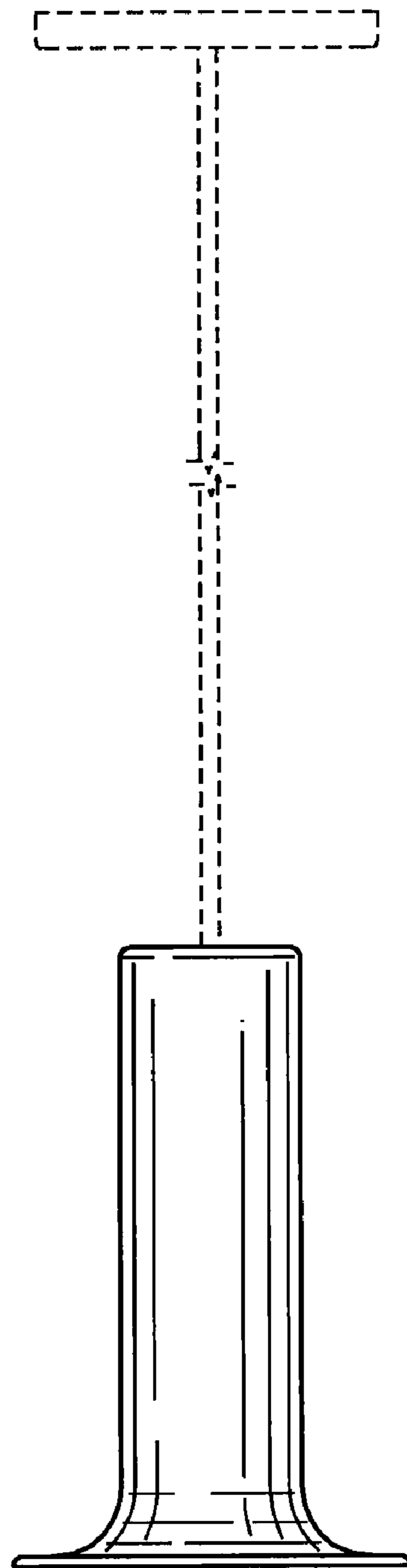


FIG. 3

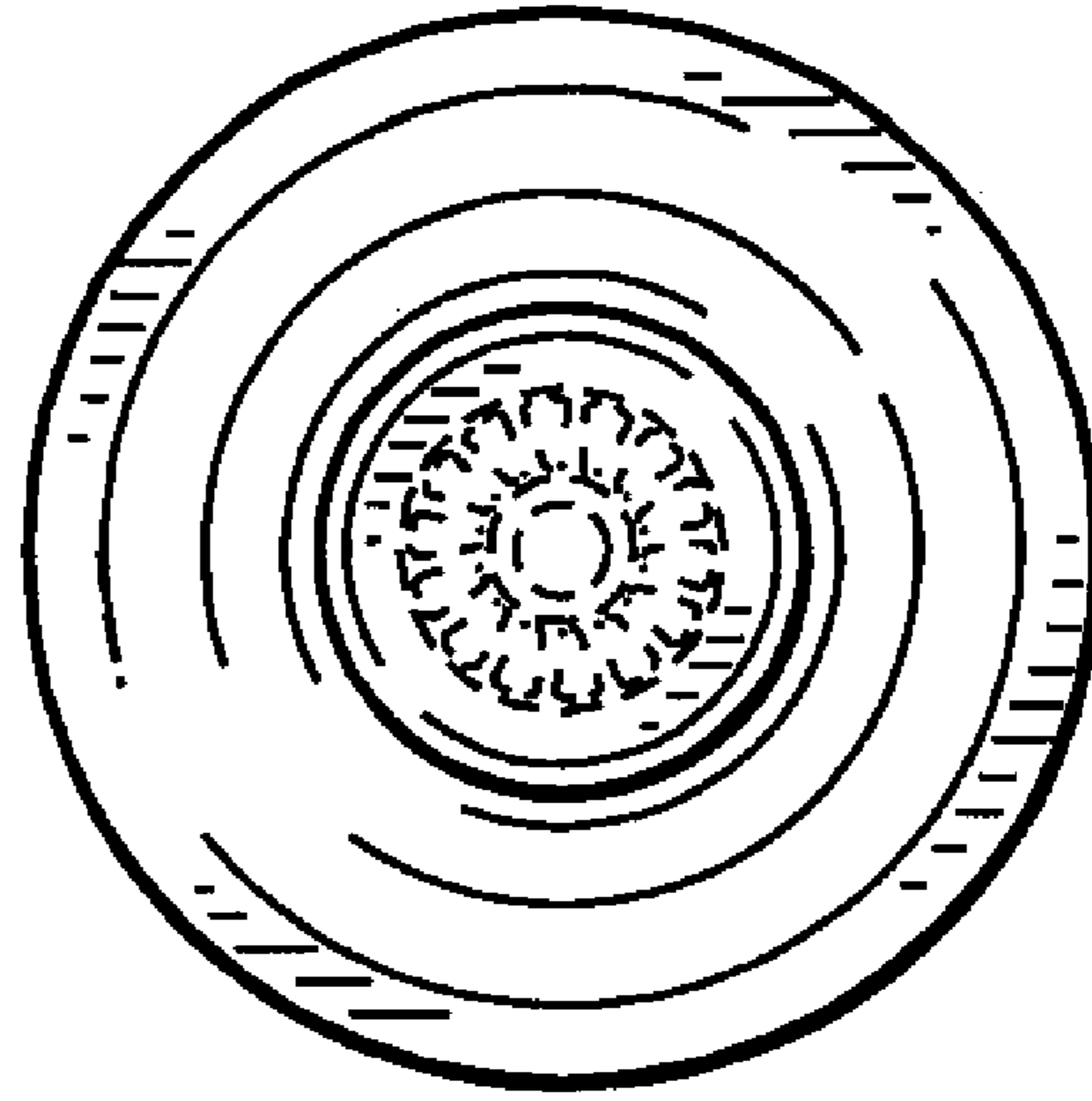


FIG. 4

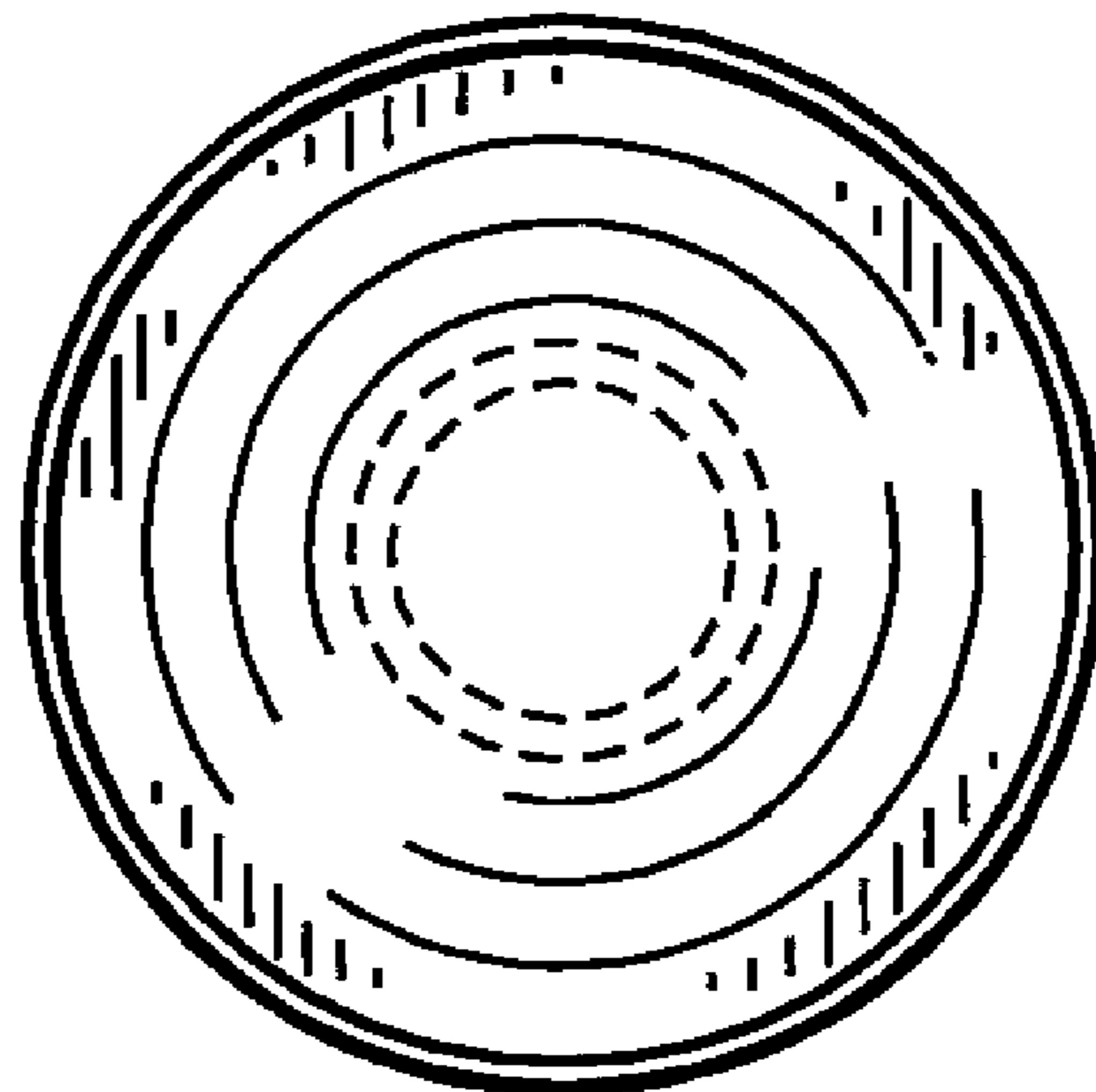


FIG. 5

