



US00D588294S

(12) **United States Design Patent**
Flores

(10) **Patent No.:** **US D588,294 S**
(45) **Date of Patent:** **** Mar. 10, 2009**

(54) **OUTDOOR LIGHT FIXTURE**

(75) Inventor: **Miguel Flores**, Riverside, CA (US)

(73) Assignee: **Minka Lighting, Inc.**, Corona, CA (US)

(**) Term: **14 Years**

(21) Appl. No.: **29/306,975**

(22) Filed: **Apr. 21, 2008**

(51) **LOC (9) Cl.** **26-03**

(52) **U.S. Cl.** **D26/85; D26/67; D26/87**

(58) **Field of Classification Search** D26/67,
D26/72, 85, 87, 92, 118, 128, 130; 362/147,
362/432, 351, 355, 356, 363, 370, 806

See application file for complete search history.

(56) **References Cited**

U.S. PATENT DOCUMENTS

| | | | | |
|--------------|---------|------------|-------|---------|
| D37,966 S * | 4/1906 | Schepmoes | | D26/85 |
| D76,367 S * | 9/1928 | Aspinwall | | D26/87 |
| D159,422 S * | 7/1950 | Kushner | | D26/87 |
| D206,881 S * | 2/1967 | Morunduzzo | | D26/118 |
| D314,834 S * | 2/1991 | Rottner | | D26/87 |
| D442,319 S * | 5/2001 | Hsu | | D26/87 |
| D469,907 S * | 2/2003 | Chen | | D26/67 |
| D483,143 S * | 12/2003 | Orozco | | D26/87 |
| D483,515 S * | 12/2003 | Radulescu | | D26/87 |
| D530,035 S * | 10/2006 | Wen | | D26/67 |

OTHER PUBLICATIONS

“Mount Vernon” shown on p. 332 of the Kichler Lighting Catalog #104. (C)2004.*

Great Outdoors 2008 Catalog; Jan. 2008; pp. 4-5; Minka Lighting, Inc.; USA.

Minka Lighting Internet Catalog; Fleur Medallion; Model #23580; printed from lampsplus.com on May 9, 2008.

Corbett Lighting Internet Catalog; Pointe Lane; Model #47705; printed from lampsplus.com on May 9, 2008.

Kichler Lighting Internet Catalog; Winston; Model #47705; printed from lampsplus.com on May 9, 2008.

ELK Lighting Internet Catalog; Rutland Square; Model #42121/1; printed from lightinguniverse.com on May 9, 2008.

* cited by examiner

Primary Examiner—Clare E Heflin

(74) *Attorney, Agent, or Firm*—Baker & McKenzie LLP

(57) **CLAIM**

The ornamental design for an outdoor light fixture, as shown and described.

DESCRIPTION

FIG. 1 is a bottom perspective view of an outdoor light fixture in accordance with my design;

FIG. 2 is a top plan view of the outdoor light fixture in accordance with my design;

FIG. 3 is a bottom plan view of the outdoor light fixture in accordance with my design;

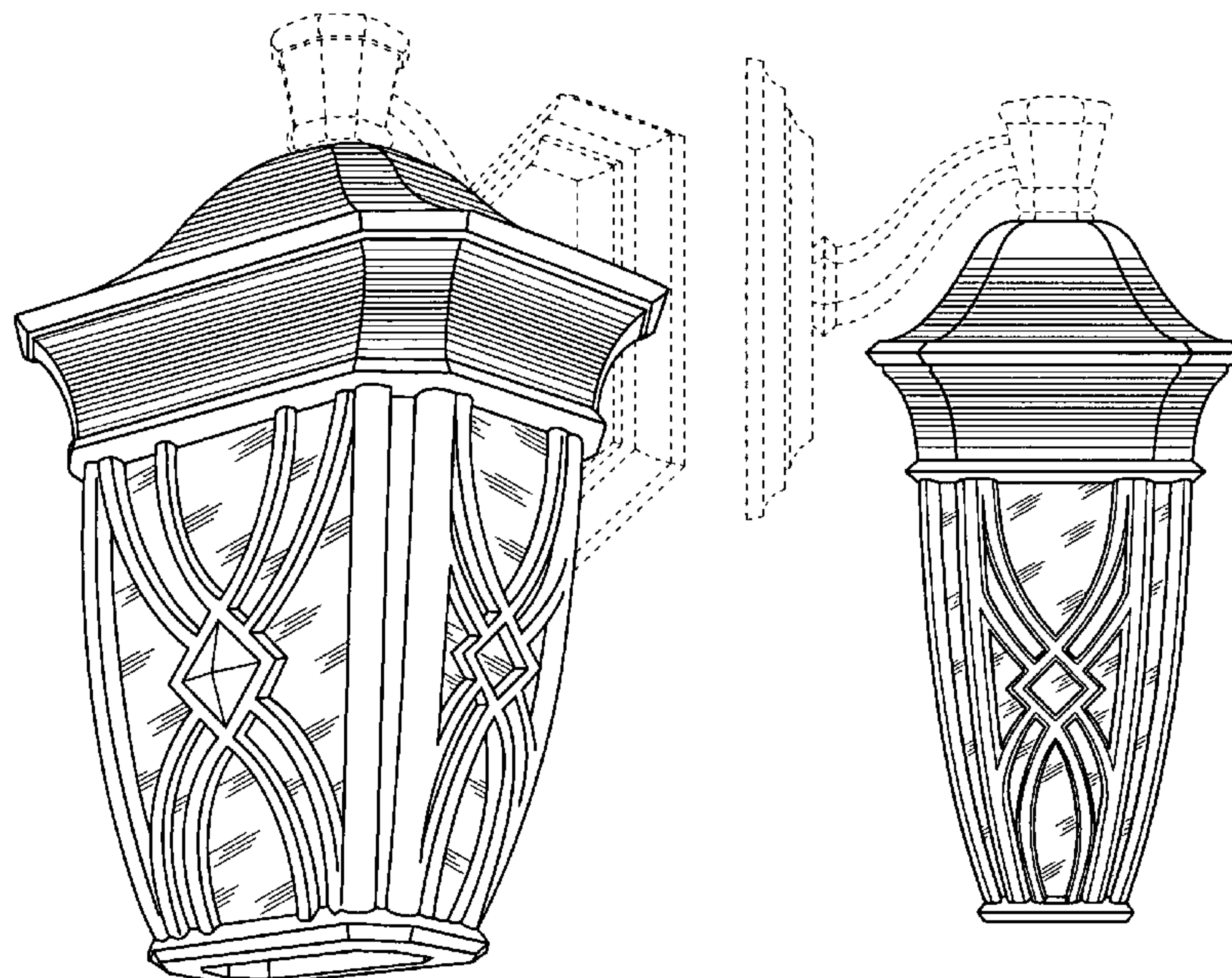
FIG. 4 is a front elevation view of the outdoor light fixture in accordance with my design;

FIG. 5 is a back elevation view of the outdoor light fixture in accordance with my design; and,

FIG. 6 is a side elevation view of the outdoor light fixture in accordance with my design, the opposite side view being a mirror image of that shown.

The broken lines showing environmental structure are for illustrative purposes and form no part of the claimed design.

1 Claim, 2 Drawing Sheets



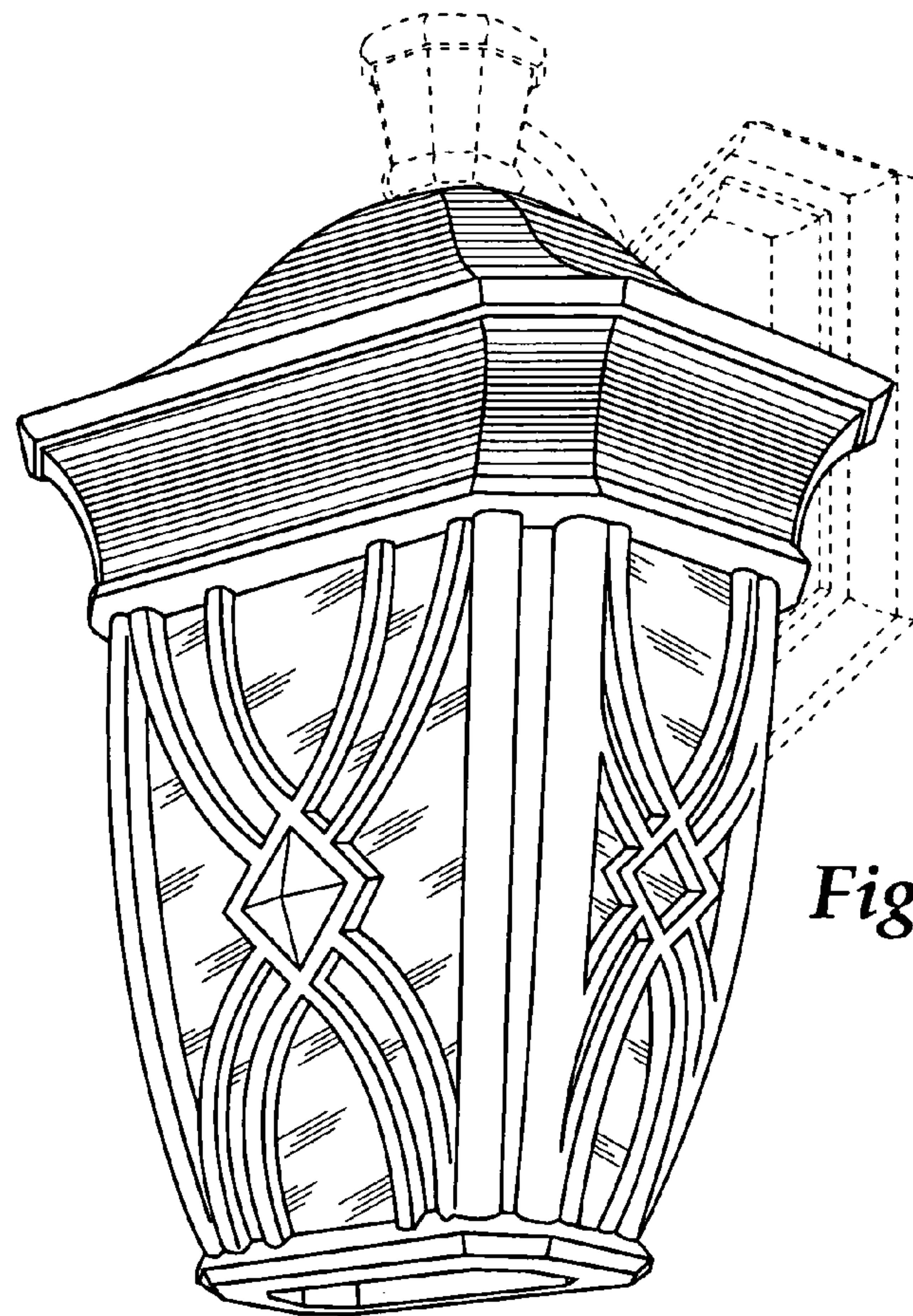


Fig.1

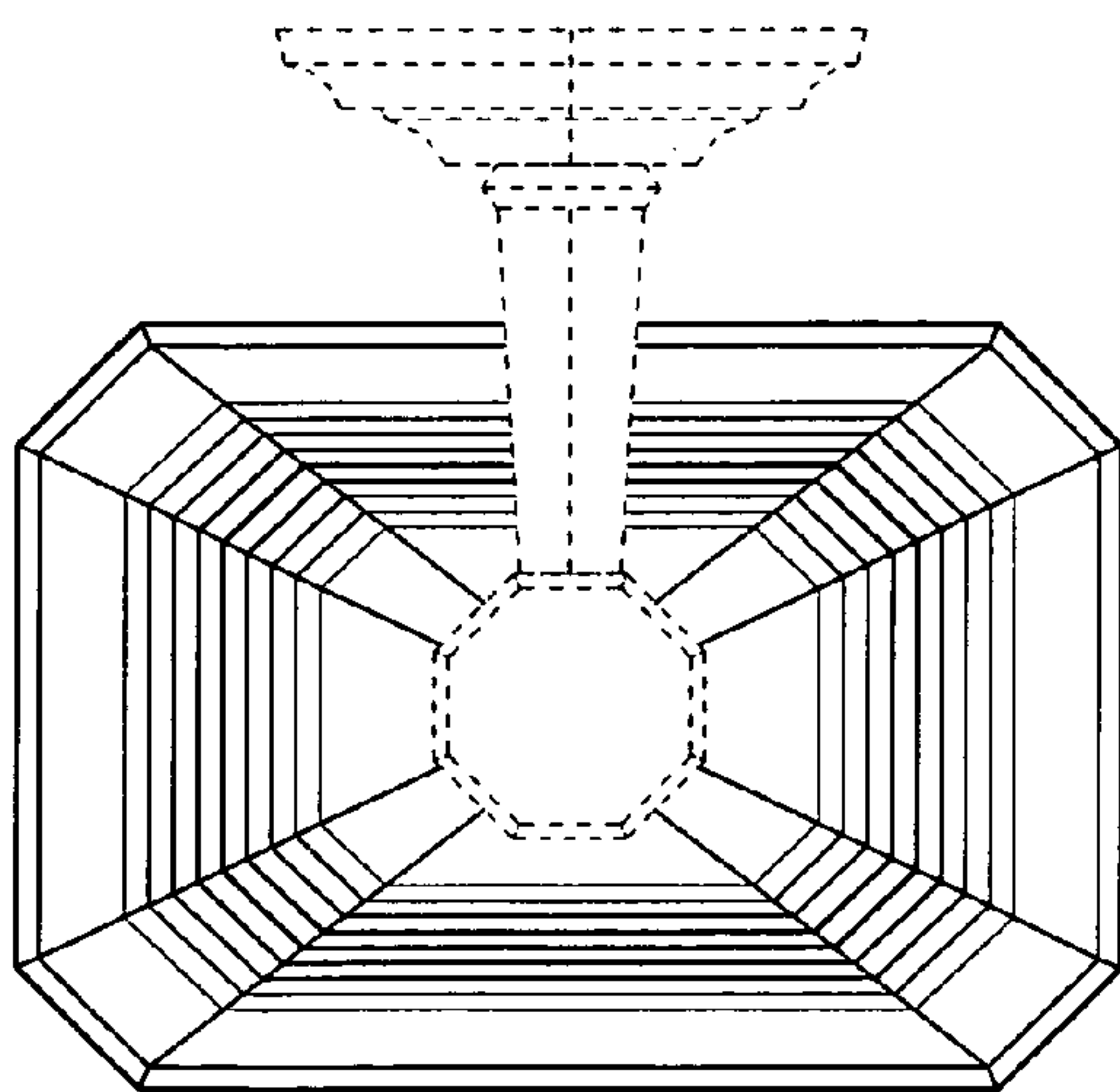


Fig.2

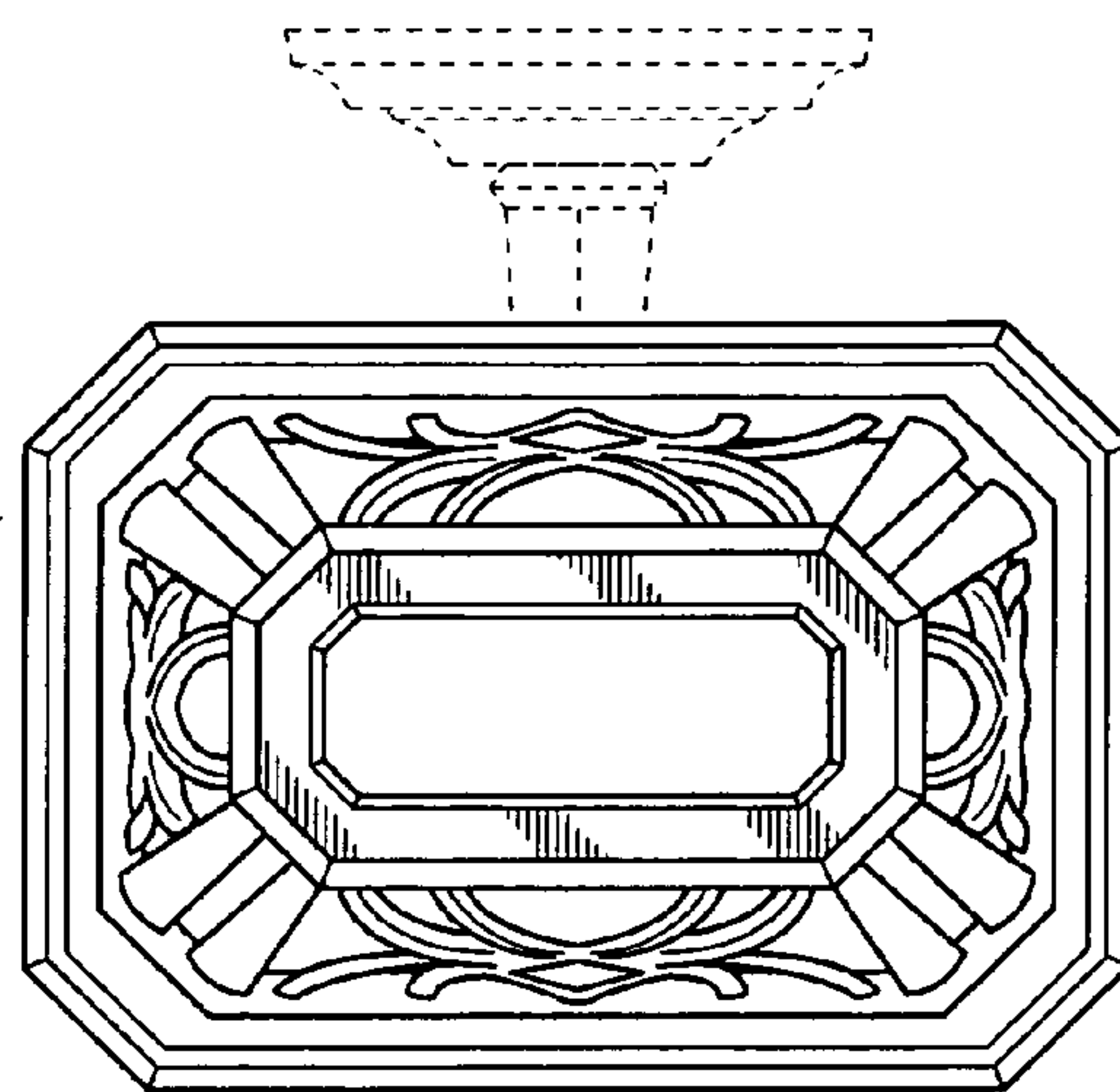


Fig.3

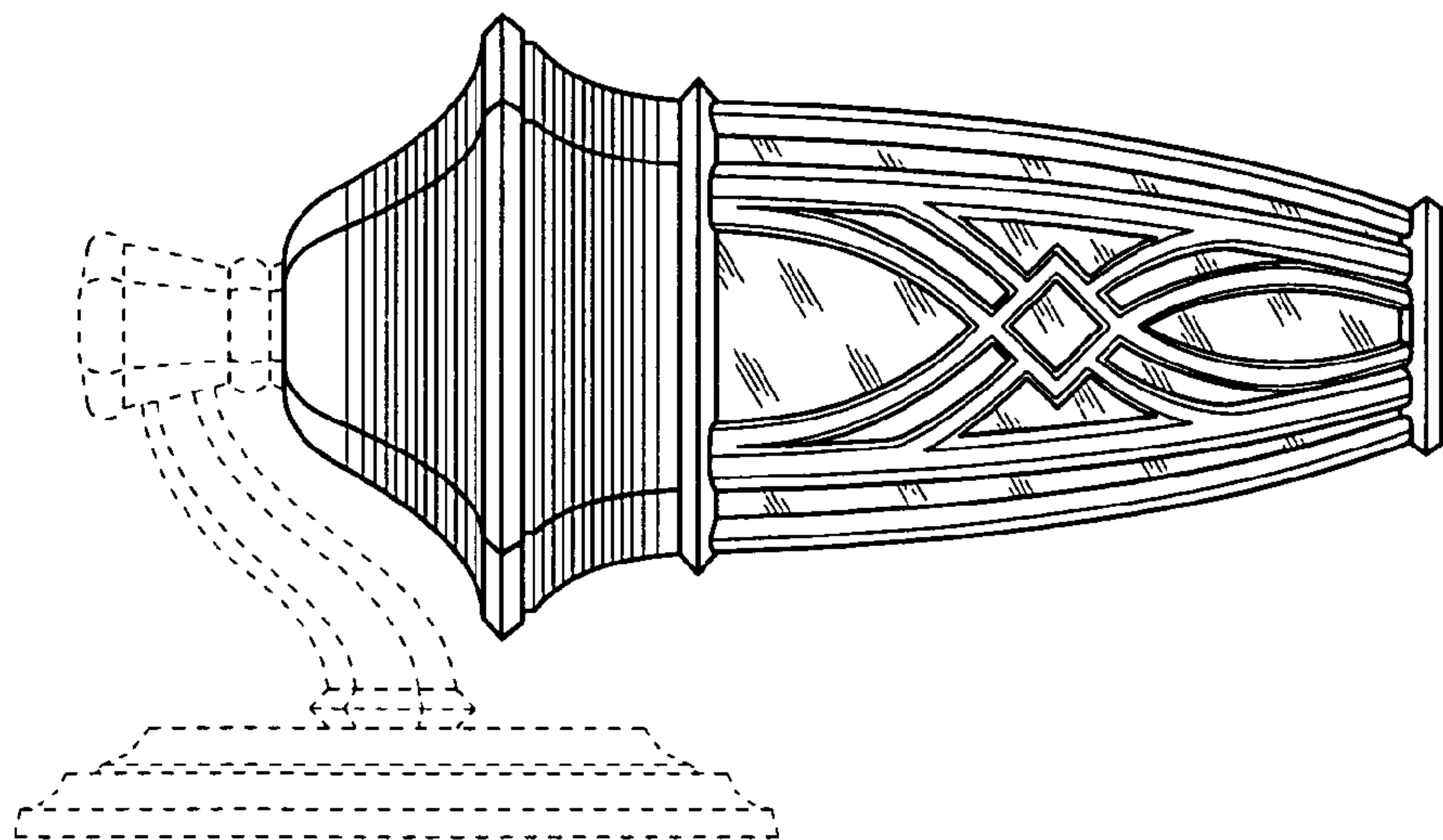


Fig.6

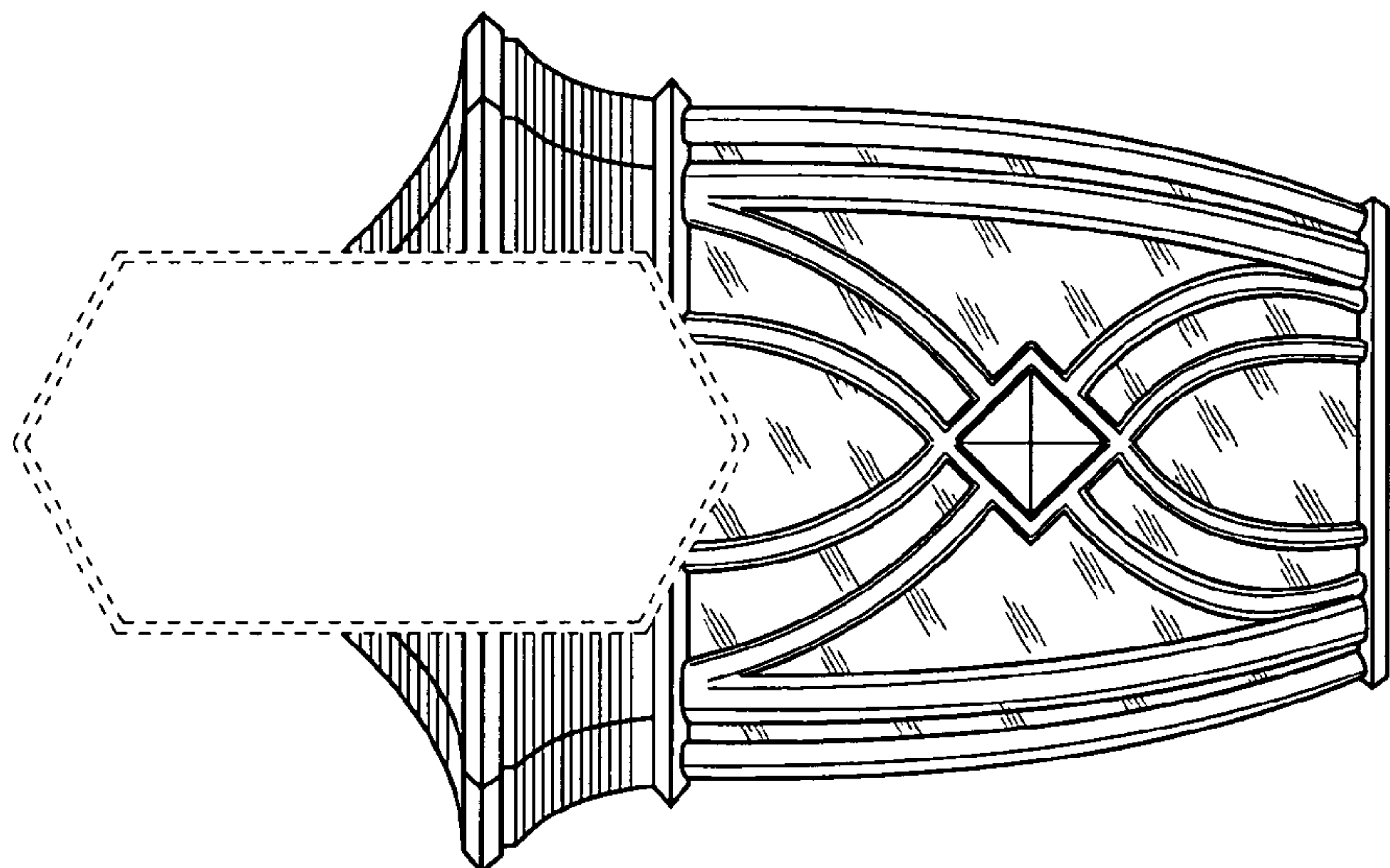


Fig.5

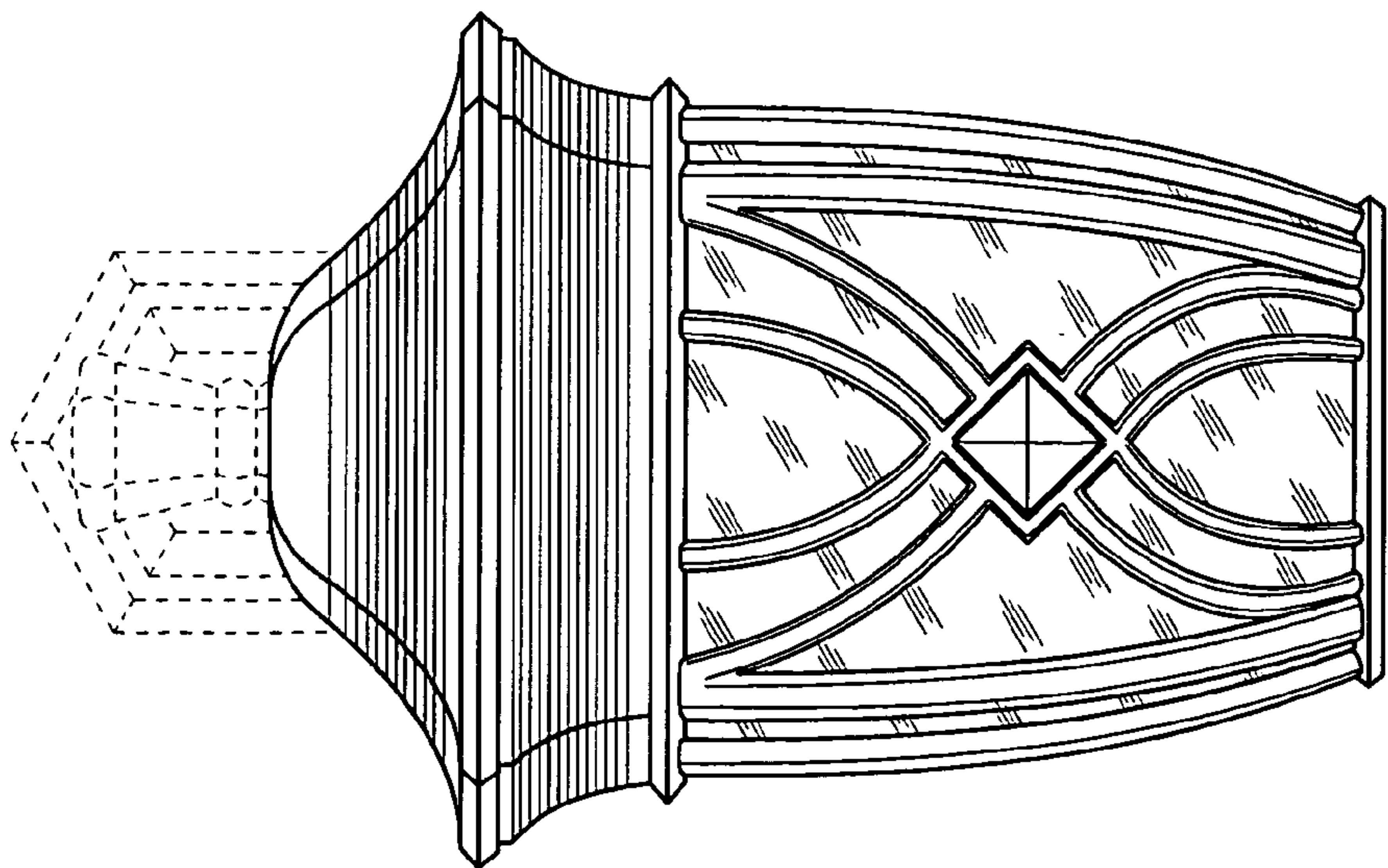


Fig.4