



US00D588292S

(12) **United States Design Patent**
Sabernig

(10) **Patent No.:** **US D588,292 S**
(45) **Date of Patent:** **** Mar. 10, 2009**

(54) **LIGHT FIXTURE**

(75) Inventor: **Robert Sabernig**, Munster (AT)

(73) Assignee: **EGLO Leuchten GmbH**, Innsbruck (AT)

(**) Term: **14 Years**

(21) Appl. No.: **29/321,581**

(22) Filed: **Jul. 18, 2008**

(51) **LOC (9) Cl.** **26-05**

(52) **U.S. Cl.** **D26/71; D26/92**

(58) **Field of Classification Search** D26/67,
D26/71, 72, 85, 87, 92; 362/147, 404-408,
362/431, 432

See application file for complete search history.

(56) **References Cited**

U.S. PATENT DOCUMENTS

| | | | | |
|--------------|---------|-----------------|-------|--------|
| D183,563 S * | 9/1958 | Elmer | | D26/71 |
| D201,765 S * | 7/1965 | Mox | | D26/71 |
| D308,261 S * | 5/1990 | Shemitz | | D26/87 |
| D324,433 S * | 3/1992 | Camino et al. | | D26/67 |
| D402,389 S * | 12/1998 | Norman et al. | | D26/87 |
| D501,947 S * | 2/2005 | Haugaard et al. | | D26/71 |
| D527,134 S * | 8/2006 | Bagen | | D26/71 |
| D555,279 S * | 11/2007 | Schneider | | D26/71 |
| D568,521 S * | 5/2008 | Compton | | D26/71 |

D570,516 S * 6/2008 Orellana D26/71
D570,521 S * 6/2008 Belleau D26/85

* cited by examiner

Primary Examiner—Clare E Heflin

(74) *Attorney, Agent, or Firm*—Baker & McKenzie LLP

(57) **CLAIM**

The ornamental design for a light fixture, as shown and described.

DESCRIPTION

FIG. 1 is a top perspective view of a light fixture in accordance with my design;

FIG. 2 is a side elevation view of the light fixture in accordance with my design, the opposite side being a mirror image of that shown;

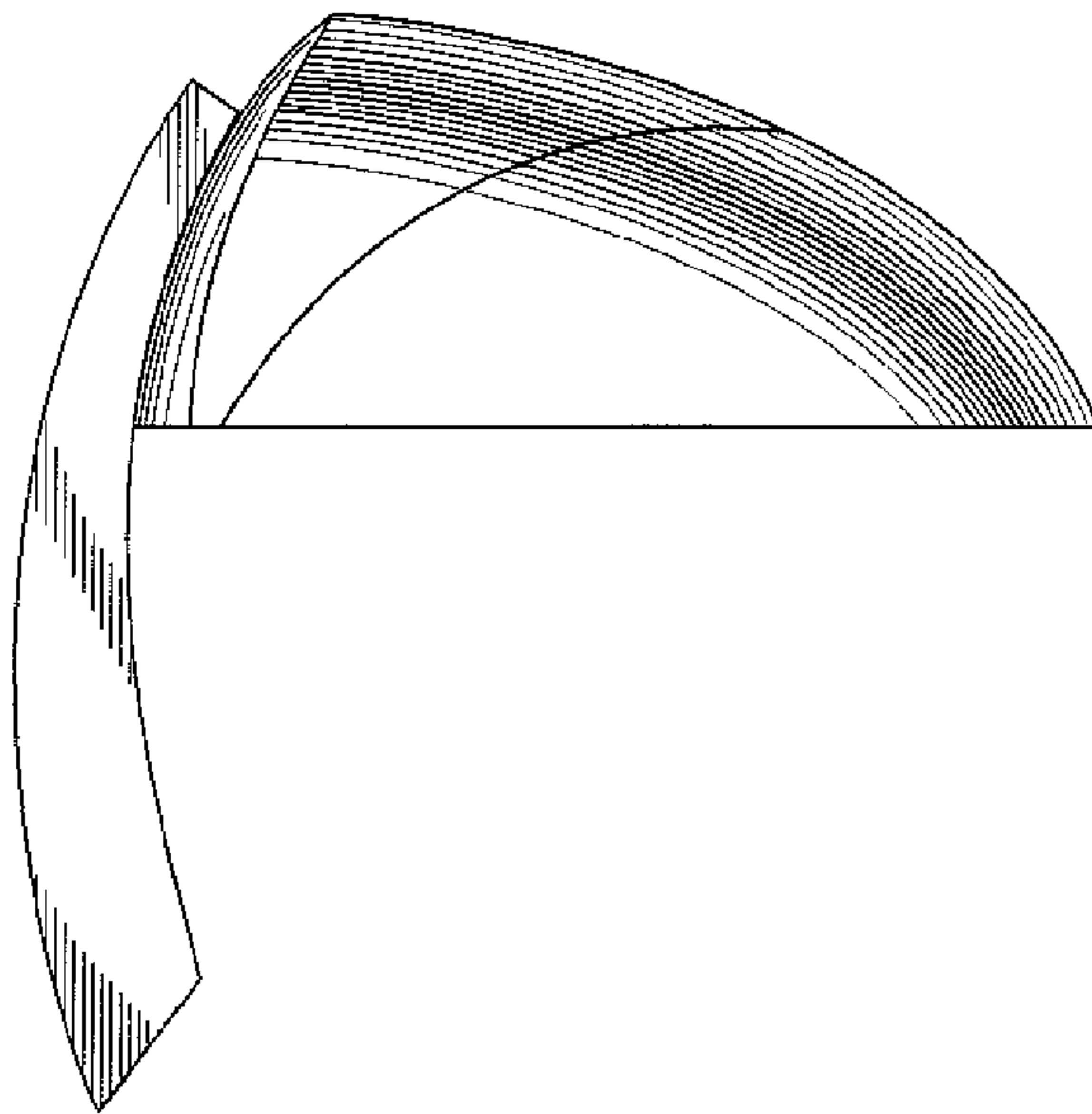
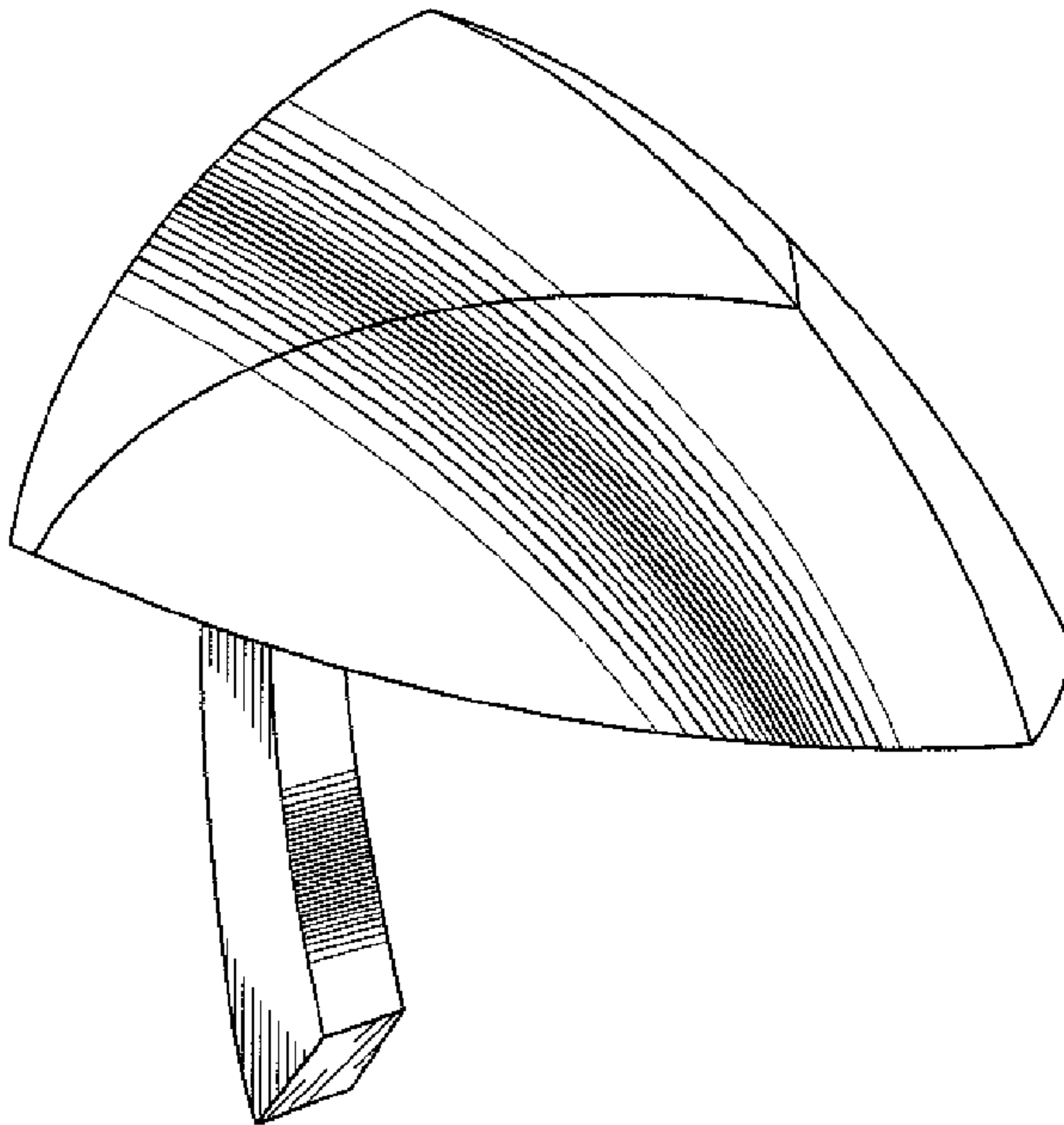
FIG. 3 is a top plan view of the light fixture in accordance with my design;

FIG. 4 is a front elevation view of the light fixture in accordance with my design;

FIG. 5 is a bottom plan view of the light fixture in accordance with my design; and,

FIG. 6 is a back elevation view of the light fixture in accordance with my design.

1 Claim, 1 Drawing Sheet



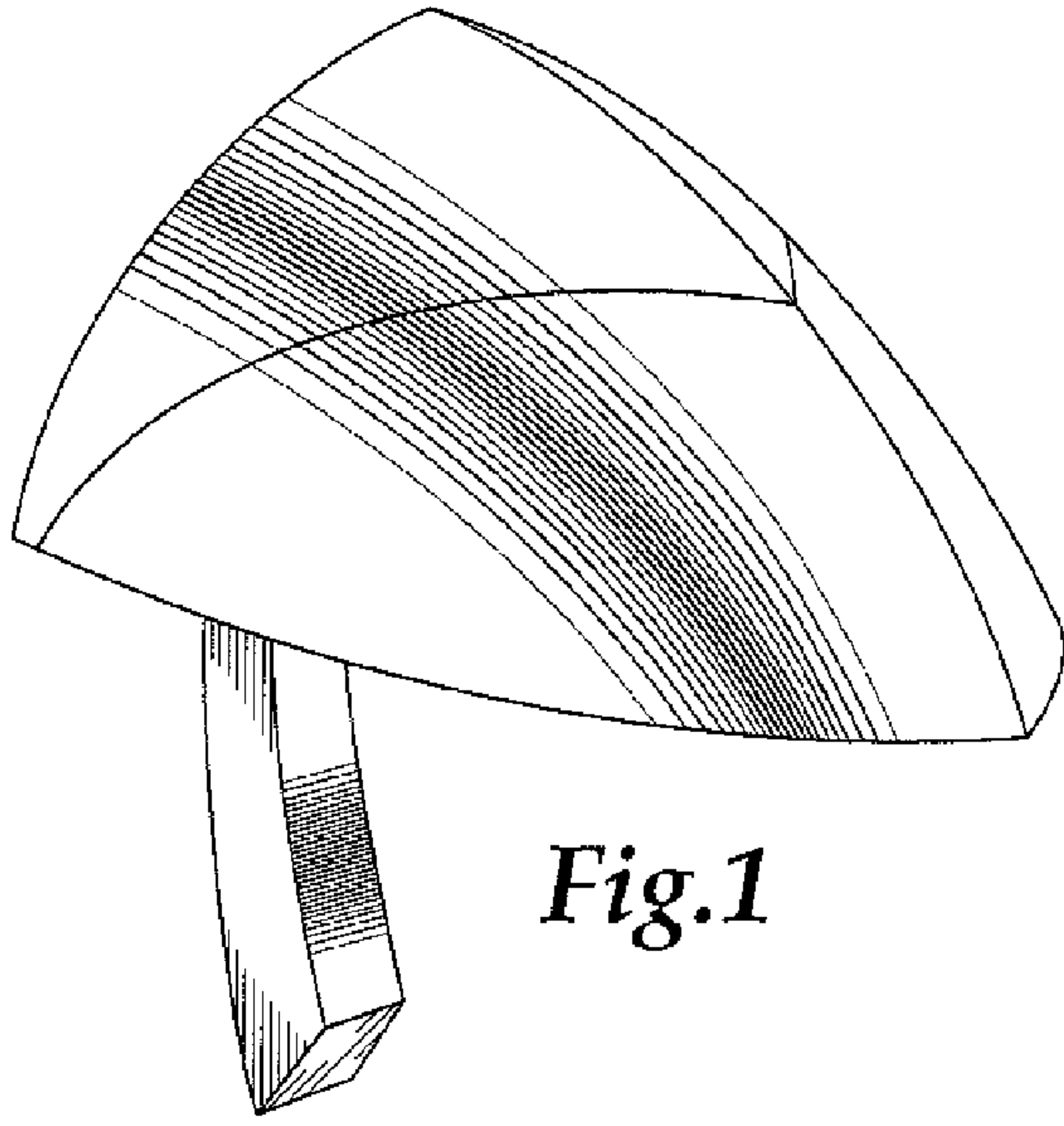


Fig.1

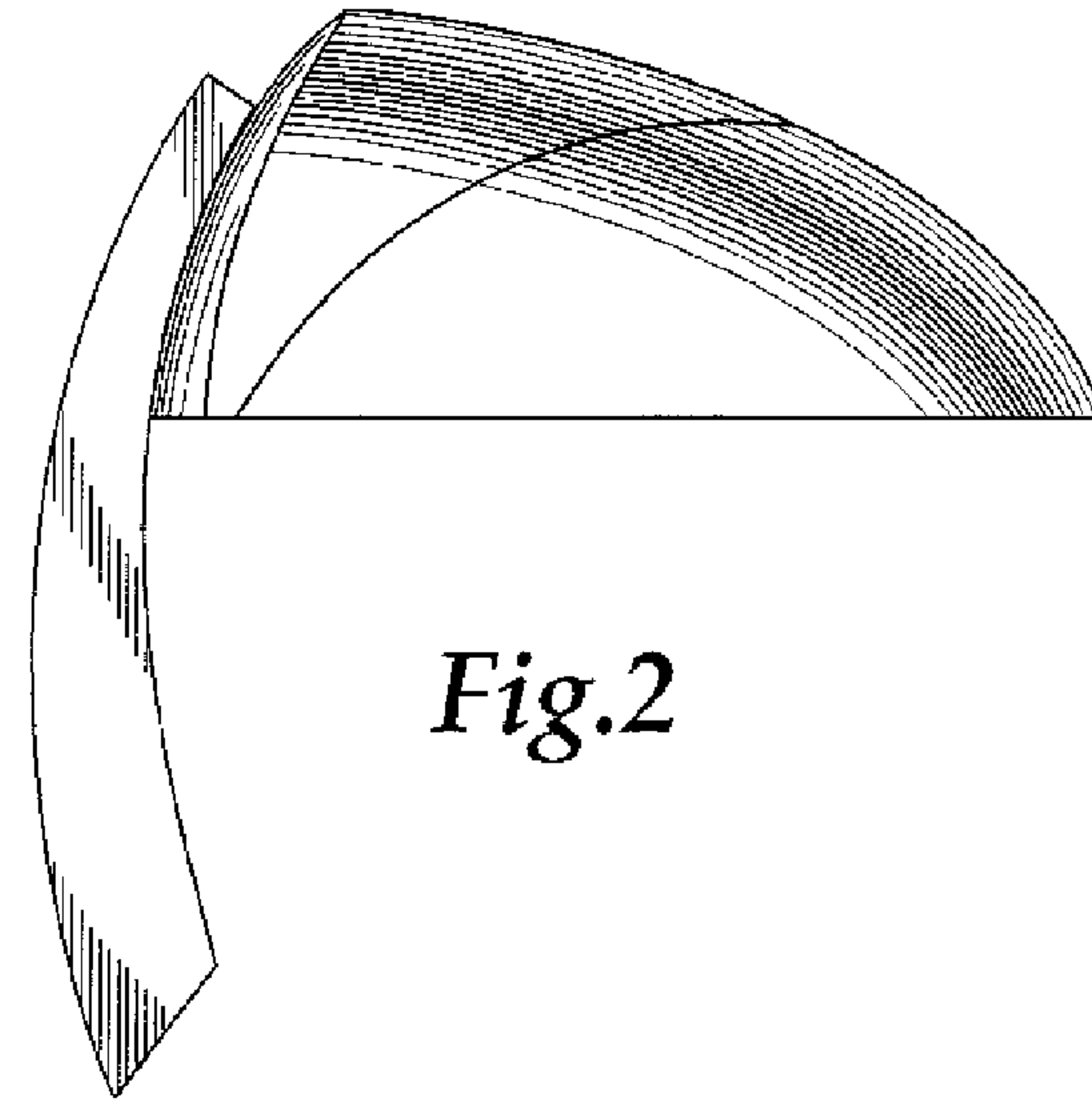


Fig.2

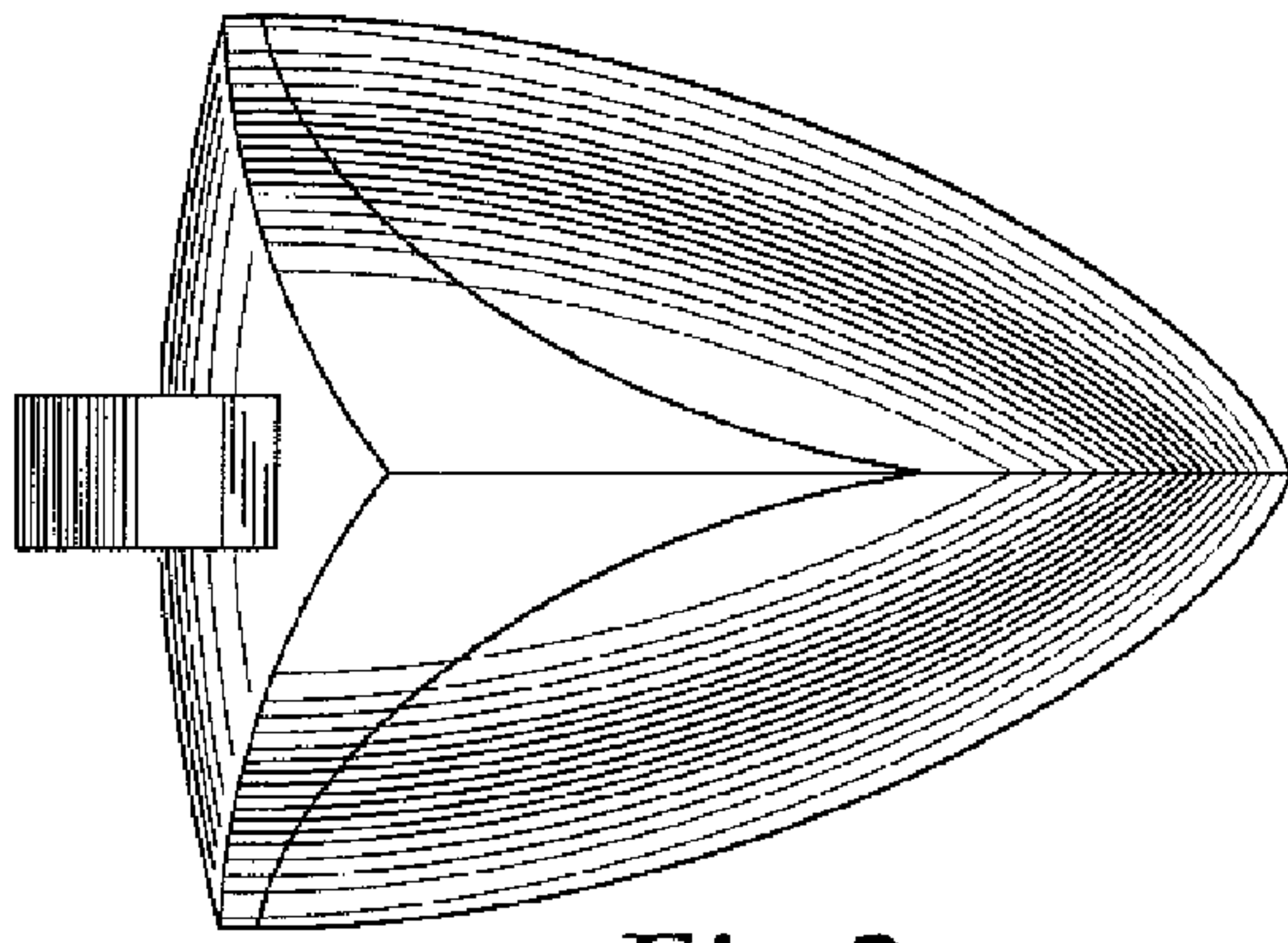


Fig.3

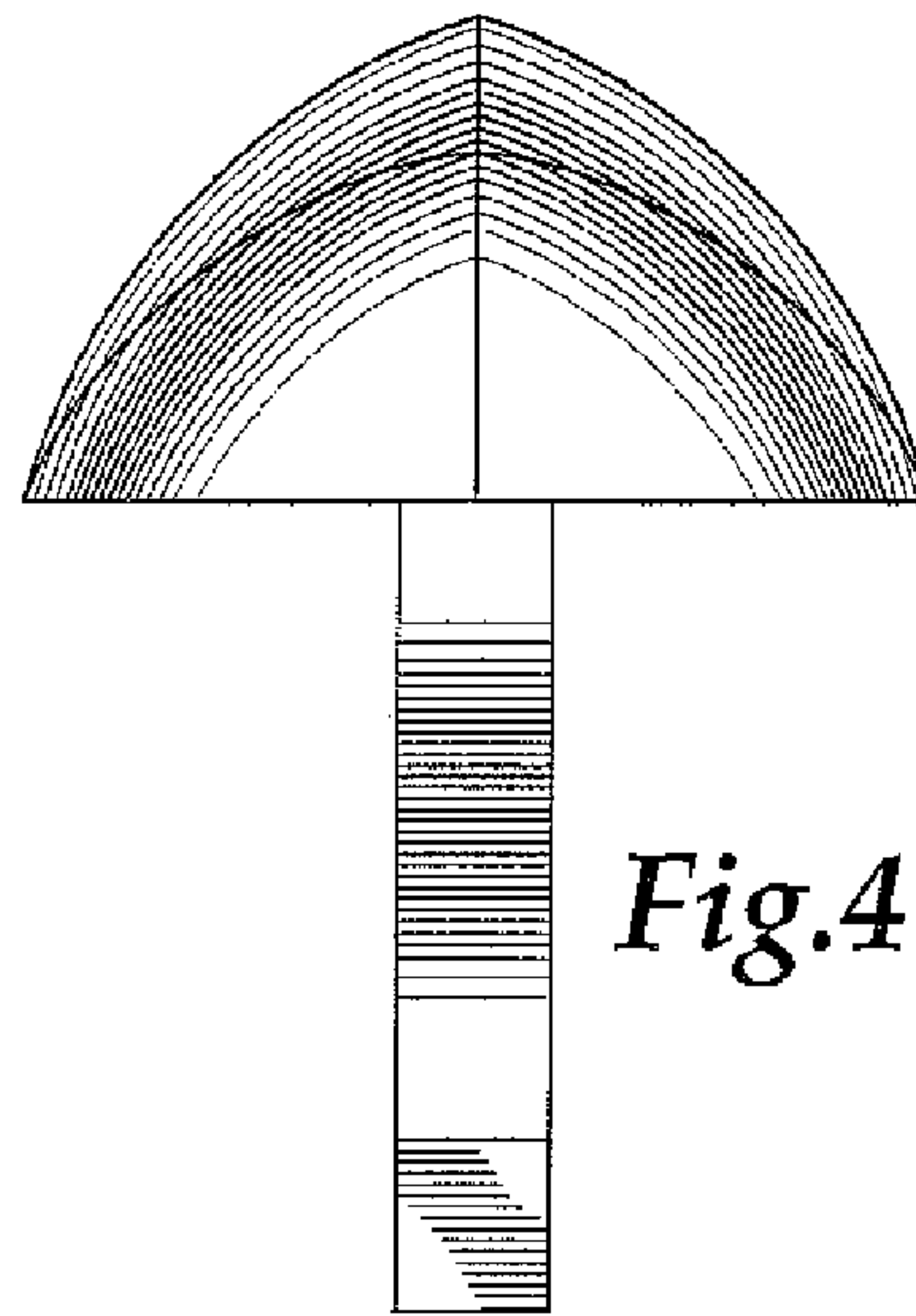


Fig.4

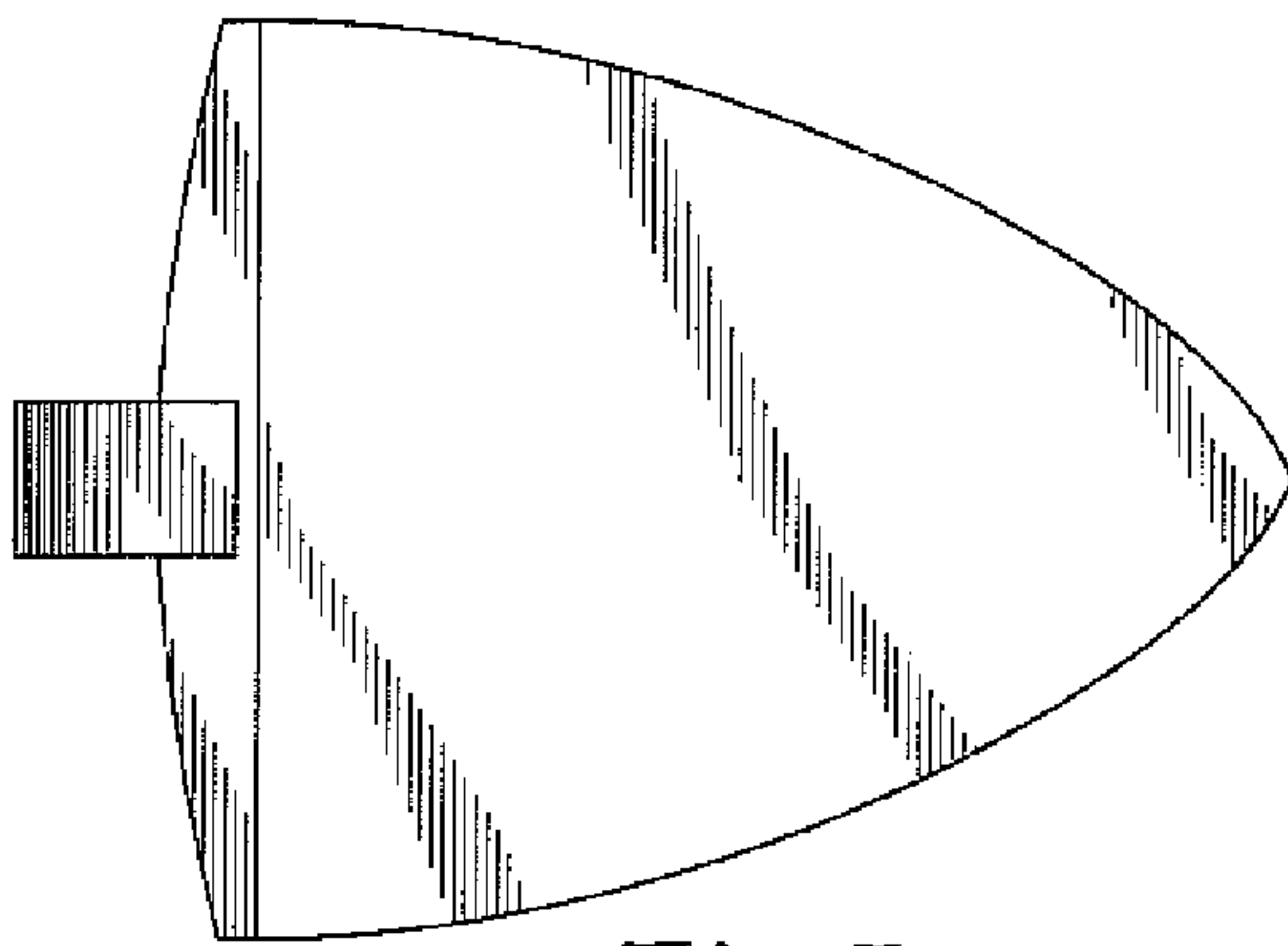


Fig.5

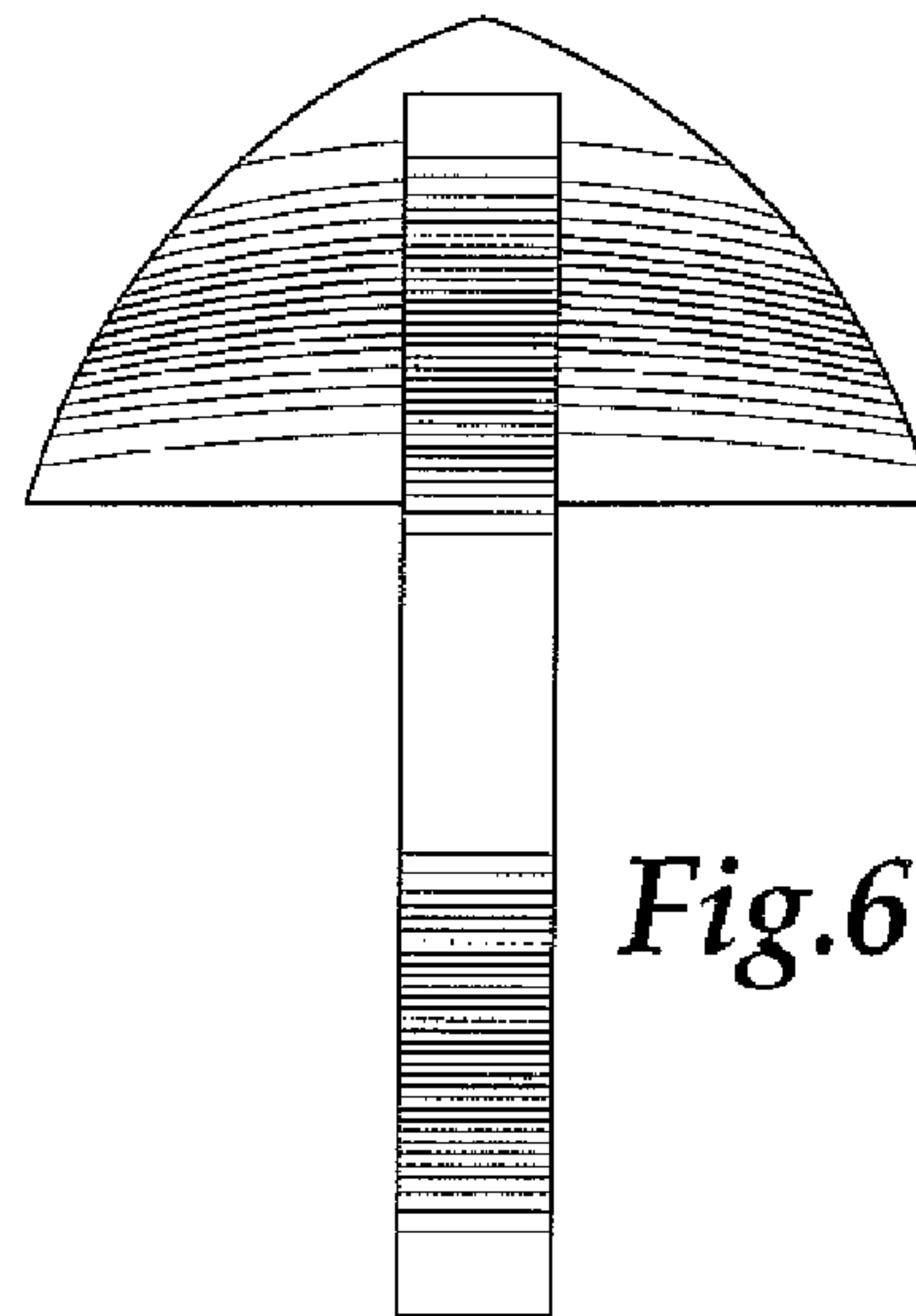


Fig.6