



US00D588291S

(12) **United States Design Patent**  
**VanderWoude**

(10) **Patent No.:** **US D588,291 S**  
(45) **Date of Patent:** **\*\* Mar. 10, 2009**

(54) **HANGING FLASHLIGHT**

(75) Inventor: **Kevin Paul VanderWoude**, Caledonia, MI (US)

(73) Assignee: **Grip On Tools**, Wayland, MI (US)

(\*\*) Term: **14 Years**

(21) Appl. No.: **29/307,015**

(22) Filed: **Mar. 27, 2008**

(51) **LOC (9) Cl.** ..... **26-02**  
(52) **U.S. Cl.** ..... **D26/37**  
(58) **Field of Classification Search** ..... D26/37,  
D26/26, 28, 36, 41, 119, 39, 60, 72; 362/157,  
362/158, 208, 540, 543, 800, 396, 399, 184,  
362/186

See application file for complete search history.

(56) **References Cited**

**U.S. PATENT DOCUMENTS**

3,814,927	A *	6/1974	Buzza	362/296
D240,157	S *	6/1976	Dorn	D26/119
D271,057	S *	10/1983	Tirpik	D26/37
D312,316	S *	11/1990	Molony et al.	D26/37
D357,087	S *	4/1995	Young	D26/60
D544,618	S *	6/2007	Coushaine	D26/37
D561,924	S *	2/2008	Yiu	D26/72
D574,095	S *	7/2008	Hill et al.	D26/26
D577,836	S *	9/2008	Engbrigtsen	D26/24
2007/0030672	A1 *	2/2007	Offiler et al.	362/198
2007/0139917	A1 *	6/2007	Ford et al.	362/208

**OTHER PUBLICATIONS**

Grip on Tools, signed by Elias Amash CEO, Letter to TV Products USA Inc., Sep. 30, 2008.

\* cited by examiner

*Primary Examiner*—Ian Simmons  
*Assistant Examiner*—Carissa C Fitts

(57) **CLAIM**

What is claimed is the ornamental design for the hanging flashlight, as shown and described.

**DESCRIPTION**

FIG. 1 is a bottom perspective view of the first embodiment of the hanging flashlight showing my new design,

FIG. 2 is a front elevational view thereof;

FIG. 3 is a first side elevational view thereof;

FIG. 4 is a rear elevational view thereof;

FIG. 5 is a second side elevational view thereof;

FIG. 6 is a top plan view thereof;

FIG. 7 is a bottom plan view thereof;

FIG. 8 is a bottom perspective view of the second embodiment of the hanging flashlight showing my new design,

FIG. 9 is a front elevational view thereof;

FIG. 10 is a first side elevational view thereof;

FIG. 11 is a rear elevational view thereof;

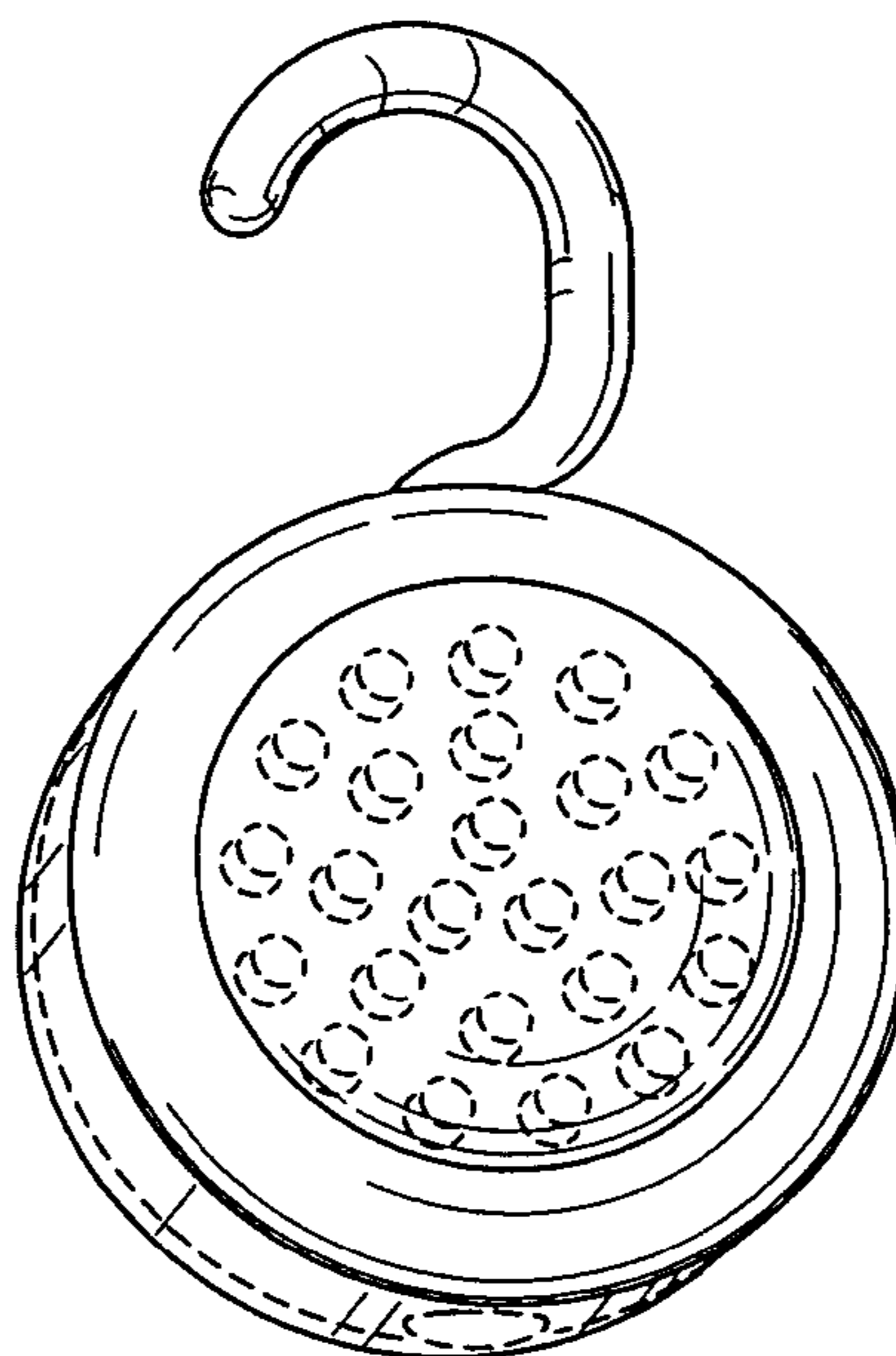
FIG. 12 is a second side elevational view thereof;

FIG. 13 is a top plan view thereof; and,

FIG. 14 is a bottom plan view thereof.

The dashed lines within the figures are shown for illustrative purposes only and form no part of the claimed invention.

**1 Claim, 2 Drawing Sheets**



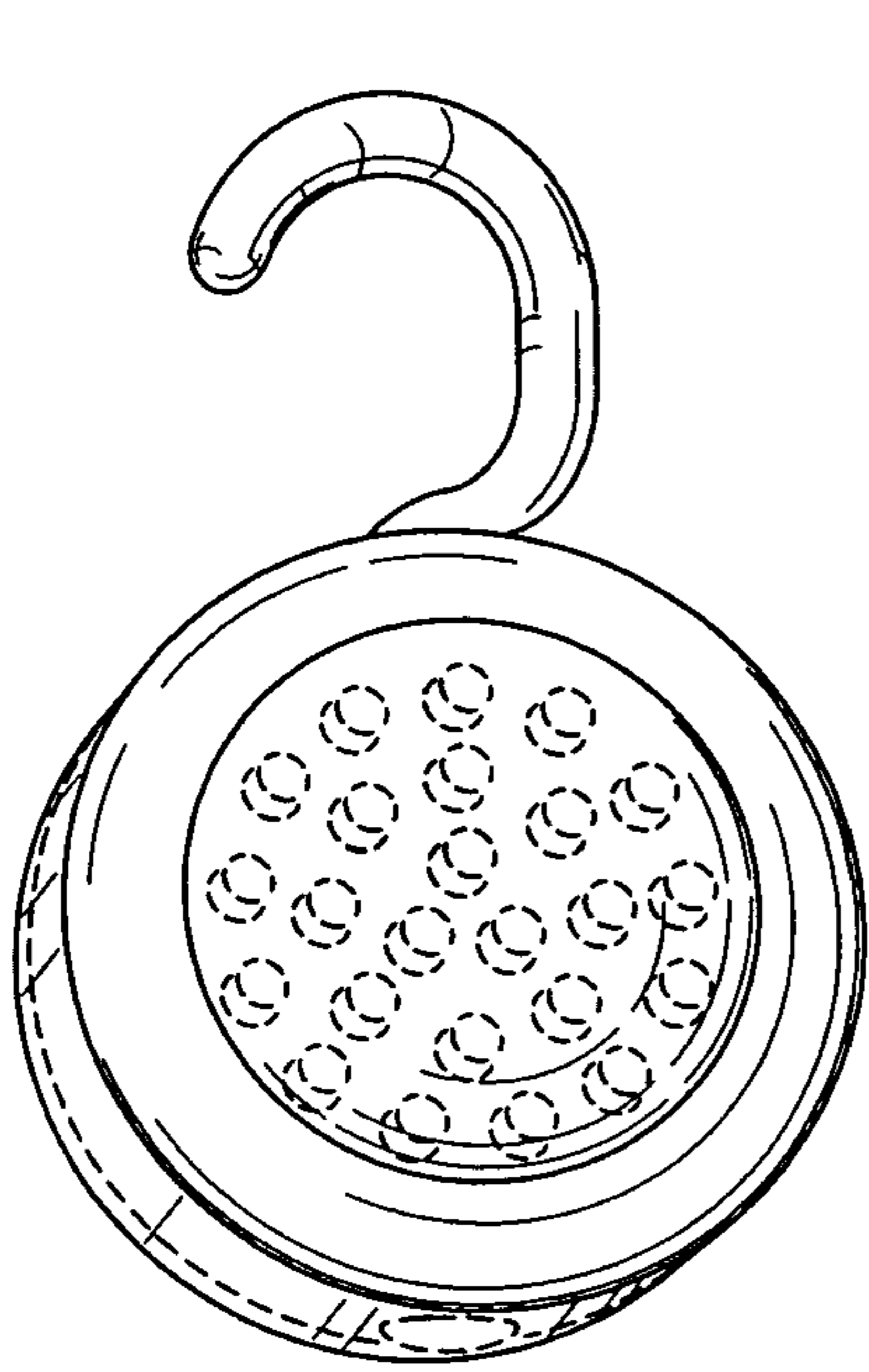


FIG. 1

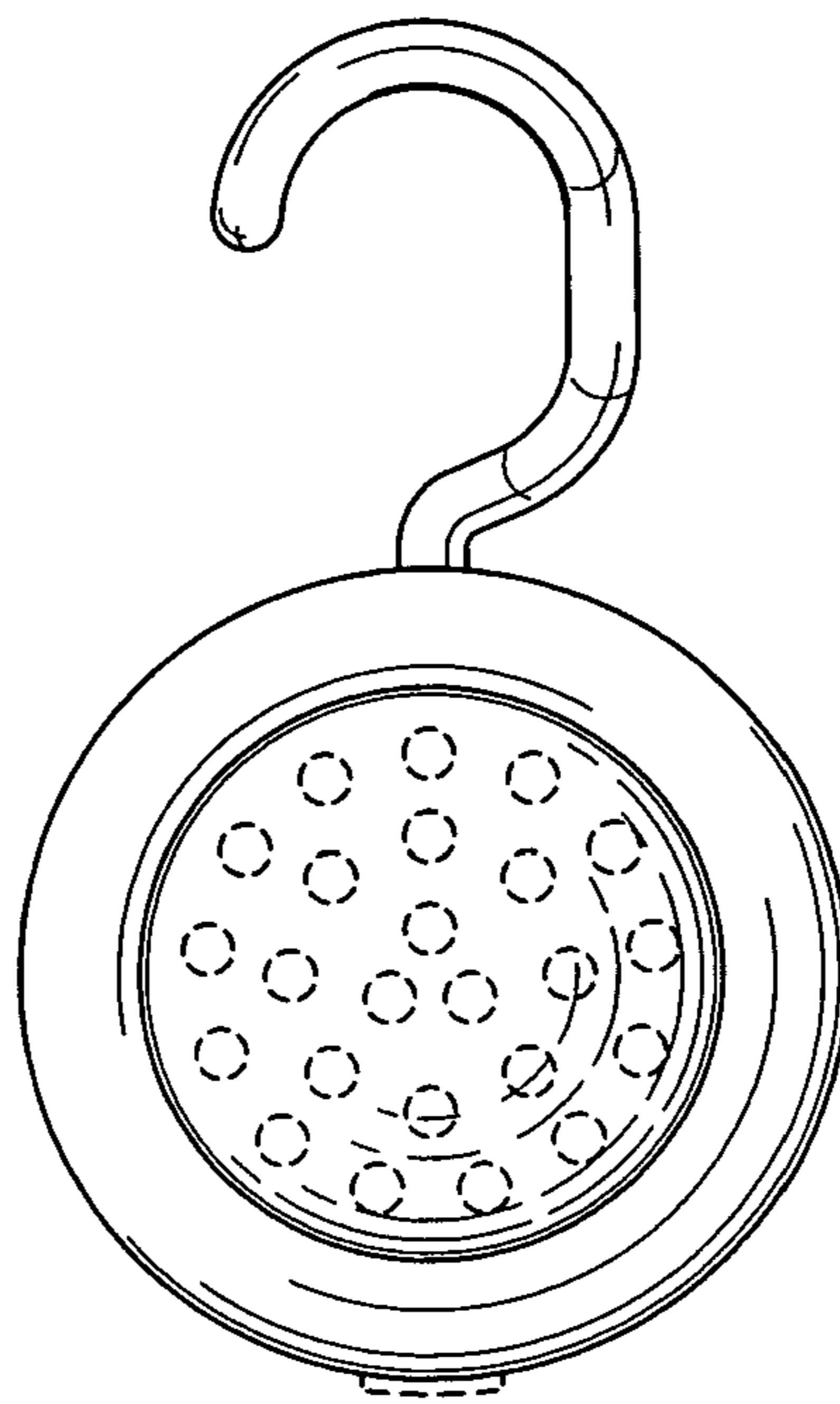


FIG. 2

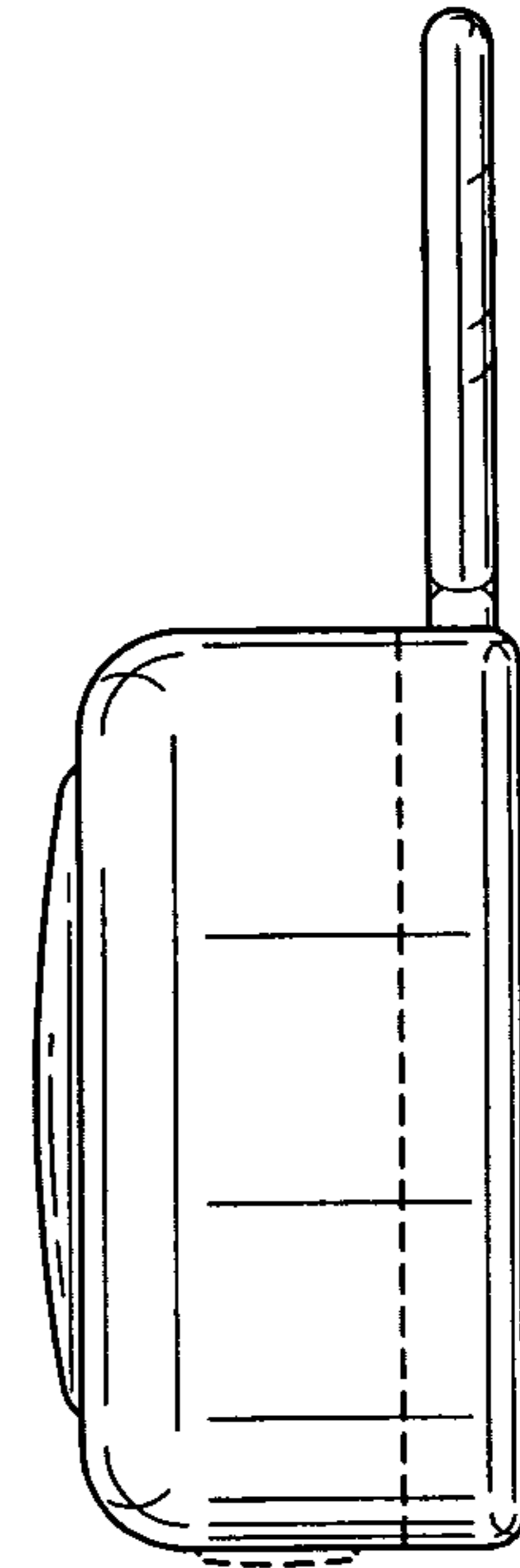


FIG. 3

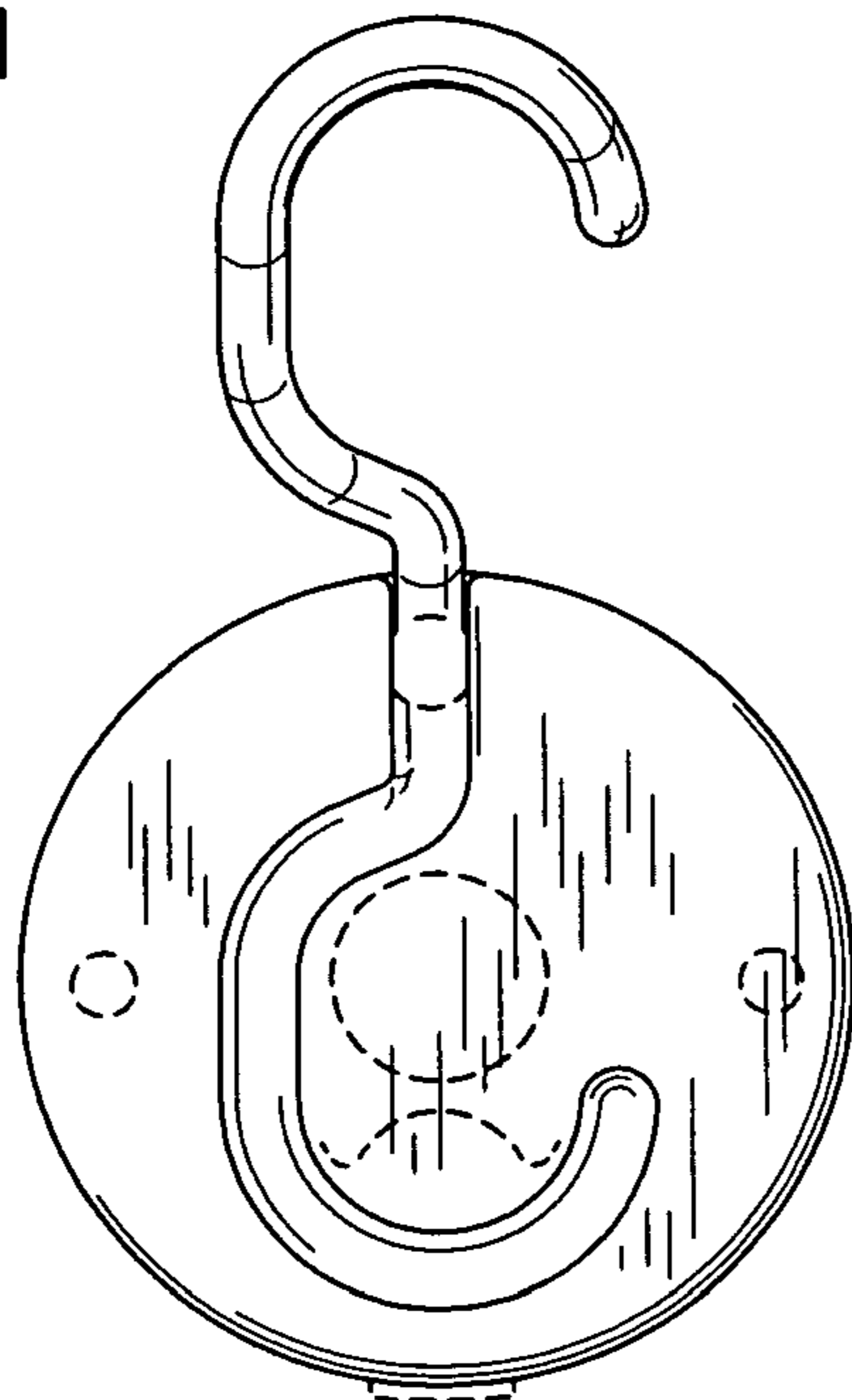


FIG. 4

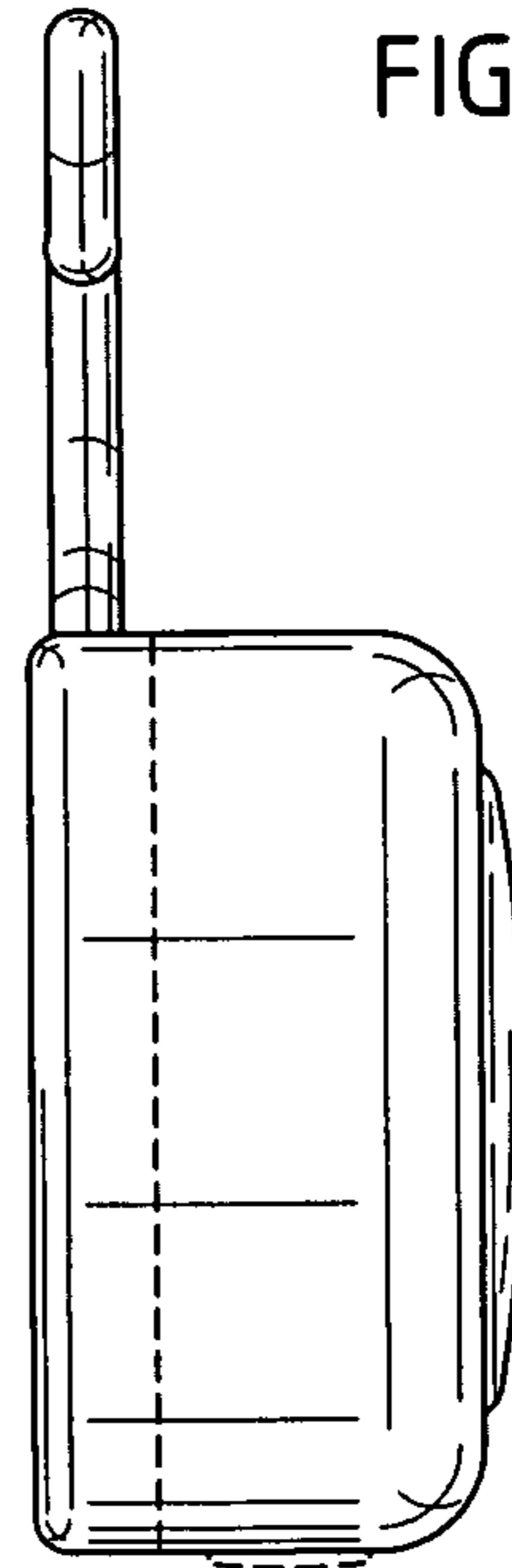


FIG. 5

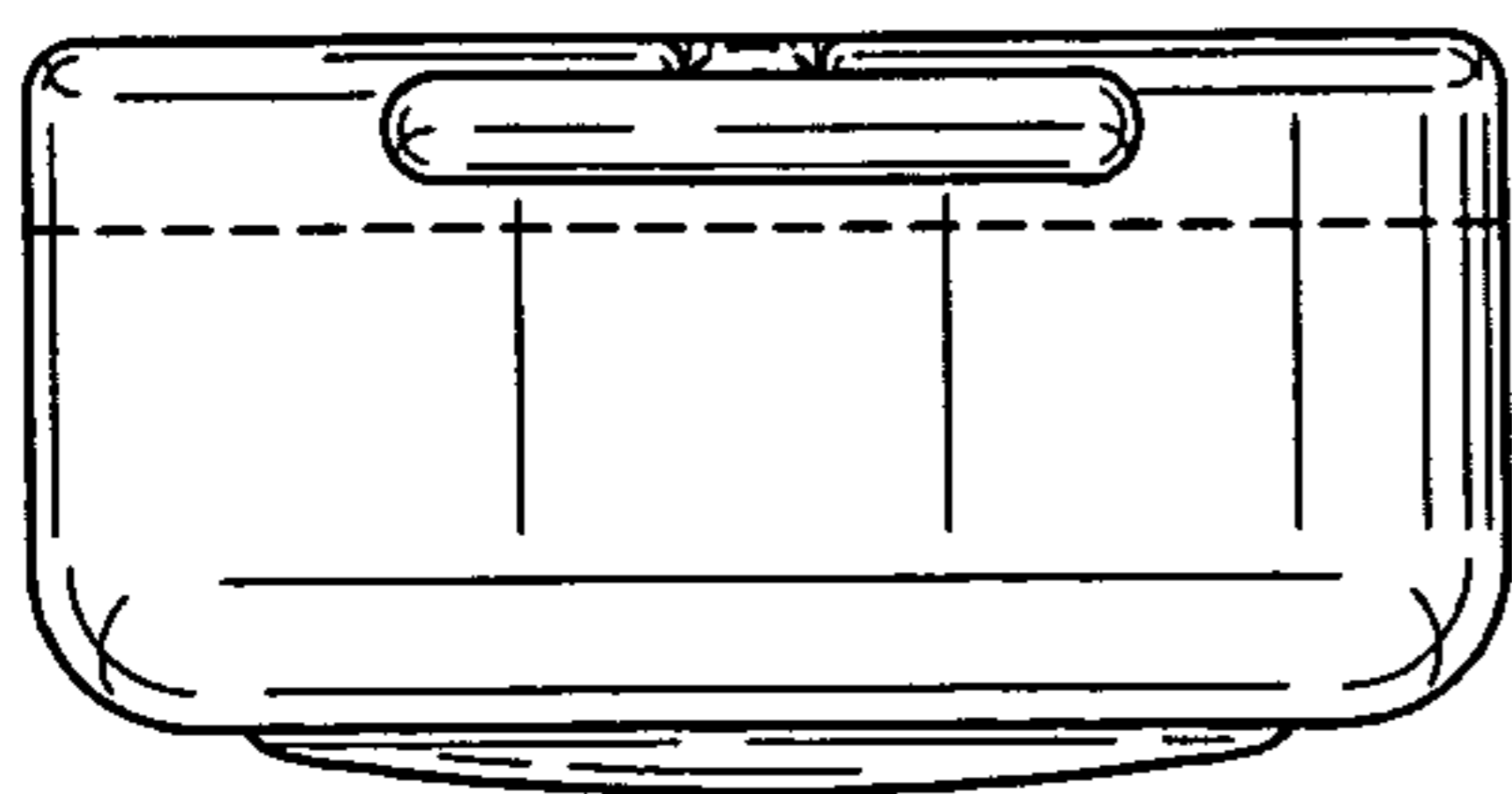


FIG. 6

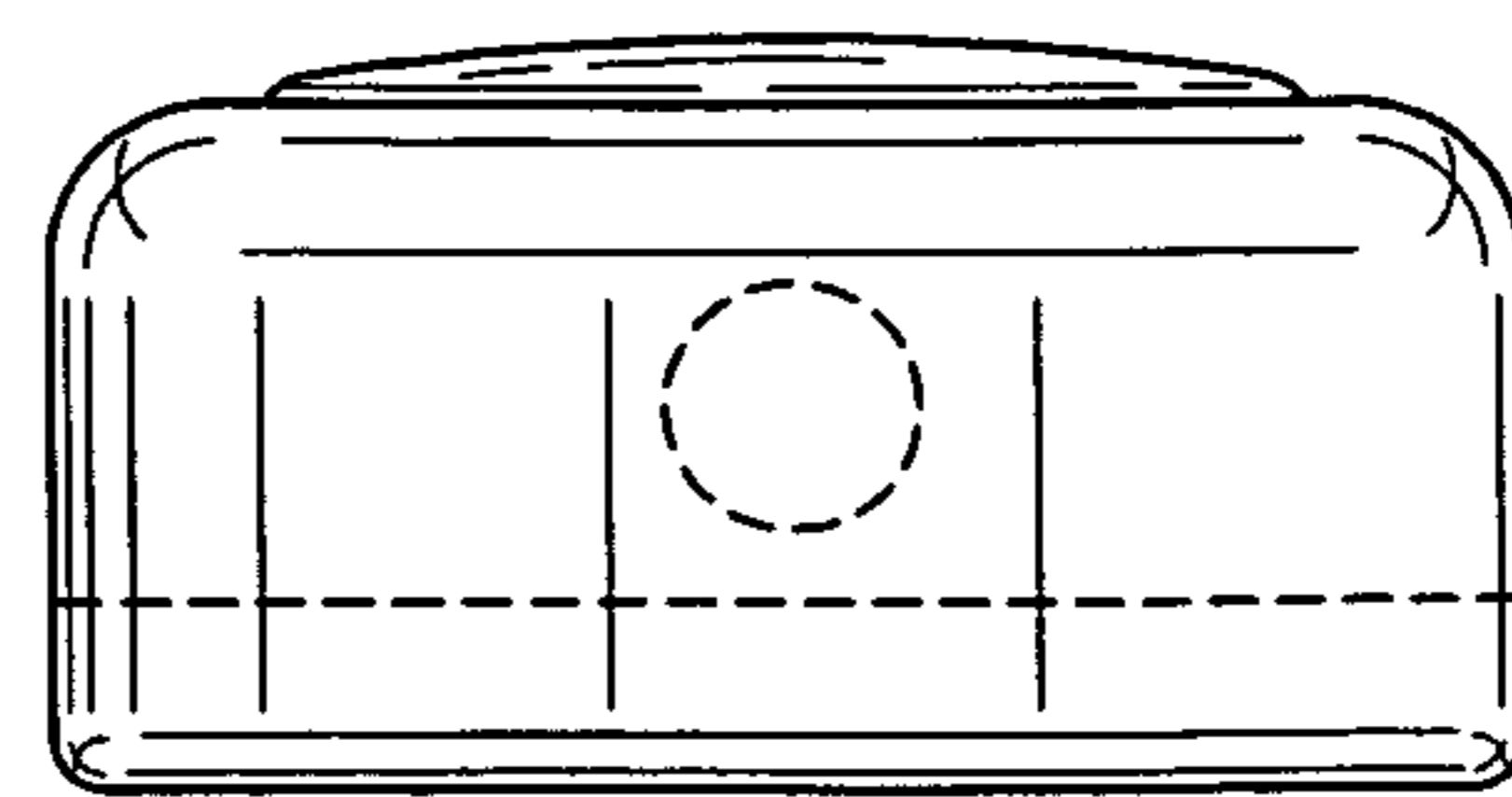


FIG. 7

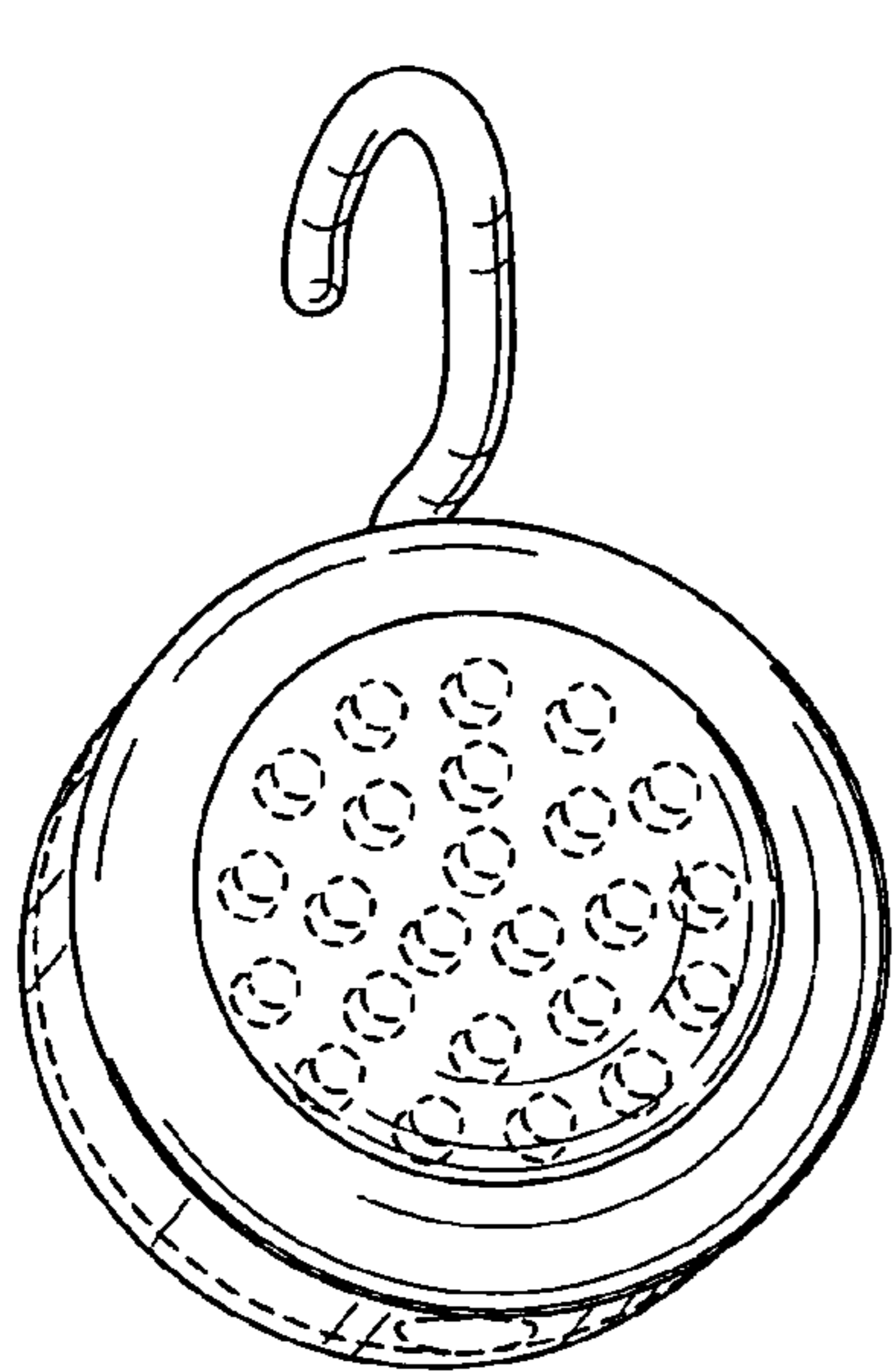


FIG. 8

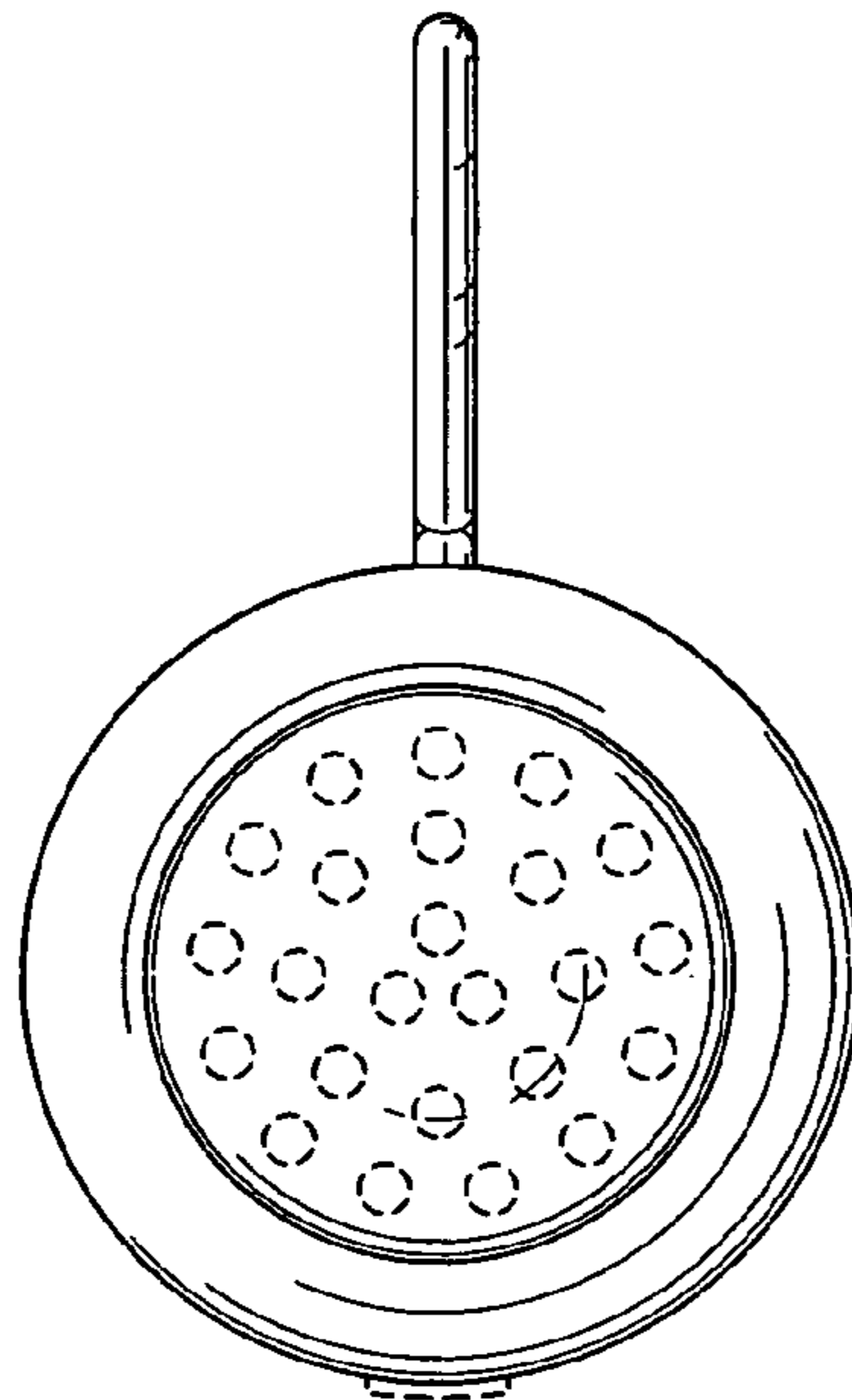


FIG. 9

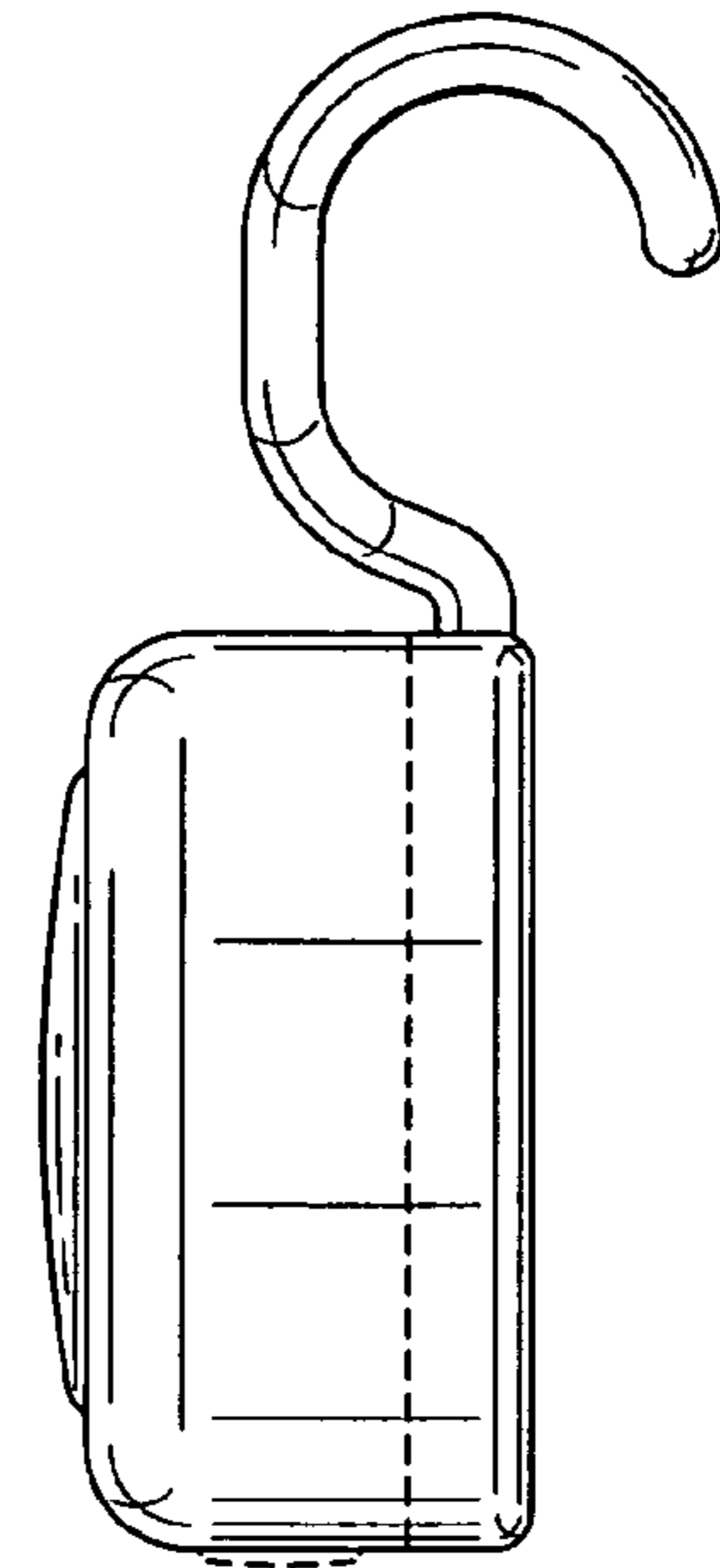


FIG. 10

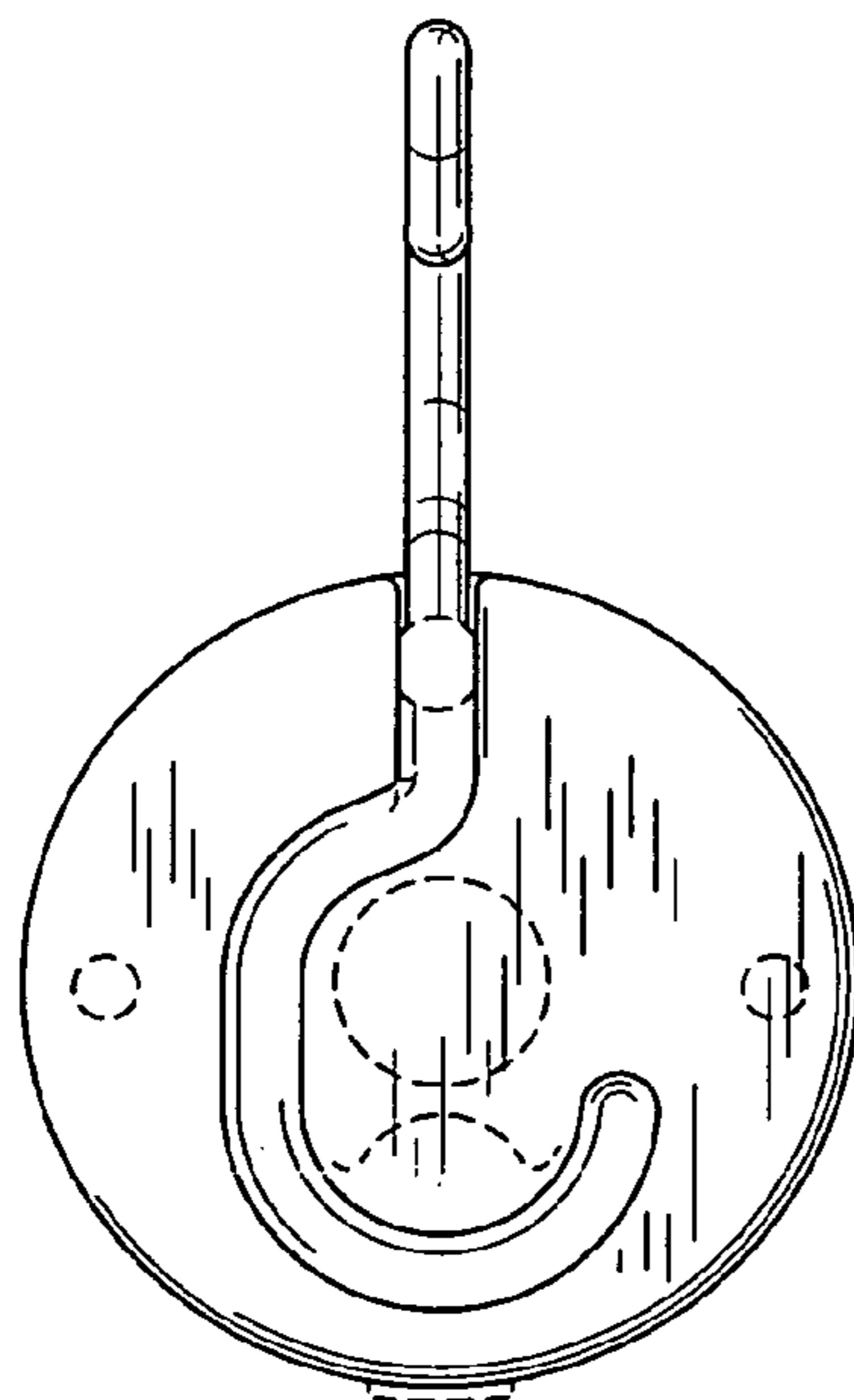


FIG. 11

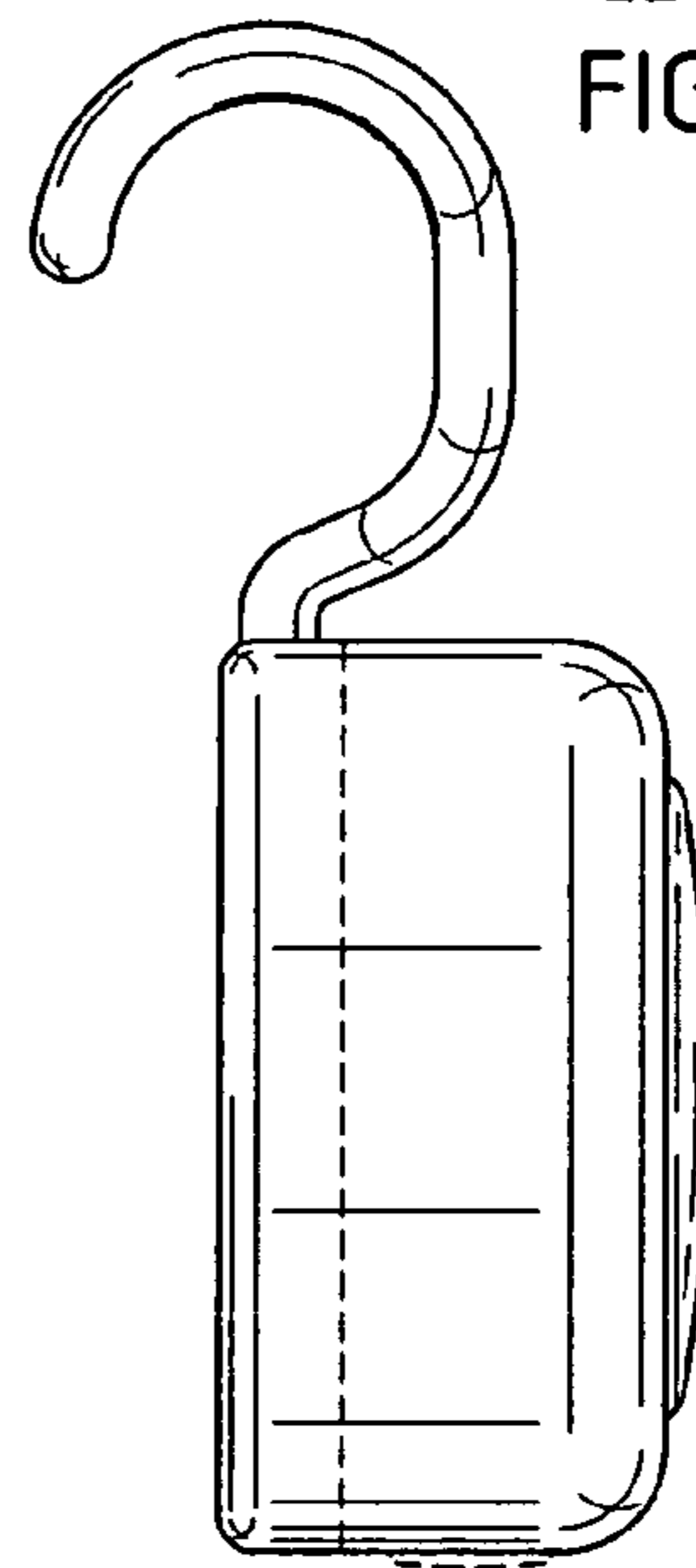


FIG. 12

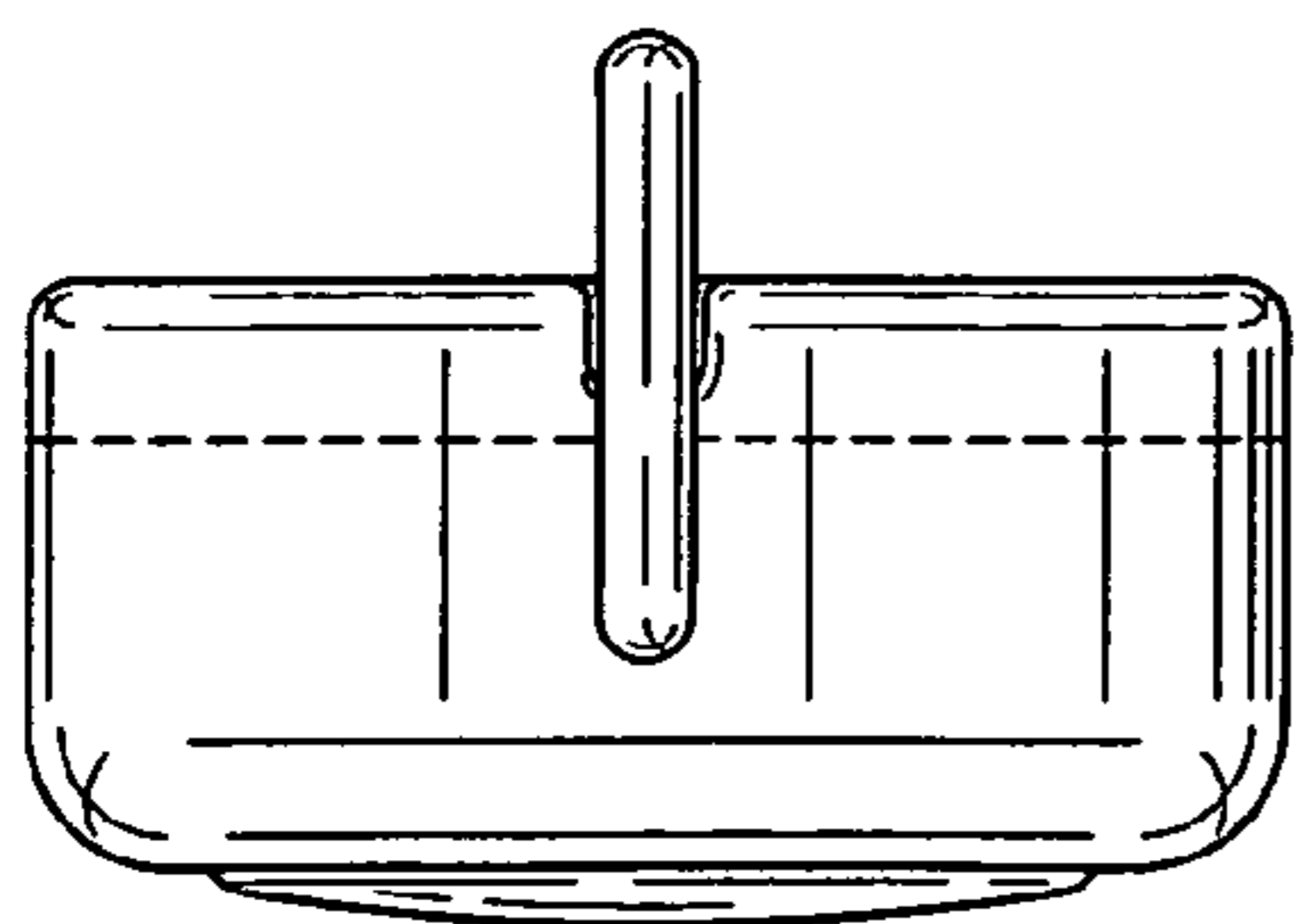


FIG. 13

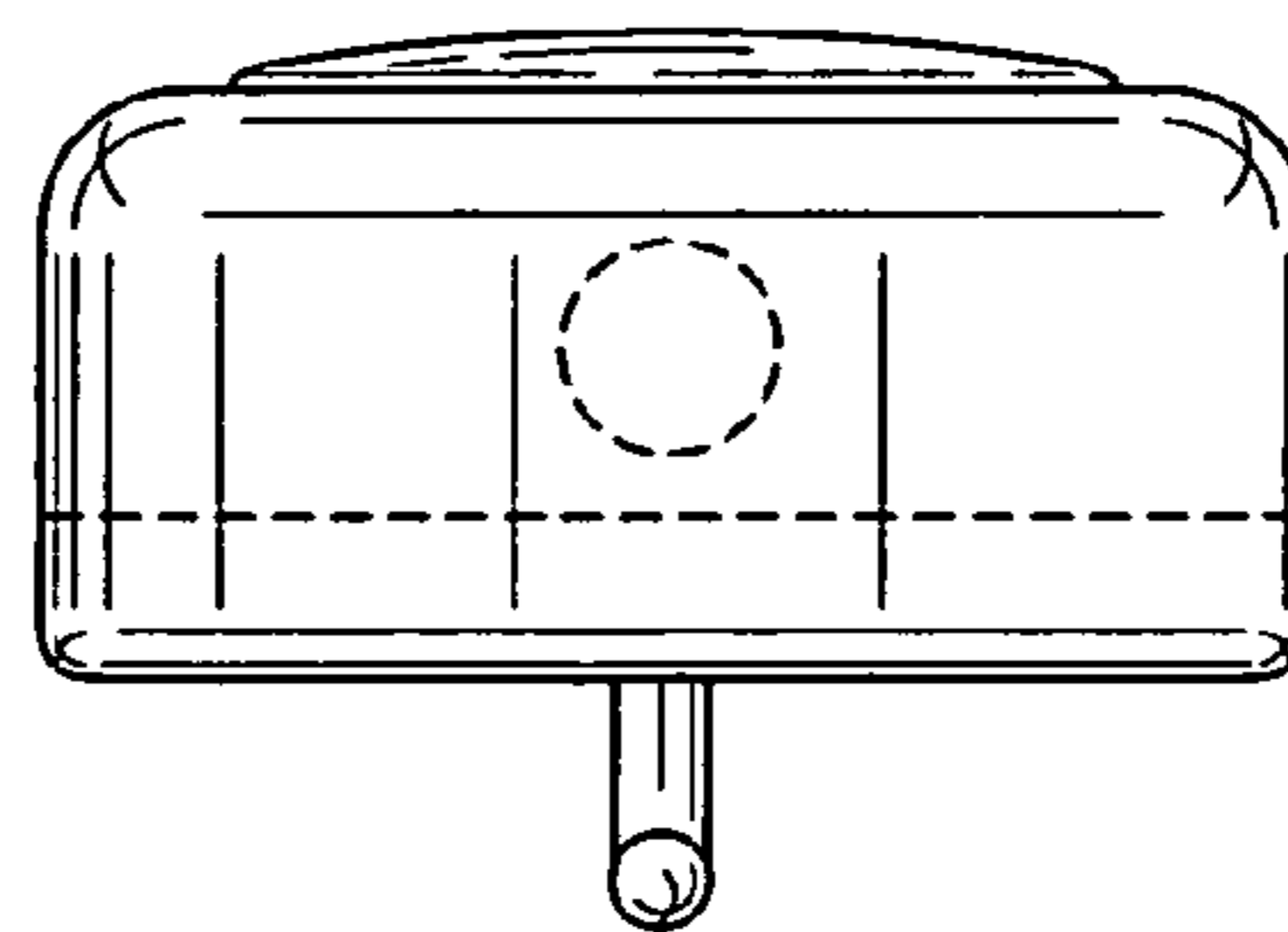


FIG. 14