



US00D588290S

(12) **United States Design Patent**
Coushaine et al.

(10) **Patent No.:** **US D588,290 S**
(45) **Date of Patent:** **** Mar. 10, 2009**

(54) **EXTERIOR VEHICLE LAMP**

(75) Inventors: **Charles M Coushaine**, Rindge, NH (US); **Michael Tucker**, Henniker, NH (US)

(73) Assignee: **Osram Sylvania Inc.**, Danvers, MA (US)

(**) Term: **14 Years**

(21) Appl. No.: **29/328,458**

(22) Filed: **Nov. 25, 2008**

(51) **LOC (9) Cl.** **26-06**

(52) **U.S. Cl.** **D26/28**

(58) **Field of Classification Search** D26/28-36;
362/459-468, 475-478, 485-487

See application file for complete search history.

(56) **References Cited**

U.S. PATENT DOCUMENTS

D572,856 S *	7/2008	Kehl et al.	D26/61
D574,978 S *	8/2008	Hyodo et al.	D26/28
D577,836 S *	9/2008	Engelbrigtsen	D26/24
D578,685 S *	10/2008	Manus	D26/28
D581,069 S *	11/2008	Vanderhoek	D26/28

* cited by examiner

Primary Examiner—Marcus A. Jackson

(74) *Attorney, Agent, or Firm*—William E. Meyer

(57) **CLAIM**

The ornamental design for exterior vehicle lame, as shown and described.

DESCRIPTION

FIG. 1 is a perspective view of a exterior vehicle lamp showing the new design, the dashed support forming no part of the claimed design;

FIG. 2 is a front view thereof, the dashed support forming no part of the claimed design;

FIG. 3 is right side view thereof, the dashed support forming no part of the claimed design;

FIG. 4 is a left side view thereof, the dashed support forming no part of the claimed design;

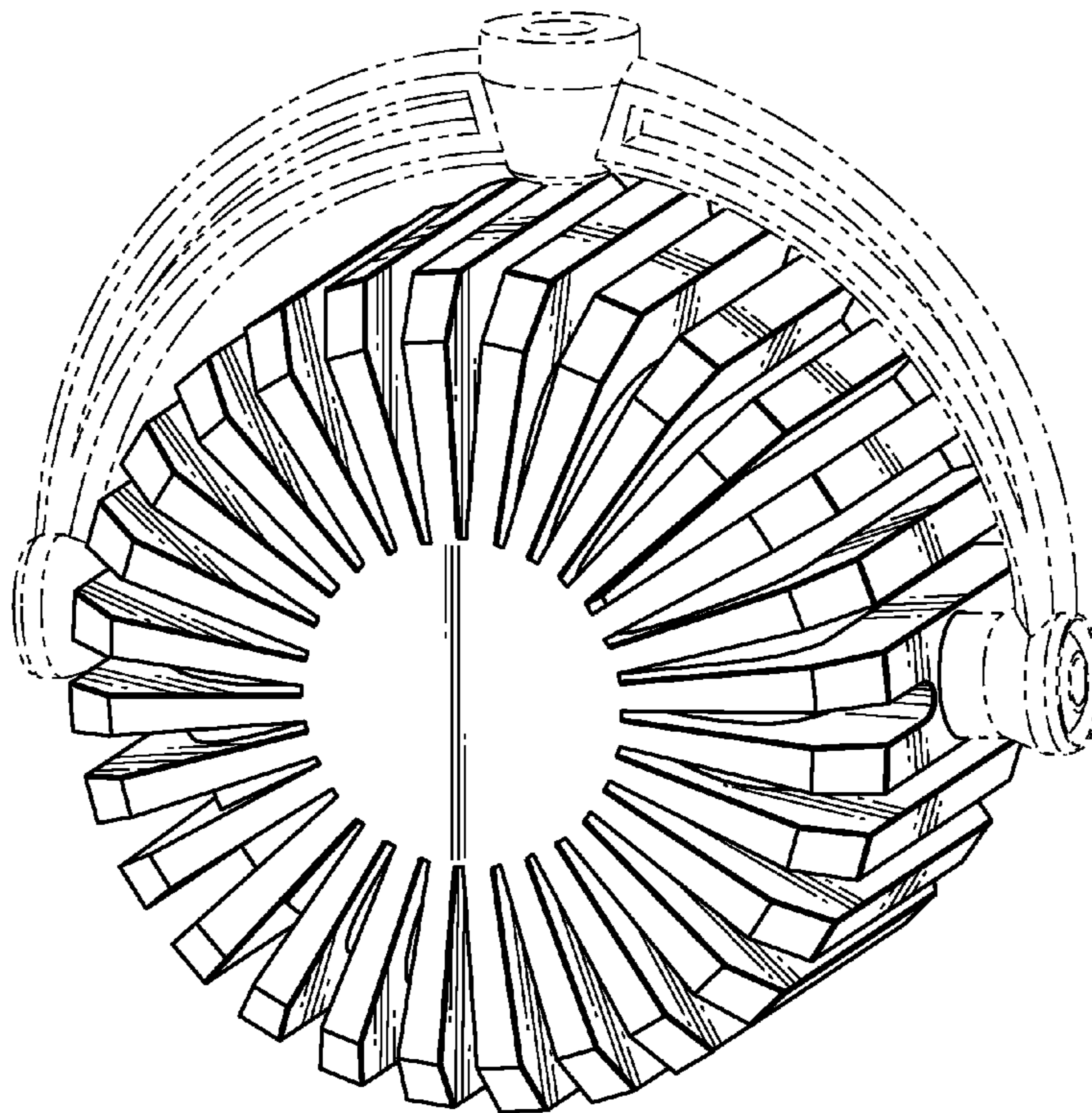
FIG. 5 is a back view thereof, the dashed support forming no part of the claimed design;

FIG. 6 is a top view thereof, the dashed support forming no part of the claimed design; and,

FIG. 7 is a bottom view of an exterior vehicle lamp showing the new design, the dashed support forming no part of the claimed design.

The back view shown in FIG. 5 is shown for the completeness of disclosure—the back of the exterior vehicle lamp may have features and structures other than as shown such as structure for mounting on a vehicle, or for making an electrical connection the form no part of the claimed design. Surface texture forms no part of the claimed design.

1 Claim, 6 Drawing Sheets



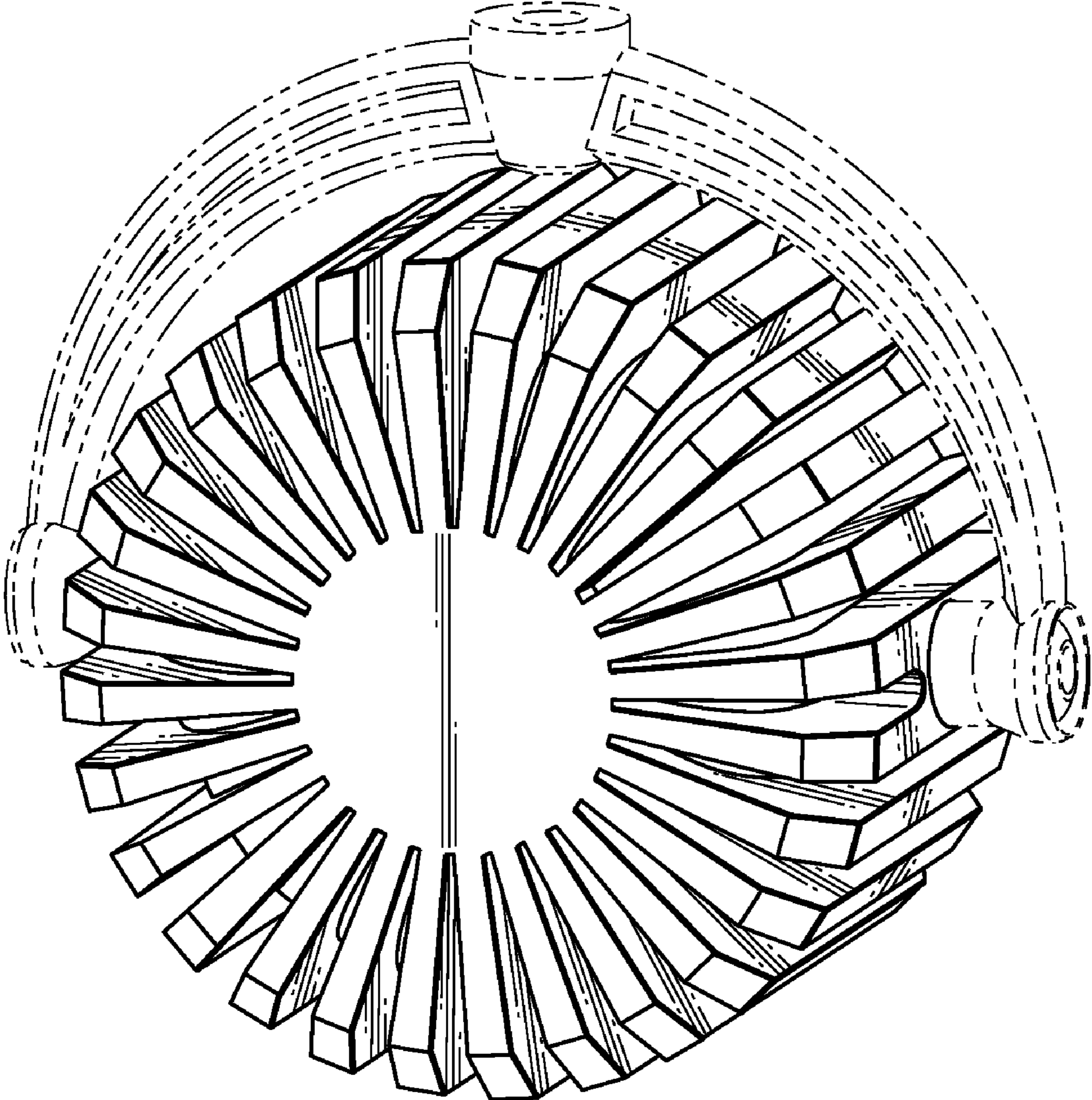


FIG. 1

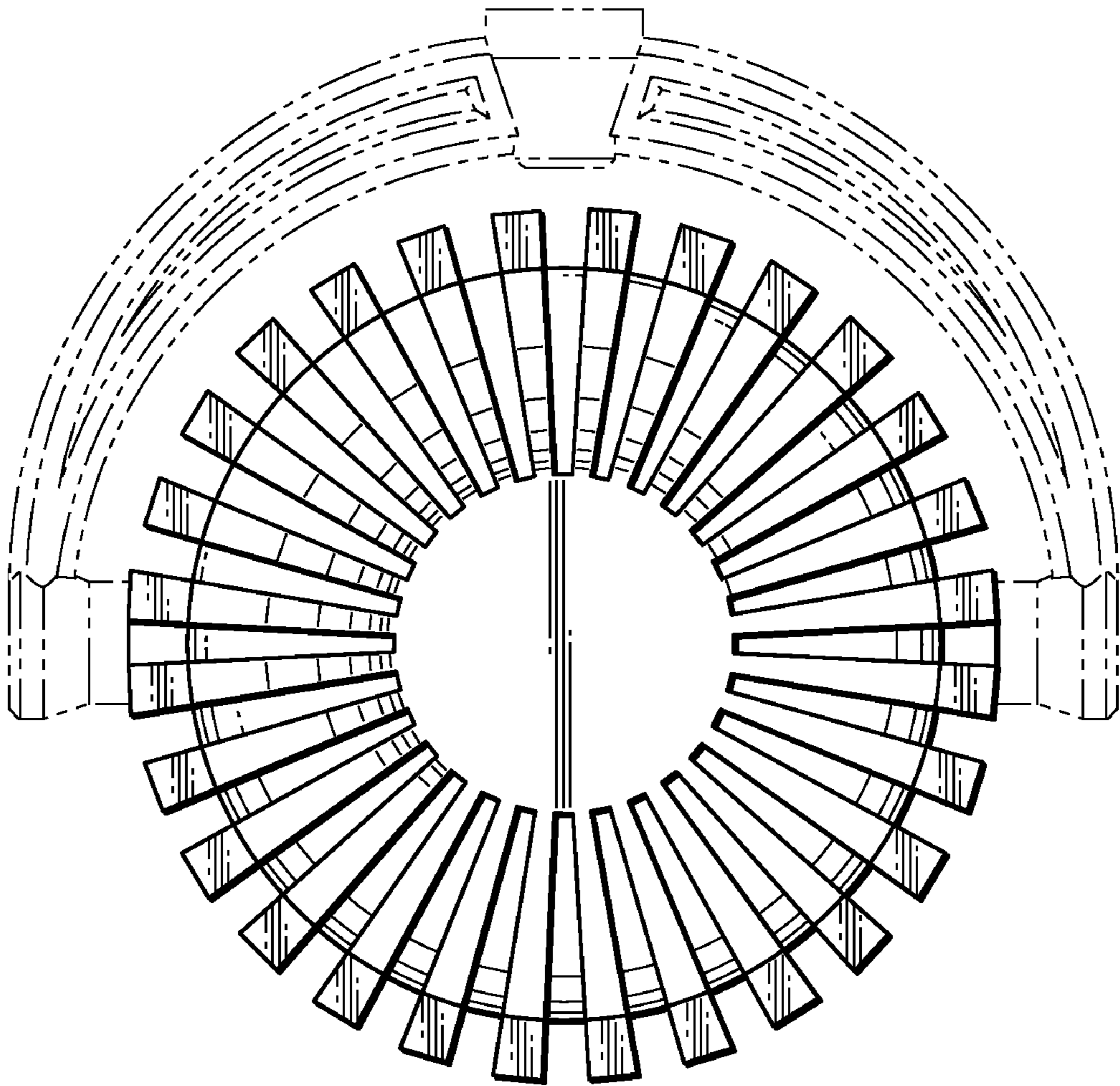


FIG. 2

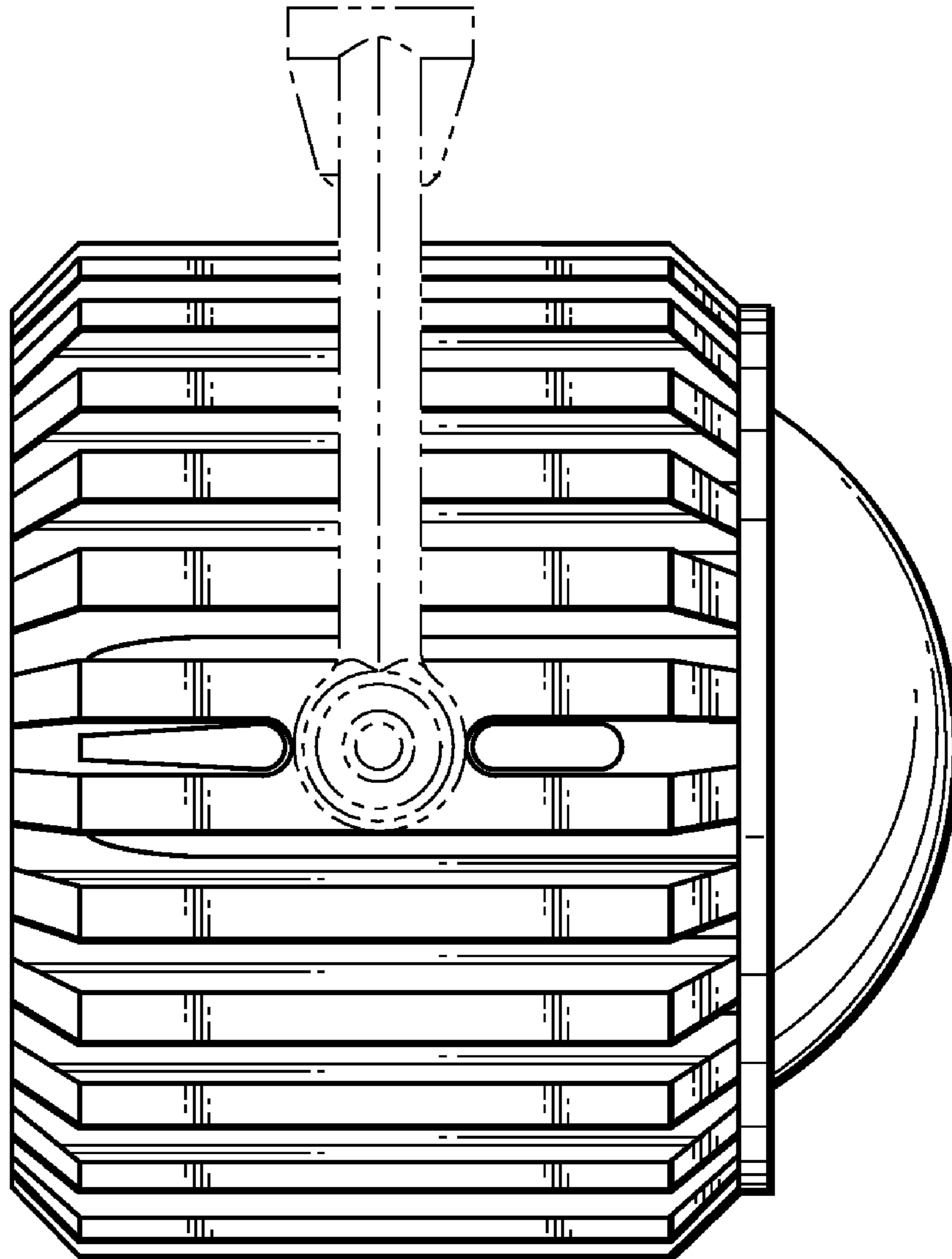


FIG. 3

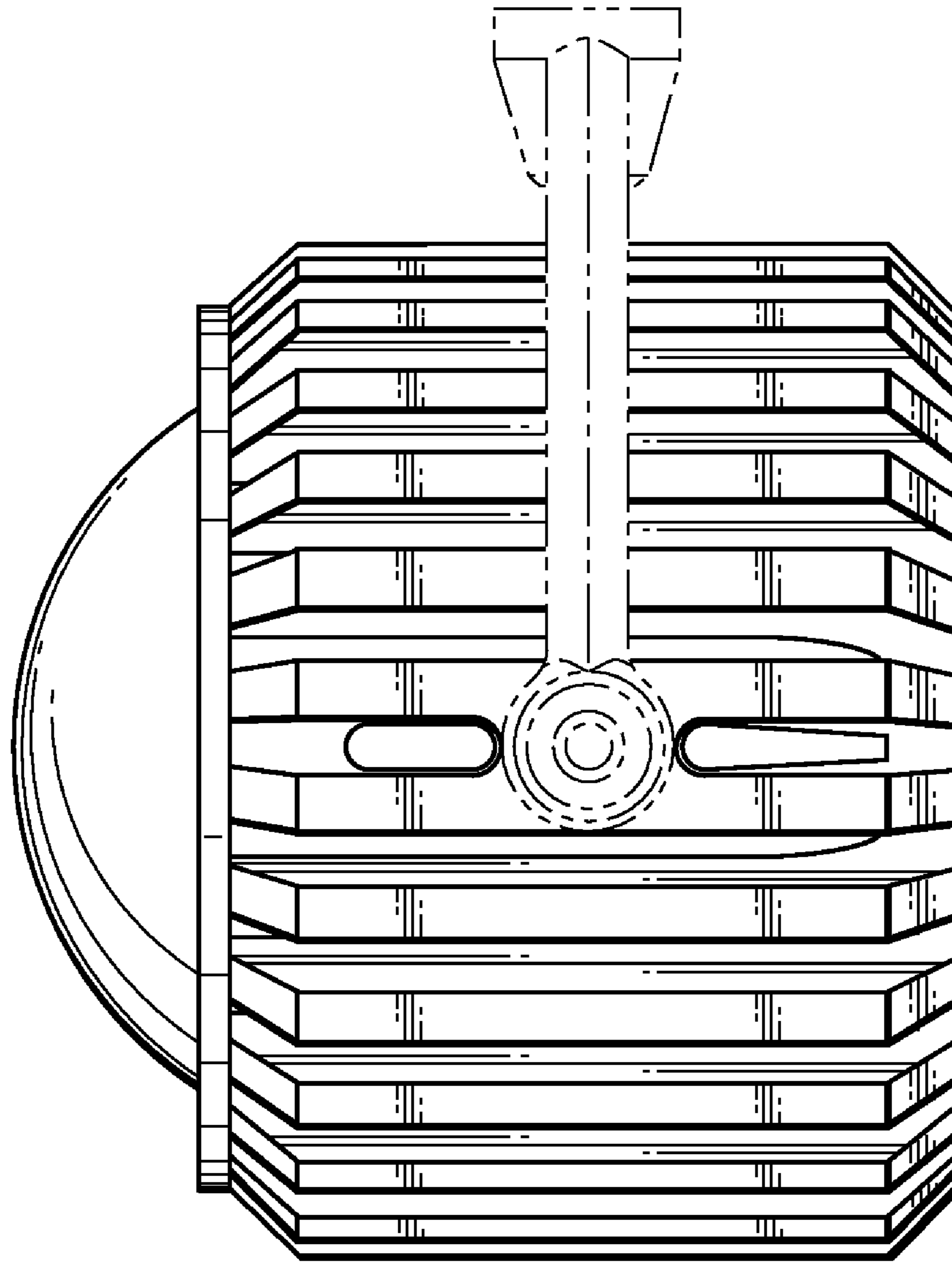


FIG. 4

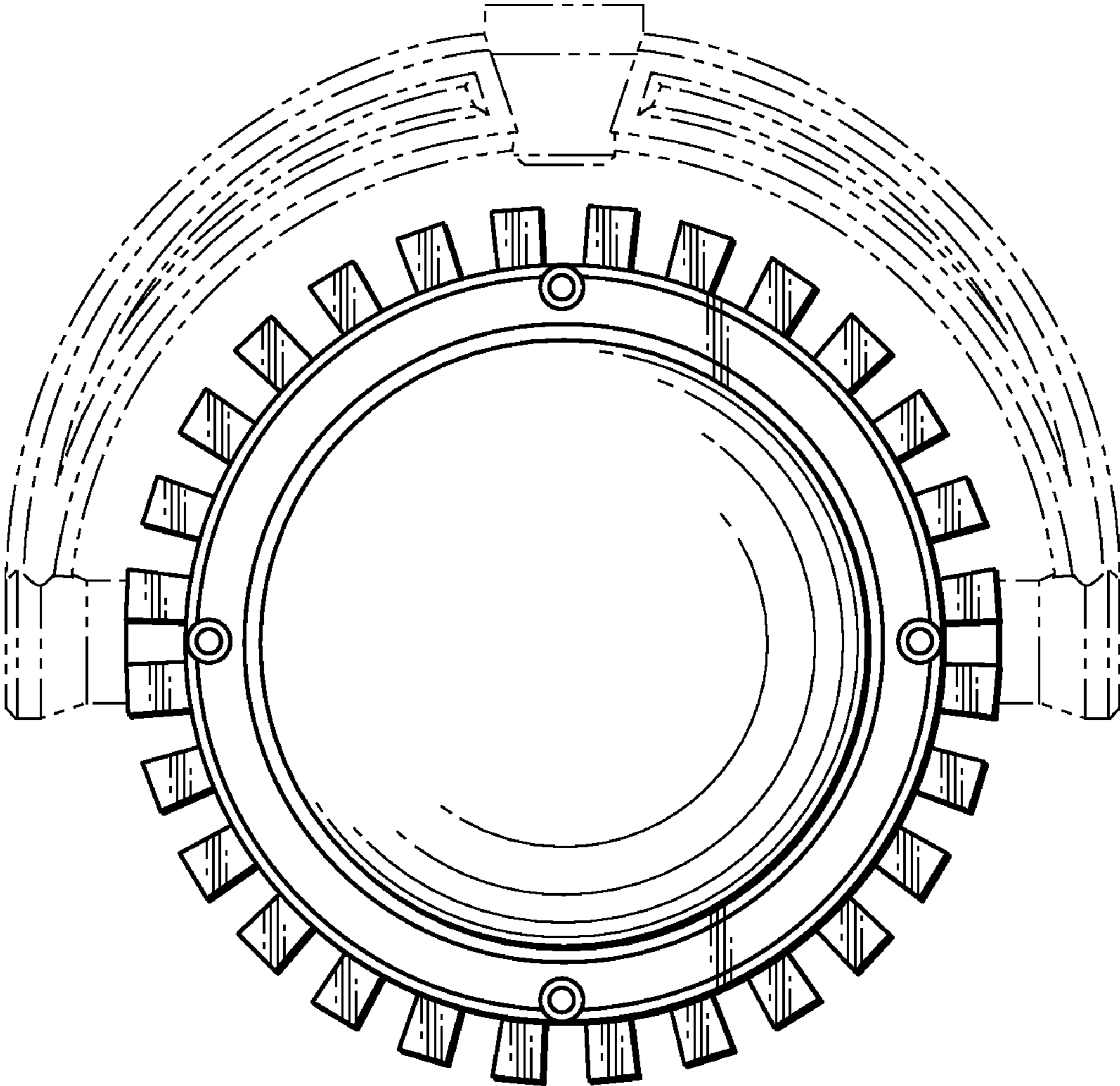


FIG. 5

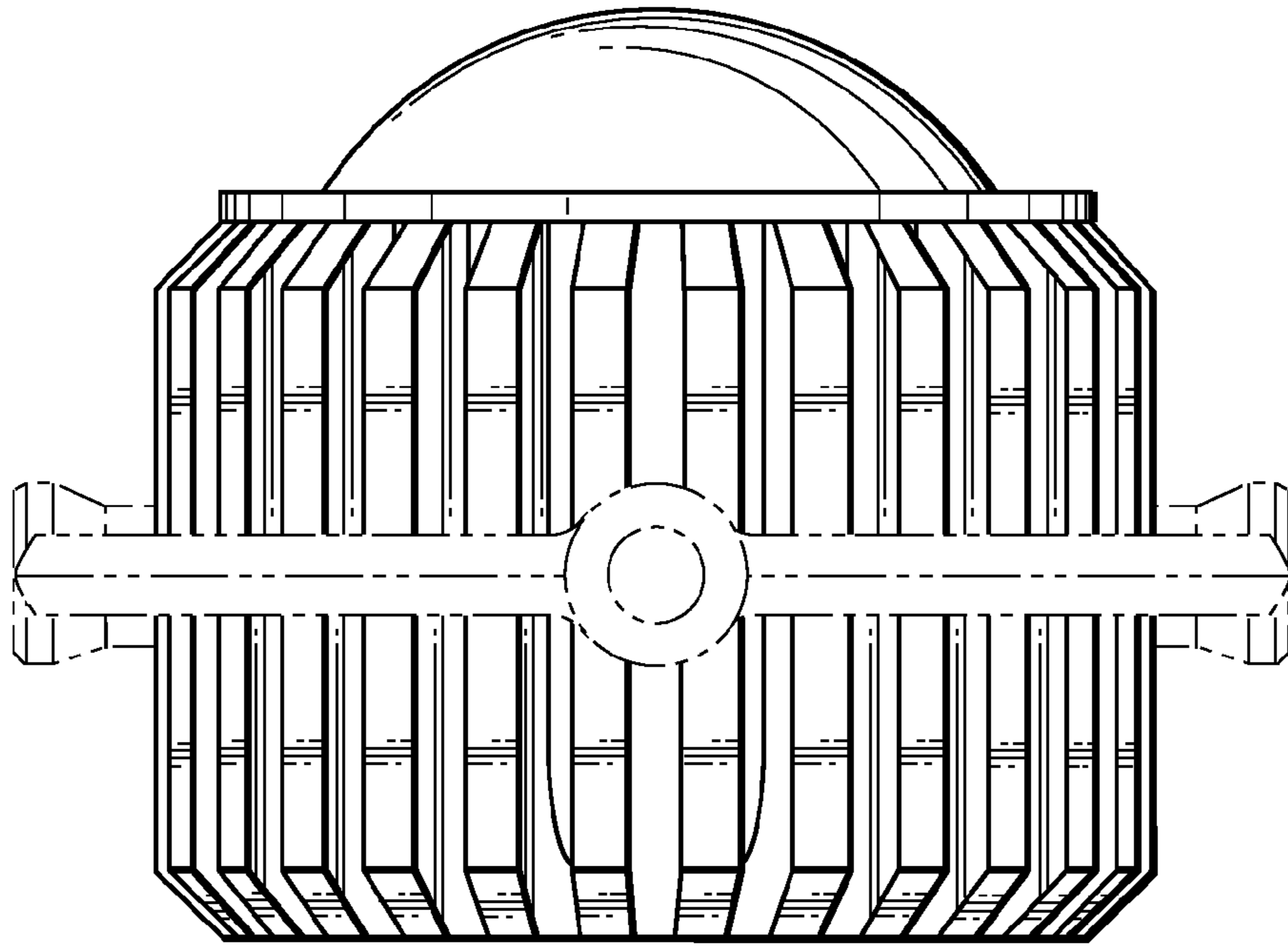


FIG. 6

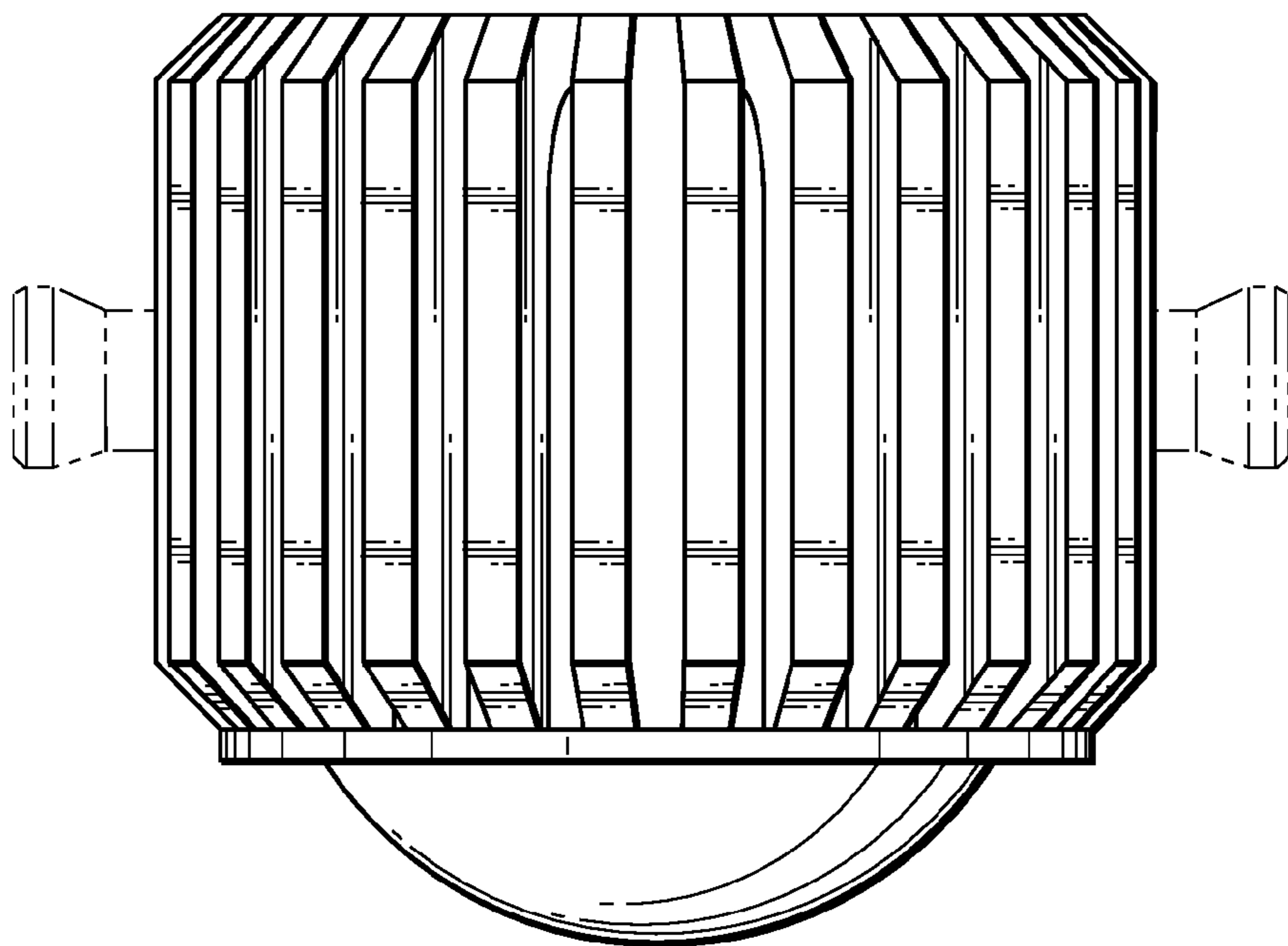


FIG. 7