



US00D588283S

(12) **United States Design Patent**
Fannan

(10) **Patent No.:** **US D588,283 S**
(45) **Date of Patent:** **** Mar. 10, 2009**

(54) **WINDOW COMPONENT EXTRUSION**

D468,455 S * 1/2003 Morton et al. D25/124
D500,147 S 12/2004 Fannan

(75) Inventor: **Michael R. Fannan**, Pecatonica, IL (US)

(73) Assignee: **Mikron Industries, Inc.**, Kent, WA (US)

(**) Term: **14 Years**

(21) Appl. No.: **29/294,137**

(22) Filed: **Dec. 21, 2007**

Related U.S. Application Data

(63) Continuation of application No. 29/288,253, filed on Jun. 4, 2007, now abandoned.

(51) **LOC (9) Cl.** **25-01**

(52) **U.S. Cl.** **D25/124**

(58) **Field of Classification Search** D25/121,
D25/122, 124, 125; 52/204.59, 204.1, 204.2,
52/204.5, 204.51, 656.5, 656.6, 213, 215,
52/208, 293.3, 204.97, 204.595, 204.71,
52/730.3, 656.2; 49/209, 501, 504, DIG. 2
See application file for complete search history.

(56) **References Cited**

U.S. PATENT DOCUMENTS

D466,627 S * 12/2002 Morton et al. D25/124

OTHER PUBLICATIONS

Mikron Part No. 9405, drawn on Nov. 17, 2004.
Mikron Part No. 9404, drawn on Nov. 17, 2004 and first sold on May 24, 2005.

* cited by examiner

Primary Examiner—Doris Clark
(74) *Attorney, Agent, or Firm*—Black Lowe & Graham PLLC

(57) **CLAIM**

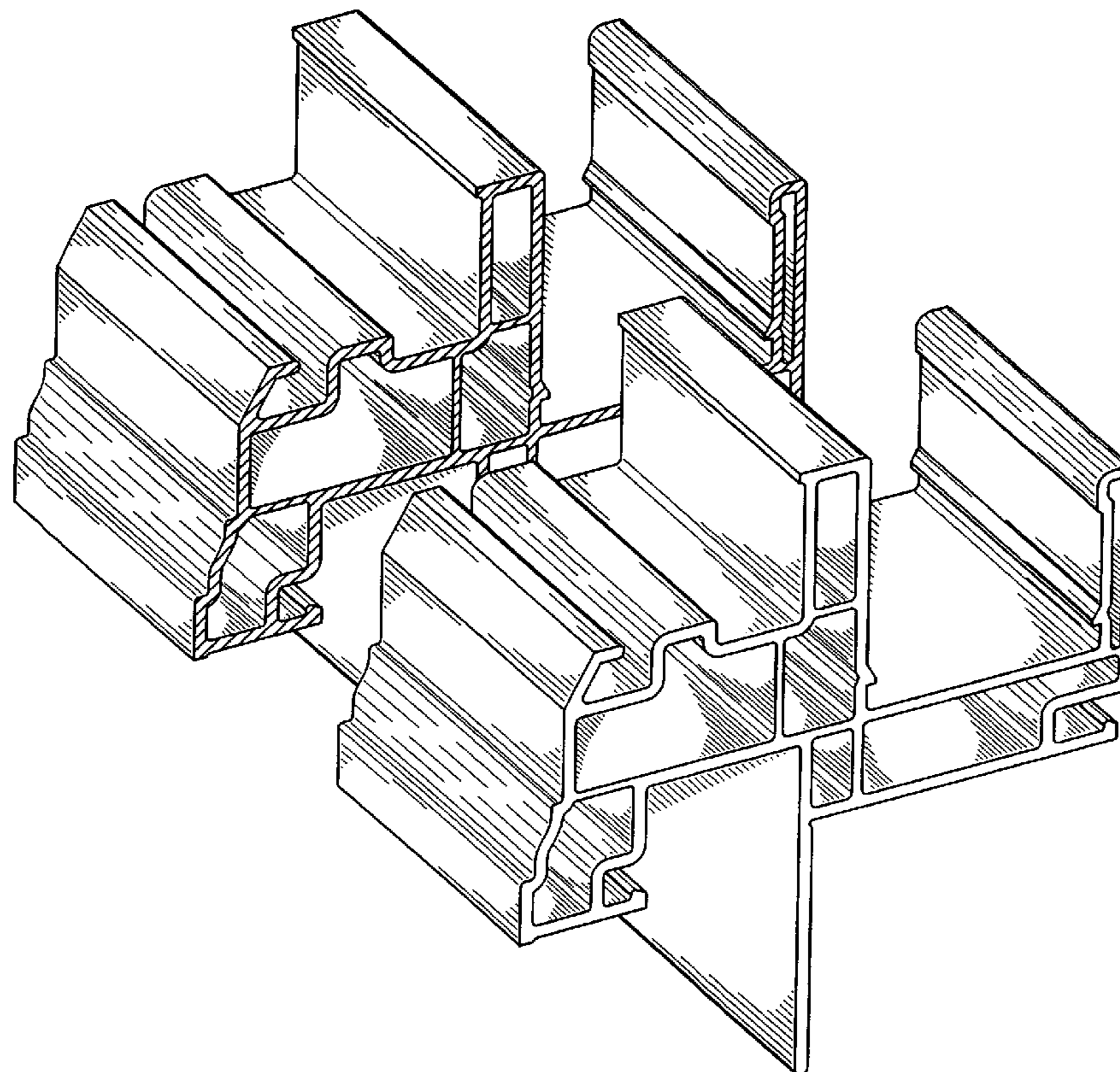
The ornamental design for a window component extrusion, as shown and described.

DESCRIPTION

FIG. 1 is a top left isometric perspective view of the window component extrusion which is broken in the center indicating indefinite length; and,

FIG. 2 is a bottom right isometric perspective view of the window component extrusion shown in FIG. 1.

1 Claim, 2 Drawing Sheets



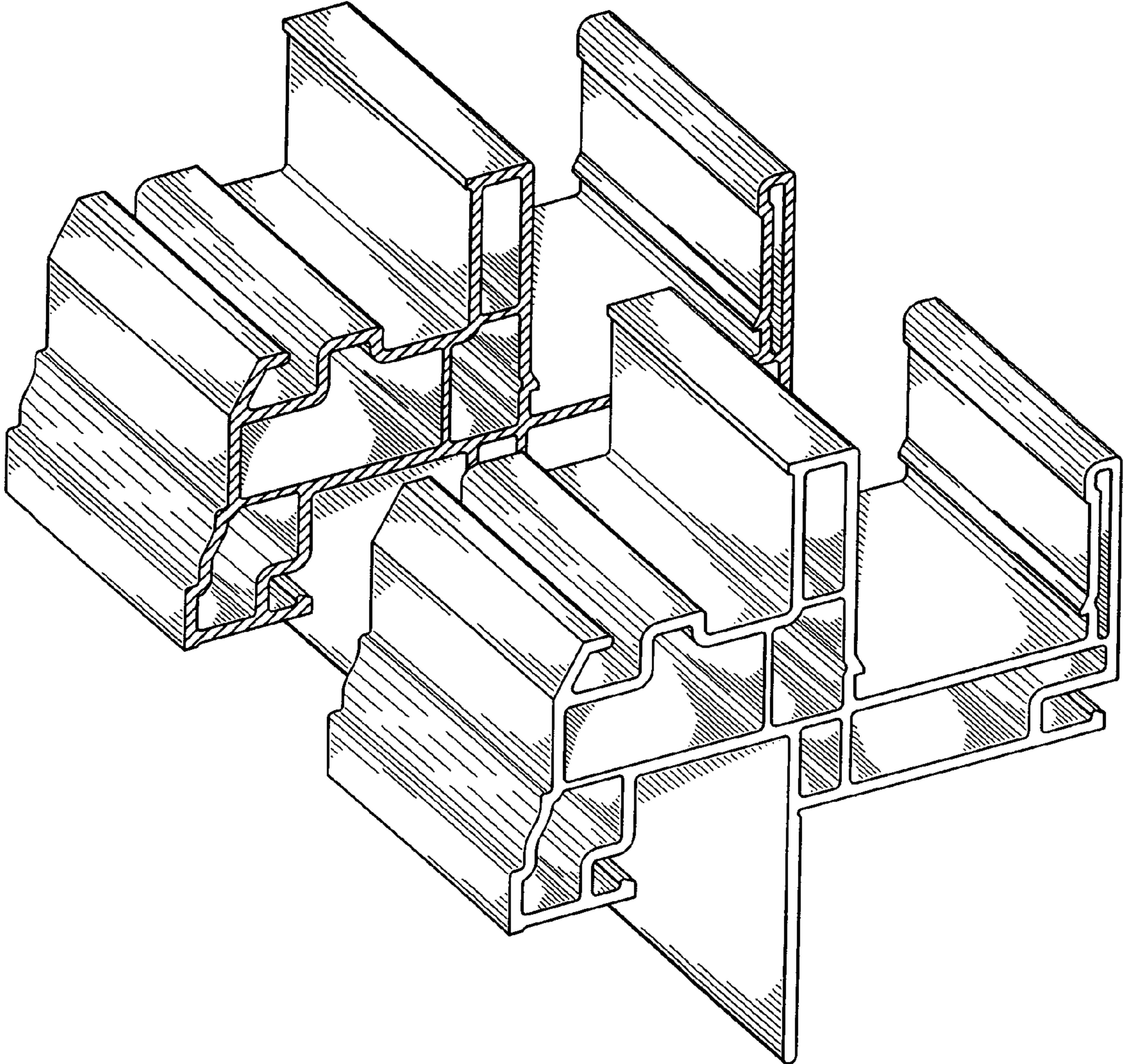


FIG.1

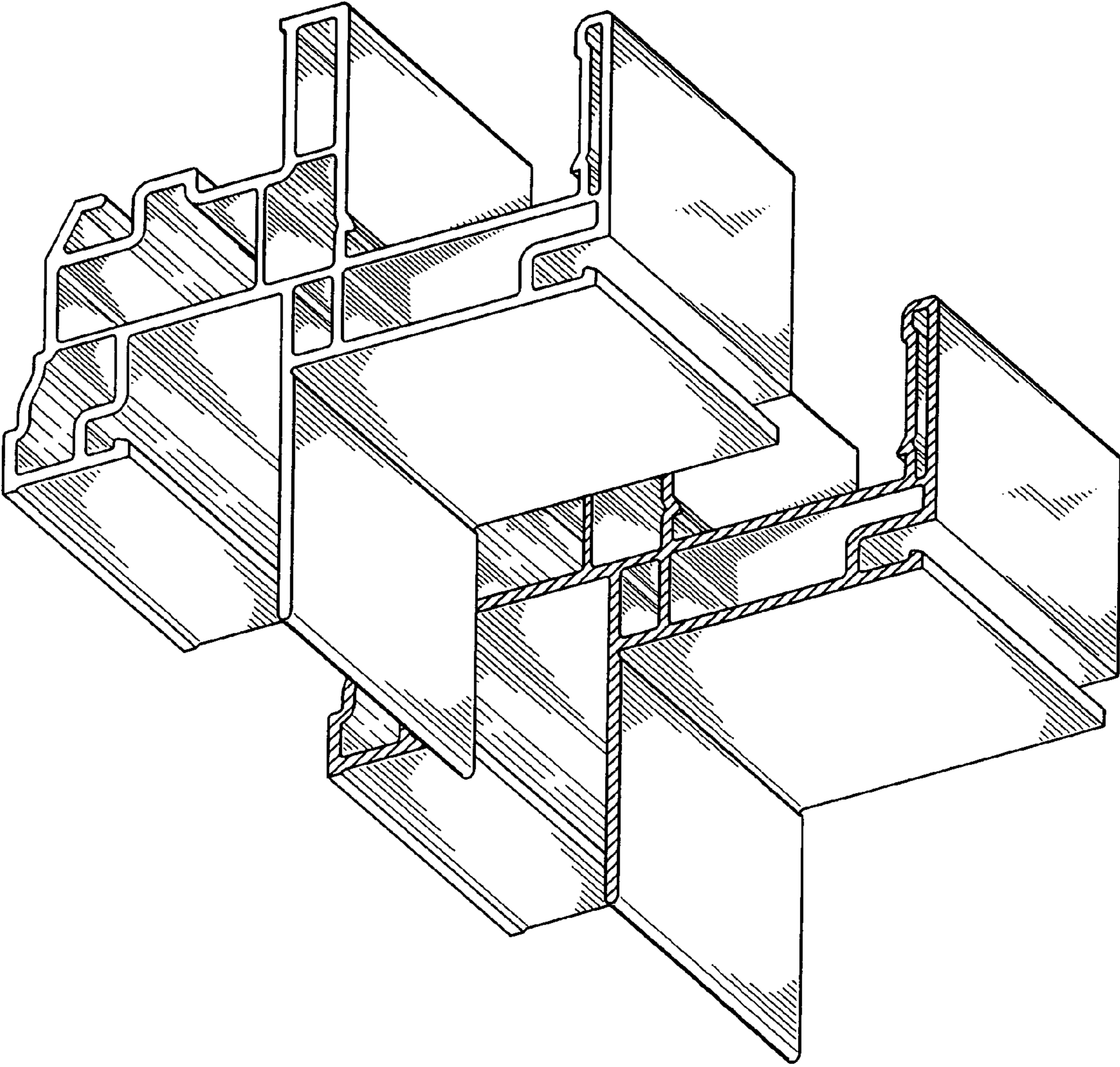


FIG.2