



US00D588282S

(12) **United States Design Patent**
Chaney et al.

(10) **Patent No.:** **US D588,282 S**
(45) **Date of Patent:** **** Mar. 10, 2009**

(54) **WINDOW TRIM EXTRUSION**

(75) Inventors: **Michael T. Chaney**, Middletown, OH (US); **Philip G. Morton**, Germantown, OH (US)

(73) Assignee: **Deceuninck North America, LLC**, Monroe, OH (US)

(**) Term: **14 Years**

(21) Appl. No.: **29/293,725**

(22) Filed: **Dec. 10, 2007**

(51) **LOC (9) Cl.** **25-01**

(52) **U.S. Cl.** **D25/124**

(58) **Field of Classification Search** D25/119, D25/124, 125; 52/204.1, 204.2, 204.5, 204.51, 52/656.5, 656.6, 213, 215, 208, 206, 212, 52/717.01; 49/DIG. 2, 504, 501
See application file for complete search history.

(56) **References Cited**

U.S. PATENT DOCUMENTS

D414,882 S * 10/1999 DiGiorgio D25/124

6,125,605 A * 10/2000 Young 52/717.01
D450,394 S * 11/2001 Roberts et al. D25/60
D471,648 S * 3/2003 Chaney et al. D25/124
6,857,232 B2 * 2/2005 Bealko 52/211

* cited by examiner

Primary Examiner—Doris Clark

(74) *Attorney, Agent, or Firm*—Jacox, Meckstroth & Jenkins

(57) **CLAIM**

The ornamental design for a window trim extrusion, as shown and described.

DESCRIPTION

FIG. 1 is a perspective view of a window trim extrusion, showing our new design, with a middle portion broken away to disclose indefinite length; and, FIG. 2 is an end view.

1 Claim, 1 Drawing Sheet

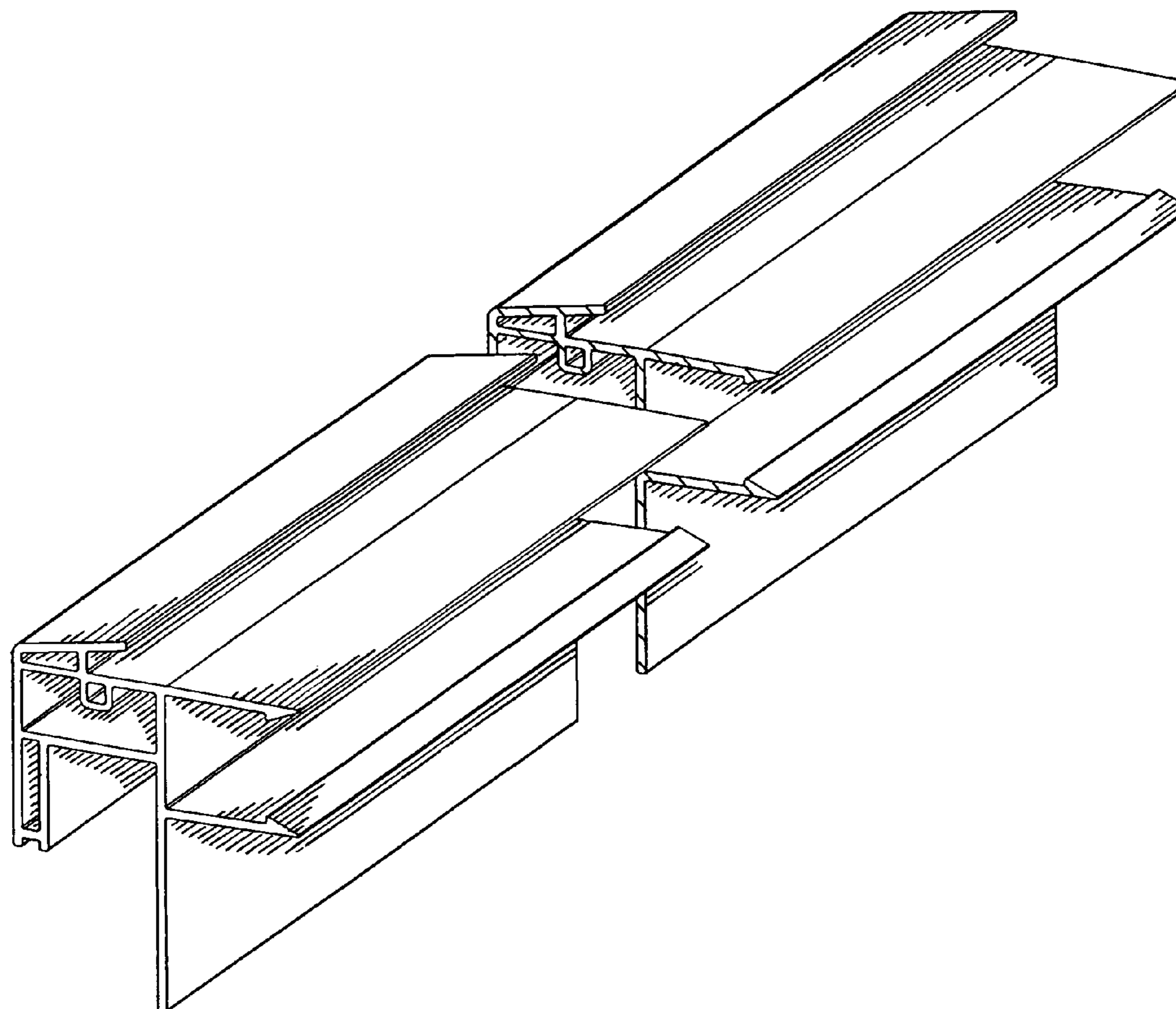


FIG-1

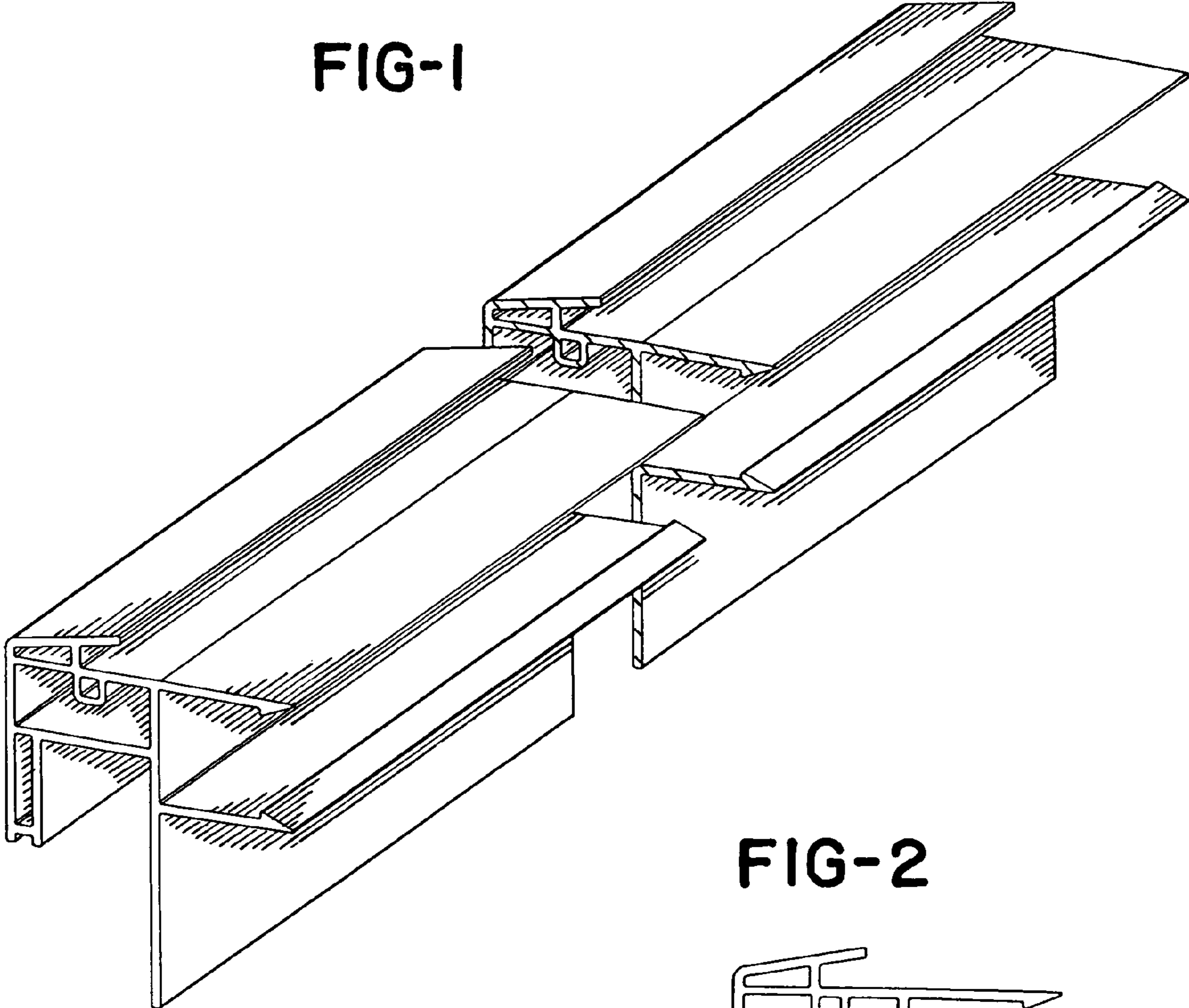


FIG-2

