



US00D588281S

(12) **United States Design Patent**
Clarke

(10) **Patent No.:** **US D588,281 S**
(45) **Date of Patent:** **** Mar. 10, 2009**

(54) **SUPPORT POST WITH BEAM**

(75) Inventor: **Gregory A. Clarke**, London (CA)

(73) Assignee: **Zilch Inc.**, London, Ontario (CA)

(**) Term: **14 Years**

(21) Appl. No.: **29/298,369**

(22) Filed: **Dec. 4, 2007**

(51) **LOC (9) Cl.** **25-01**

(52) **U.S. Cl.** **D25/121; D25/134**

(58) **Field of Classification Search** **D25/126,**
D25/121, 133, 134; 256/65.14, 65.11, 65.01;
52/152

See application file for complete search history.

(56) **References Cited**

U.S. PATENT DOCUMENTS

2,533,041	A *	12/1950	Plummer	220/652
3,256,658	A *	6/1966	Seery	52/292
3,851,981	A	12/1974	Corsi et al.		
D265,130	S	6/1982	Persson		
5,380,115	A	1/1995	Colonias		
D377,836	S *	2/1997	Miller et al.	D25/126
D508,572	S *	8/2005	Suggate	D25/134
D529,200	S *	9/2006	Hubbell	D25/121

OTHER PUBLICATIONS

Fairway Vinyl Systems, Web page entitled "Structural Vinyl Porch Post Installation Instructions 2006v2" (<http://www.fairwayvinyl.com/techhelp/Vertical%20Support%20Sys/Porch%20Post.pdf>), dated 2006.

The Sater Design Collection, Inc., www.saterluxuryhomes.com, pages 79-80, 103-104, 149-150.

Realcedar, Web page entitled "Outdoor Projects, Gazebos & Sheds, Garden Pavilion" (<http://www.wrcla.org/cedarprojects/gazebos/basicpavilion.asp>), dated Aug. 30, 2007.

* cited by examiner

Primary Examiner—Doris Clark

(74) *Attorney, Agent, or Firm*—Bereskin & Parr

(57) **CLAIM**

The ornamental design for a support post with beam, as shown.

DESCRIPTION

FIG. 1 is a front perspective view of a support post beam showing my new design;

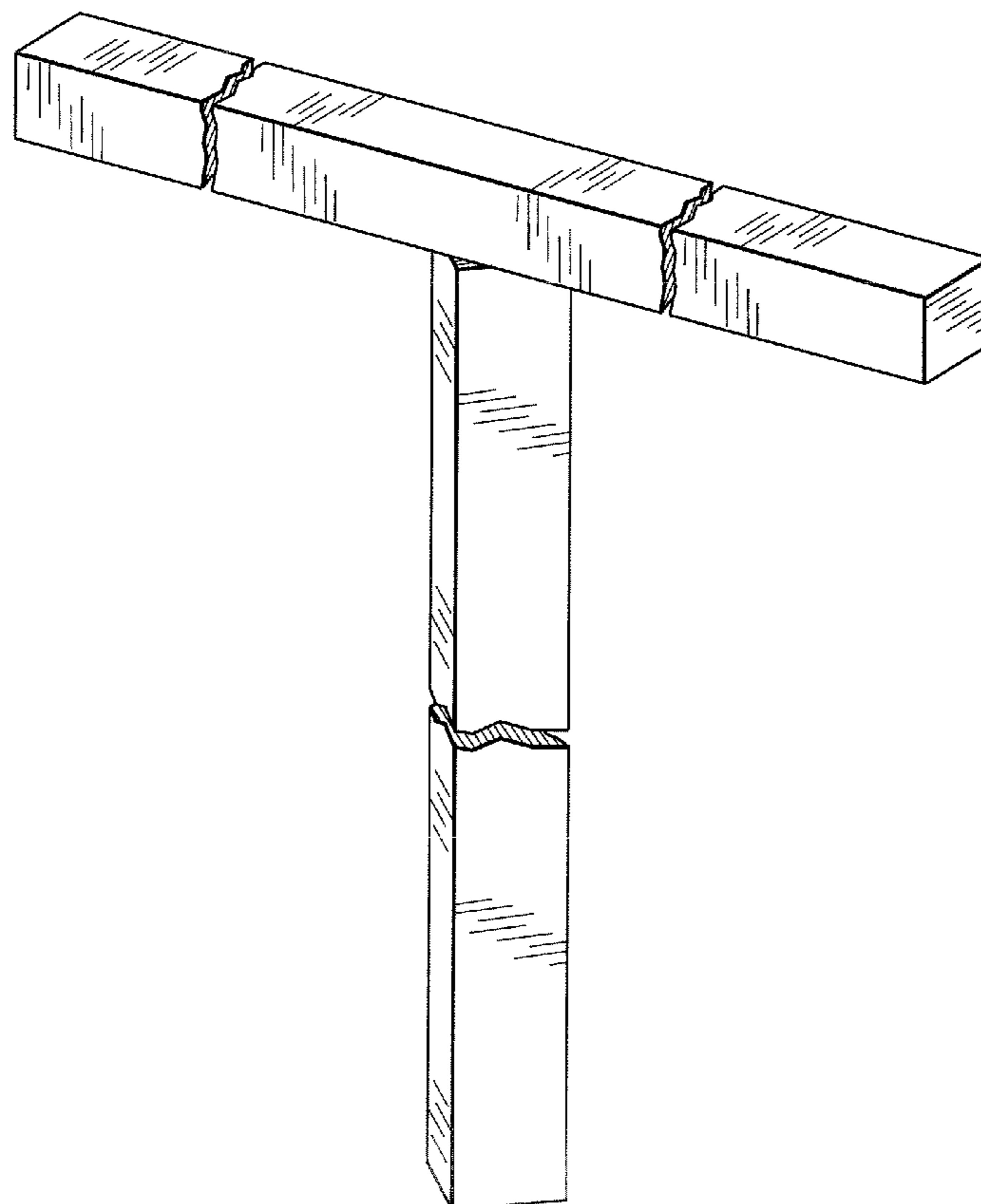
FIG. 2 is a side elevational view thereof;

FIG. 3 is a front elevational view thereof;

FIG. 4 is a top plan view thereof; and,

FIG. 5 is a bottom plan view thereof.

1 Claim, 3 Drawing Sheets



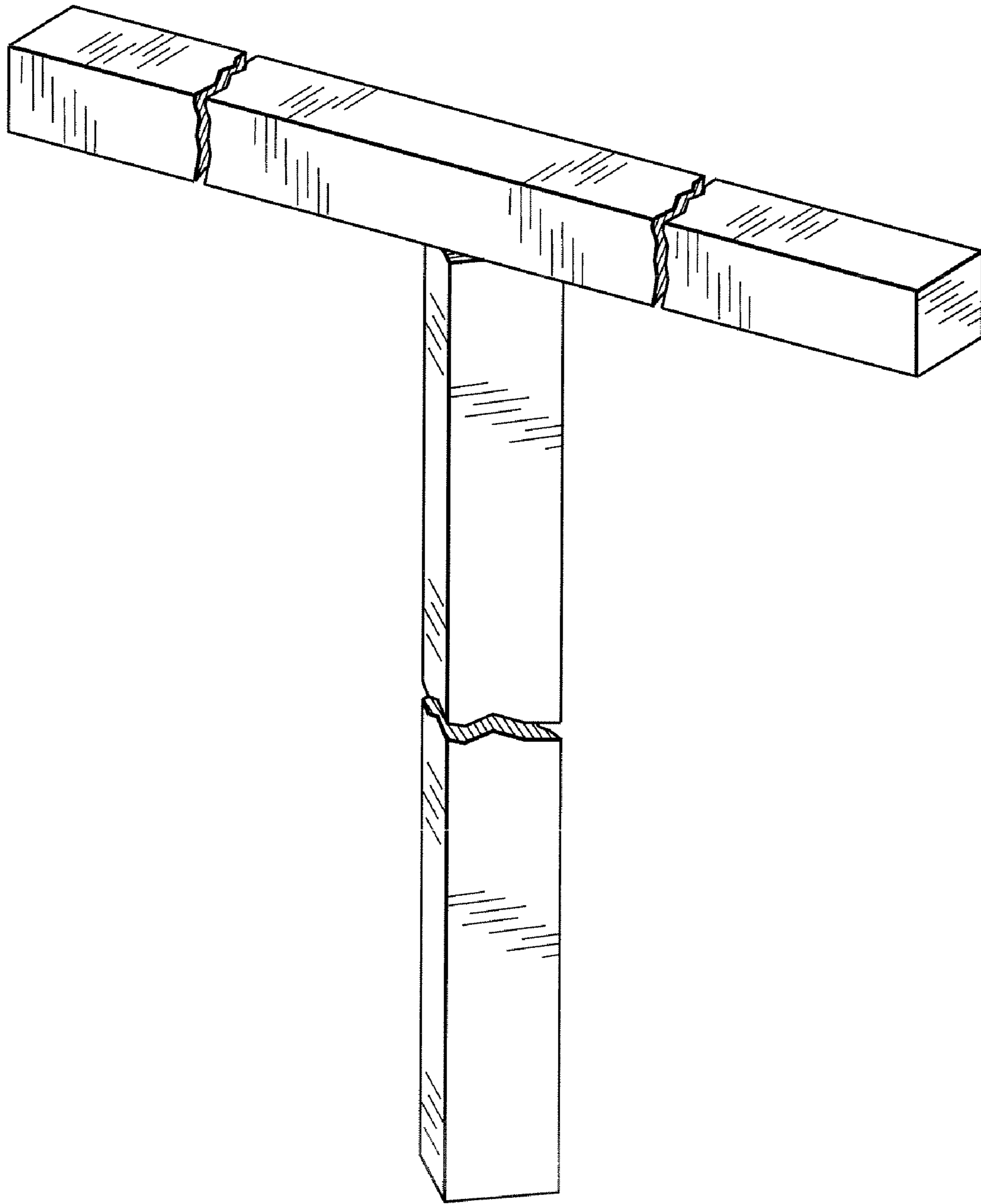


FIG. 1

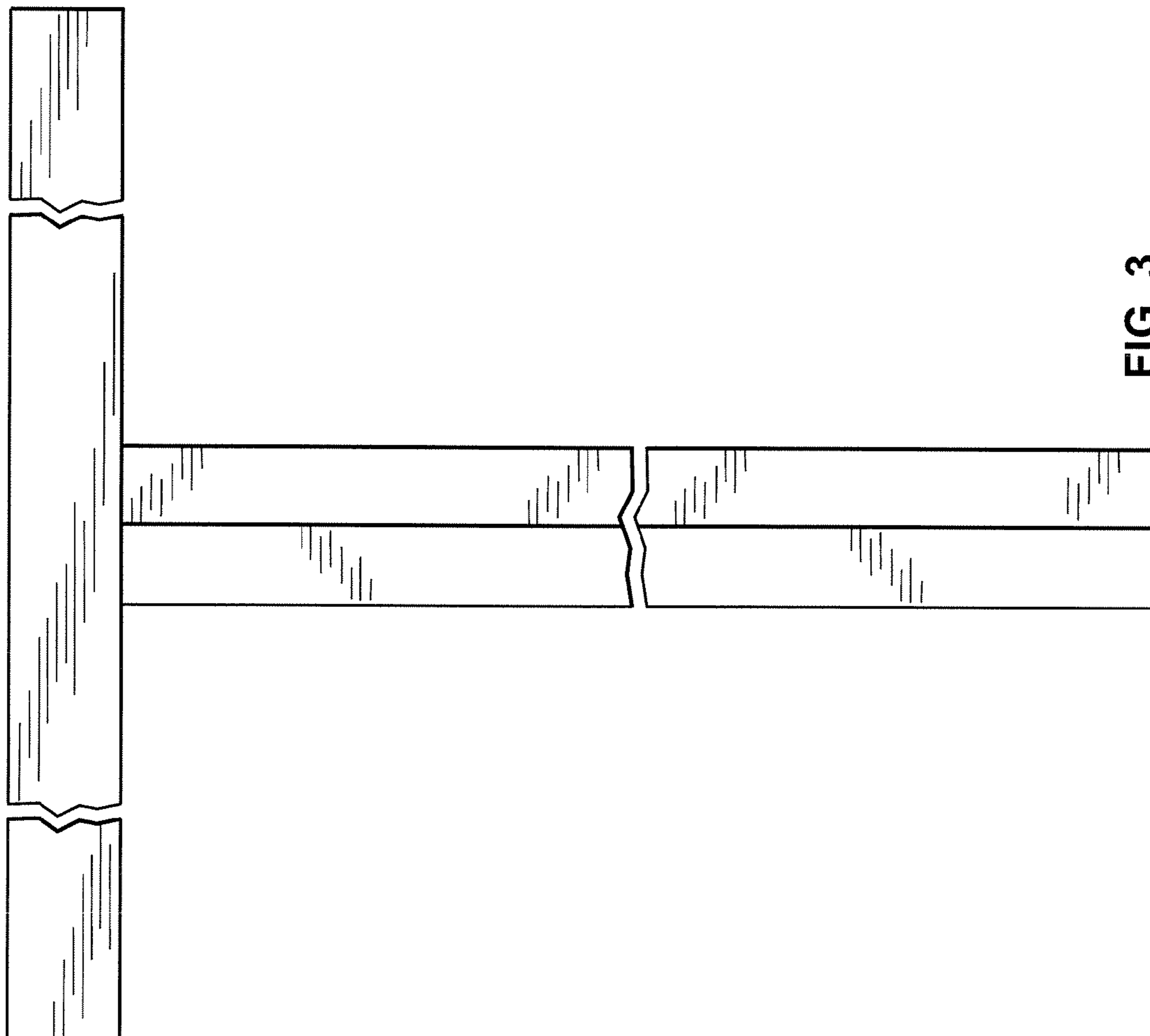


FIG. 3

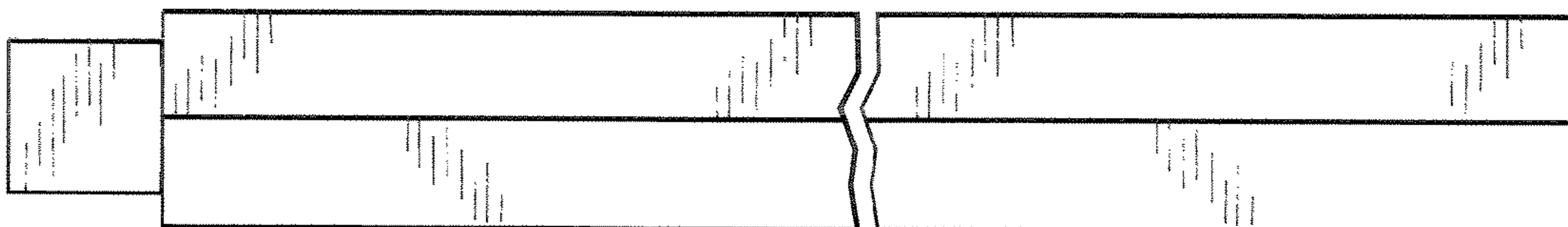


FIG. 2

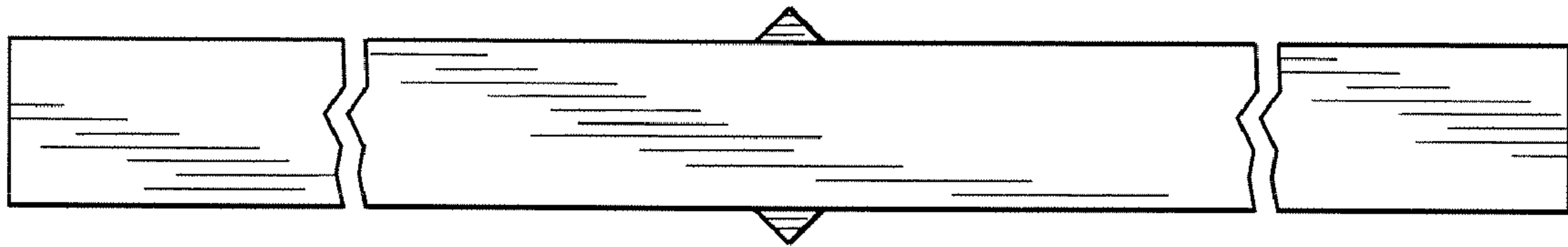


FIG. 4

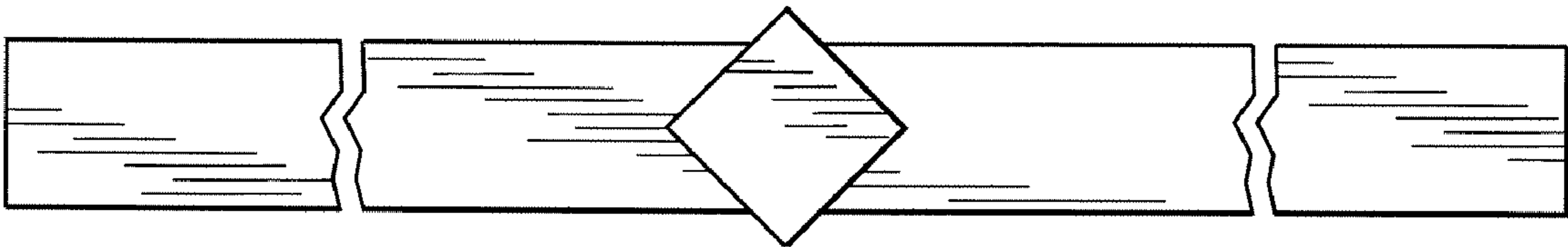


FIG. 5