



US00D588279S

(12) **United States Design Patent**
Stevens

(10) **Patent No.:** **US D588,279 S**

(45) **Date of Patent:** **** Mar. 10, 2009**

(54) **ACCESS TOWER**

3,752,261 A * 8/1973 Bushnell, Jr. 182/17
5,588,500 A * 12/1996 Yonahara 182/141

(76) Inventor: **John Timothy Stevens**, 1 Home Farm
Close, Abbots Ripton, Huntingdon,
Cambridgeshire PE28 2PT (GB)

* cited by examiner

Primary Examiner—Doris Clark
(74) *Attorney, Agent, or Firm*—Schwegman, Lundberg &
Woessner, P.A.

(**) Term: **14 Years**

(21) Appl. No.: **29/297,740**

(57) **CLAIM**

(22) Filed: **Nov. 16, 2007**

I claim the ornamental design for an access tower, as shown
and described.

(30) **Foreign Application Priority Data**

May 16, 2007 (EM) 0007262110001

DESCRIPTION

(51) **LOC (9) Cl.** **25-04**

FIG. 1 is a side elevational view of an access tower;

(52) **U.S. Cl.** **D25/62**

FIG. 2 is a top plane view;

(58) **Field of Classification Search** D25/62,

FIG. 3 is a front view;

D25/66; 182/141, 115, 179.1, 148; D34/28
See application file for complete search history.

FIG. 4 is a rear view; and,

FIG. 5 is a perspective view of the access tower.

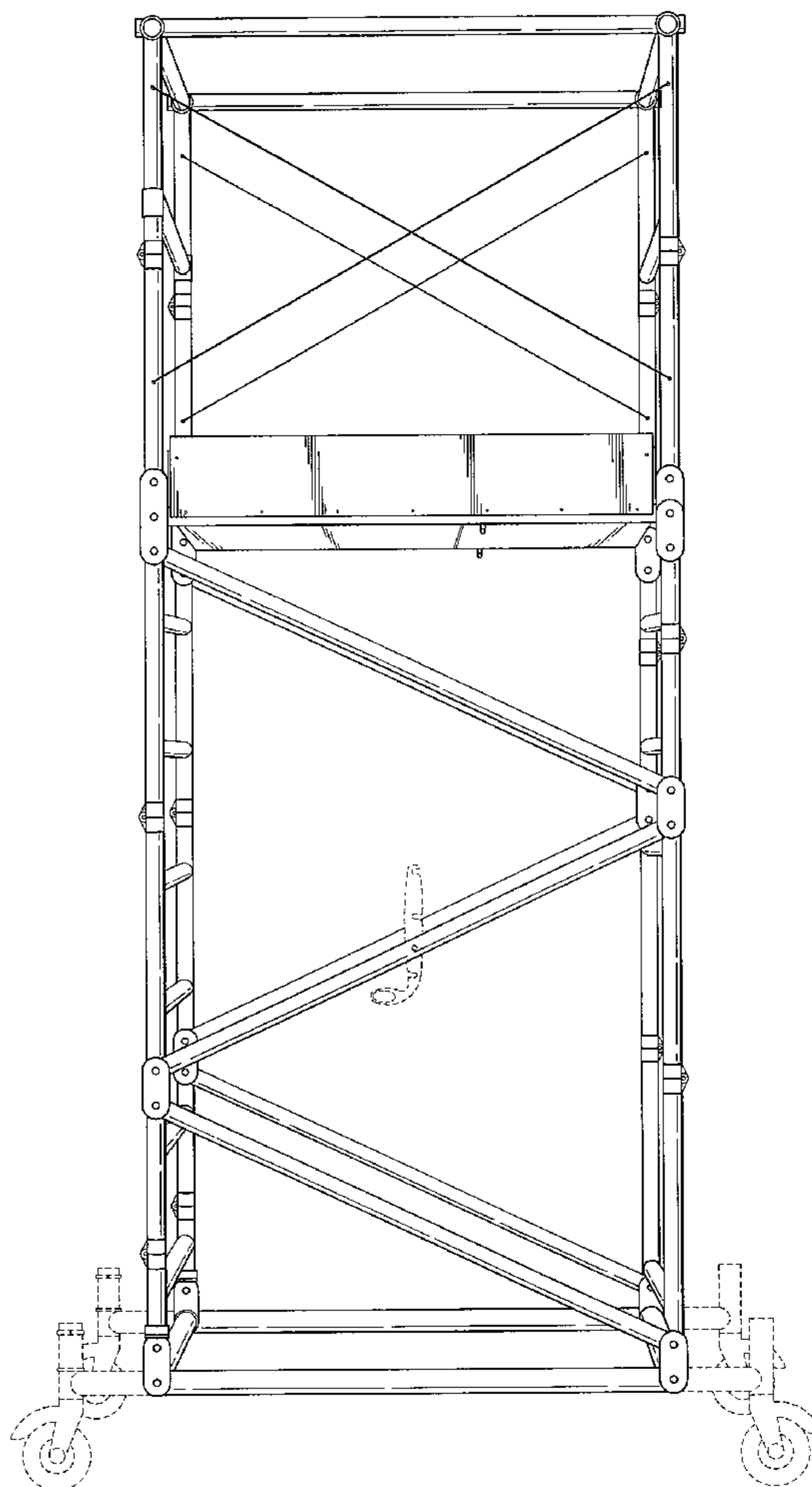
(56) **References Cited**

The broken lines are for illustrative purposes only and form
no part of the claimed design.

U.S. PATENT DOCUMENTS

3,221,837 A * 12/1965 Fisher 182/115

1 Claim, 4 Drawing Sheets



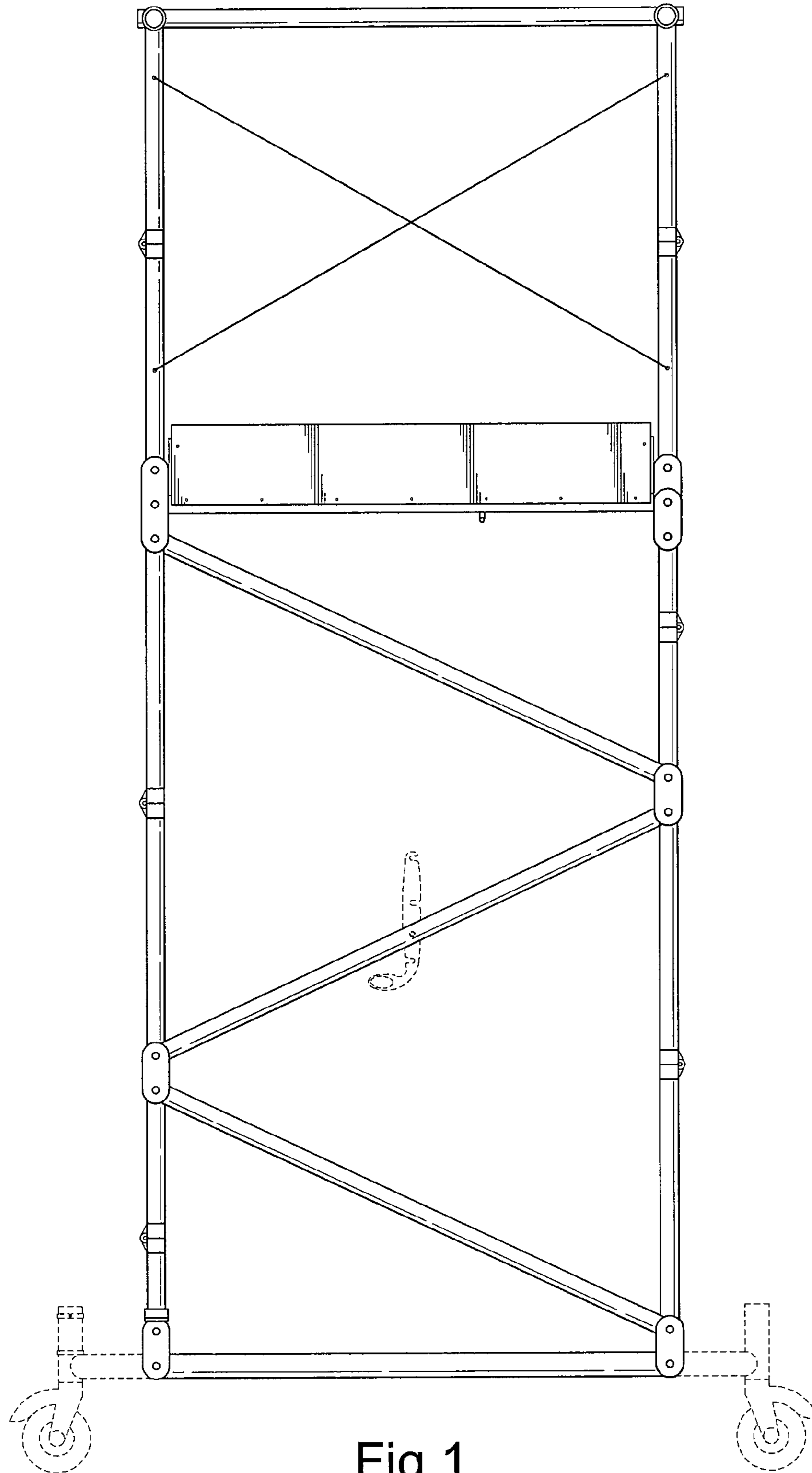


Fig.1

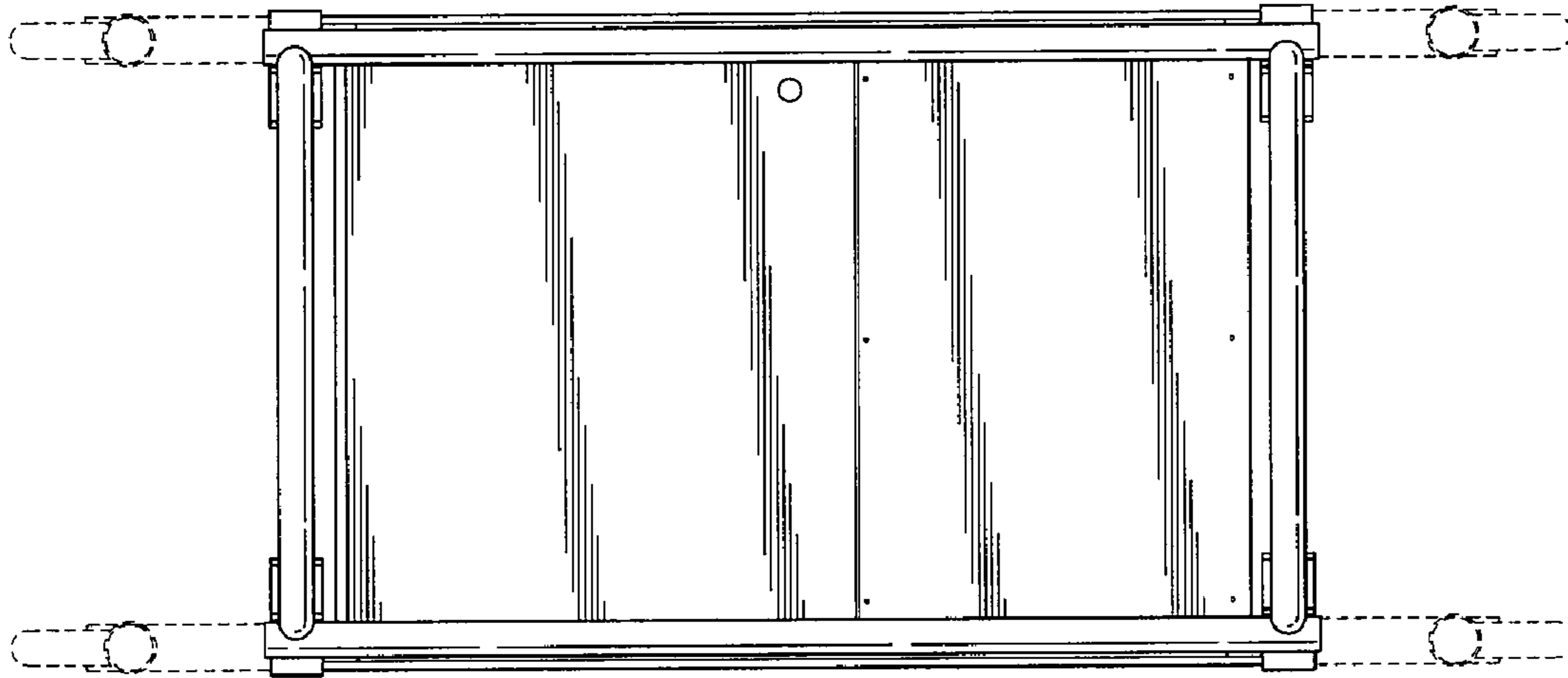


Fig.2

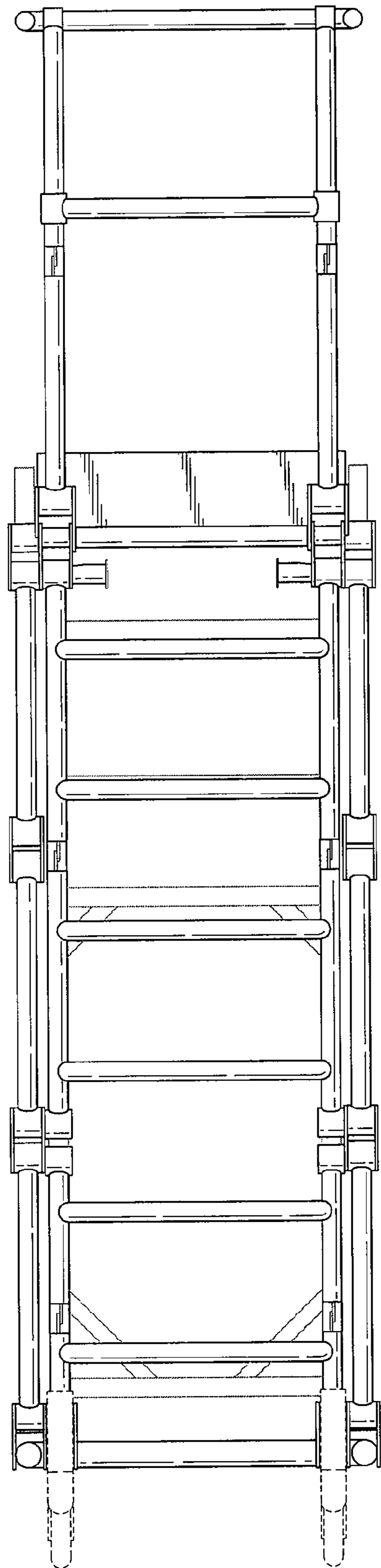


Fig.3

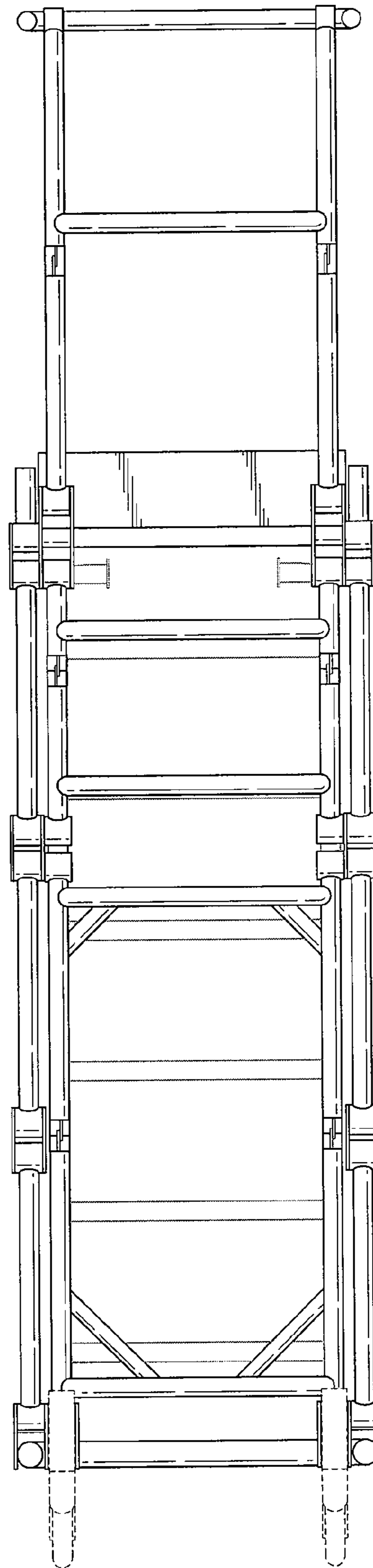


Fig.4

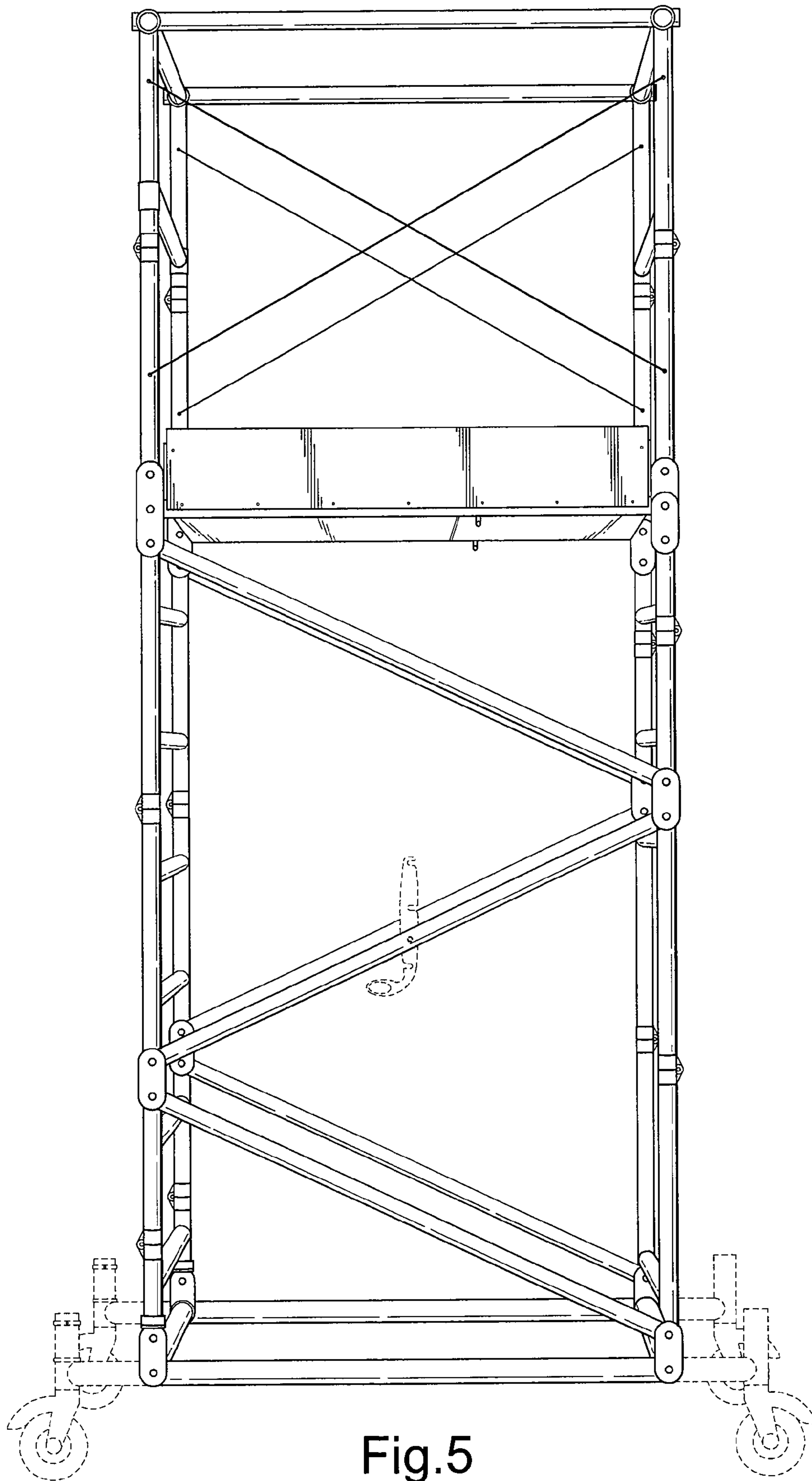


Fig.5