



US00D588273S

(12) **United States Design Patent**
Sharpe et al.

(10) **Patent No.:** **US D588,273 S**
(45) **Date of Patent:** **** Mar. 10, 2009**

(54) **MEDICAL CART**

(75) Inventors: **Gary Sharpe**, Naples, FL (US); **Dan Meiser**, Circleville, OH (US); **Jay Baker**, Mayville, NY (US); **David Brown**, Sherman, NY (US); **Scott Freyn**, Westfield, NY (US)

(73) Assignee: **Health Care Logistics, Inc.**, Circleville, OH (US)

(**) Term: **14 Years**

(21) Appl. No.: **29/320,702**

(22) Filed: **Jul. 1, 2008**

(51) **LOC (9) Cl.** **24-02**

(52) **U.S. Cl.** **D24/185**

(58) **Field of Classification Search** D24/169,
D24/172, 185-186, 234; D34/12-27; D6/436,
D6/460; 280/47.18, 47.26, 47.34, 33.991,
280/33.992, 33.993

See application file for complete search history.

(56) **References Cited**

U.S. PATENT DOCUMENTS

- D263,995 S * 4/1982 Steele D24/169
- D273,906 S * 5/1984 Norlin D34/19
- D304,075 S * 10/1989 Welch D24/185
- D336,707 S * 6/1993 Teufel et al. D34/20

- D440,369 S * 4/2001 LaFollette et al. D34/19
- D447,567 S * 9/2001 Murphy et al. D24/172
- D512,149 S * 11/2005 Bochner et al. D24/185
- D515,767 S * 2/2006 Arceta D34/14
- D517,768 S * 3/2006 Arceta D34/12
- D518,267 S * 3/2006 Arceta D34/14
- D541,942 S * 5/2007 Hirson et al. D24/185
- D575,022 S * 8/2008 Girard D34/19
- D575,023 S * 8/2008 Girard D34/19

* cited by examiner

Primary Examiner—Robert A. Delehanty

Assistant Examiner—Mark Cavanna

(74) *Attorney, Agent, or Firm*—Standley Law Group LLP

(57) **CLAIM**

The ornamental design for medical cart, as shown and described.

DESCRIPTION

FIG. 1 is a perspective view of a medical cart of the present invention;

FIG. 2 is a top plan view of the FIG. 1 cart; the bottom plan view not shown, as it is devoid of ornamentation;

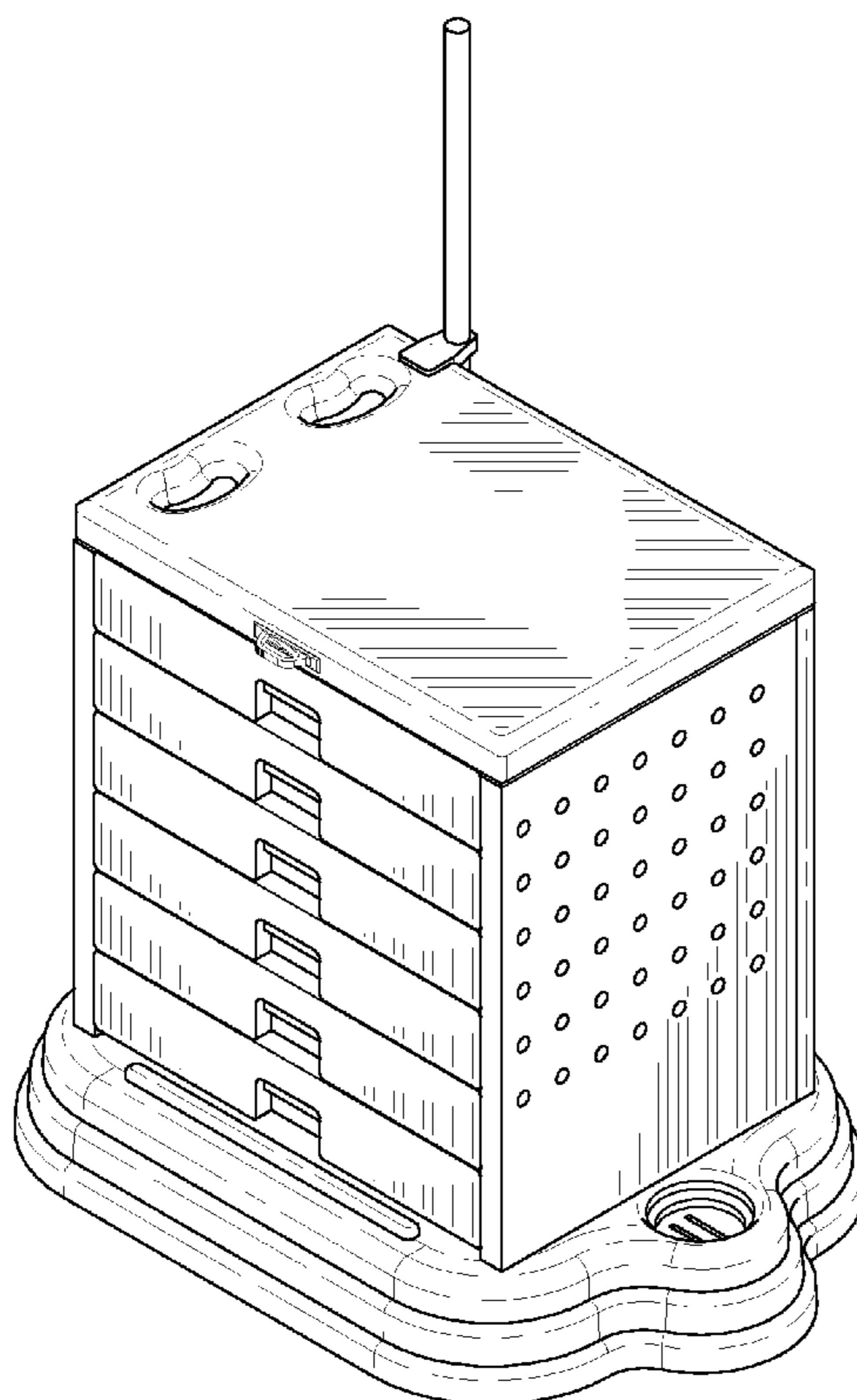
FIG. 3 is a right side elevation view of the FIG. 1 cart;

FIG. 4 is a front elevation view of the FIG. 1 cart;

FIG. 5 left side elevation view of the FIG. 1 cart; and,

FIG. 6 is a rear elevation view of the FIG. 1 cart.

1 Claim, 3 Drawing Sheets



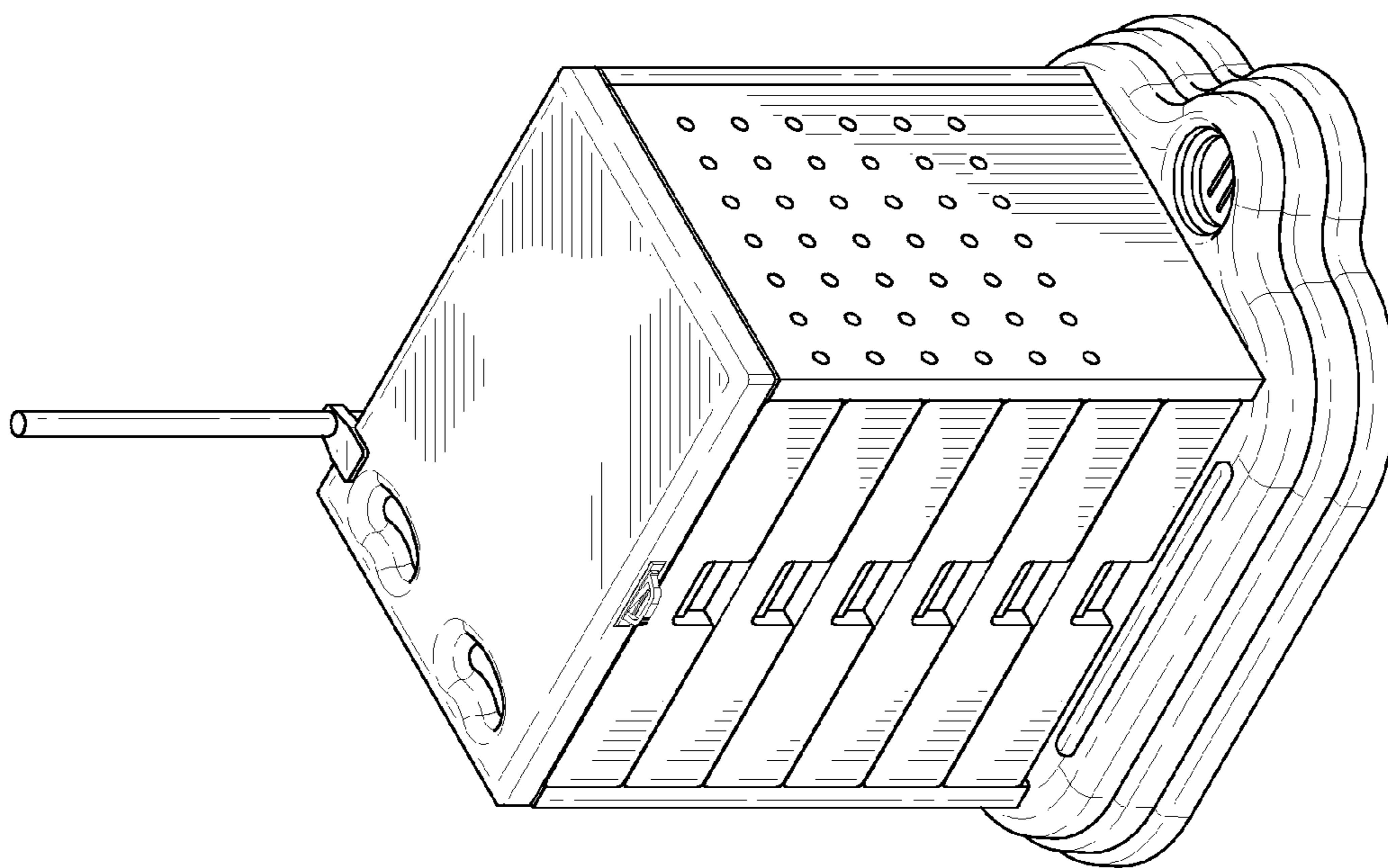


FIG-1

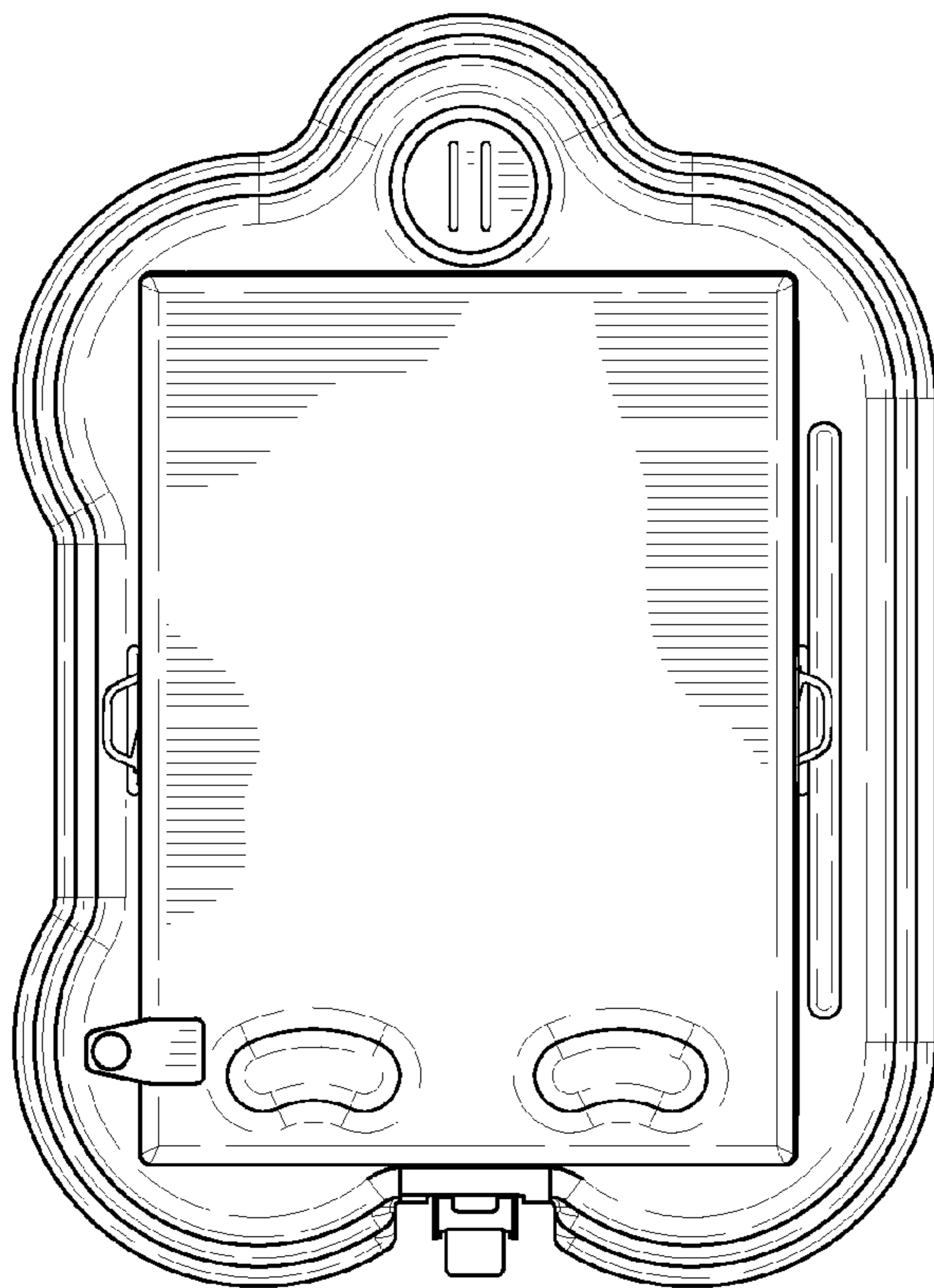


FIG-2

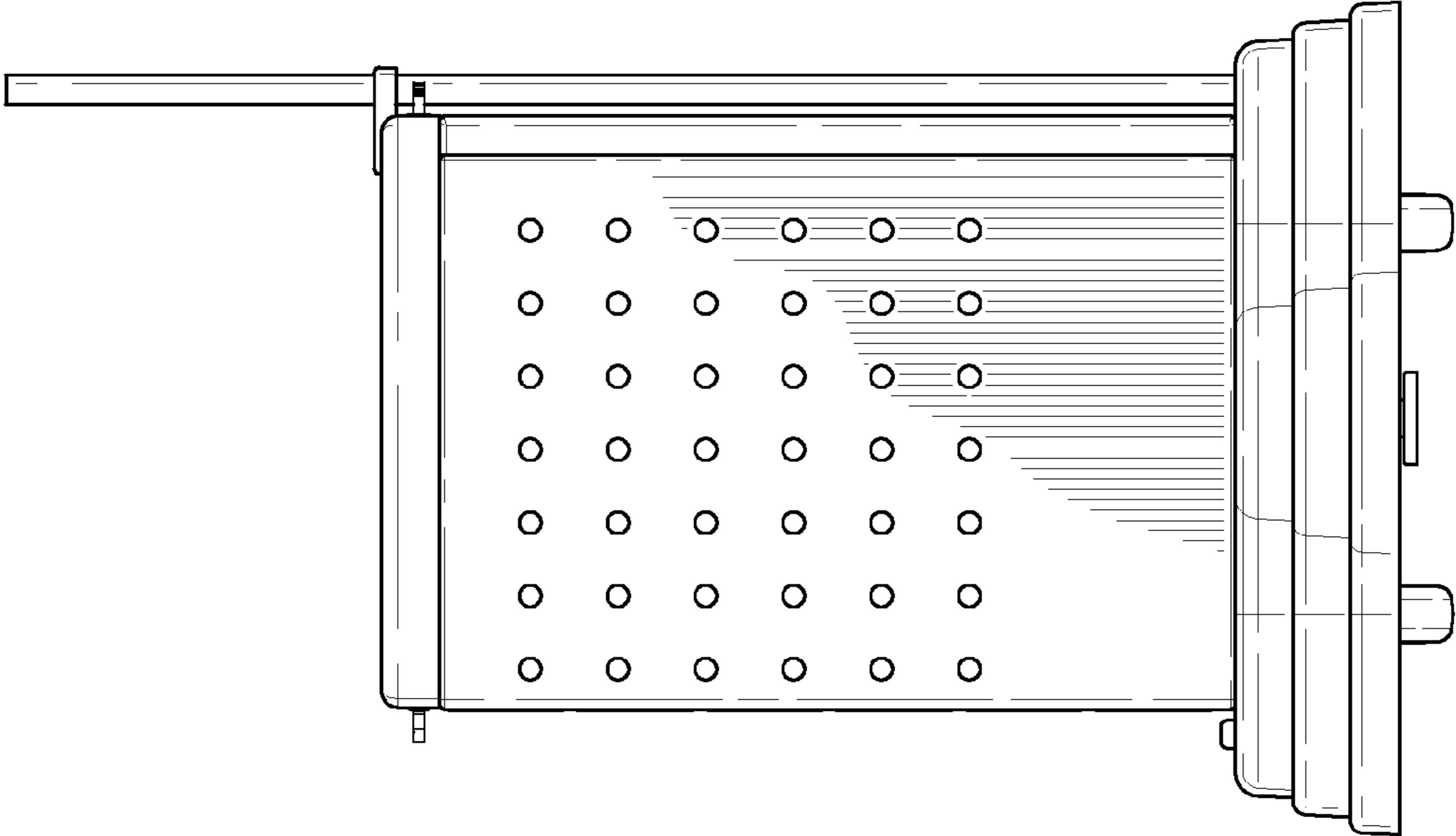


FIG-4

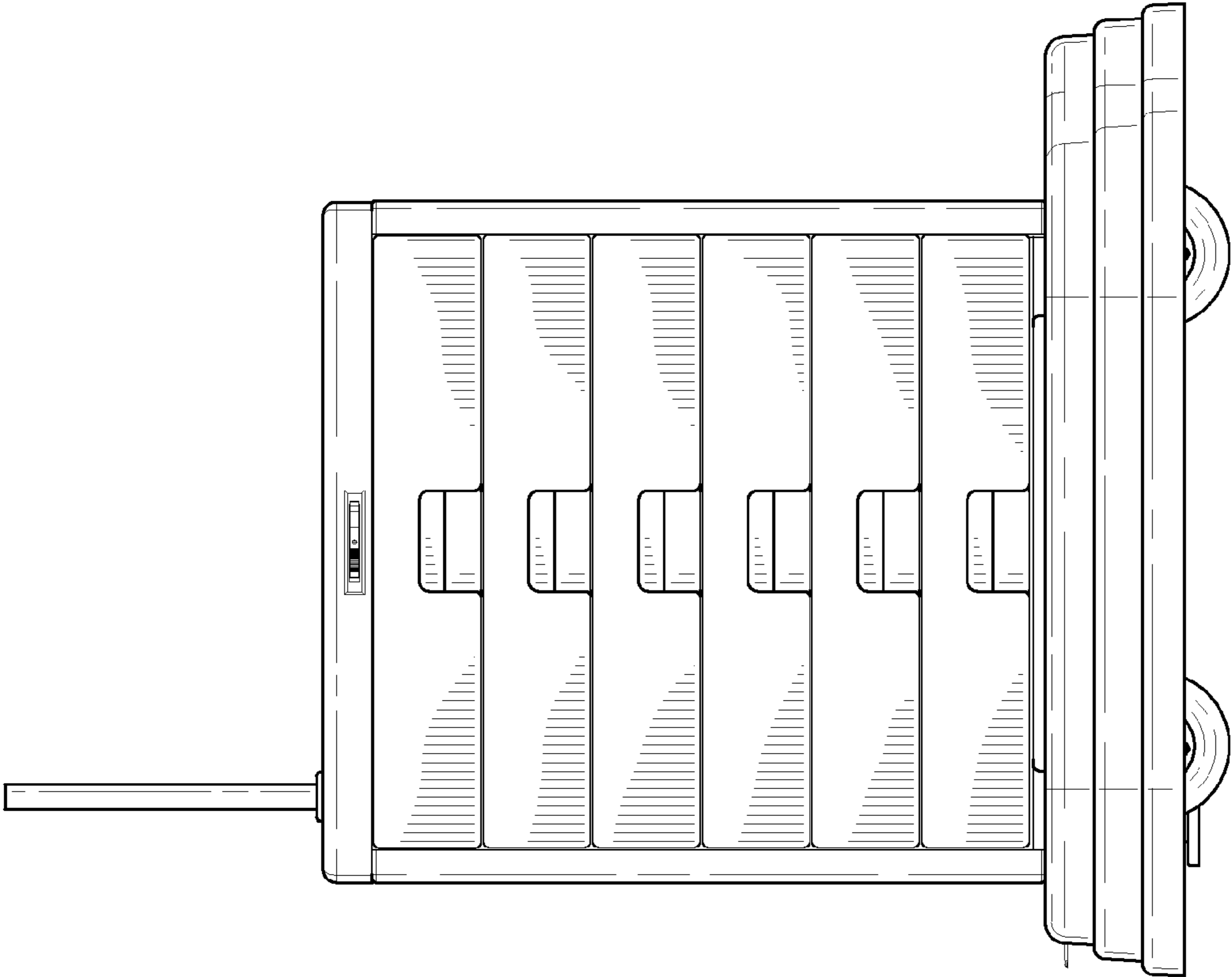


FIG-3

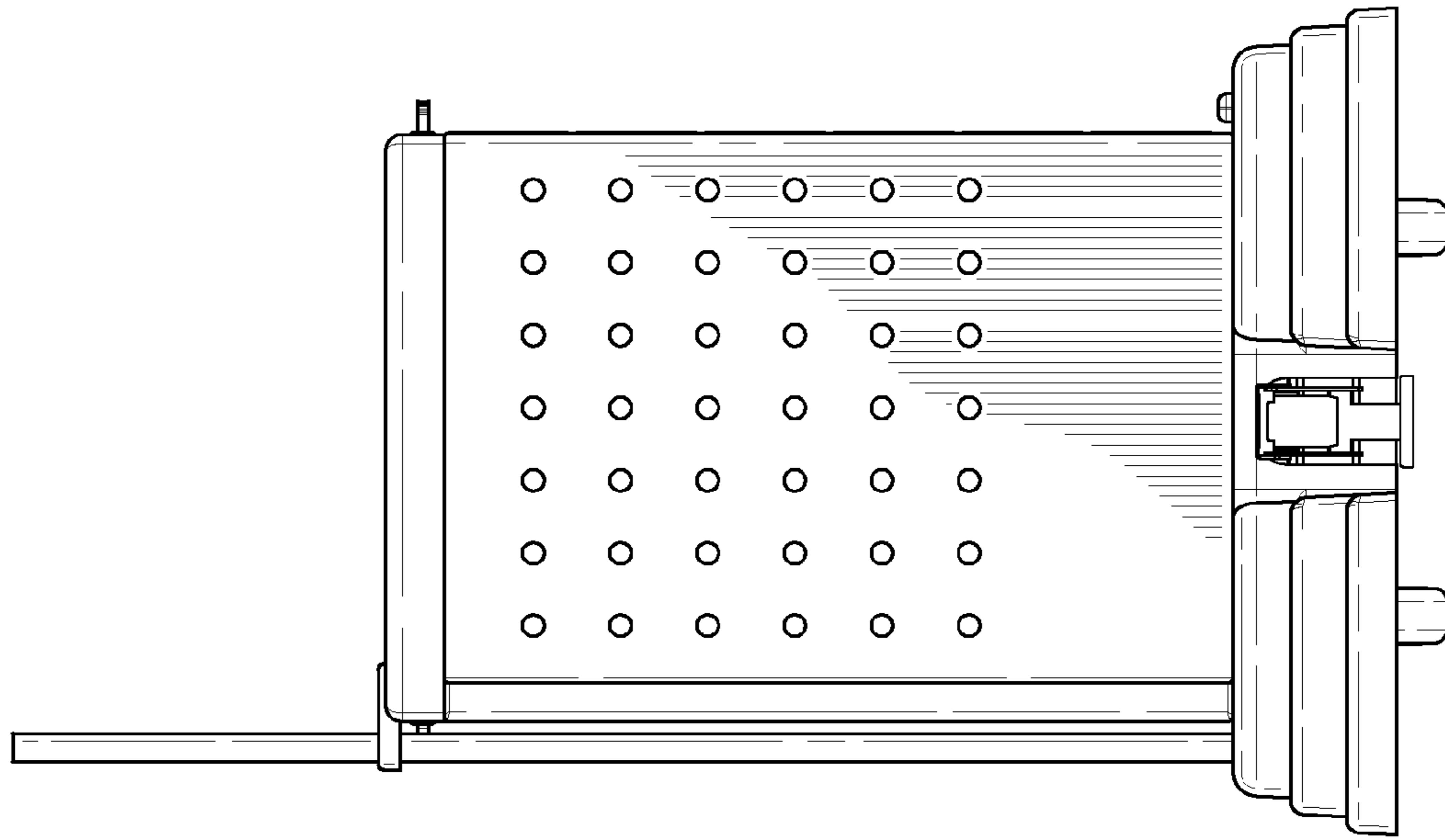


FIG-6

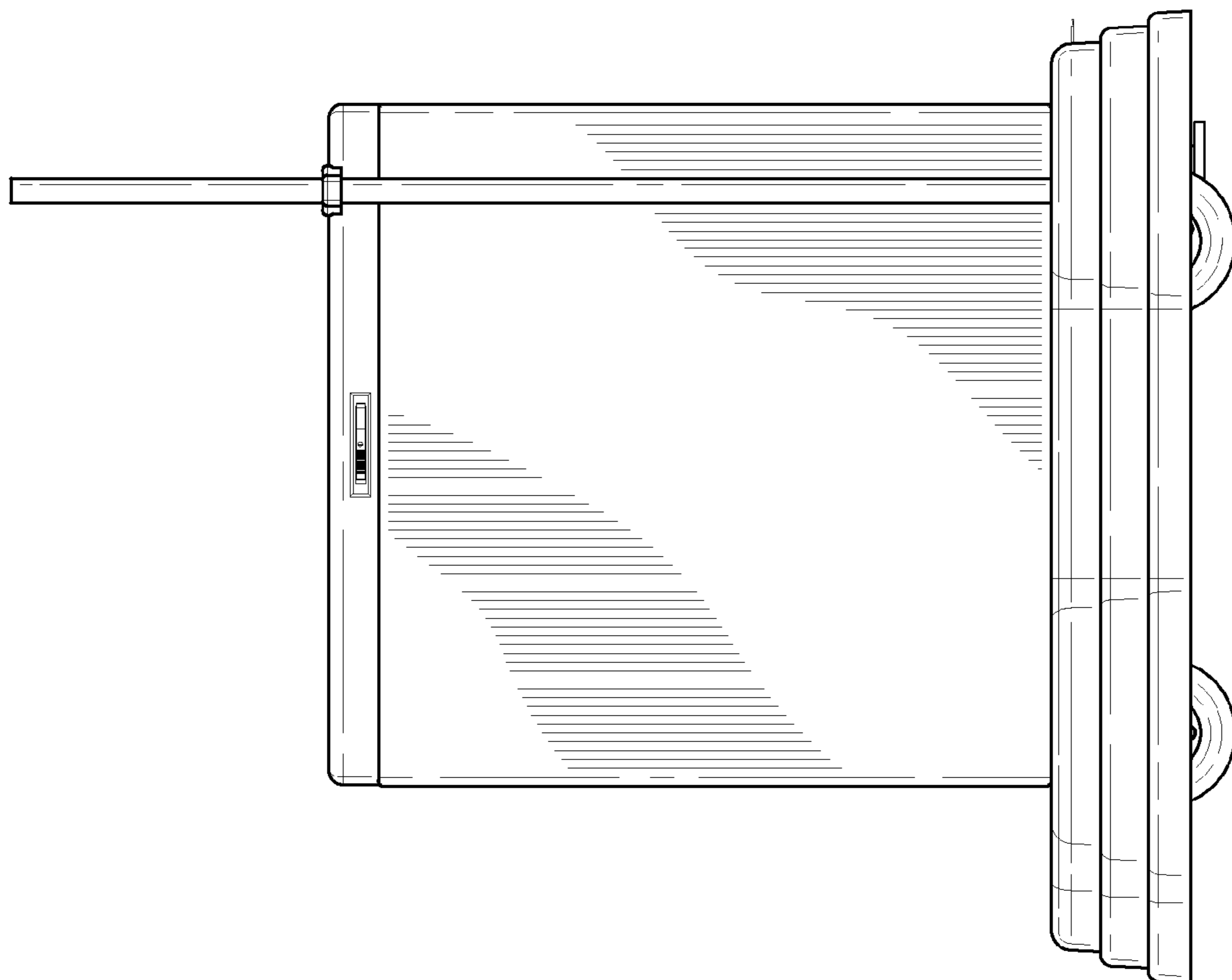


FIG-5