



US00D588272S

(12) **United States Design Patent**  
**Meiser**

(10) **Patent No.:** **US D588,272 S**  
(45) **Date of Patent:** **\*\* Mar. 10, 2009**

(54) **PHLEBOTOMY CART**

(75) Inventor: **Dan Meiser**, Circleville, OH (US)

(73) Assignee: **Health Care Logistics, Inc.**, Circleville, OH (US)

(\*\*) Term: **14 Years**

(21) Appl. No.: **29/319,838**

(22) Filed: **Jun. 16, 2008**

(51) **LOC (9) Cl.** ..... **24-02**

(52) **U.S. Cl.** ..... **D24/185**

(58) **Field of Classification Search** ..... D24/164,  
D24/169, 172, 185-186, 234; D34/12-27;  
D6/436, 460; 280/47.18, 47.26, 47.34, 33.991,  
280/33.992, 33.993; 108/7; D14/302  
See application file for complete search history.

(56) **References Cited**

**U.S. PATENT DOCUMENTS**

- D296,143 S \* 6/1988 Bettess ..... D34/21
- D304,112 S \* 10/1989 Bettess ..... D34/21
- D339,441 S \* 9/1993 Marchant et al. .... D34/20
- 6,832,560 B2 \* 12/2004 Seiler et al. .... 108/7
- D518,267 S \* 3/2006 Arceta ..... D24/185
- D531,728 S \* 11/2006 Helgeson ..... D24/164

- D539,794 S \* 4/2007 Rossini et al. .... D14/302
- D548,918 S \* 8/2007 Nussberger ..... D34/17
- D549,921 S \* 8/2007 Reckelhoff ..... D34/27
- D553,324 S \* 10/2007 Lieblein ..... D34/14

\* cited by examiner

*Primary Examiner*—Robert A. Delehanty

*Assistant Examiner*—Mark Cavanna

(74) *Attorney, Agent, or Firm*—Standley Law Group LLP

(57) **CLAIM**

The ornamental design for a phlebotomy cart, as shown and described.

**DESCRIPTION**

FIG. 1 is a downward perspective view of a phlebotomy cart of the present invention;

FIG. 2 is an upward perspective view of the FIG. 1 cart;

FIG. 3 is a top plan view of the FIG. 1 cart;

FIG. 4 is a right side elevation view of the FIG. 1 cart;

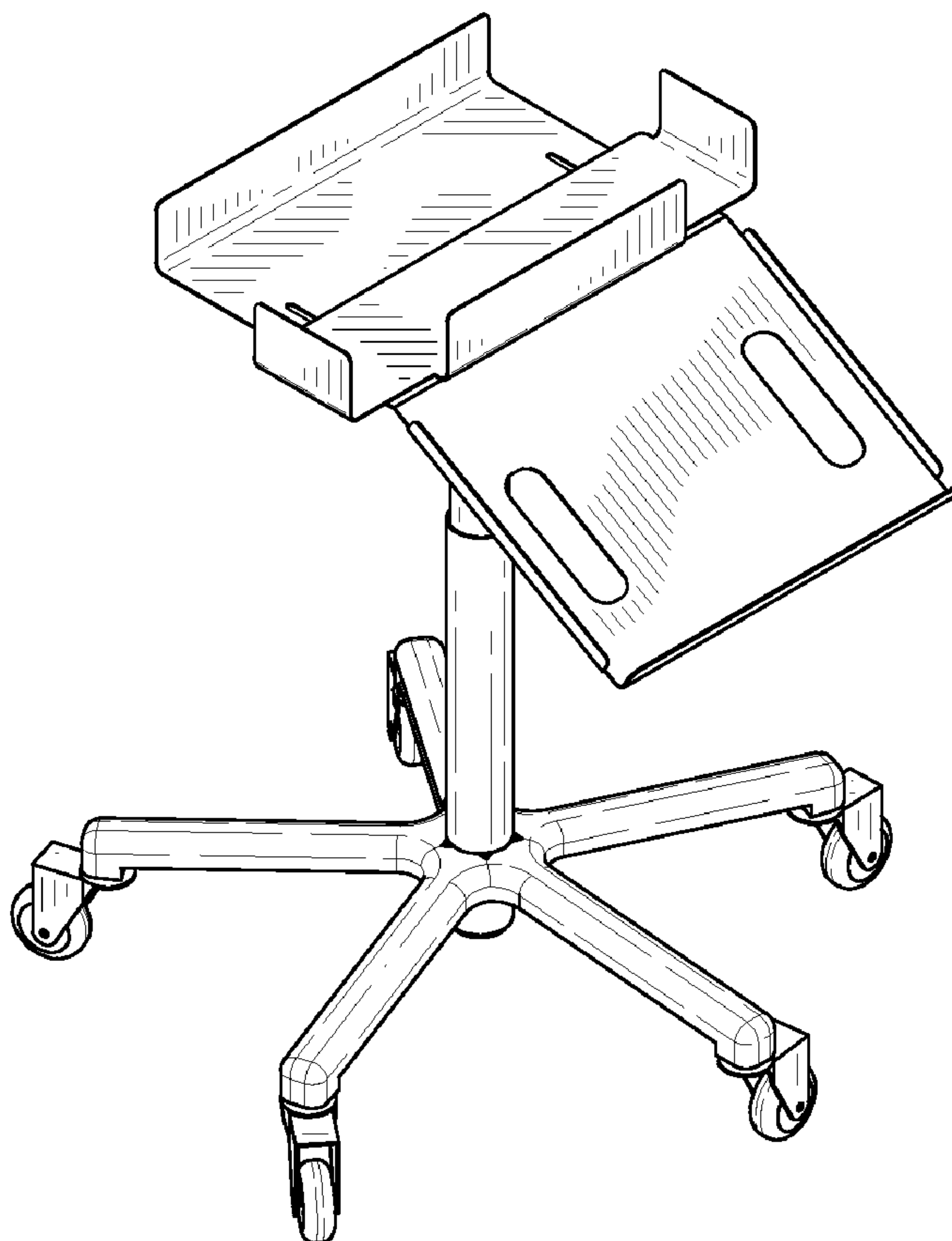
FIG. 5 is a front elevation view of the FIG. 1 cart;

FIG. 6 is a left side elevation view of the FIG. 1 cart;

FIG. 7 is a rear elevation view of the FIG. 1 cart; and,

FIG. 8 is a bottom plan view of the FIG. 1 cart.

**1 Claim, 3 Drawing Sheets**



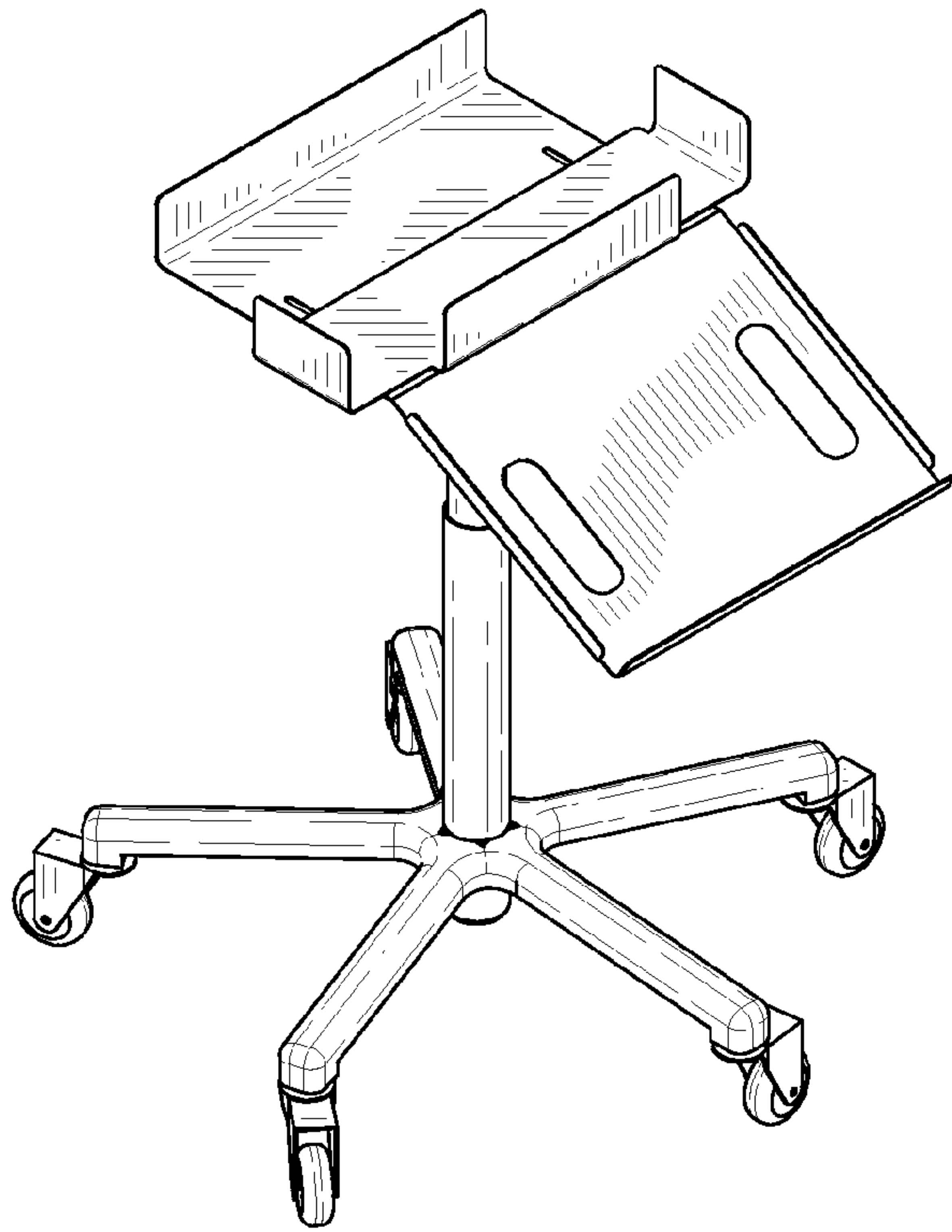


FIG-1

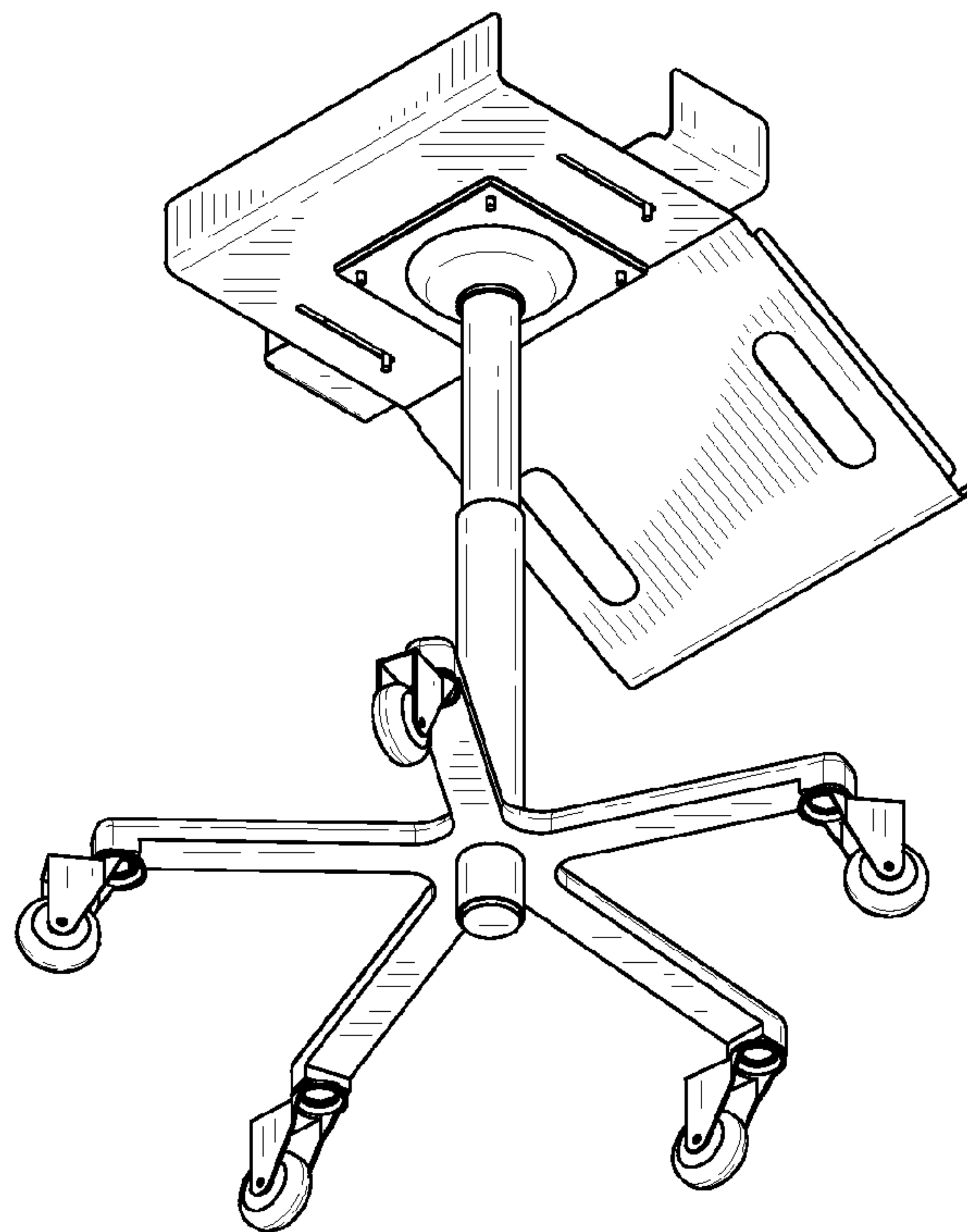


FIG-2

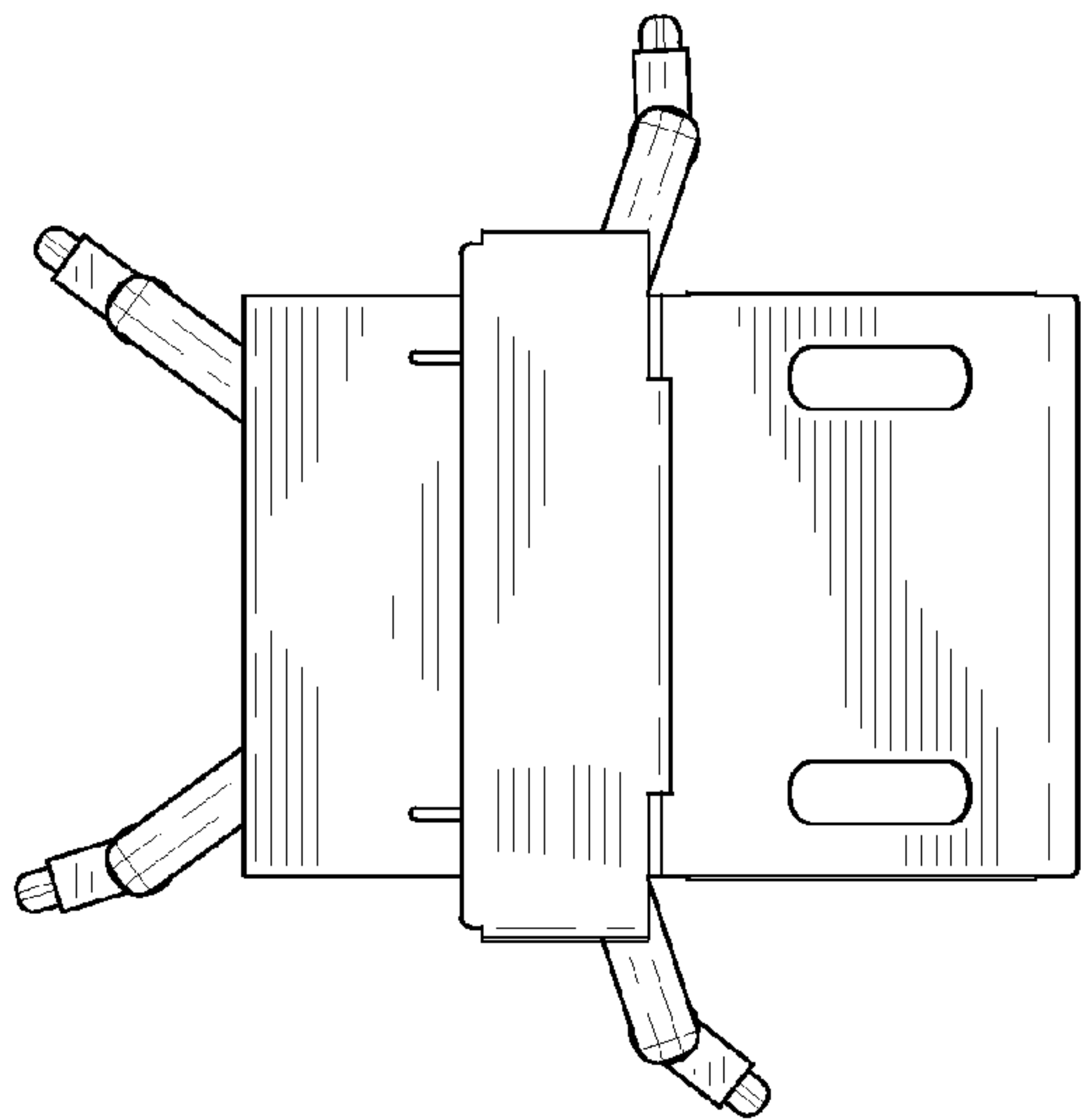


FIG-3

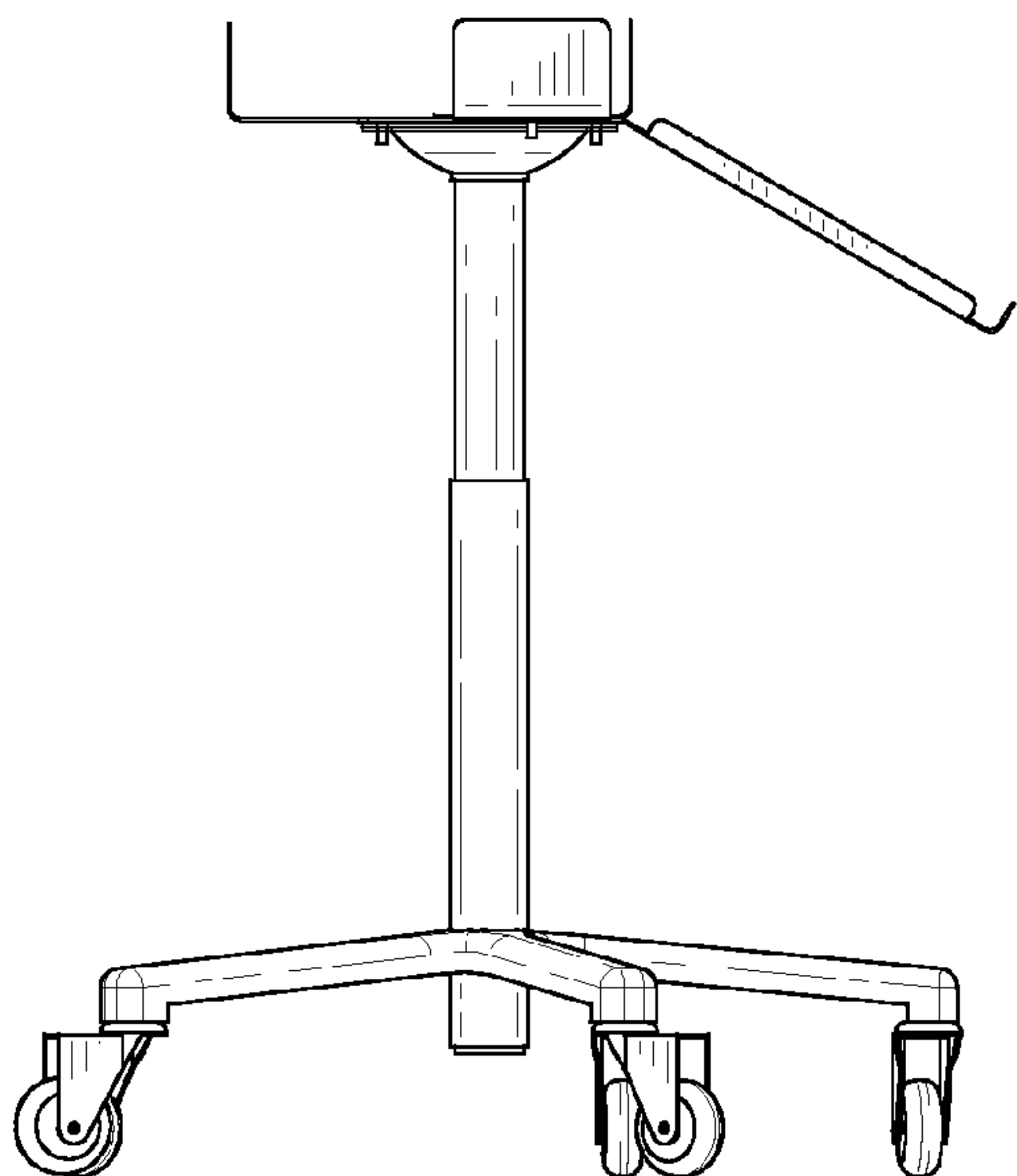


FIG-4

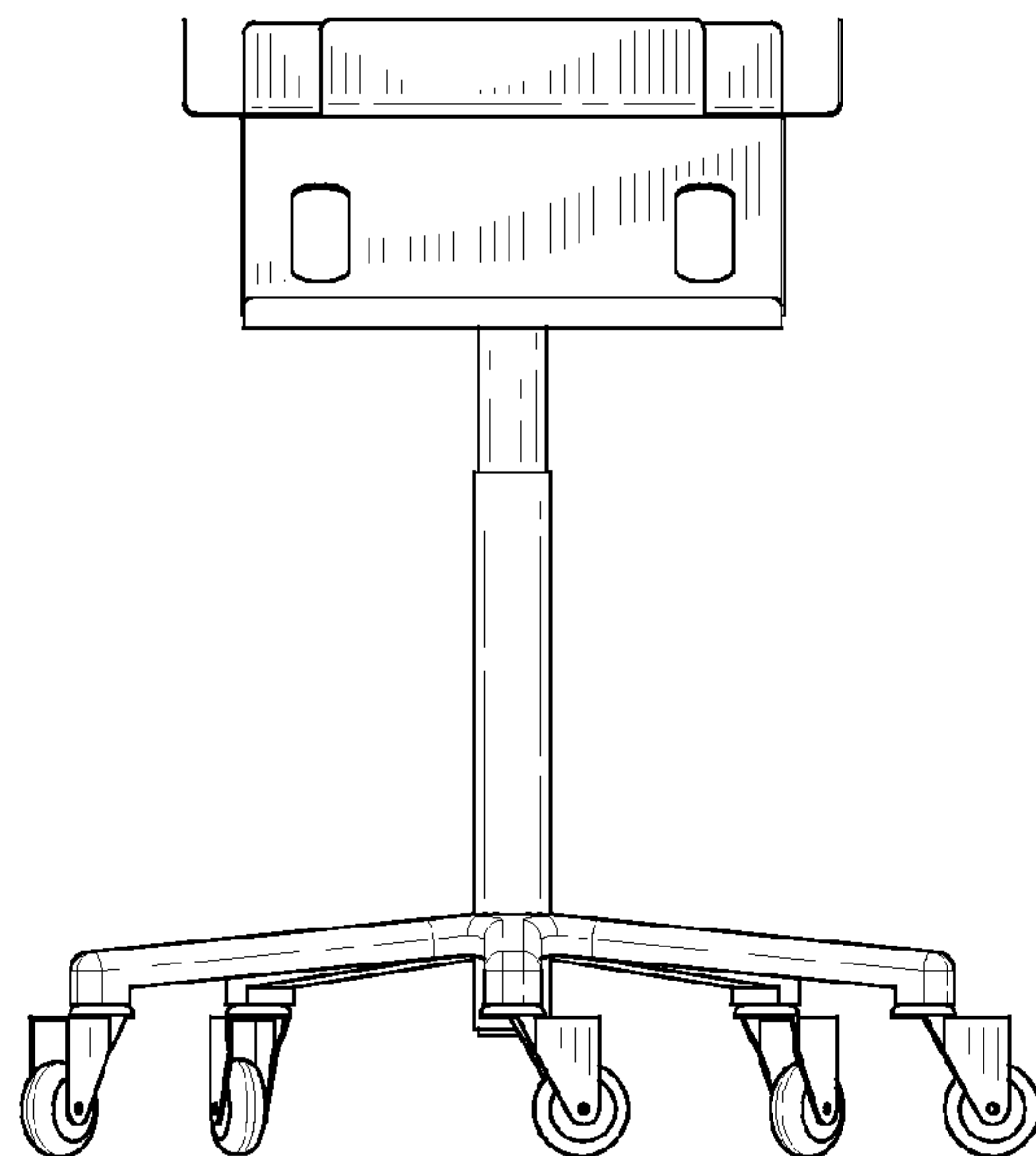


FIG-5

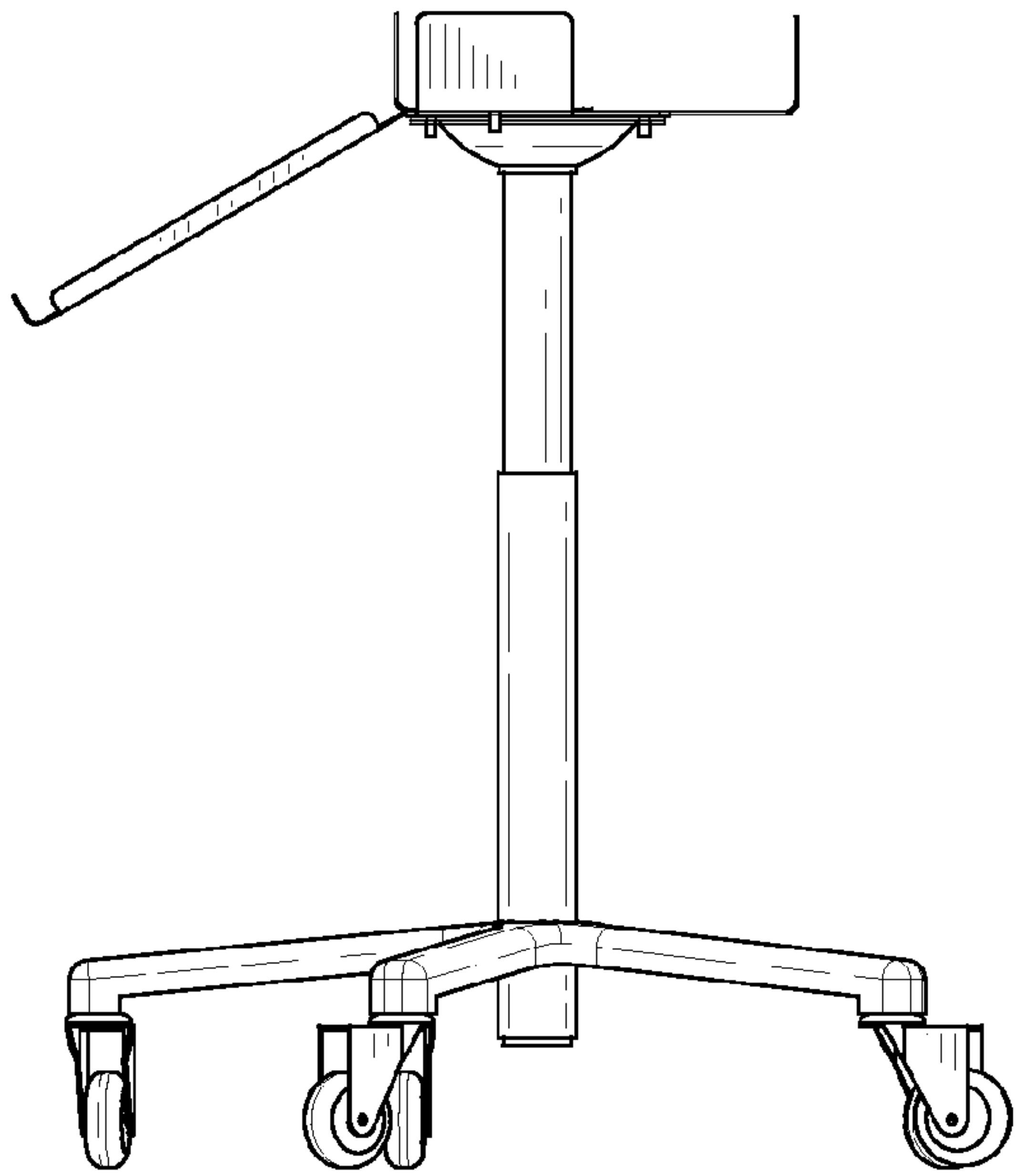


FIG-6

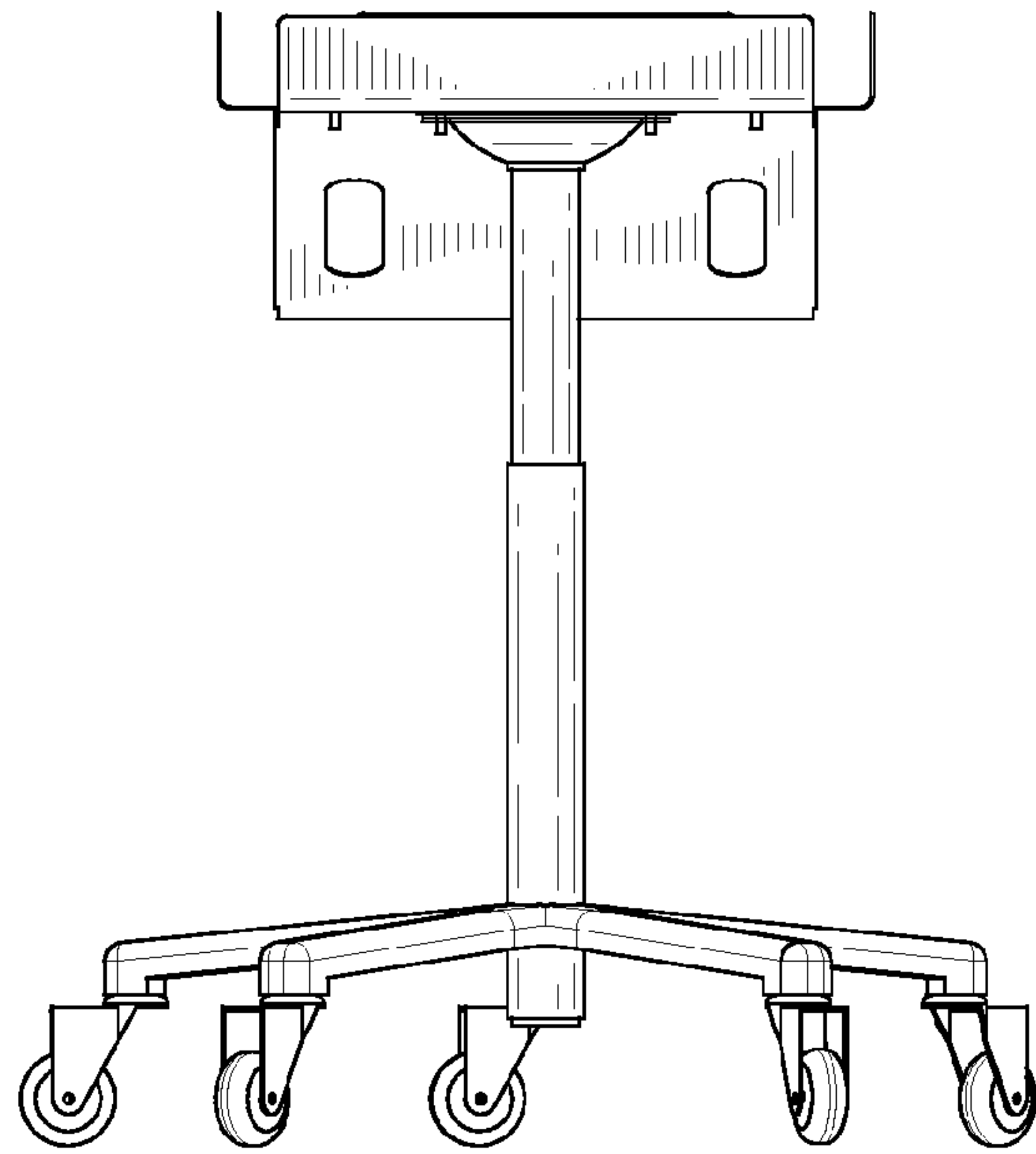


FIG-7

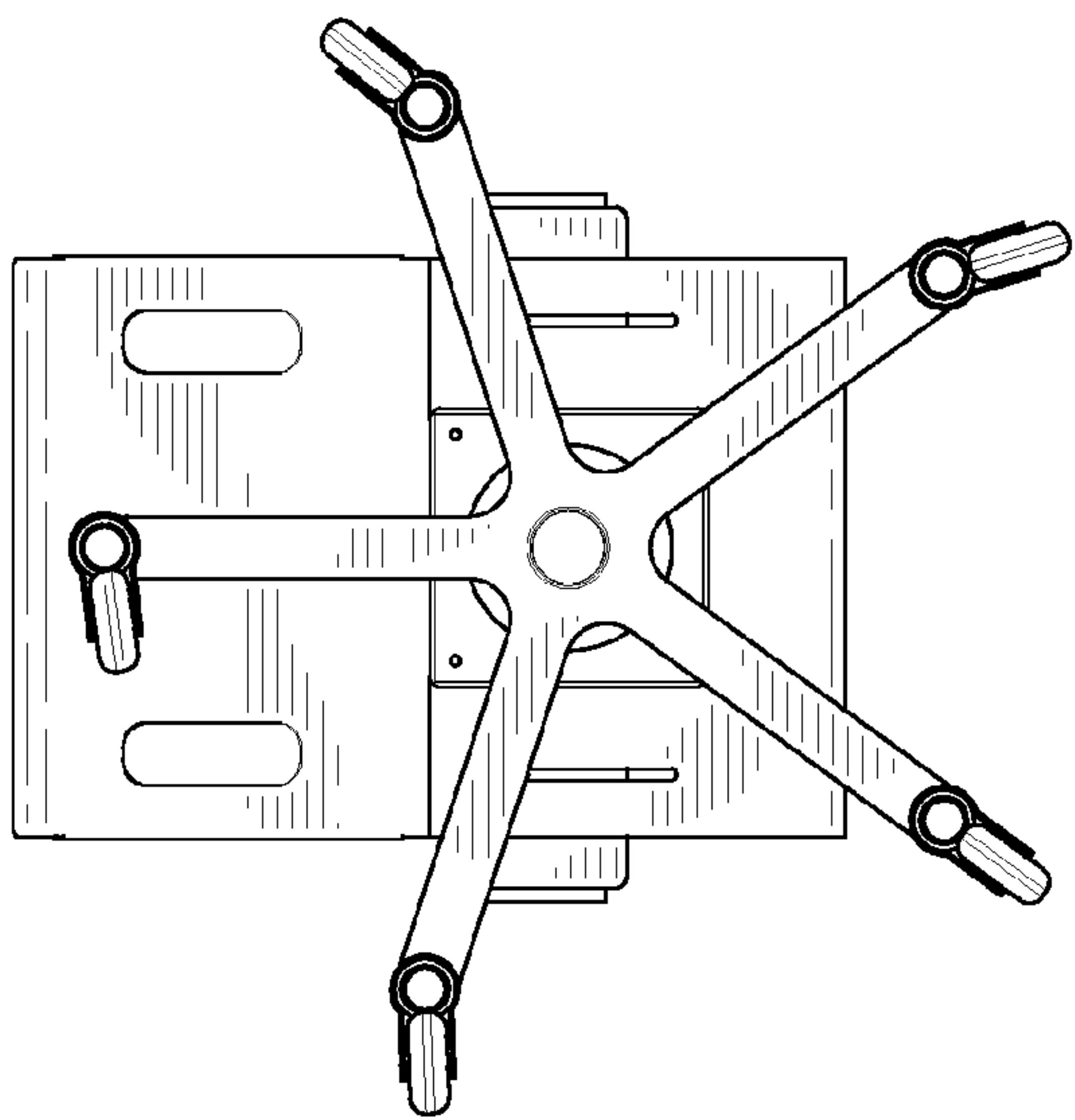


FIG-8