



US00D588254S

(12) **United States Design Patent**
Deng

(10) **Patent No.:** **US D588,254 S**
(45) **Date of Patent:** **** Mar. 10, 2009**

(54) **EXHAUST SYSTEM PANEL UNIT**

(75) Inventor: **Chaohua Deng**, Zhongshan (CN)

(73) Assignee: **Hanway Technology Co., Ltd.**,
Zhongshan (CN)

(**) Term: **14 Years**

(21) Appl. No.: **29/274,788**

(22) Filed: **May 25, 2007**

(30) **Foreign Application Priority Data**

Apr. 20, 2007 (CN) 2007 3 0053559

(51) **LOC (9) Cl.** **23-04**

(52) **U.S. Cl.** **D23/372**

(58) **Field of Classification Search** D23/372,
D23/371, 370, 355; D7/406; 126/299 D,
126/299 R

See application file for complete search history.

Primary Examiner—Lisa Lichtenstein

(57) **CLAIM**

The ornamental design for an exhaust system panel unit, as shown and described.

DESCRIPTION

FIG. 1 is a sectional top view of the panel of the exhaust system panel unit of the present invention taken along lines 1—1 in FIG. 3;

FIG. 2 is the sectional left view of the panel of the exhaust system panel unit of the present invention taken along lines 2—2 in FIG. 3;

FIG. 3 is the front view of the panel of the exhaust system panel unit of the present invention;

FIG. 4 is a perspective view of the exhaust system panel unit panel of the present invention;

FIG. 5 is the sectional right view of the panel of the exhaust system panel unit of the present invention taken along lines 5—5 in FIG. 3;

FIG. 6 is the back view of the panel of the present invention;

FIG. 7 is the perspective view of the panel of the present invention;

FIG. 8 is the front view of the panel member 1 of the present invention;

FIG. 9 is the back view of the panel member 1 of the present invention;

FIG. 10 is the perspective view of the panel member 1 of the present invention;

FIG. 11 is another perspective view of the panel member 1 of the present invention;

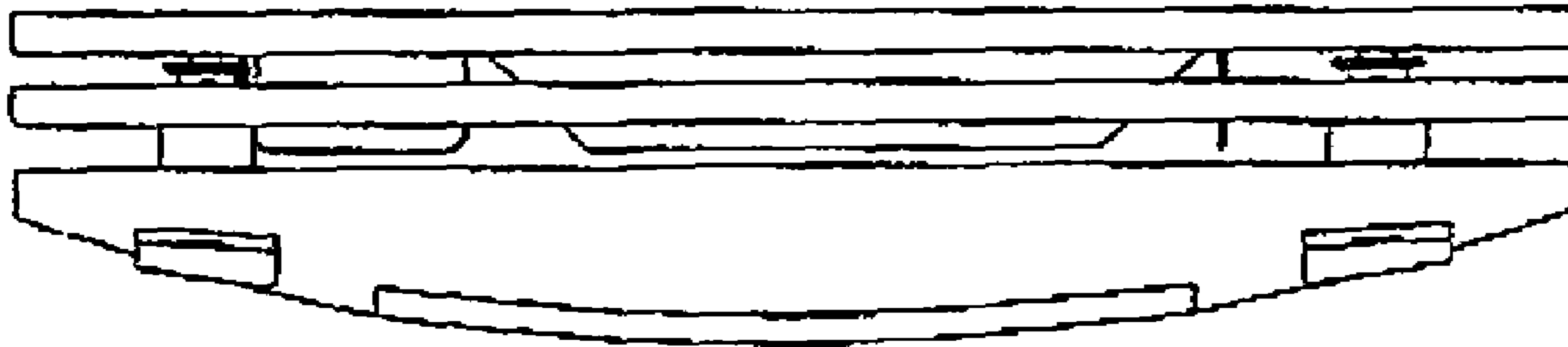
FIG. 12 is the front view of the panel member 2 of the present invention;

FIG. 13 is the sectional left view of the panel of the exhaust system panel unit of the present invention taken along lines 13—13 in FIG. 3;

FIG. 14 is the perspective view of the panel member 2 of the present invention; and,

FIG. 15 is the perspective view of the panel member 2 after partial installation of the present invention.

1 Claim, 14 Drawing Sheets



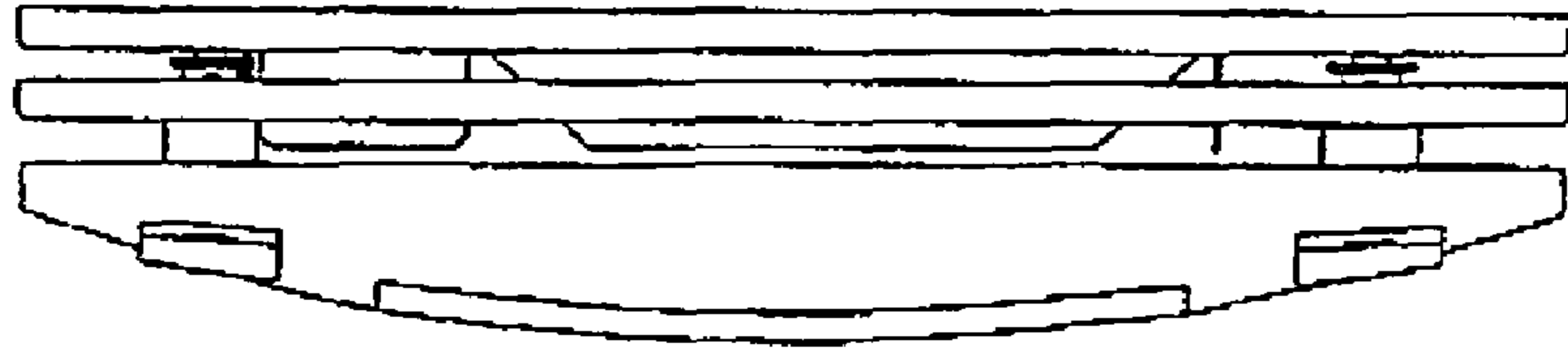


FIG. 1

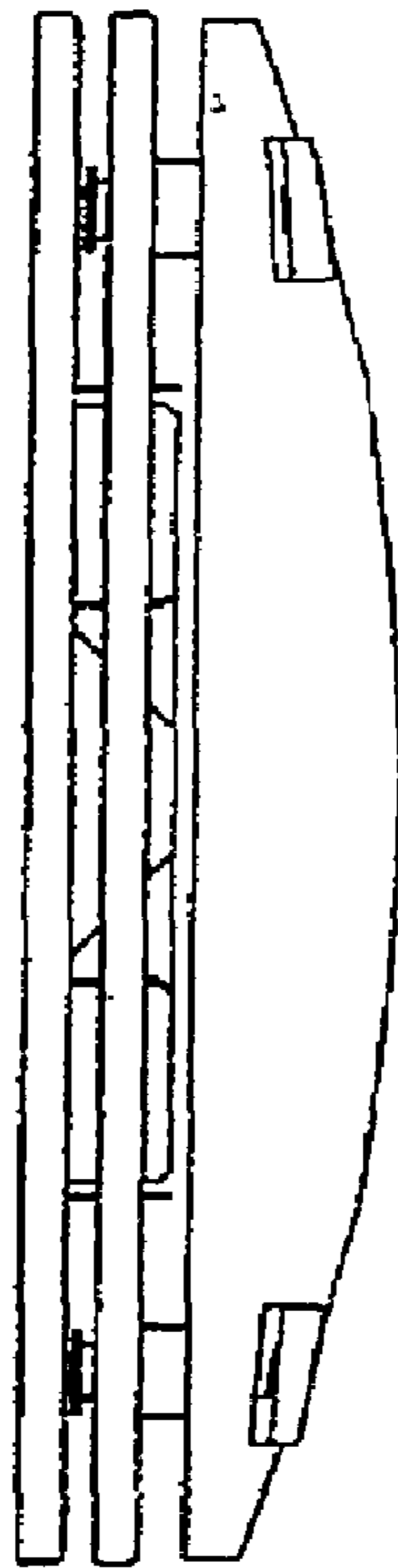


FIG. 2

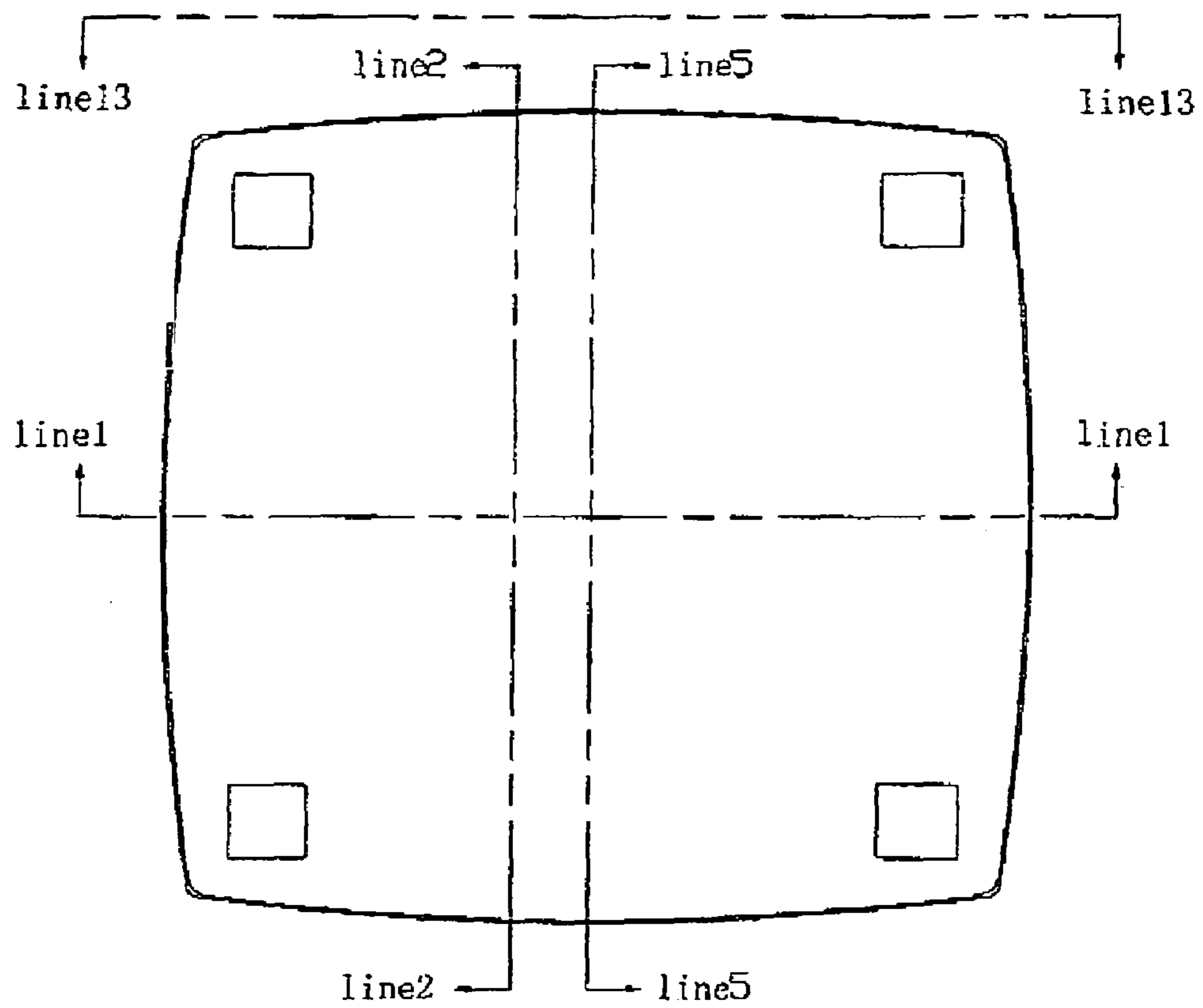


FIG. 3

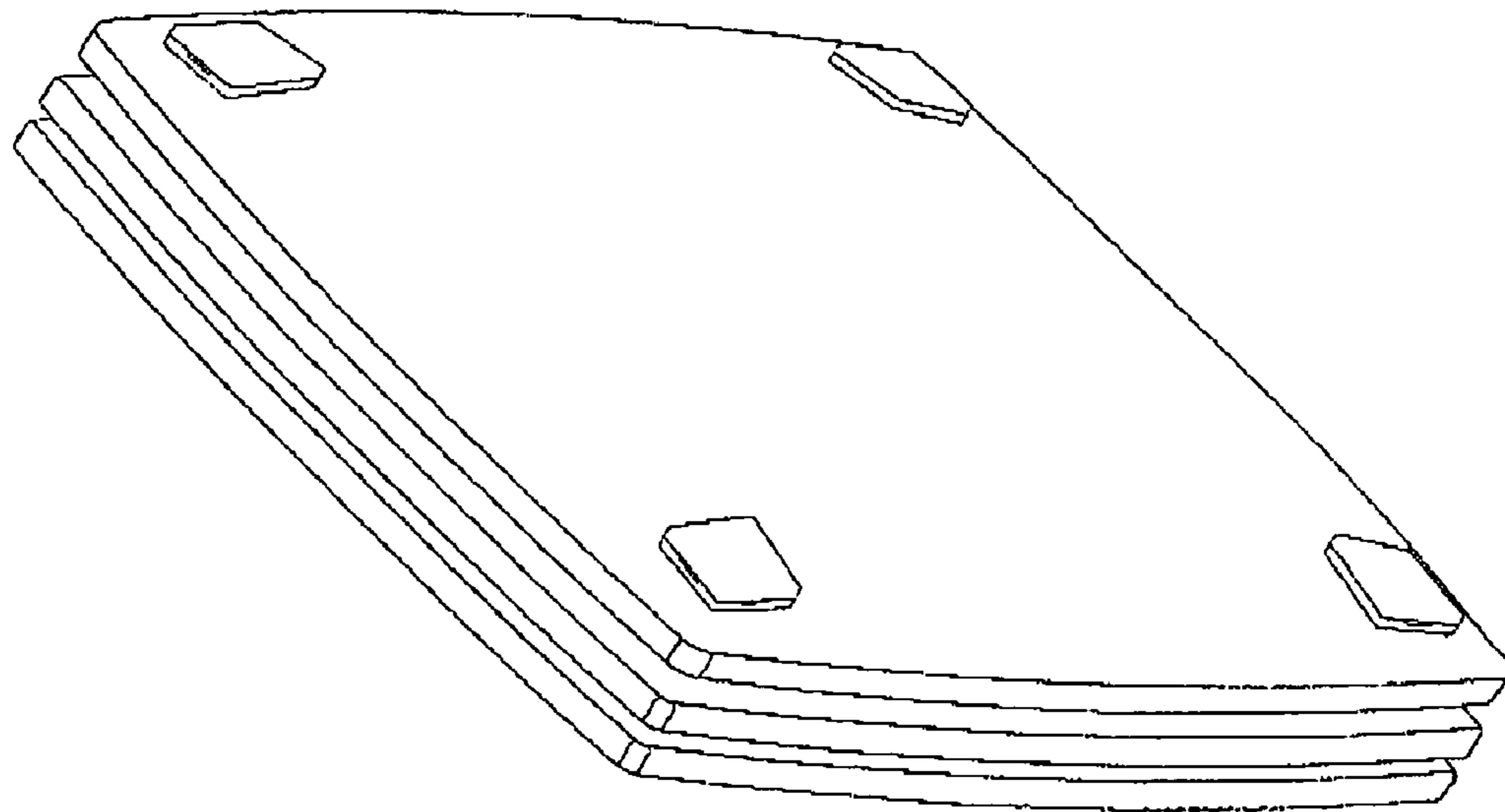


FIG. 4

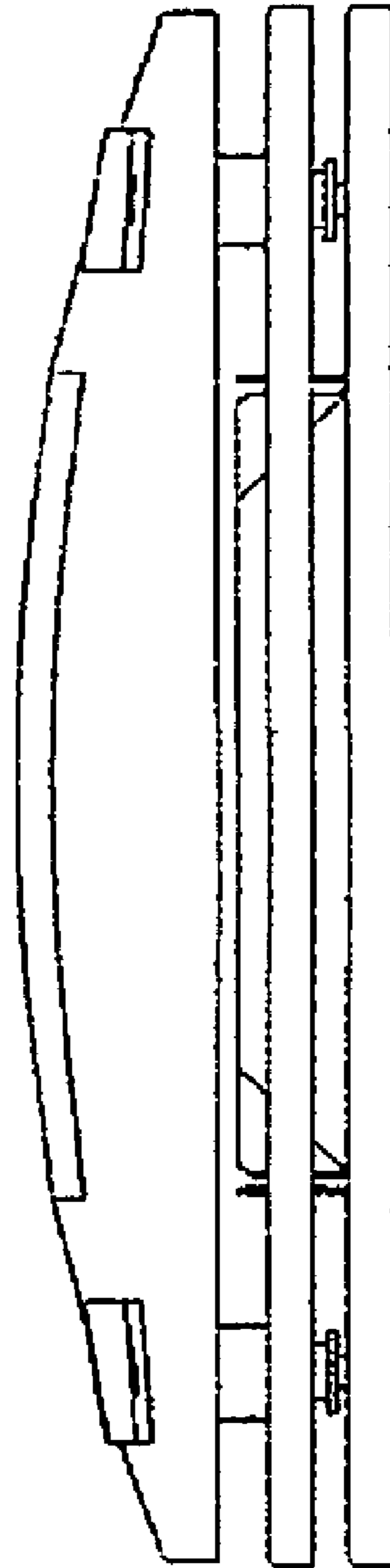


FIG. 5

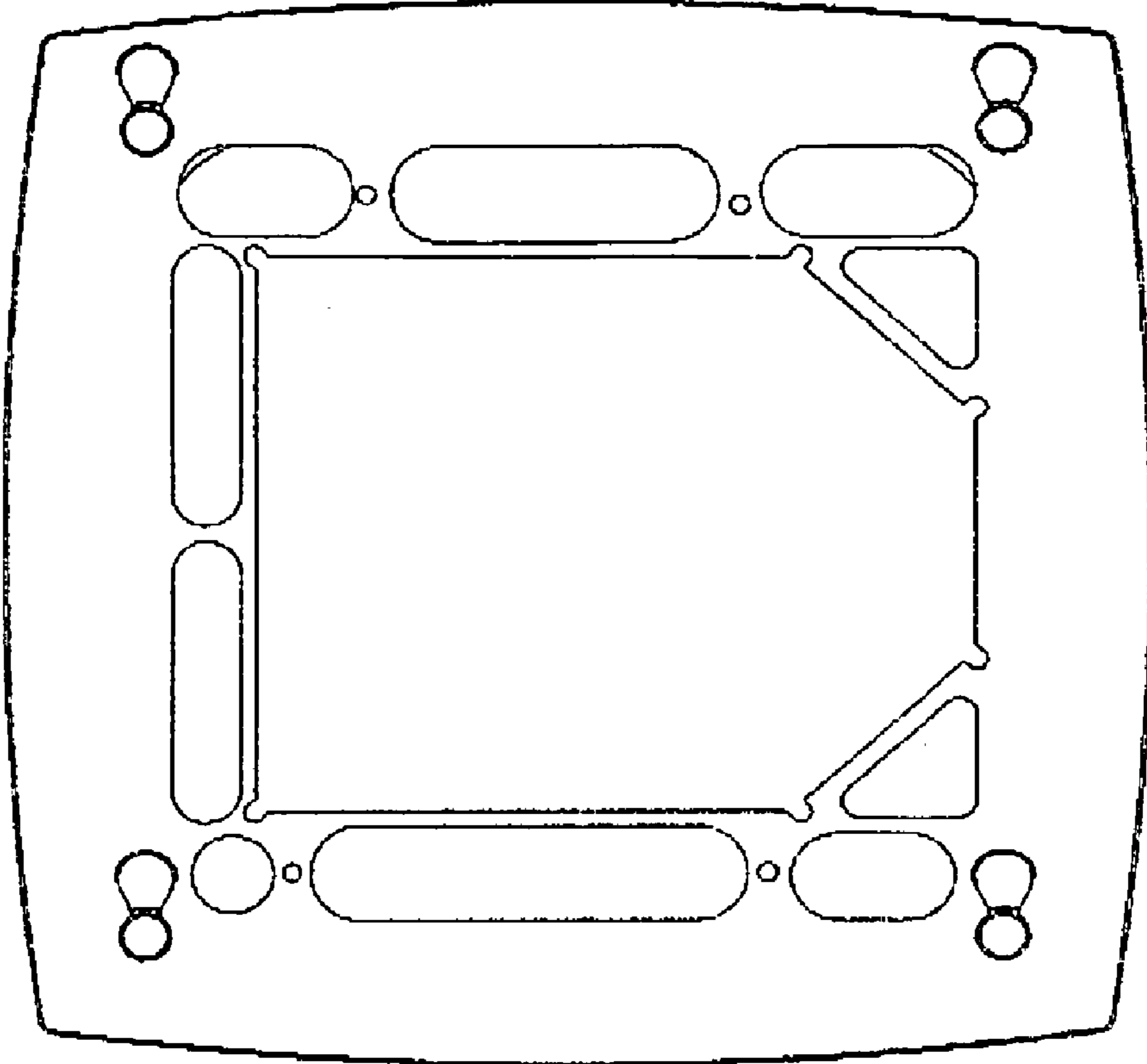


FIG. 6

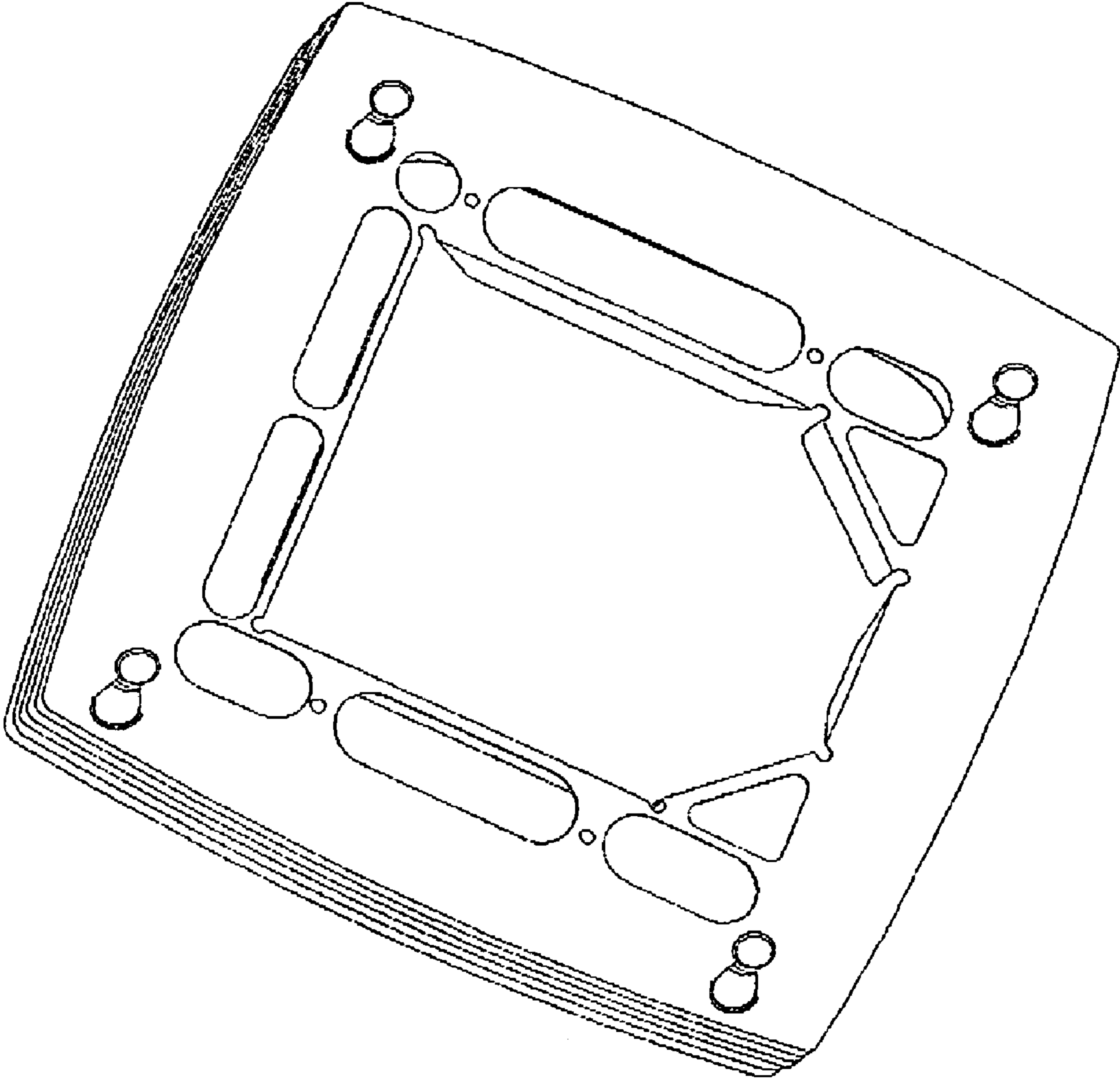


FIG. 7

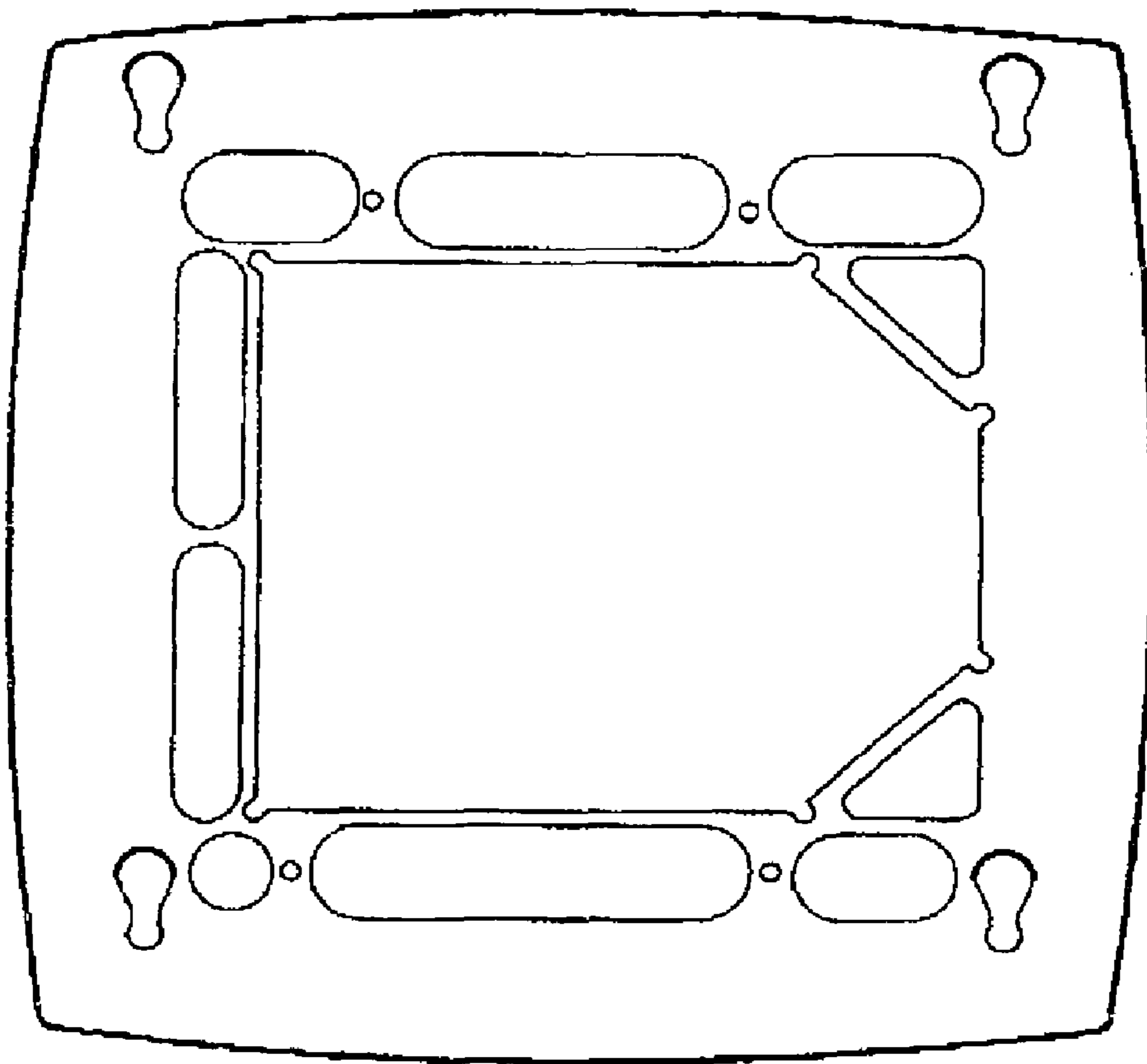


FIG. 8

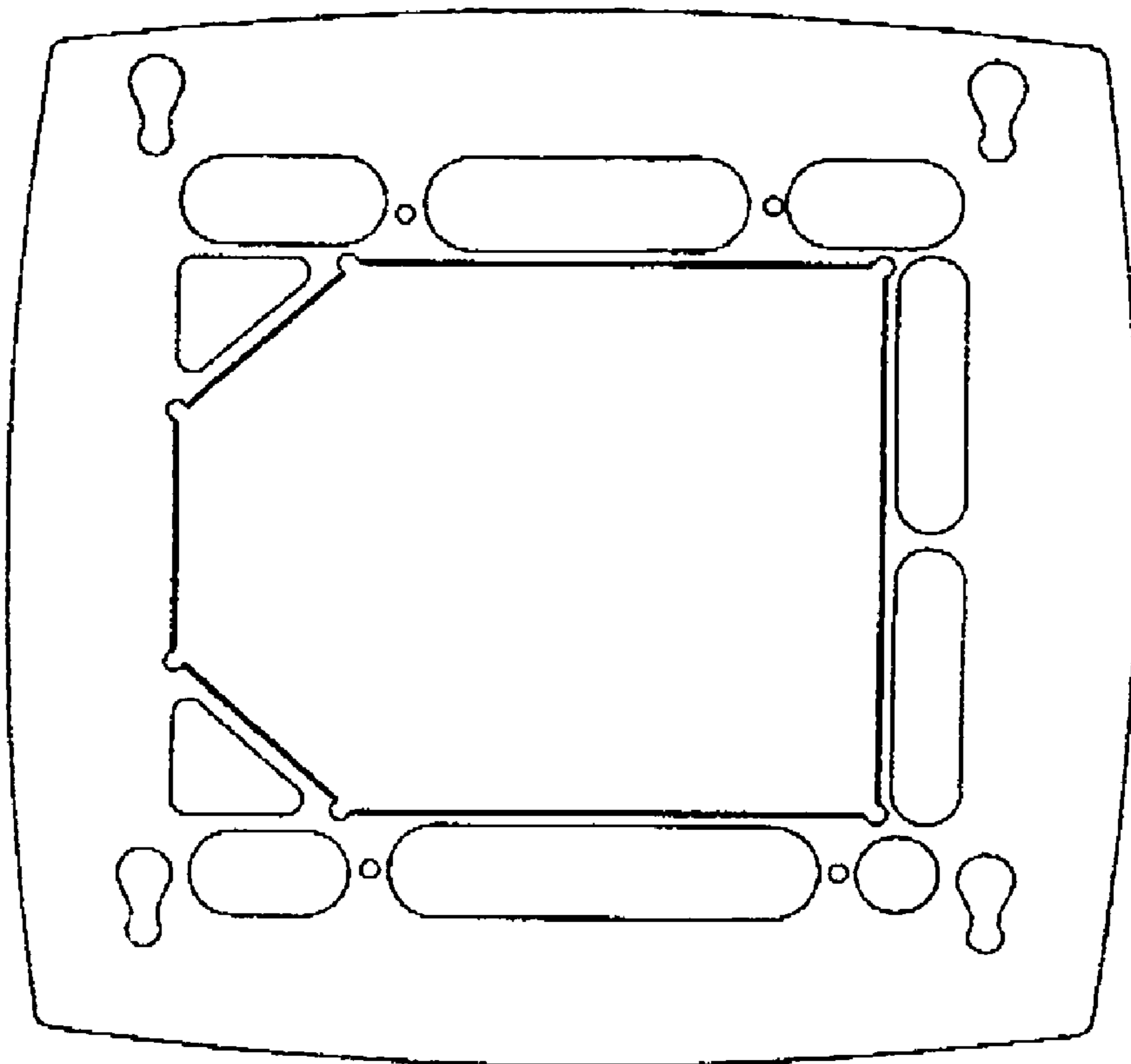


FIG. 9

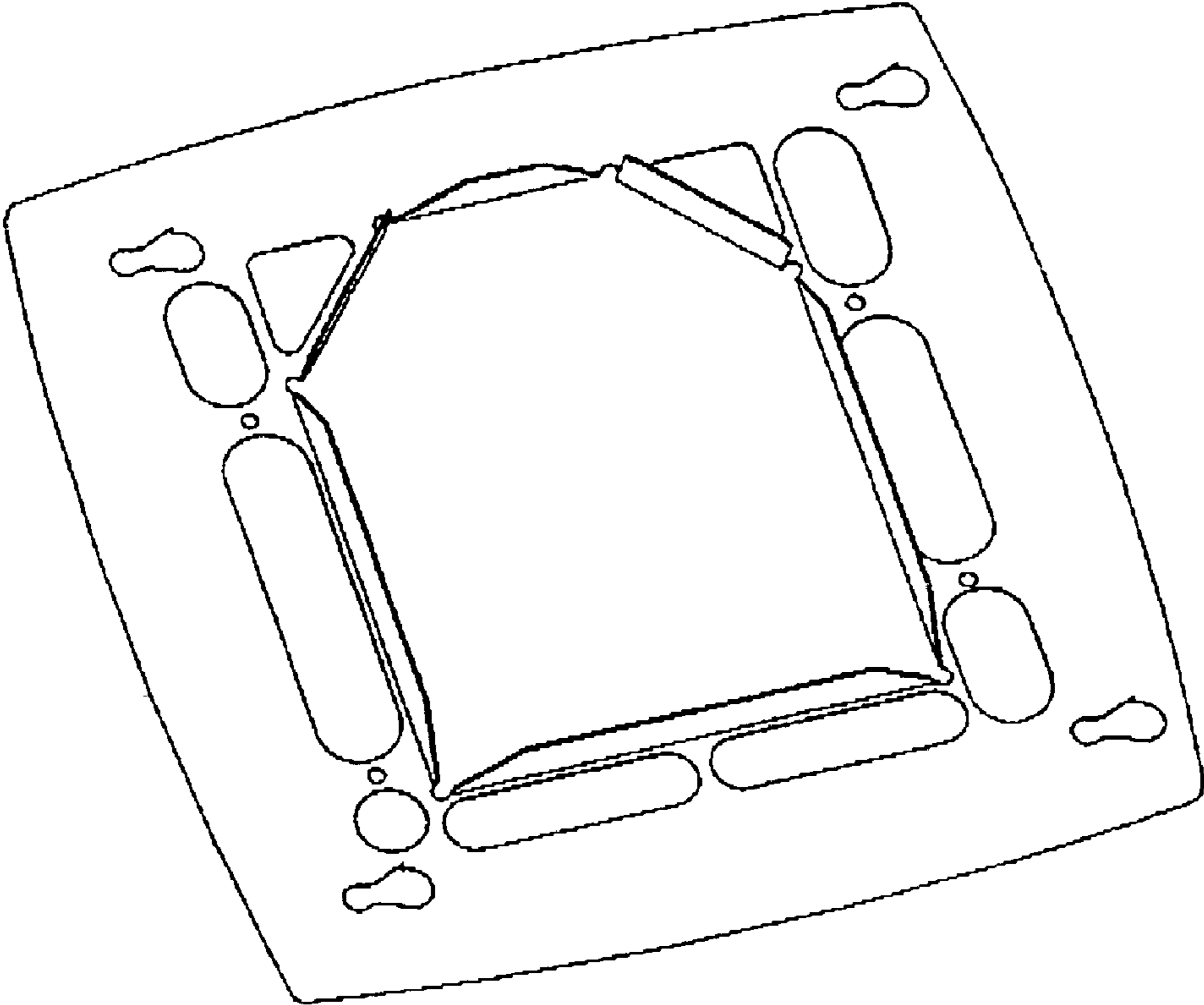


FIG. 10

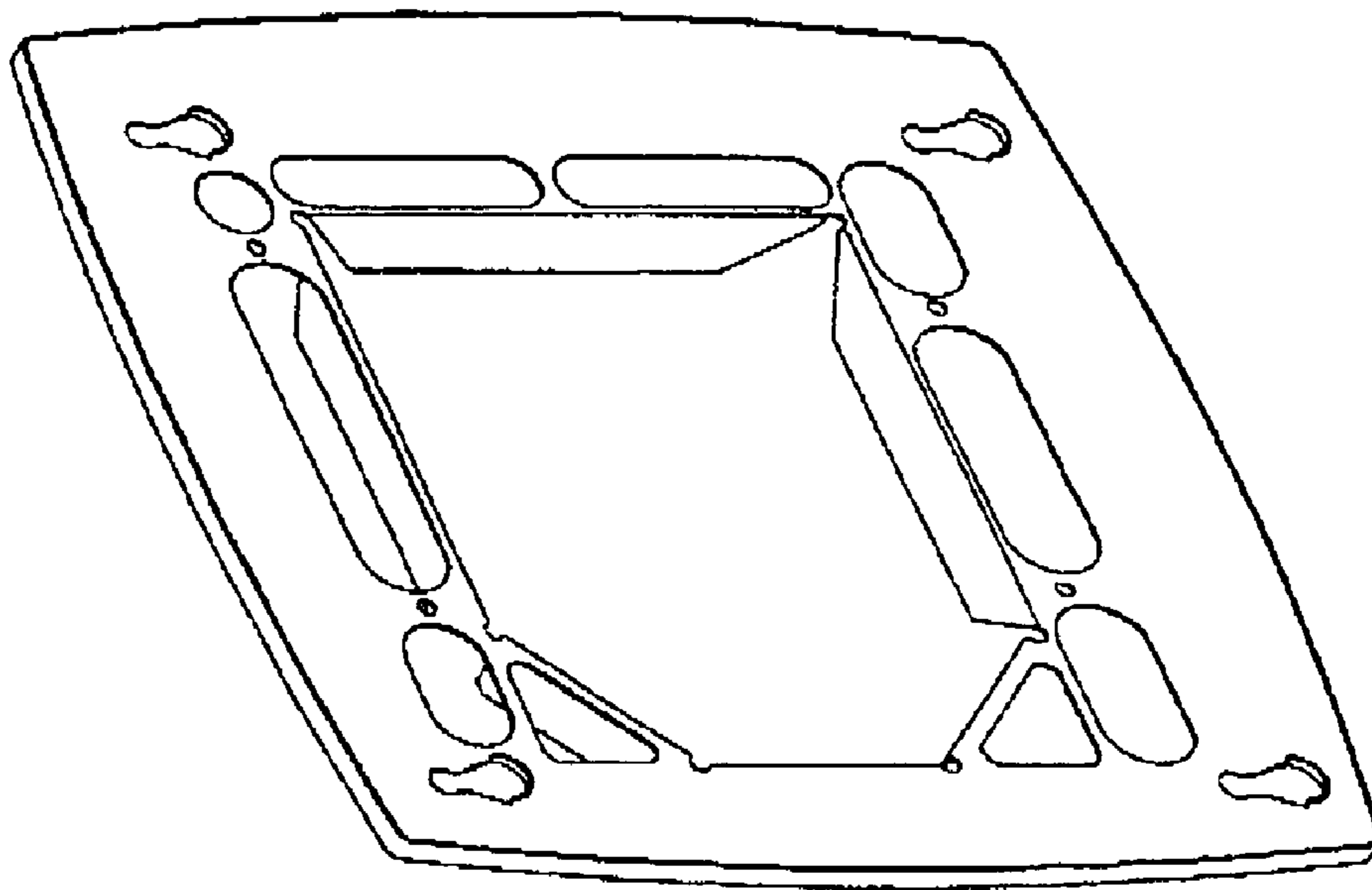


FIG. 11

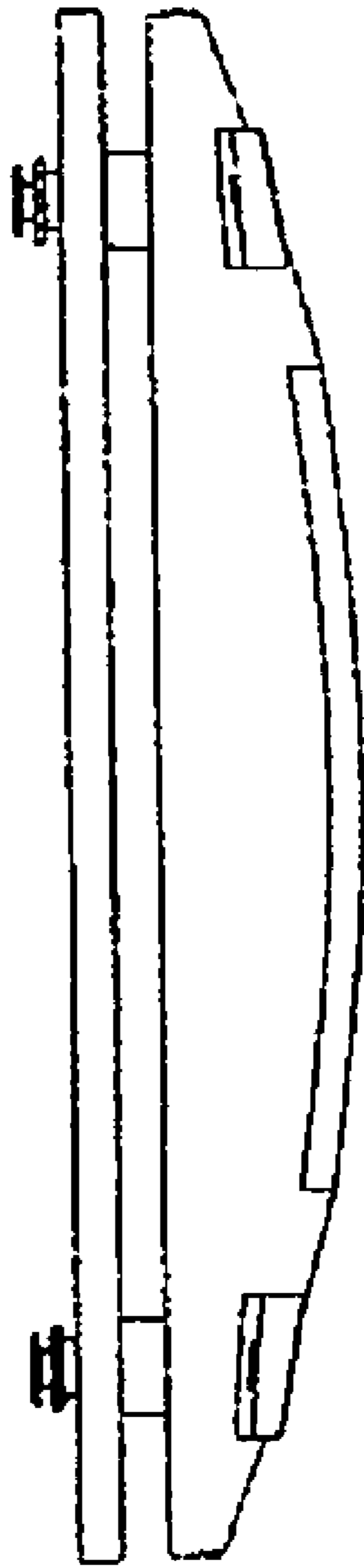


FIG. 12

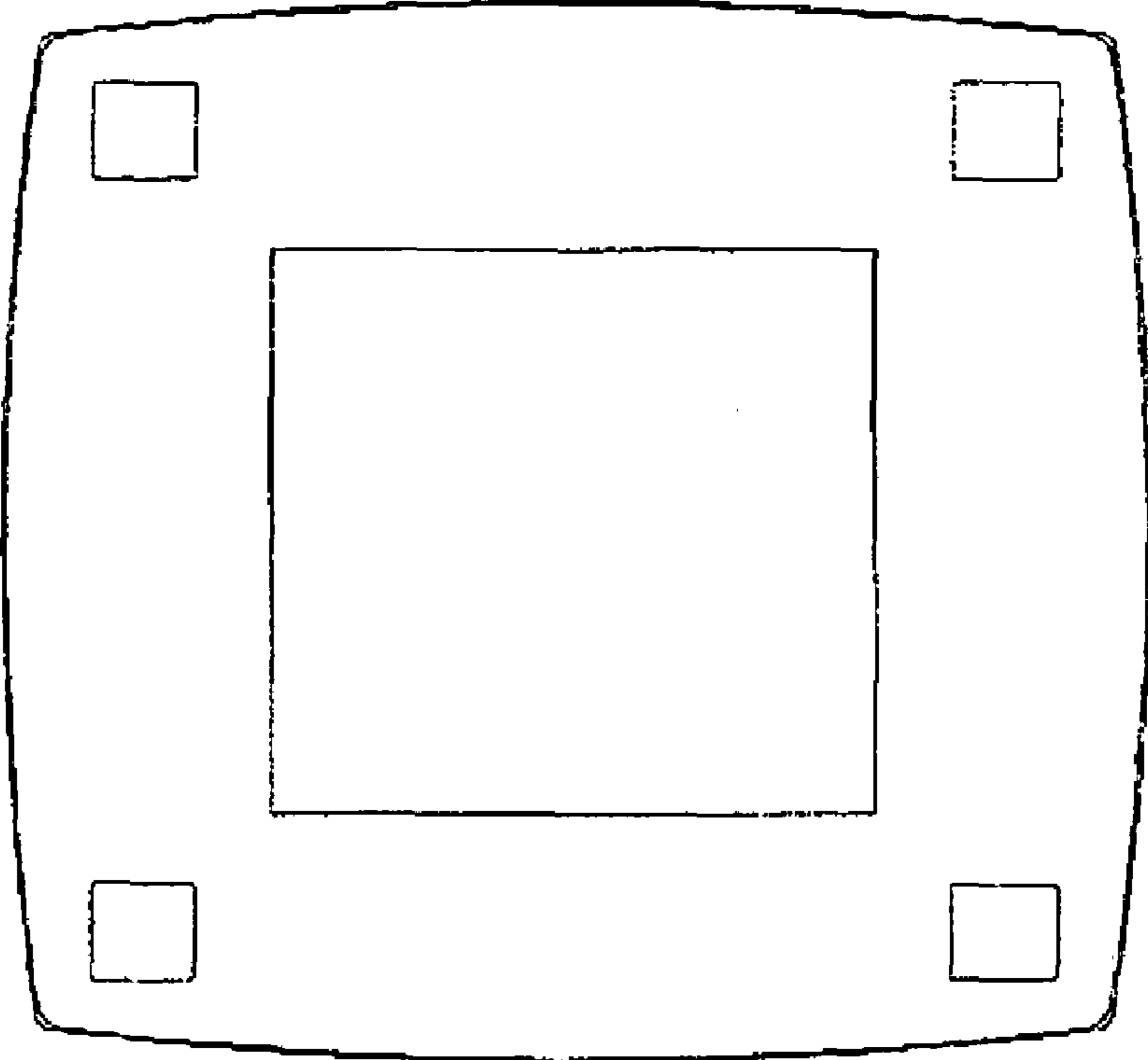


FIG. 13

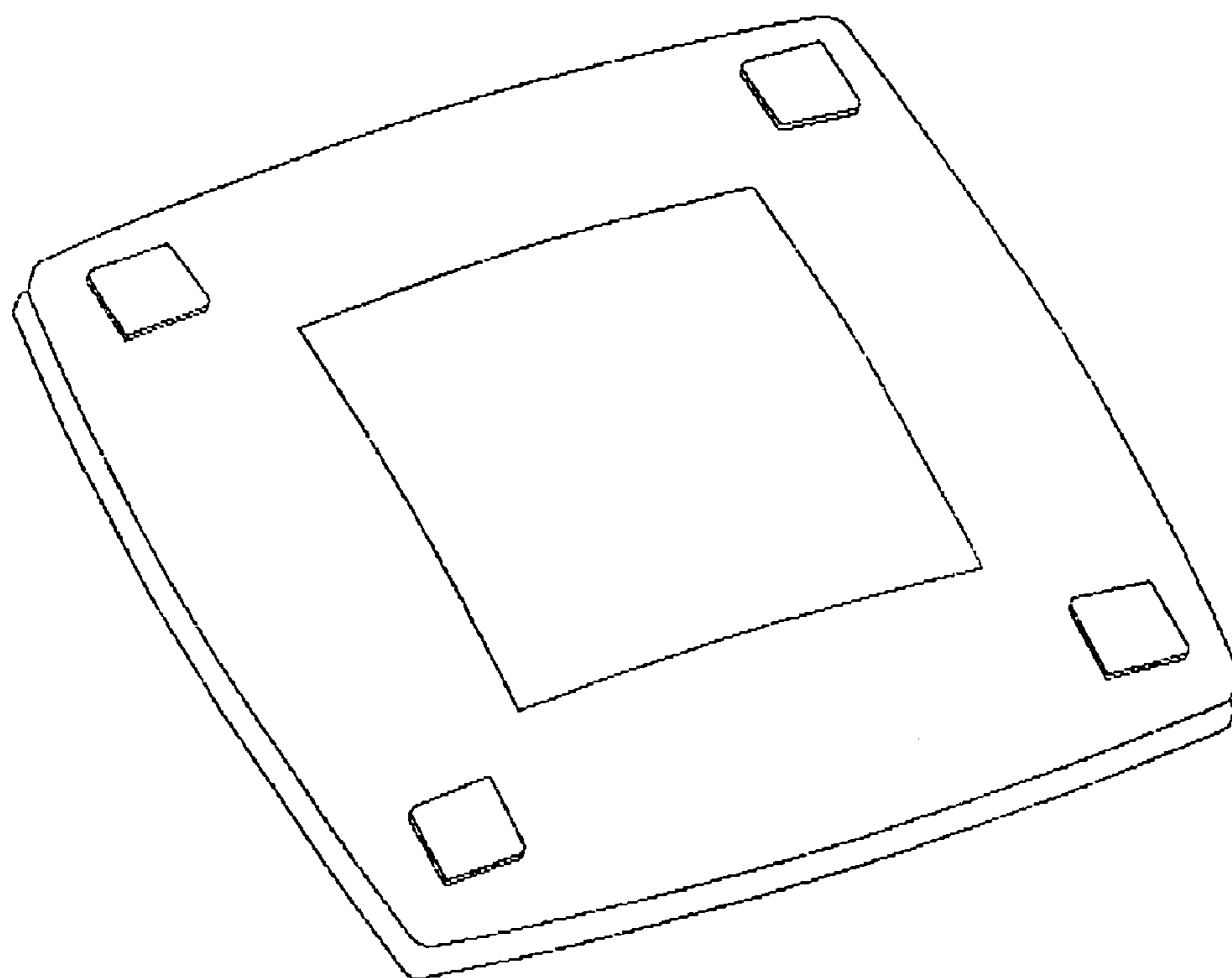


FIG. 14

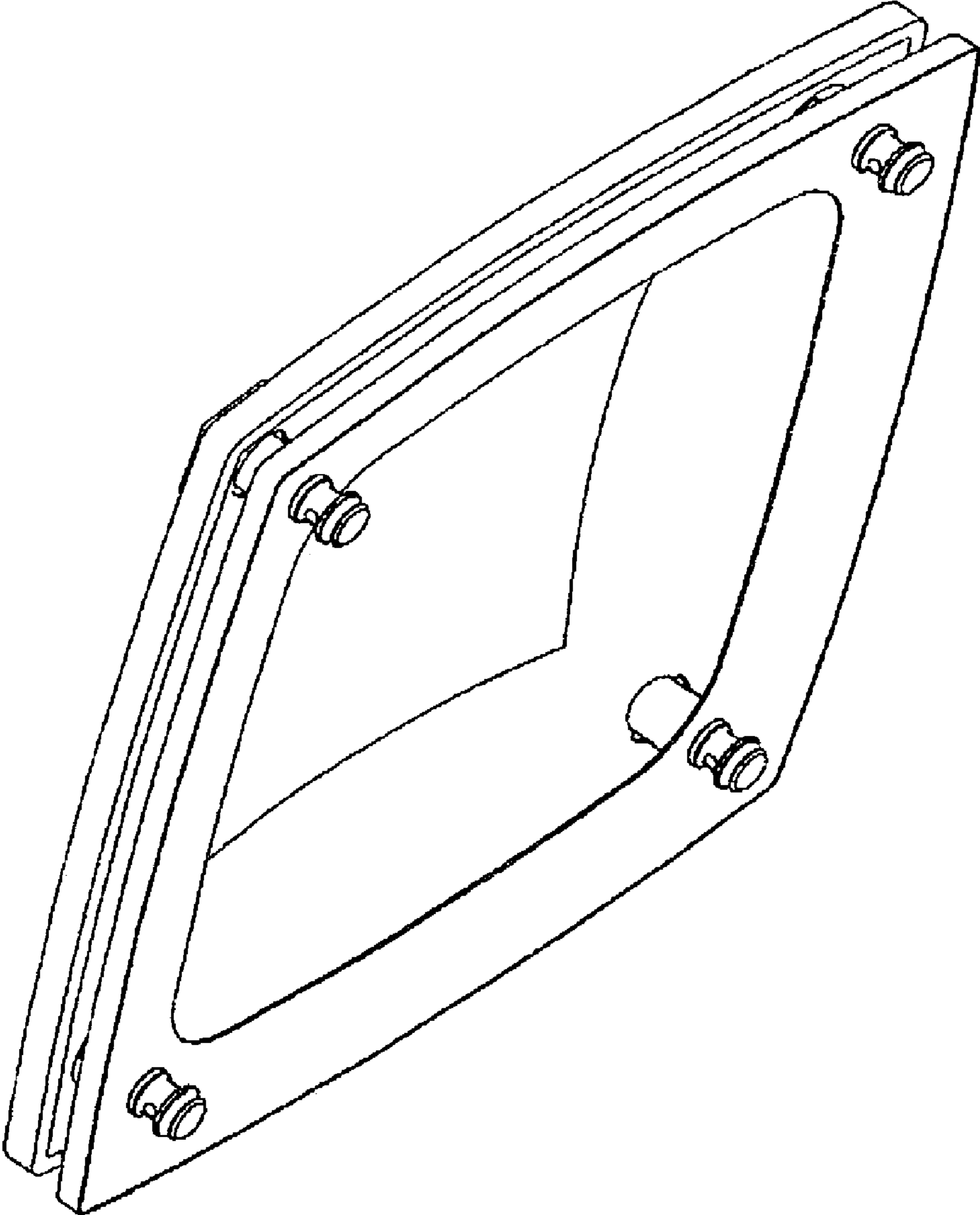


FIG. 15