



US00D588247S

(12) **United States Design Patent**
Hanna et al.

(10) **Patent No.:** **US D588,247 S**
(45) **Date of Patent:** **** Mar. 10, 2009**

(54) **LAVATORY**

(74) *Attorney, Agent, or Firm*—Quarles & Brady LLP

(75) Inventors: **Ken S. Hanna**, Adell, WI (US); **Emily K. Dufour**, Sheboygan, WI (US)

(57) **CLAIM**

The ornamental design for a lavatory, as shown and described.

(73) Assignee: **Kohler Co.**, Kohler, WI (US)

(**) Term: **14 Years**

DESCRIPTION

(21) Appl. No.: **29/305,116**

In a preferred embodiment, the nature of this product is as a plumbing fixture in the form of a lavatory which is primarily useful for washing various items and the body parts of humans.

(22) Filed: **Mar. 13, 2008**

(51) **LOC (9) Cl.** **23-02**

(52) **U.S. Cl.** **D23/293.1**

(58) **Field of Classification Search** D23/271–274,
D23/284, 287, 291–293.1, 303, 308, 290;
4/630, 631, 637, 638, 661, 639–643, 619,
4/663–664

See application file for complete search history.

FIG. 1 is a right, top, front perspective view of a lavatory embodying our new design;

FIG. 2 is a top plan view thereof;

FIG. 3 is a front elevational view thereof, the right side, left side and rear elevational views thereof being identical to the front shown;

FIG. 4 is a bottom plan view thereof;

FIG. 5 is a sectional view taken along line 5–5 in FIG. 2;

FIG. 6 is a right, top, front perspective view of a lavatory according to another embodiment of our new design having shading lines indicating transparency;

FIG. 7 is a top plan view thereof;

FIG. 8 is a front elevational view thereof, the right side, left side and rear elevational views thereof being identical to the front shown;

FIG. 9 is a bottom plan view thereof; and,

FIG. 10 is a sectional view taken along line 10–10 in FIG. 7.

The broken line representations in the figures are for the purpose of illustration only, and form no part of the claimed design.

(56) **References Cited**

U.S. PATENT DOCUMENTS

- D430,274 S * 8/2000 Marshall D23/284
- D513,794 S * 1/2006 Ferrer Beltran D23/293.1
- D563,534 S * 3/2008 Kergoet D23/293.1

OTHER PUBLICATIONS

- Kohler Co. “Botticelli Vessels countertop lavatory”. Model No. K-2333. Kohler Co. online catalog. Copyright 2008 Kohler Co.
- Kohler Co. “Lavinia Vessels glass lavatory”. Model No. K-2367. Kohler Co. online catalog. Copyright 2008 Kohler Co.
- American Bath Factory, “Art-Cast Metal”. American Bath Factory. Catalog p. 93.

* cited by examiner

Primary Examiner—Robert A Delehanty

1 Claim, 4 Drawing Sheets

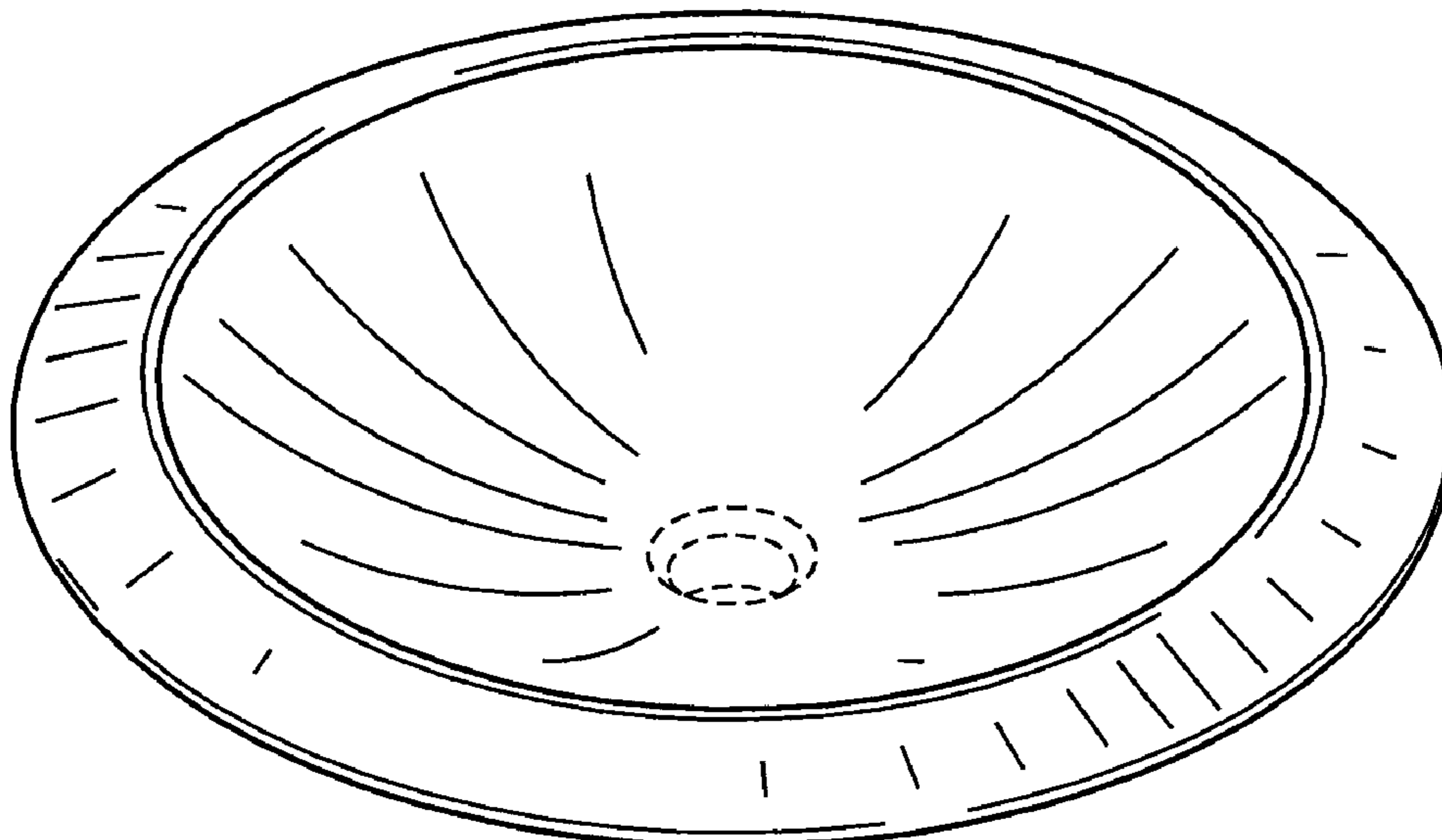


FIG. 1

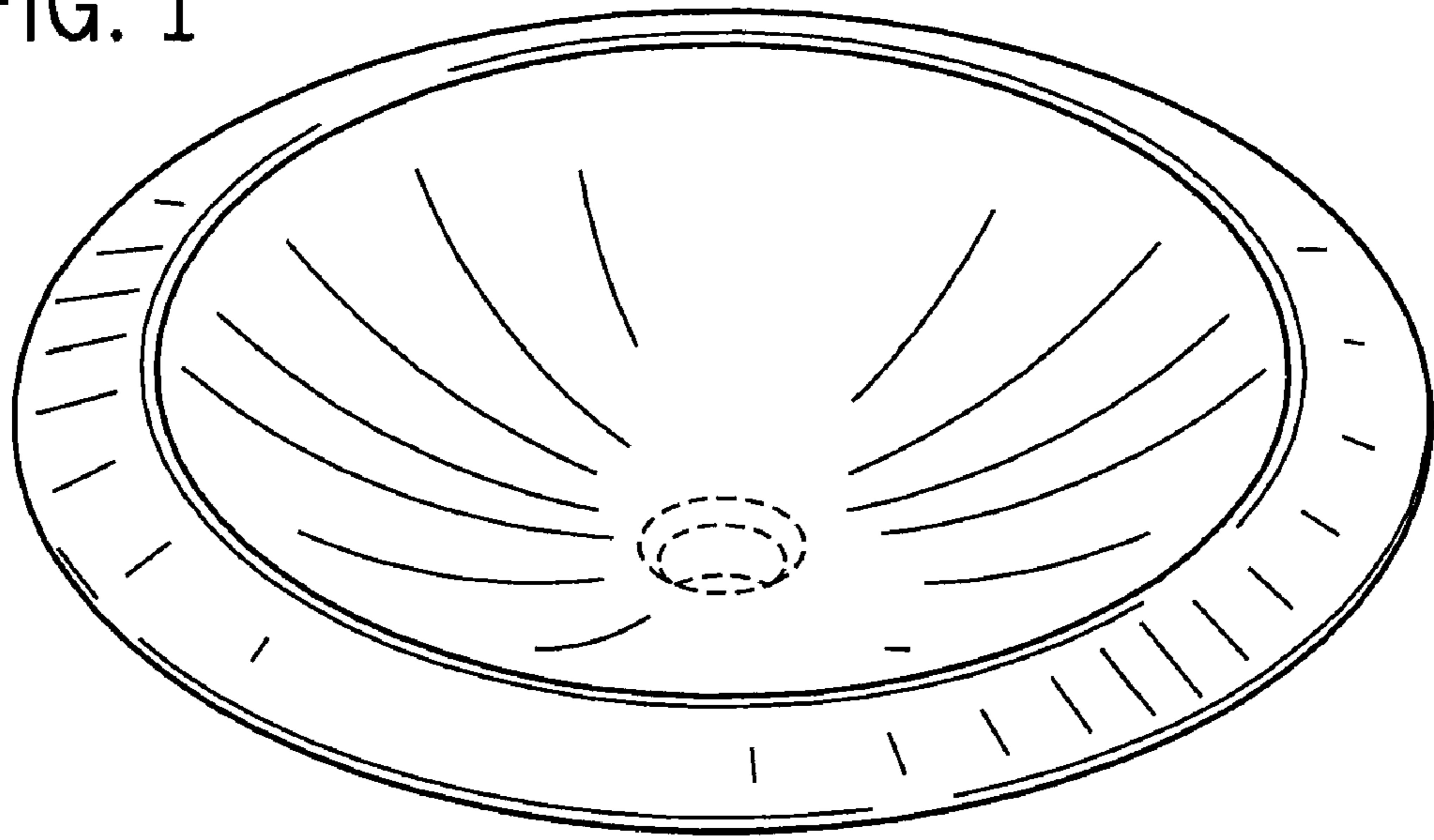


FIG. 2

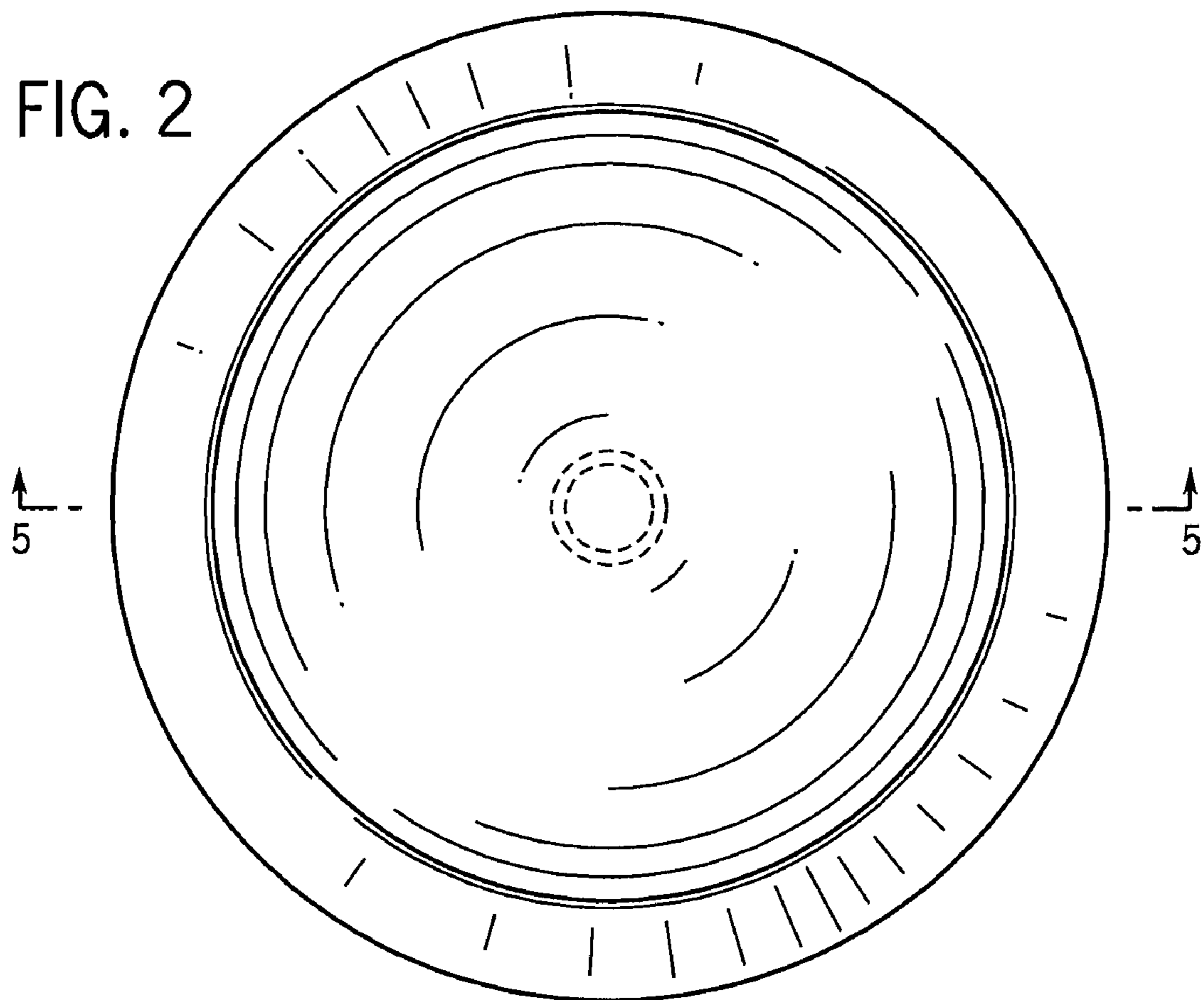


FIG. 3

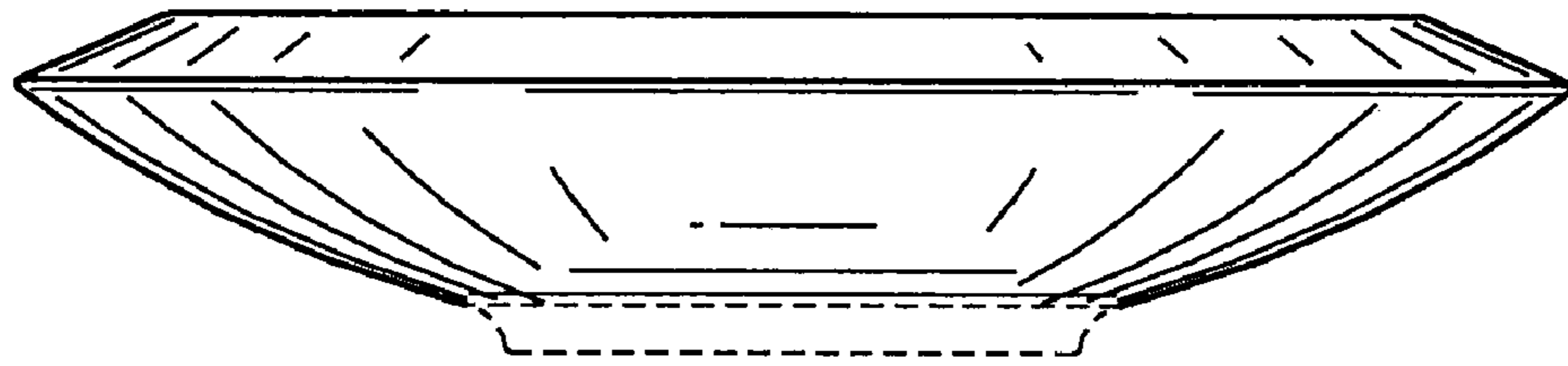


FIG. 4

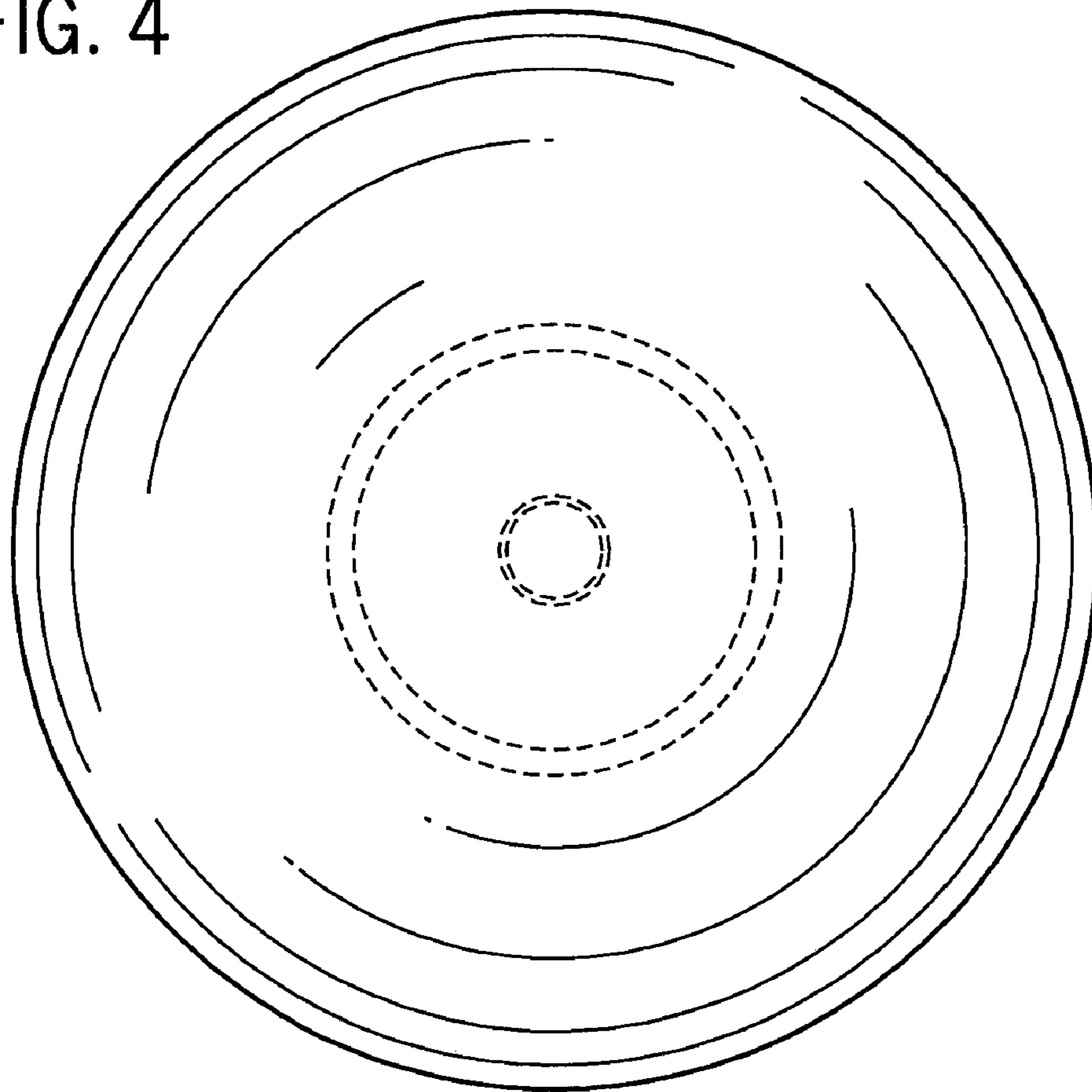


FIG. 5

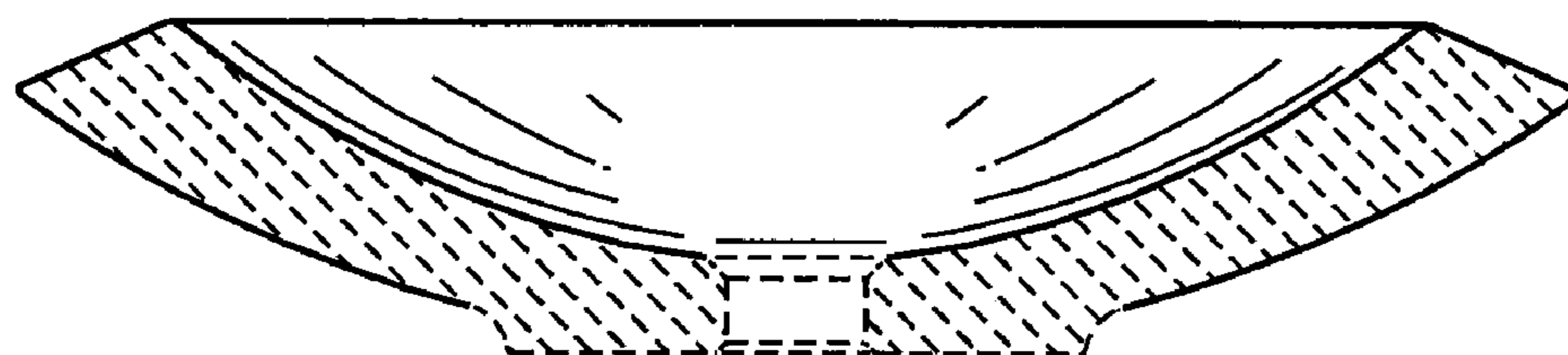


FIG. 6

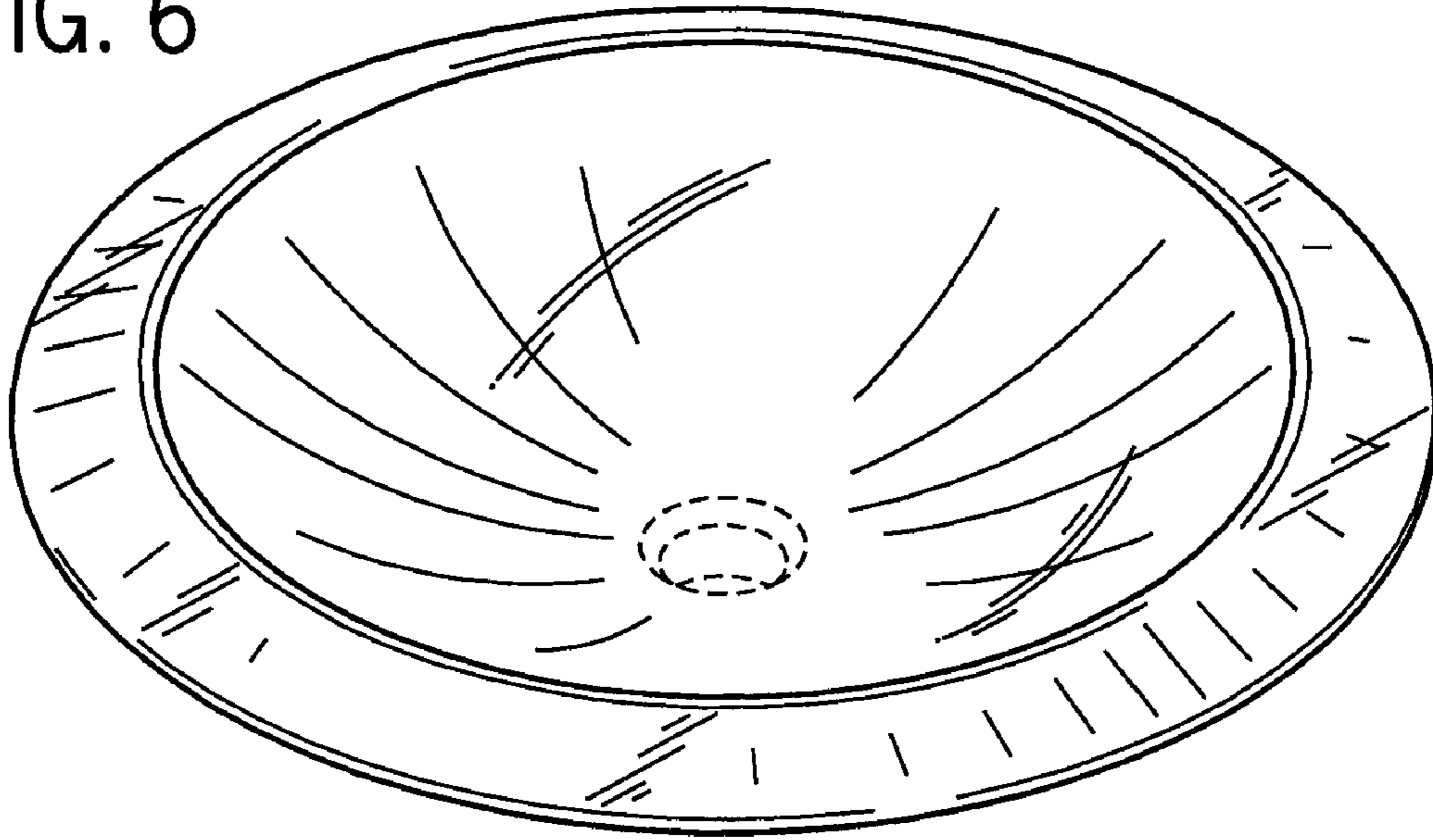


FIG. 7

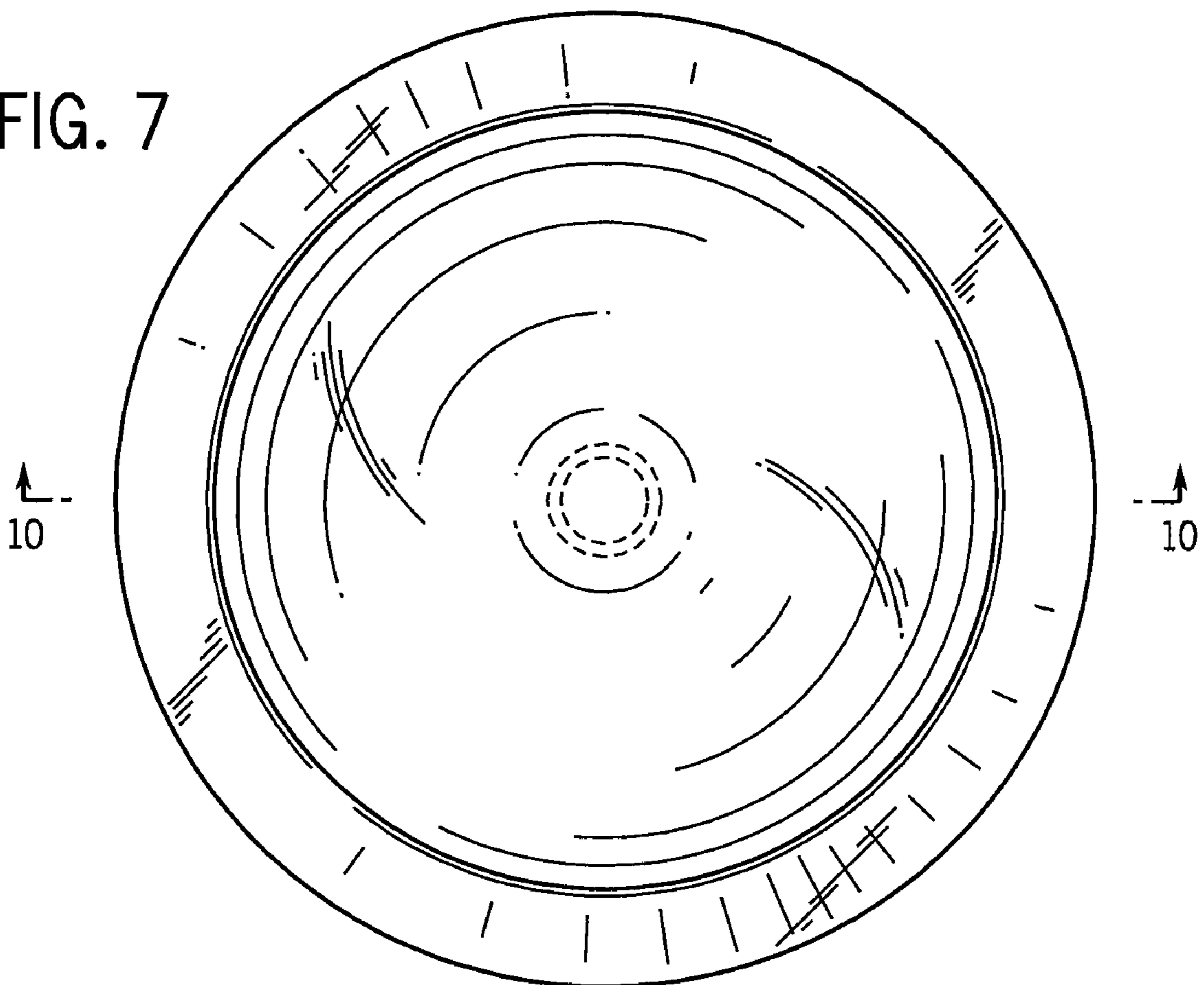


FIG. 8

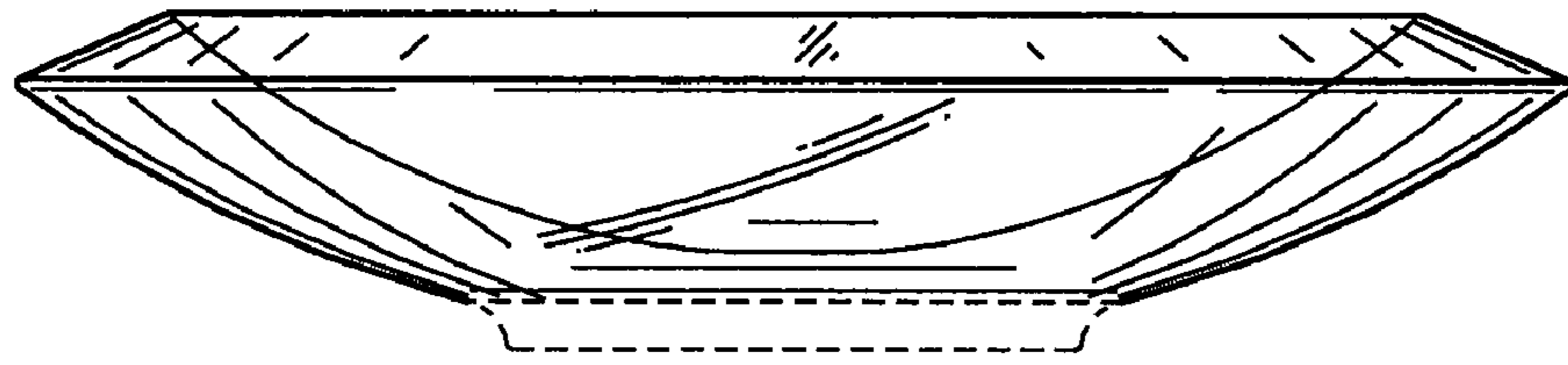


FIG. 9

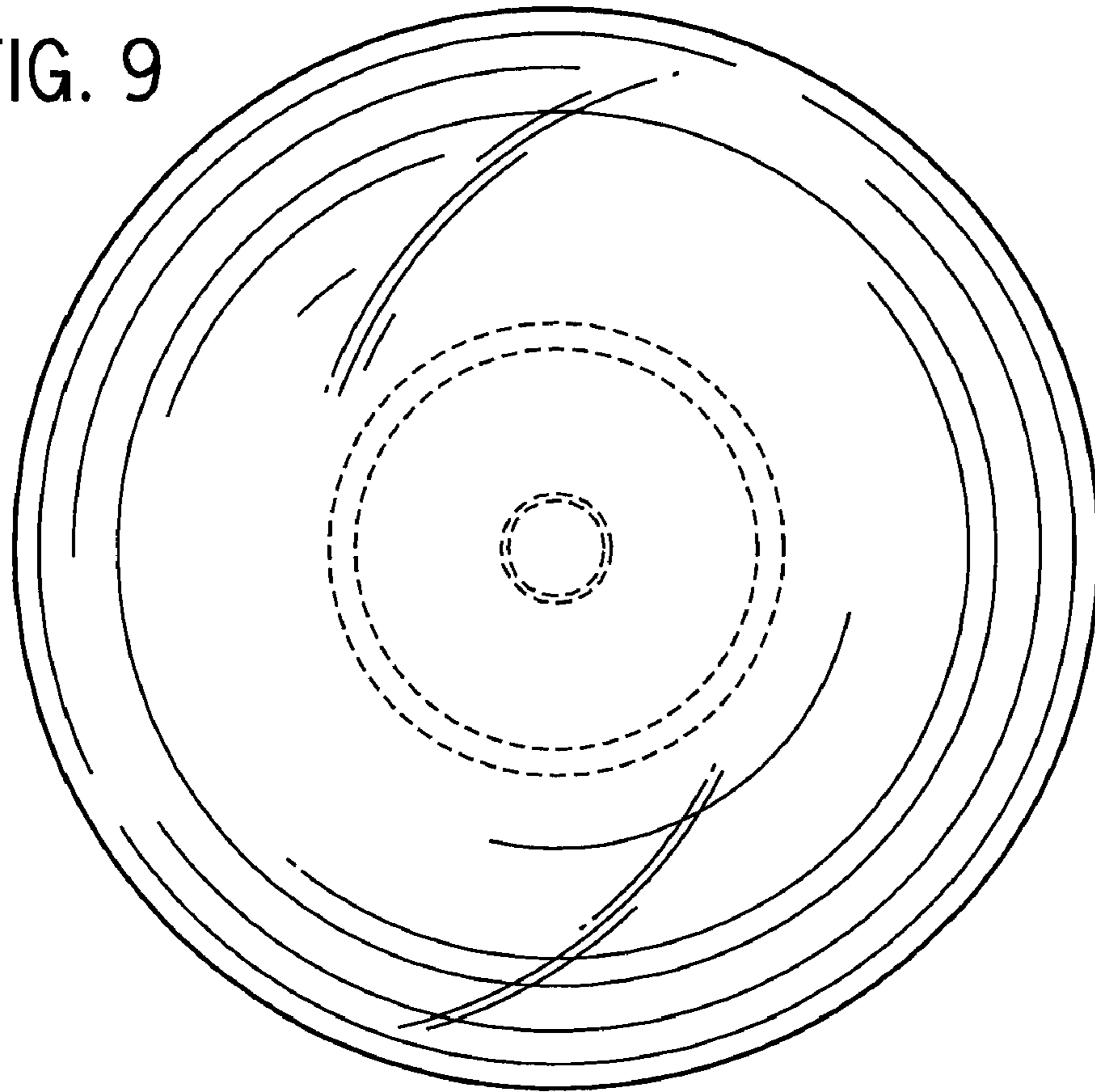


FIG. 10

