



US00D588246S

(12) **United States Design Patent**
Eilmus et al.

(10) **Patent No.:** **US D588,246 S**
(45) **Date of Patent:** **** Mar. 10, 2009**

(54) **SINK**

(75) Inventors: **Niels J. Eilmus**, Sheboygan, WI (US);
Terrence K. Mahon, Whitefish Bay, WI (US)

(73) Assignee: **Kohler Co.**, Kohler, WI (US)

(**) Term: **14 Years**

(21) Appl. No.: **29/304,502**

(22) Filed: **Mar. 3, 2008**

(51) **LOC (9) Cl.** **23-02**

(52) **U.S. Cl.** **D23/293.1**

(58) **Field of Classification Search** D23/271-274,
D23/284, 287, 291-293.1, 303, 308, 290;
4/630, 631, 637, 638, 661, 639-642, 619,
4/663-664

See application file for complete search history.

(56) **References Cited**

U.S. PATENT DOCUMENTS

D505,188 S * 5/2005 Bayer D23/293.1
D508,555 S * 8/2005 Ziemann D23/293.1
D541,912 S * 5/2007 Ziemann D23/293.1

OTHER PUBLICATIONS

Kohler Co. Fountainhead receptor, 60"×34", Model No. K-1786-R.
Kohler Co. online catalog. Copyright 2007 Kohler Co.

Blanco "Granite Kitchen Sink". Model No. 511-652. FaucetDirect online catalog. Copyright 2000-2007 Improvements Direct, Inc.

Kohler Co. "Poise single-basin undercounter kitchen sink". Model No. K-3158. Kohler Co. online catalog. Copyright 2007 Kohler Co.

* cited by examiner

Primary Examiner—Robert A Delehanty

(74) *Attorney, Agent, or Firm*—Quarles & Brady LLP

(57) **CLAIM**

The ornamental design for a sink, as shown and described.

DESCRIPTION

In a preferred embodiment, the nature of this product is as a sink plumbing fixture primarily useful for washing various objects.

FIG. 1 is a top, right, front perspective view of a sink according to our new design;

FIG. 2 is a top plan view thereof;

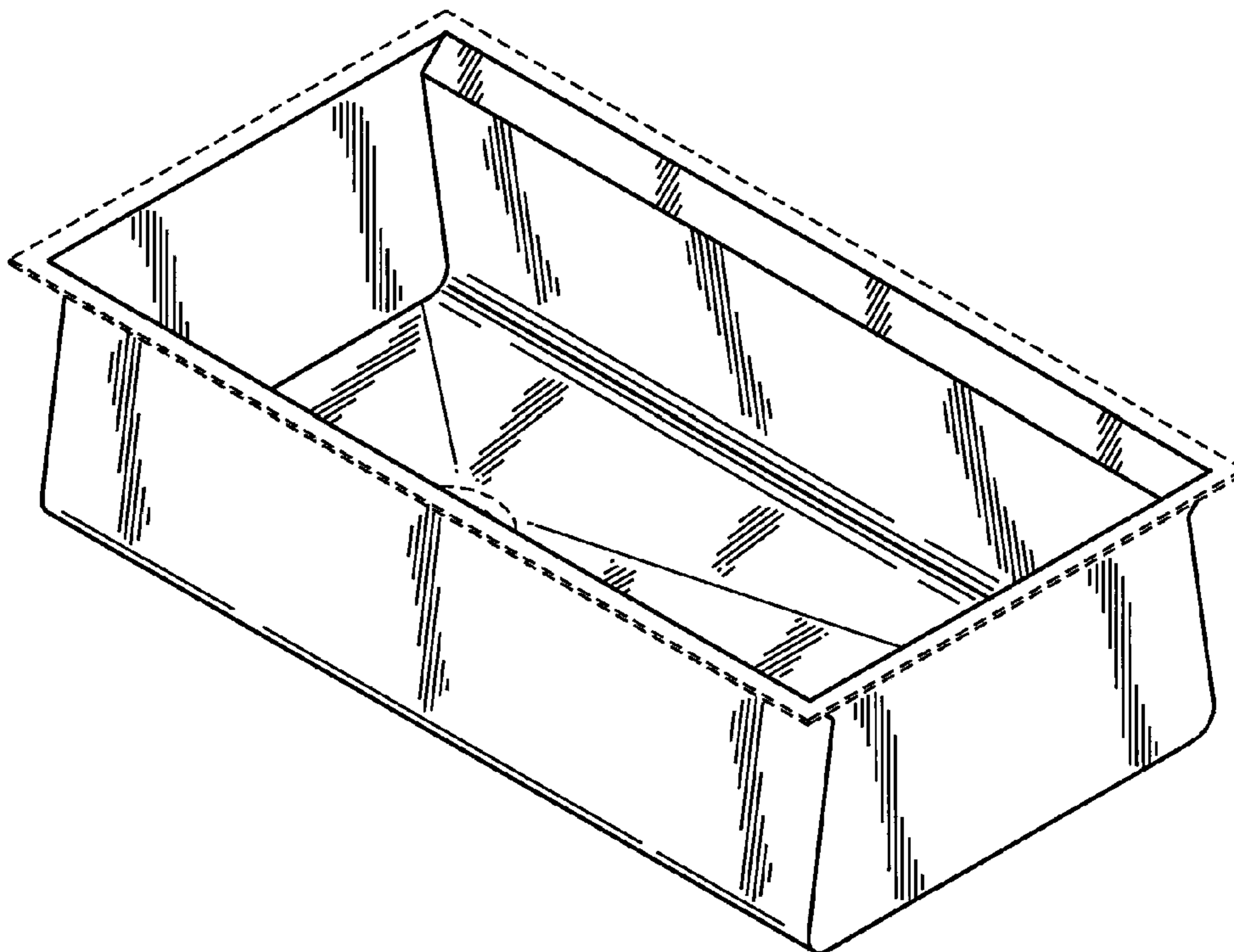
FIG. 3 is a front elevational view thereof, the rear elevational view thereof being a mirror image of the front shown;

FIG. 4 is a right side elevational view thereof, the left side elevational view thereof being a mirror image of the right side shown; and,

FIG. 5 is a bottom plan view thereof.

The broken line representations in the figures are for the purpose of illustration only, and form no part of the claimed design.

1 Claim, 3 Drawing Sheets



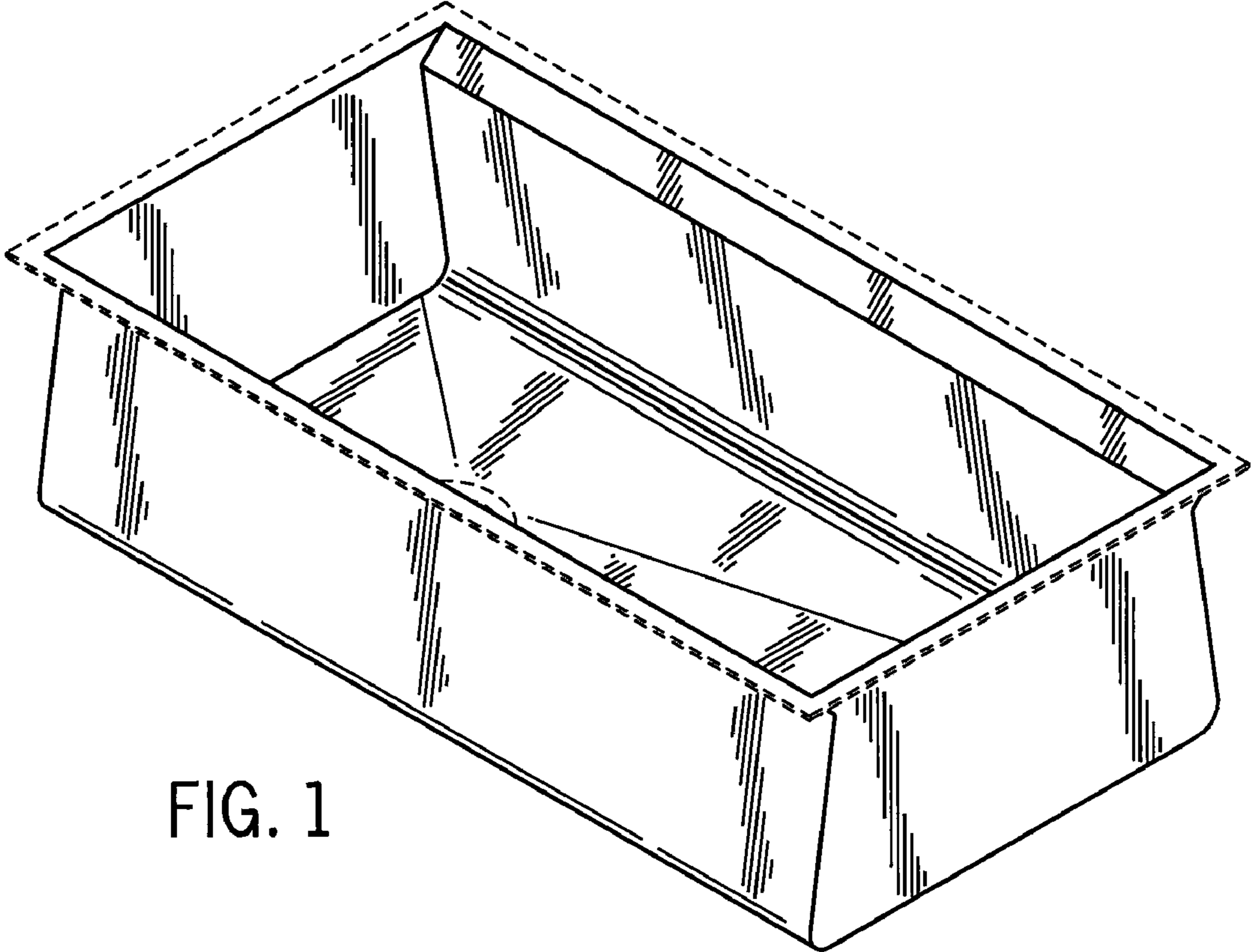


FIG. 1

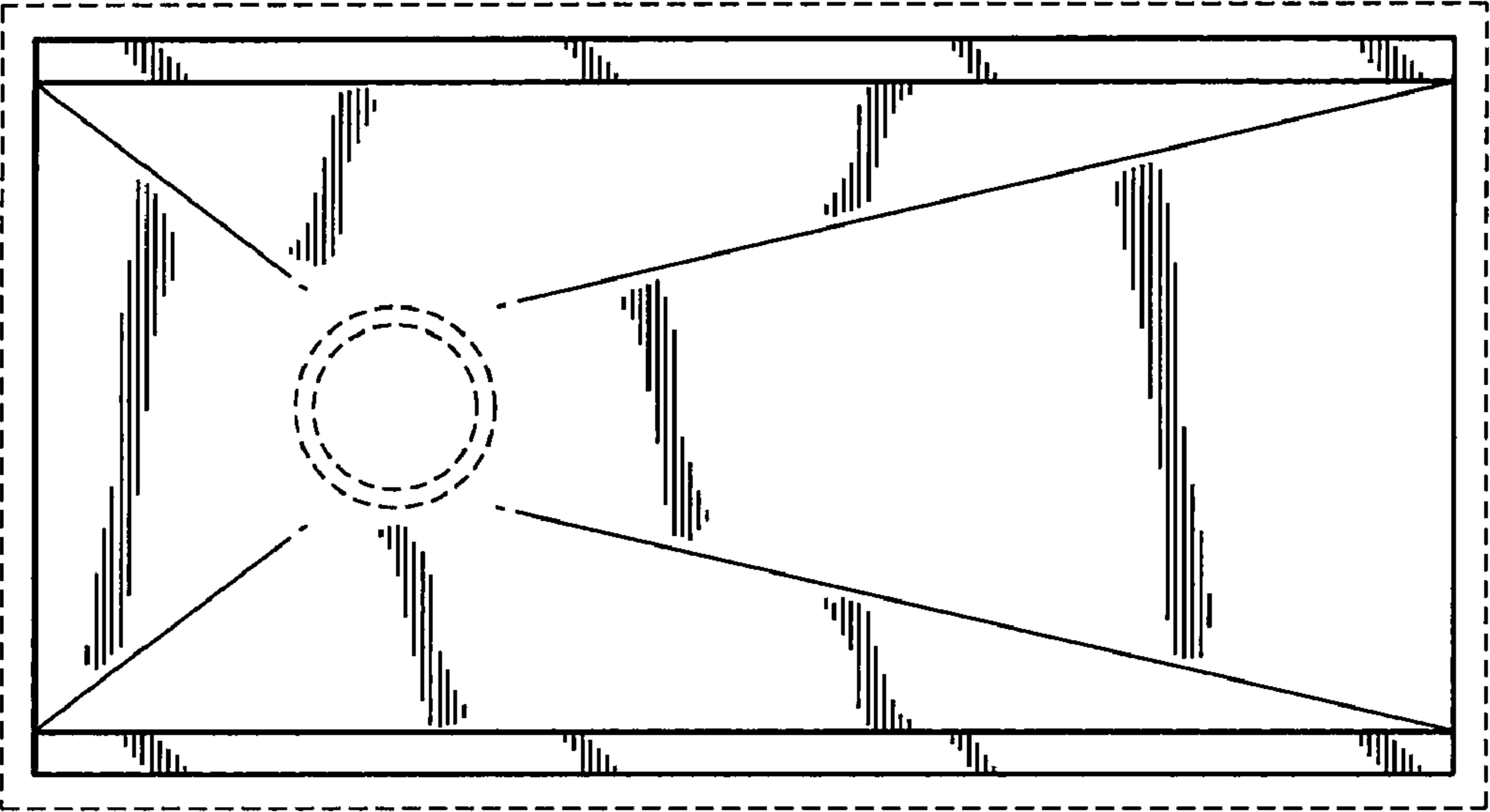


FIG. 2

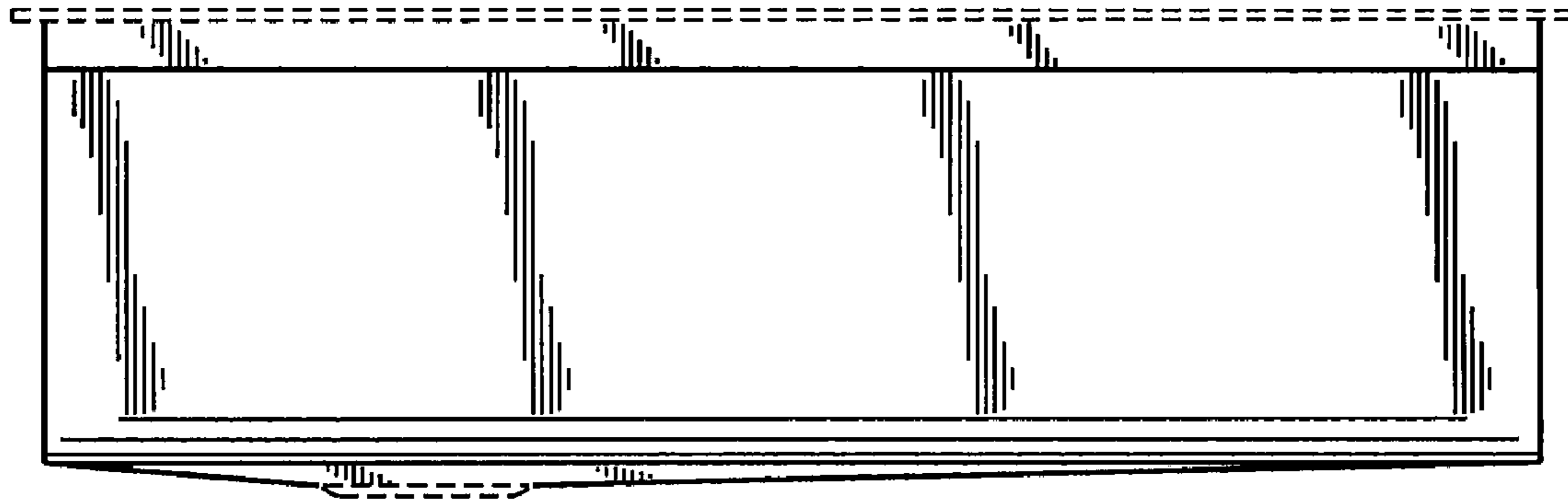


FIG. 3

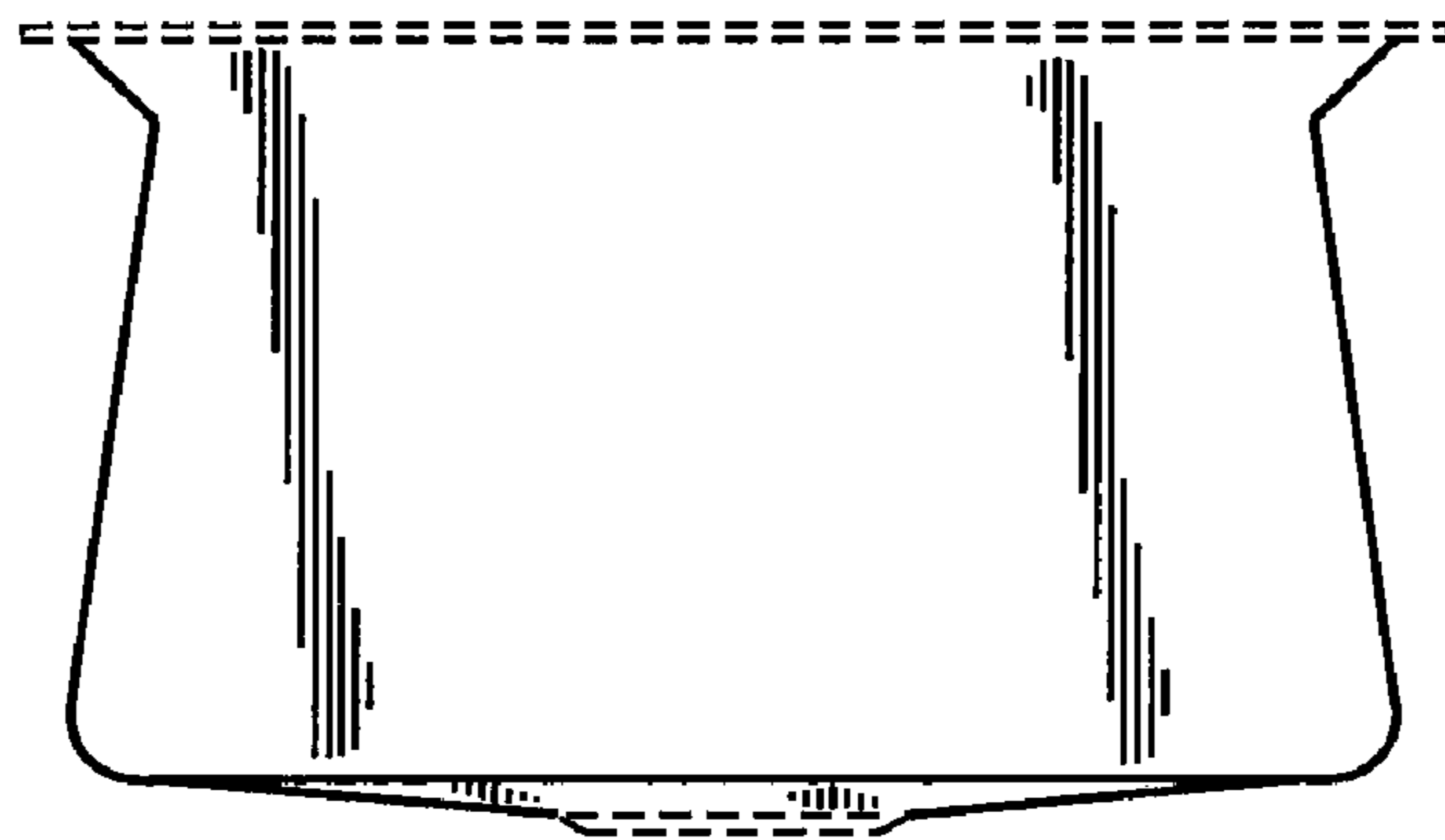


FIG. 4

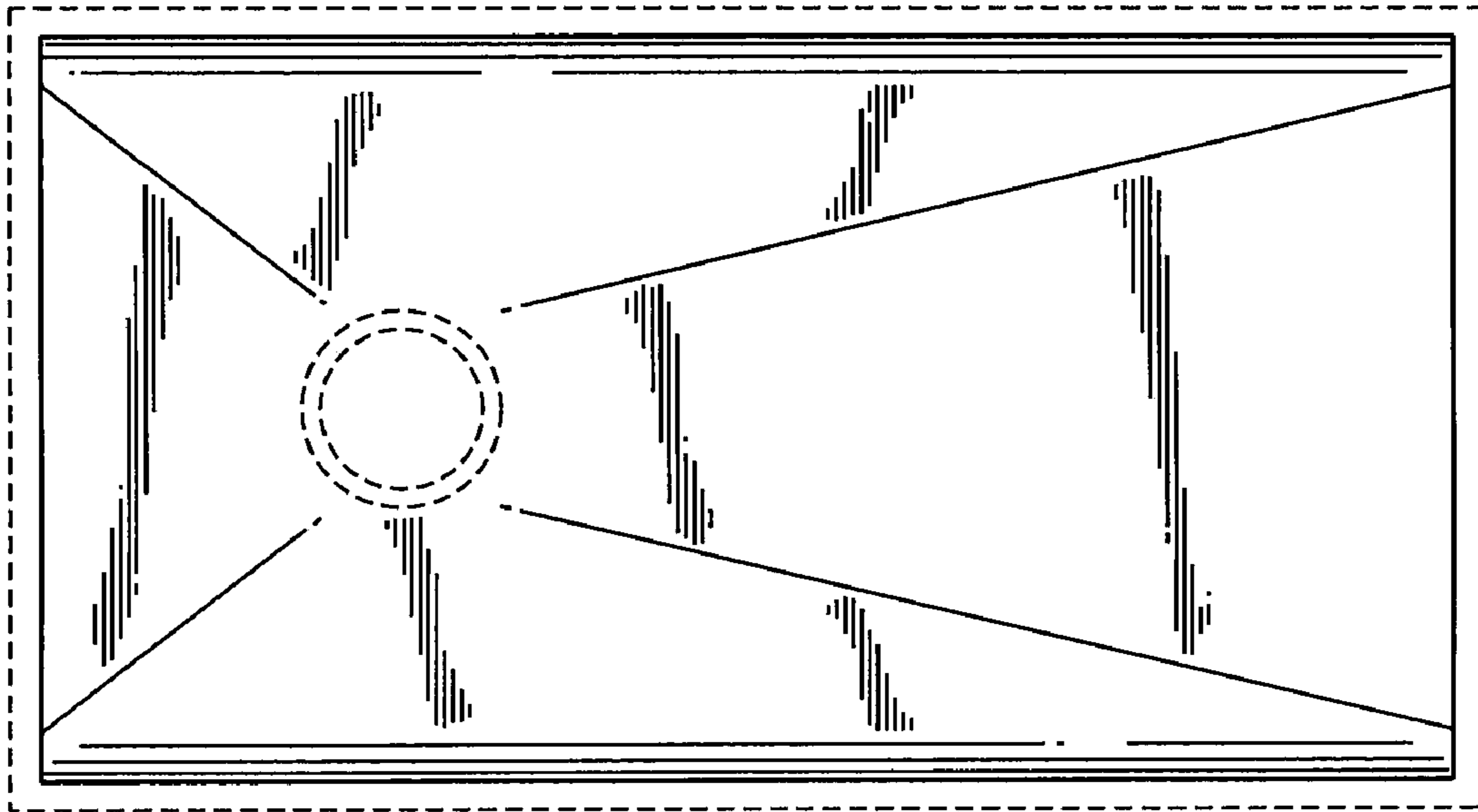


FIG. 5