



US00D588245S

(12) **United States Design Patent**  
**Kohler, Jr. et al.**

(10) **Patent No.:** **US D588,245 S**

(45) **Date of Patent:** **\*\* Mar. 10, 2009**

(54) **LAVATORY**

(75) Inventors: **Herbert V. Kohler, Jr.**, Kohler, WI (US);  
**Carl S. Allen**, Milwaukee, WI (US)

(73) Assignee: **Kohler Co.**, Kohler, WI (US)

(\*\*) Term: **14 Years**

(21) Appl. No.: **29/303,374**

(22) Filed: **Feb. 7, 2008**

(51) **LOC (9) Cl.** ..... **23-02**

(52) **U.S. Cl.** ..... **D23/293.1; D23/287**

(58) **Field of Classification Search** ..... D23/271–274,  
D23/284–293.1, 303, 308; 4/619, 624, 660  
See application file for complete search history.

(56) **References Cited**

**U.S. PATENT DOCUMENTS**

D191,391 S *	9/1961	Phillips, Jr.	.....	D23/293.1
D507,043 S *	7/2005	Ferrer Beltran	.....	D23/293.1
D507,334 S *	7/2005	Ferrer Beltran	.....	D23/293.1
D510,132 S *	9/2005	Piatt	.....	D23/293.1
D545,412 S *	6/2007	Lin et al.	.....	D23/293.1
D560,784 S *	1/2008	Marshall et al.	.....	D23/293.1

**OTHER PUBLICATIONS**

Bulthaupt GmbH & Co. Sink. Application No. M 96 06 520. Application date Jul. 26, 1996.  
Kohler Co. "Ledges Undercounter Lavatory". Model No. K-2838. Copyright 2007 Kohler Co.

Atelier Design Group. "Cuadro Collection". HomePortfolio.com online catalog. Copyright 1997-2007 HomePortfolio Inc.

\* cited by examiner

*Primary Examiner*—Robert A Delehanty

(74) *Attorney, Agent, or Firm*—Quarles & Brady LLP

(57) **CLAIM**

The ornamental design for a lavatory, as shown and described.

**DESCRIPTION**

In a preferred embodiment, the nature of this product is as a plumbing fixture in the form of a lavatory which is primarily useful for washing various items and the body parts of humans.

FIG. 1 is a right, left, front perspective view of a lavatory embodying our new design;

FIG. 2 is a top plan view thereof;

FIG. 3 is a front elevational view thereof;

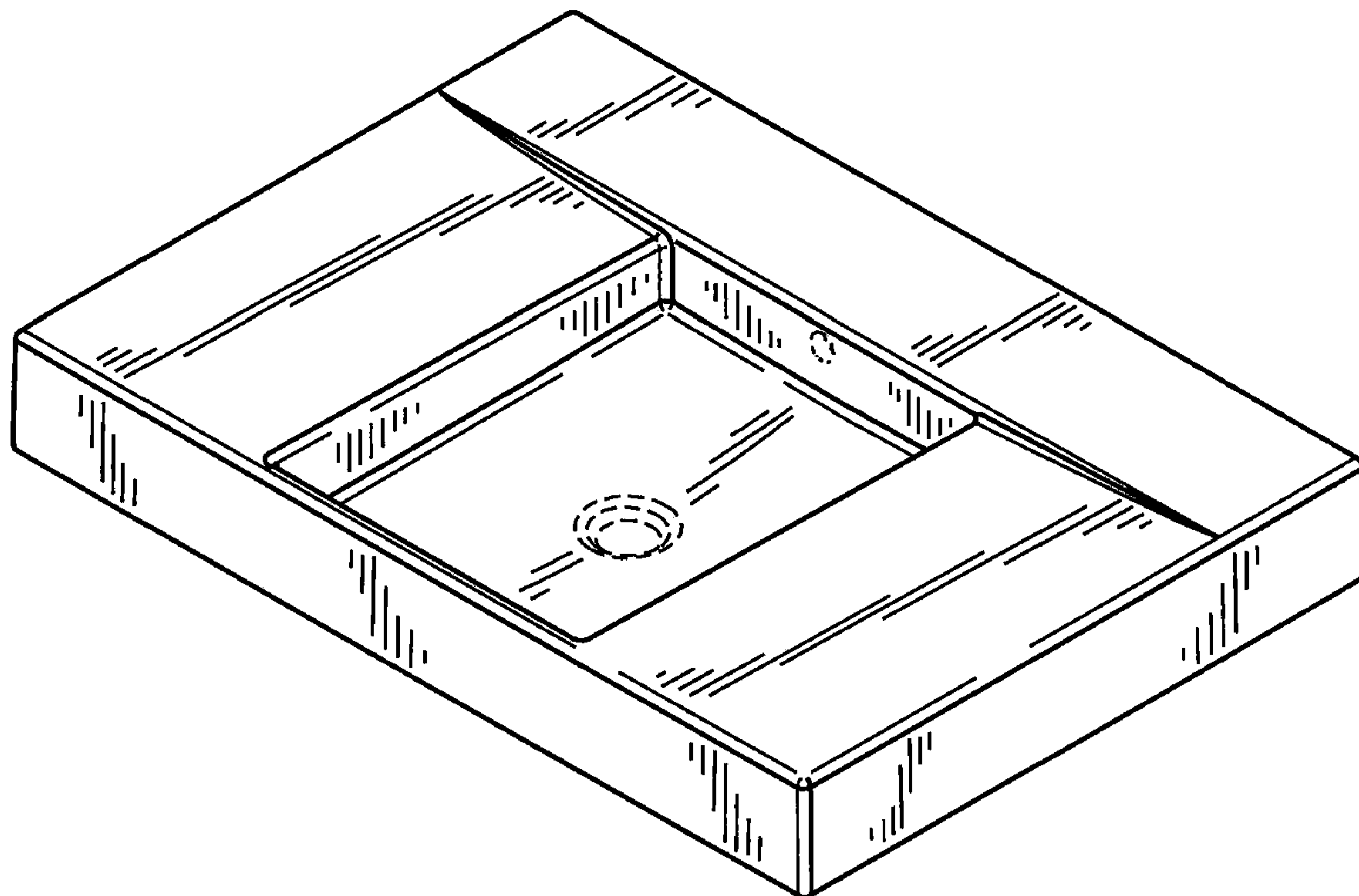
FIG. 4 is a right side elevational view thereof, the left side elevational view thereof being a mirror image of the right side shown;

FIG. 5 is a rear elevational view thereof; and,

FIG. 6 is a bottom plan view thereof.

The broken line representations in the figures are for the purpose of illustration only, and form no part of the claimed design.

**1 Claim, 3 Drawing Sheets**



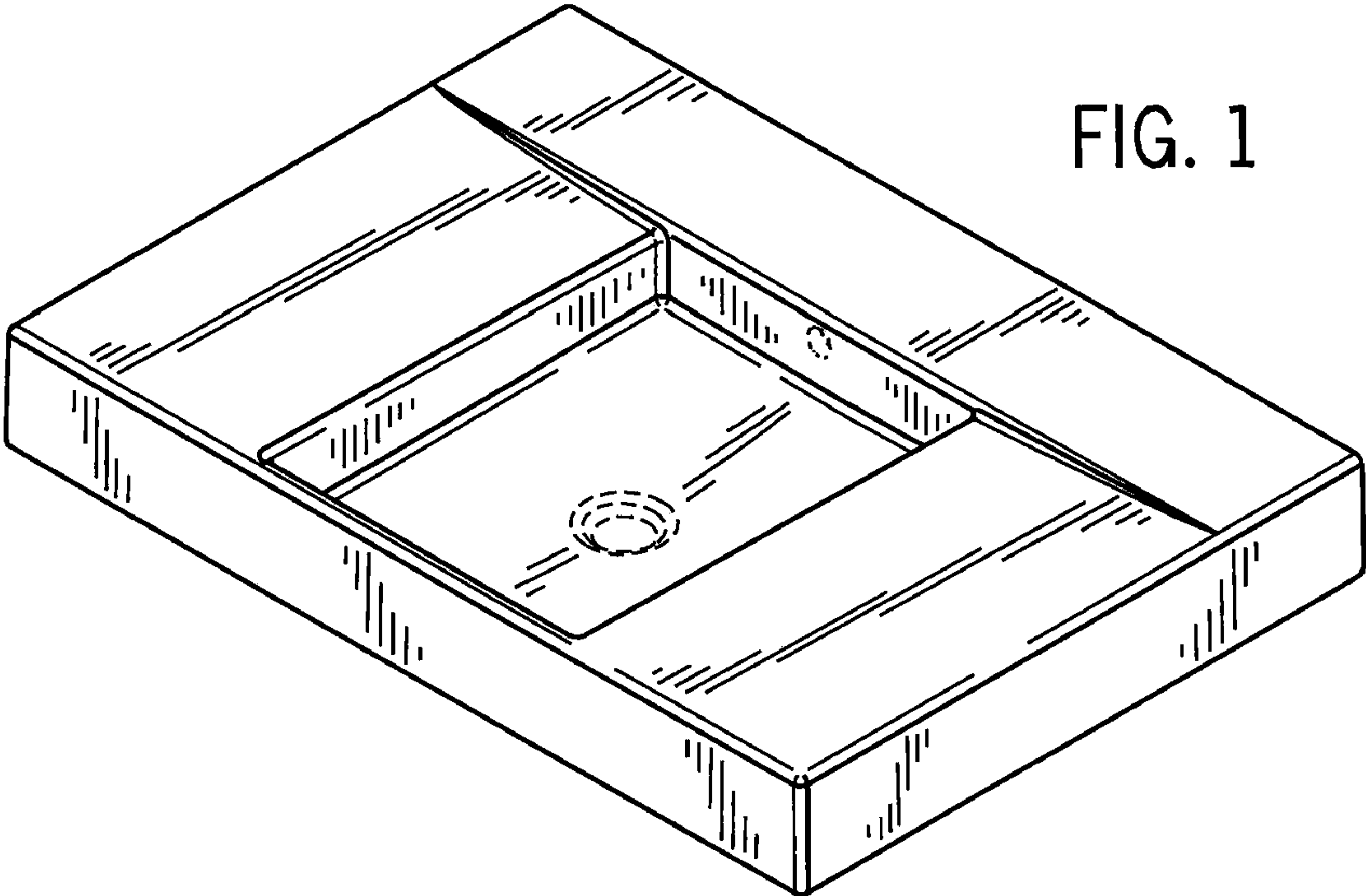


FIG. 1

FIG. 2

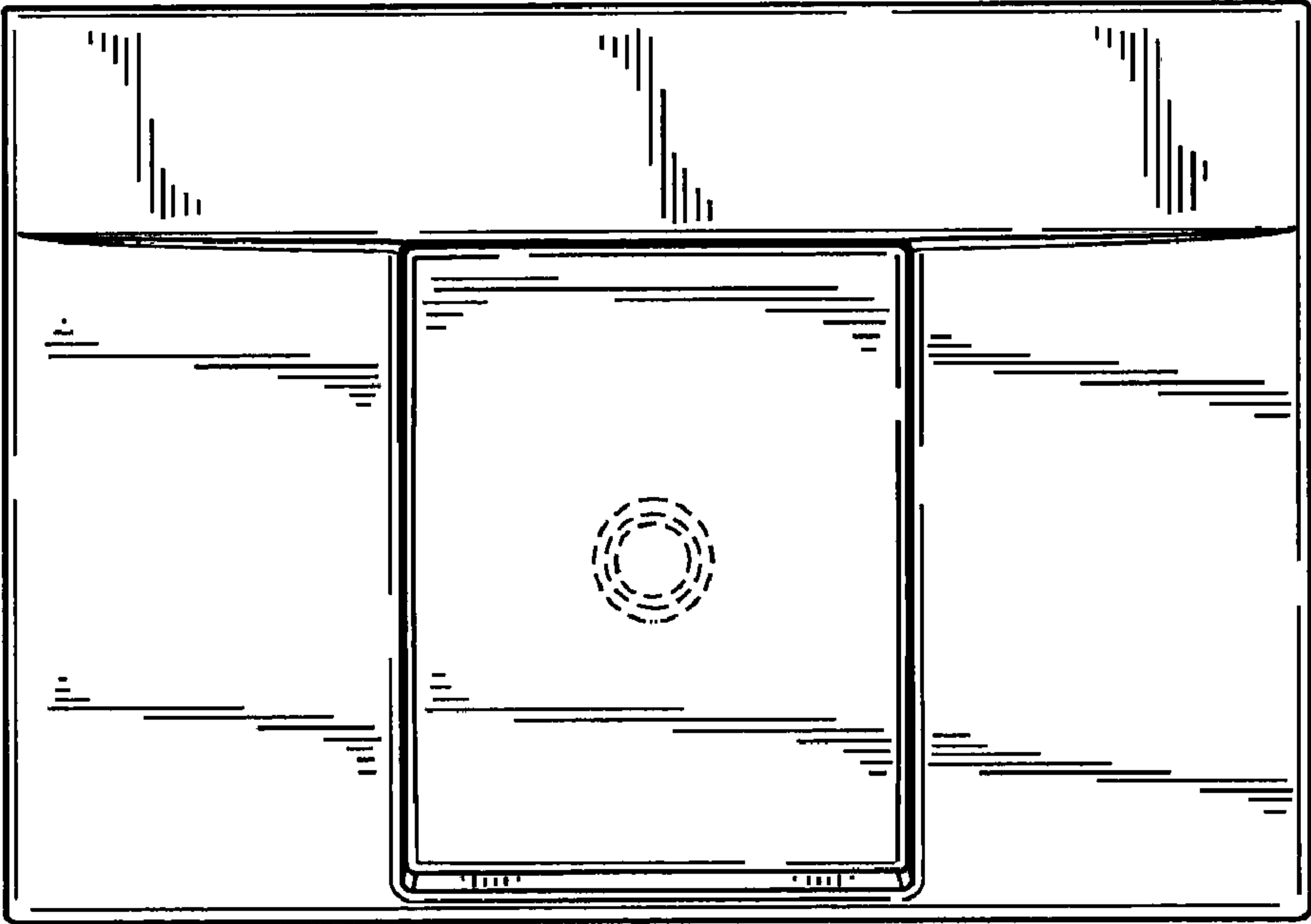




FIG. 3

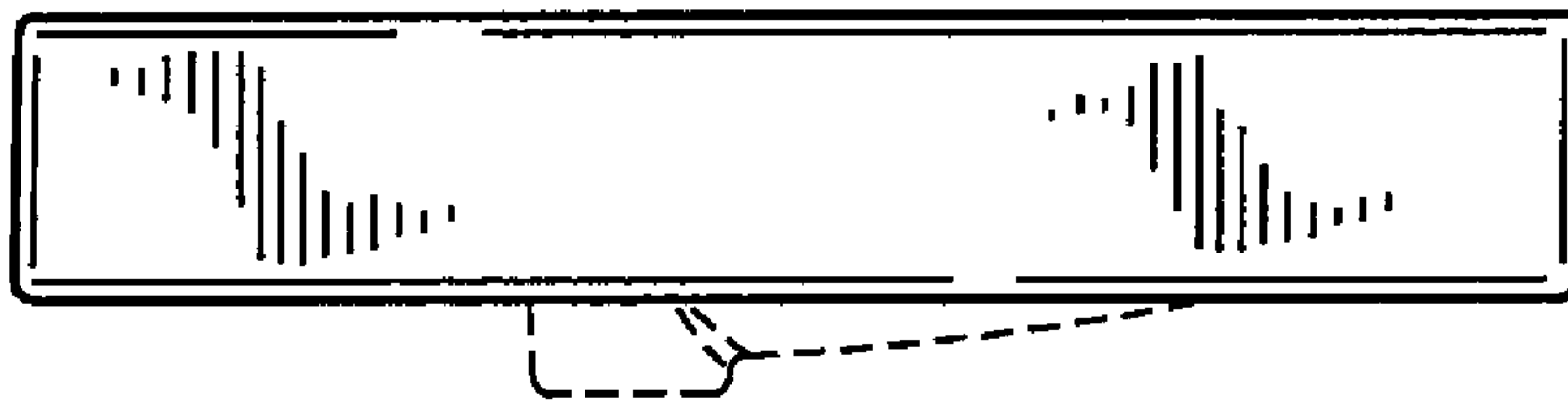


FIG. 4



FIG. 5

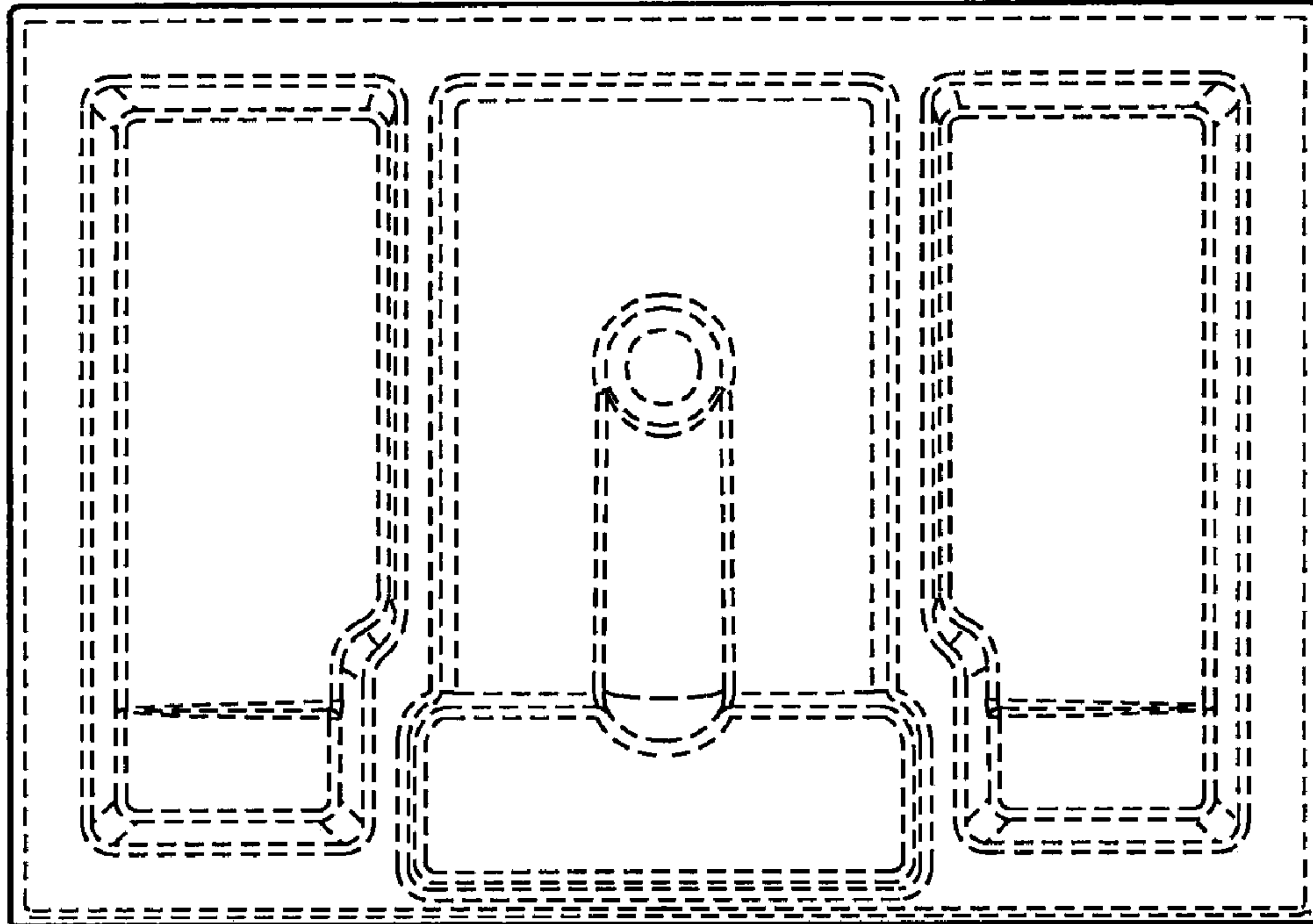


FIG. 6