



US00D588243S

(12) **United States Design Patent**
Aykens et al.

(10) **Patent No.:** **US D588,243 S**
(45) **Date of Patent:** **** Mar. 10, 2009**

(54) **SINK**

(75) Inventors: **Steven Robert Aykens**, Sheboygan Falls, WI (US); **Shawn J. Booth**, Sheboygan, WI (US)

(73) Assignee: **Kohler Co.**, Kohler, WI (US)

(**) Term: **14 Years**

(21) Appl. No.: **29/303,503**

(22) Filed: **Feb. 11, 2008**

(51) **LOC (9) Cl.** **23-02**

(52) **U.S. Cl.** **D23/287**

(58) **Field of Classification Search** D23/271-274,
D23/284-293.1, 303, 308; 4/619, 624, 660,
4/637

See application file for complete search history.

(56) **References Cited**

U.S. PATENT DOCUMENTS

1,660,958	A *	2/1928	Gloekler	4/637
1,908,332	A	5/1933	Eichelman et al.		
1,963,405	A	6/1934	Eichelman et al.		
2,140,978	A	12/1938	Beeby		
D179,931	S	3/1957	Culver		
D397,213	S *	8/1998	Bonnell	D23/290
D492,397	S *	6/2004	Bayer	D23/293.1
D494,257	S	8/2004	Moran et al.		

OTHER PUBLICATIONS

Native Trails. "Rio Grande". NativeTrails.net online catalog. Copyright 2006 Native Trails, Inc.

Native Trails. "Rio Chico". NativeTrails.net online catalog. Copyright 2006 Native Trails, Inc.

Kohler Co. "Bordelaise Kitchen Sink". Model No. K-6493. Kohler.com online catalog. Copyright 2007 Kohler Co.

Kohler Co. "Undertone Undercounter Kitchen Sink". Kohler.com online catalog. Copyright 2007 Kohler Co.

* cited by examiner

Primary Examiner—Robert A Delehanty

(74) *Attorney, Agent, or Firm*—Quarles & Brady LLP

(57) **CLAIM**

The ornamental design for a sink, as shown and described.

DESCRIPTION

In a preferred embodiment, the nature of this product is as a plumbing fixture primarily useful for food preparation.

FIG. 1 is a left, top, front perspective view of a sink according to our new design;

FIG. 2 is a front elevational view thereof, the rear elevational view thereof being a mirror image of the front shown;

FIG. 3 is a left side elevational view thereof;

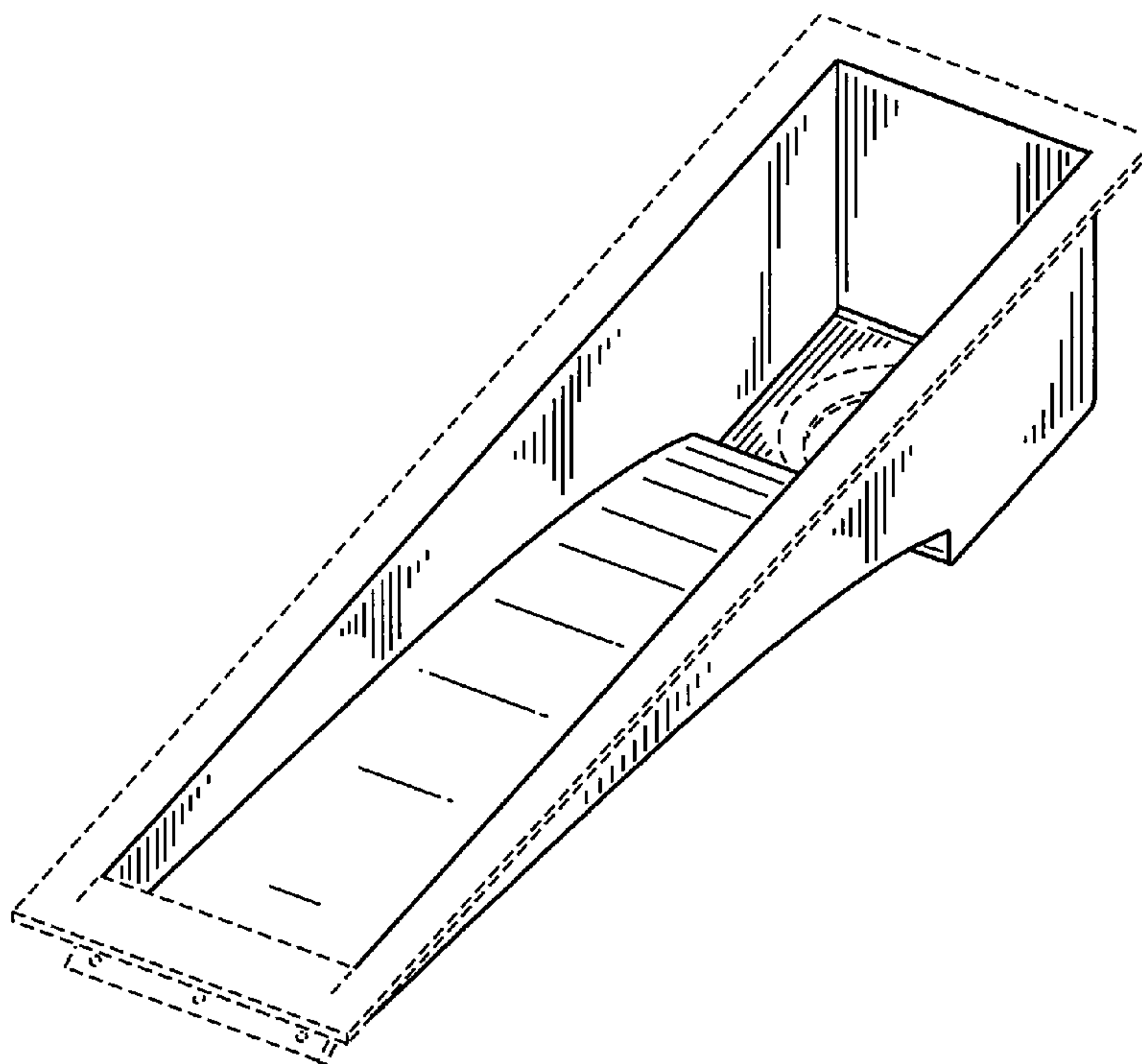
FIG. 4 is a right side elevational view thereof;

FIG. 5 is a top plan view thereof; and,

FIG. 6 is a bottom plan view thereof.

The broken line representations in the figures are for the purpose of illustration only, and form no part of the claimed design.

1 Claim, 3 Drawing Sheets



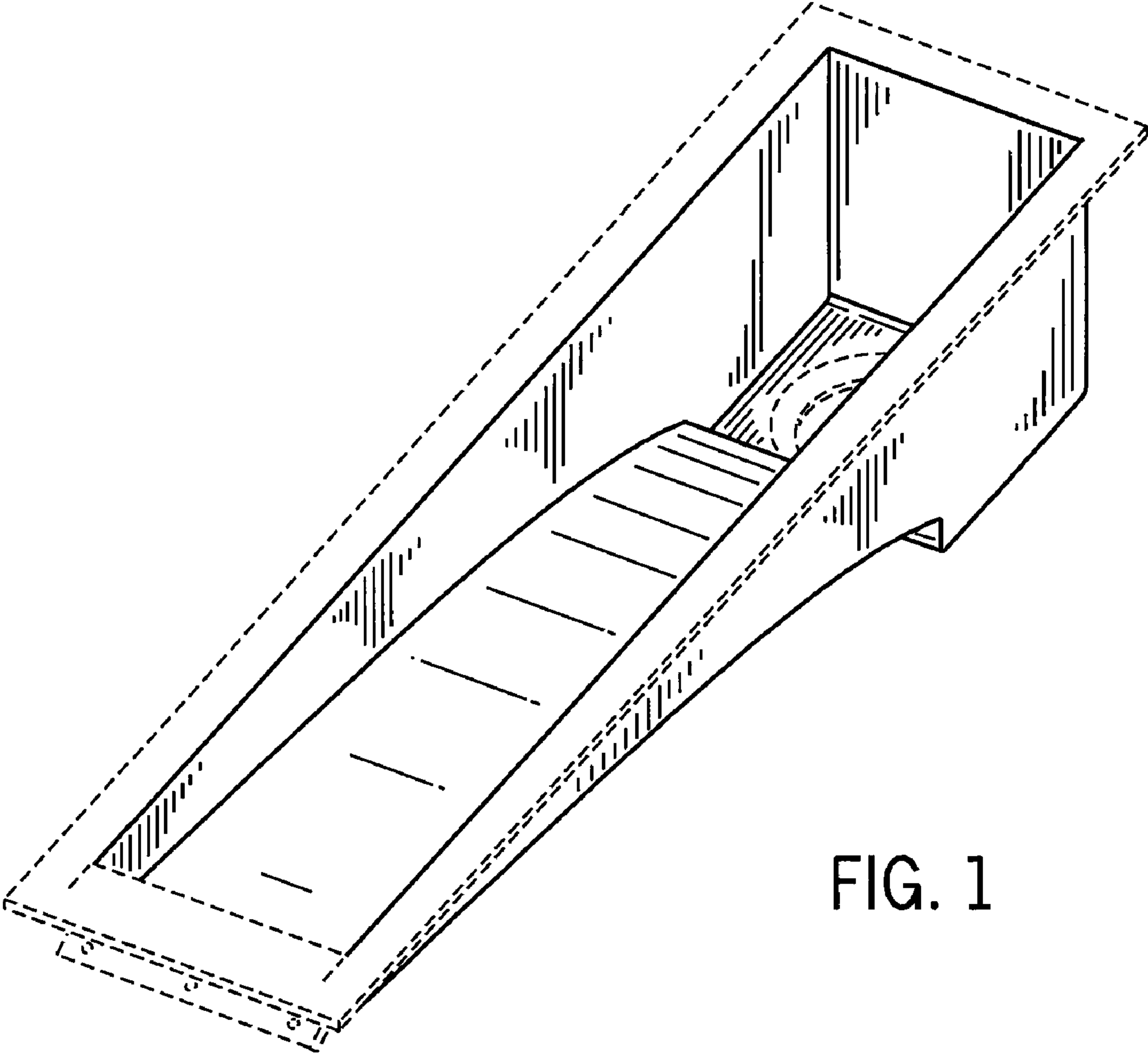


FIG. 1

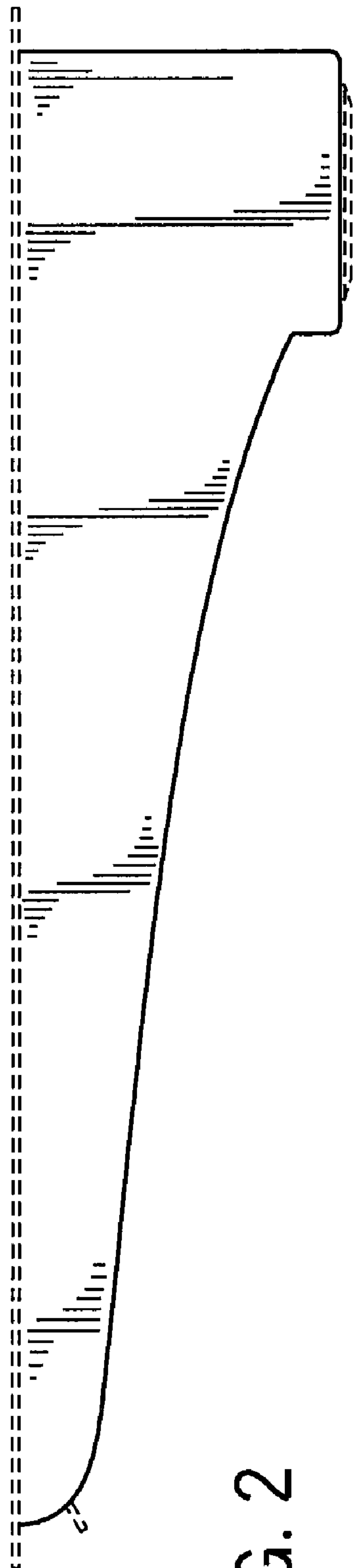


FIG. 2

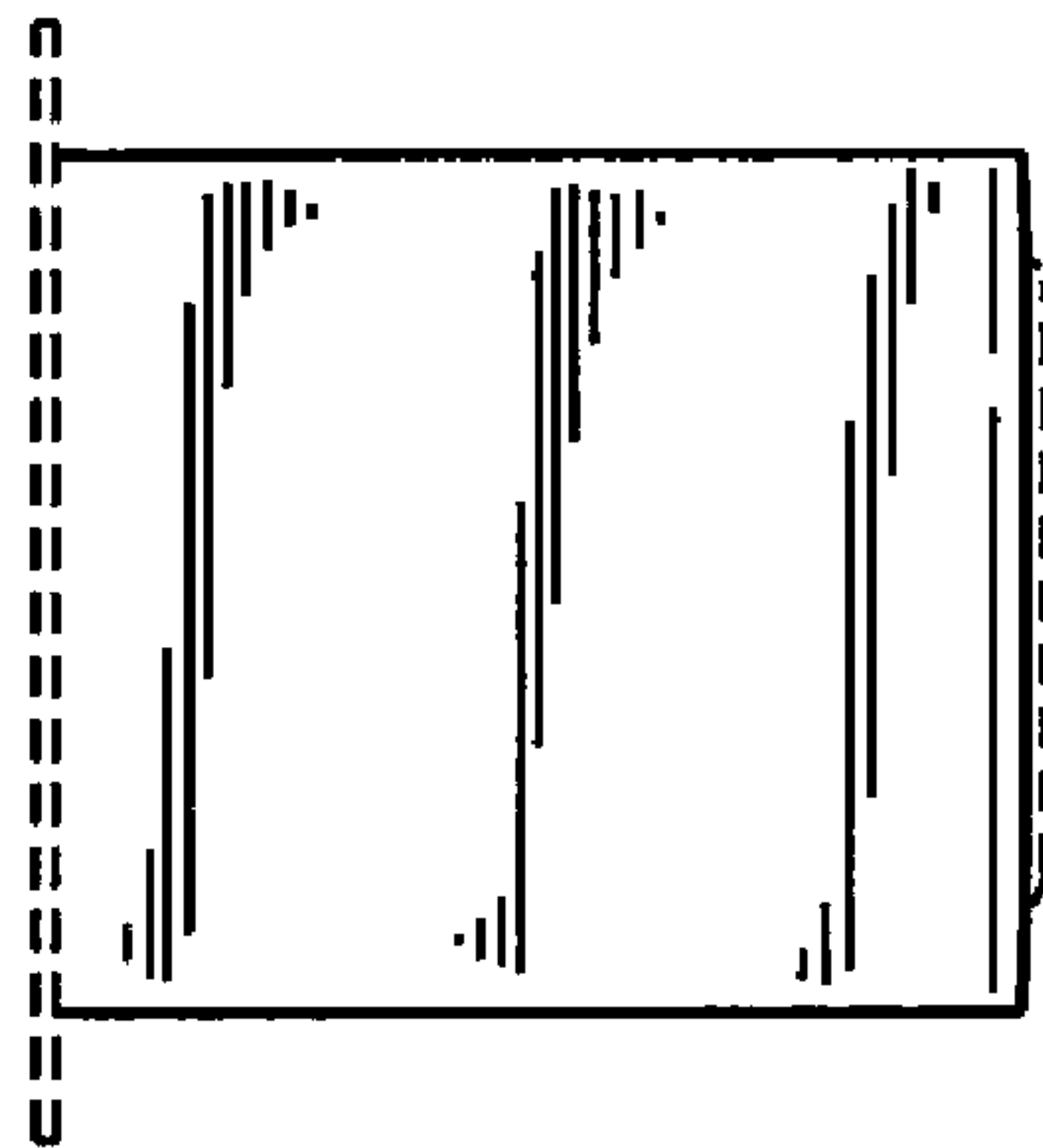


FIG. 4

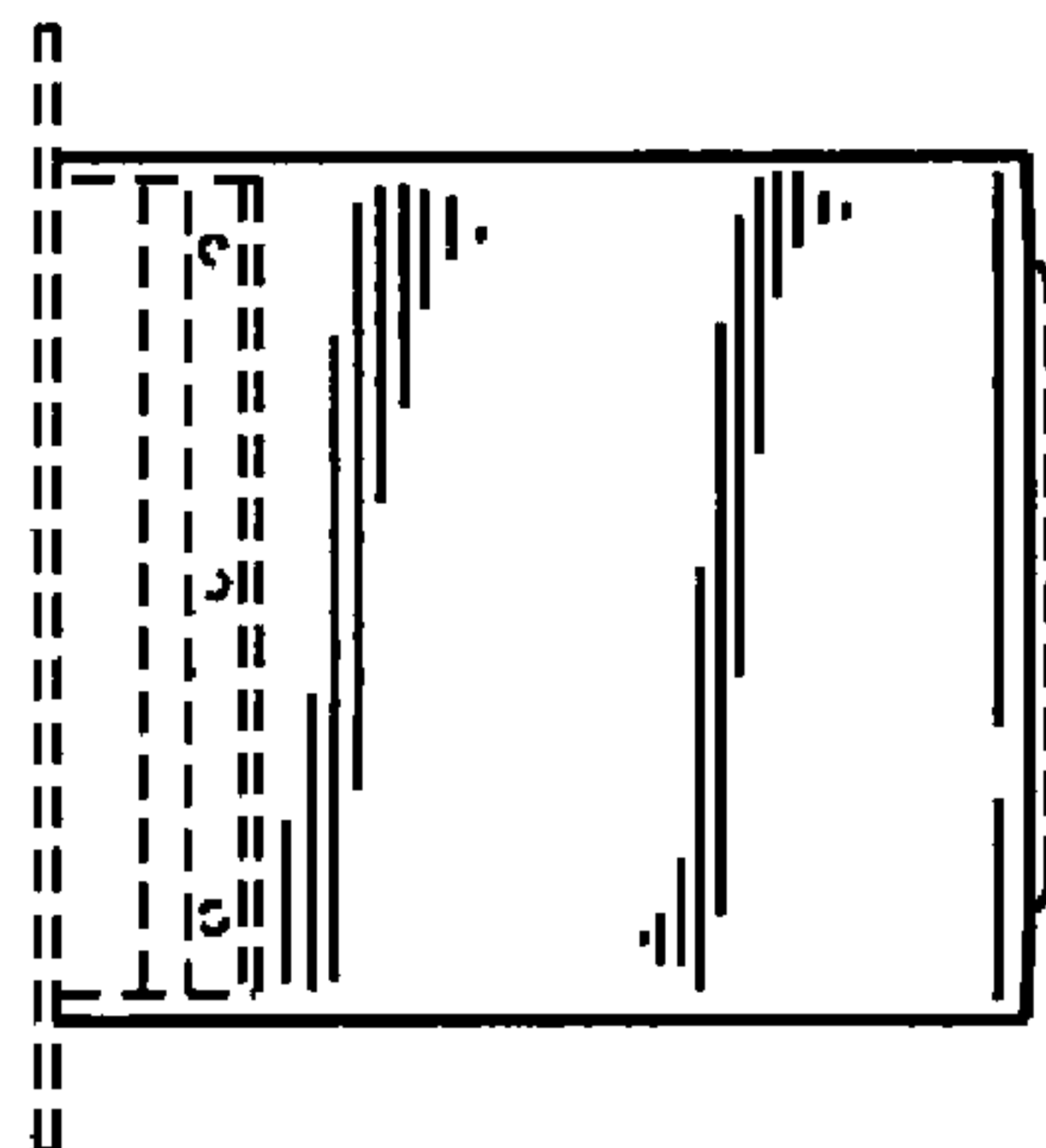


FIG. 3

FIG. 5

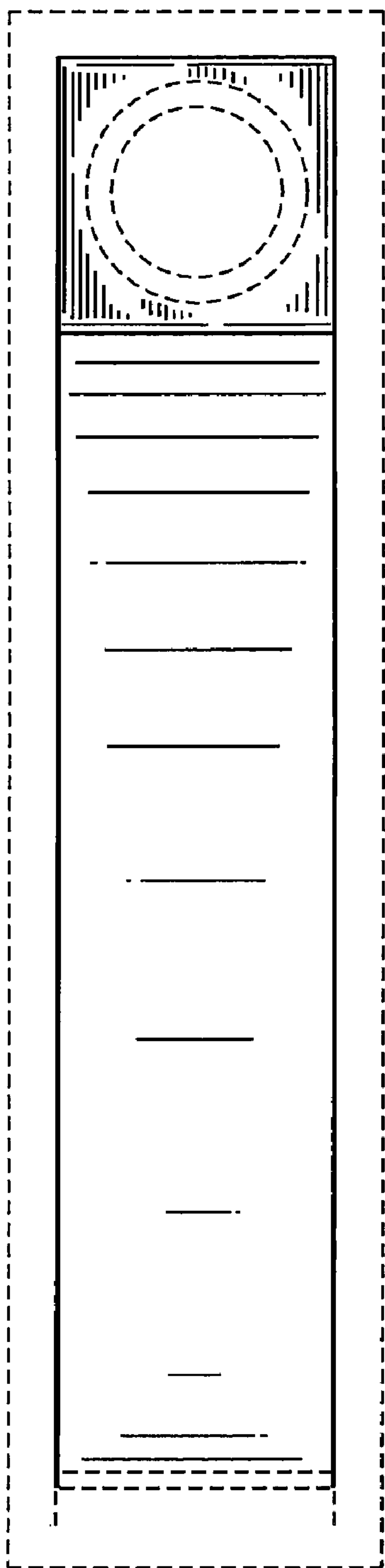


FIG. 6

