



US00D588233S

(12) **United States Design Patent**
Zetsche et al.

(10) **Patent No.:** **US D588,233 S**
(45) **Date of Patent:** **** Mar. 10, 2009**

(54) **MIXING FAUCET**

(75) Inventors: **Reinhard Zetsche**, Munich (DE);
Bruno Sacco, Munich (DE)

(73) Assignee: **Hansa Metallwerke AG**, Stuttgart (DE)

(**) Term: **14 Years**

(21) Appl. No.: **29/288,456**

(22) Filed: **Jun. 12, 2007**

(30) **Foreign Application Priority Data**

Dec. 15, 2006 (EM) 000637699-0002

(51) **LOC (9) Cl.** **23-02**

(52) **U.S. Cl.** **D23/238**

(58) **Field of Classification Search** D23/200,
D23/238-257; D6/512, 546, 550; D8/300,
D8/307-308, 310-312, 321; 4/675-678;
137/801; 16/110.1, 441

See application file for complete search history.

(56) **References Cited**

U.S. PATENT DOCUMENTS

D478,966 S *	8/2003	Citterio	D23/238
D479,581 S *	9/2003	Haug et al.	D23/238
D513,064 S	12/2005	Zetsche		
D514,198 S *	1/2006	Starck	D23/238
D517,651 S *	3/2006	Theberge	D23/238
D525,342 S *	7/2006	Starck	D23/238
D529,582 S	10/2006	Lammel		
D529,583 S	10/2006	Zetsche		
D529,992 S	10/2006	Lammel		
D530,395 S	10/2006	Lammel		
D531,699 S *	11/2006	Haug et al.	D23/238
D533,629 S	12/2006	Lammel		
D533,630 S	12/2006	Zetsche		
D533,631 S	12/2006	Zetsche		
D536,064 S	1/2007	Zetsche		

D536,423 S	2/2007	Zetsche		
D551,323 S *	9/2007	Krumpe et al.	D23/238
D555,770 S *	11/2007	Belisle	D23/238

OTHER PUBLICATIONS

Zetsche, et al., "Sanitary Mixing Faucet", U.S. Appl. No. 29/288,454, filed Jun. 12, 2007.

Zetsche, et al., "Sanitary Mixing Faucet", U.S. Appl. No. 29/288,455, filed Jun. 12, 2007.

Zetsche, et al., "Sanitary Mixing Faucet", U.S. Appl. No. 29/288,459, filed Jun. 12, 2007.

* cited by examiner

Primary Examiner—Robert A. Delehanty

Assistant Examiner—Mark Cavanna

(74) *Attorney, Agent, or Firm*—Factor & Lake, Ltd.

(57) **CLAIM**

The ornamental design for mixing faucet, as shown and described.

DESCRIPTION

FIG. 1 is a perspective view of the mixing faucet, showing a new ornamental design thereof;

FIG. 2 is a left hand view of the mixing faucet shown in FIG. 1;

FIG. 3 is a right hand view of the mixing faucet shown in FIG. 1;

FIG. 4 is front view of the mixing faucet shown in FIG. 1;

FIG. 5 is a rear view of the mixing faucet shown in FIG. 1;

FIG. 6 is a top view of the mixing faucet shown in FIG. 1; and,

FIG. 7 is a bottom view of the mixing faucet shown in FIG. 1.

The broken lines are included for the purpose of illustrating a portion of the mixing faucet that forms no part of the claimed design.

1 Claim, 2 Drawing Sheets

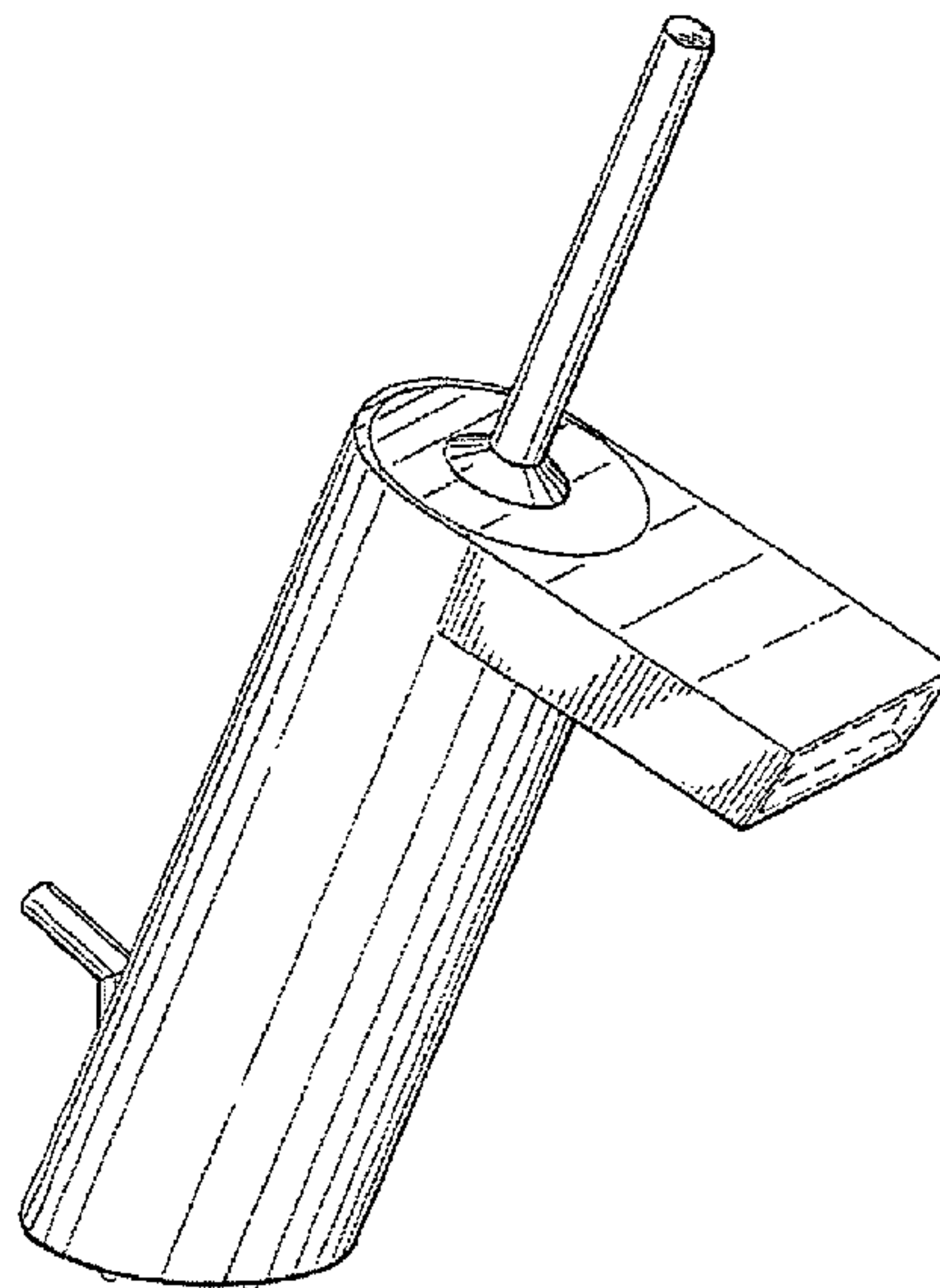


FIG. 1

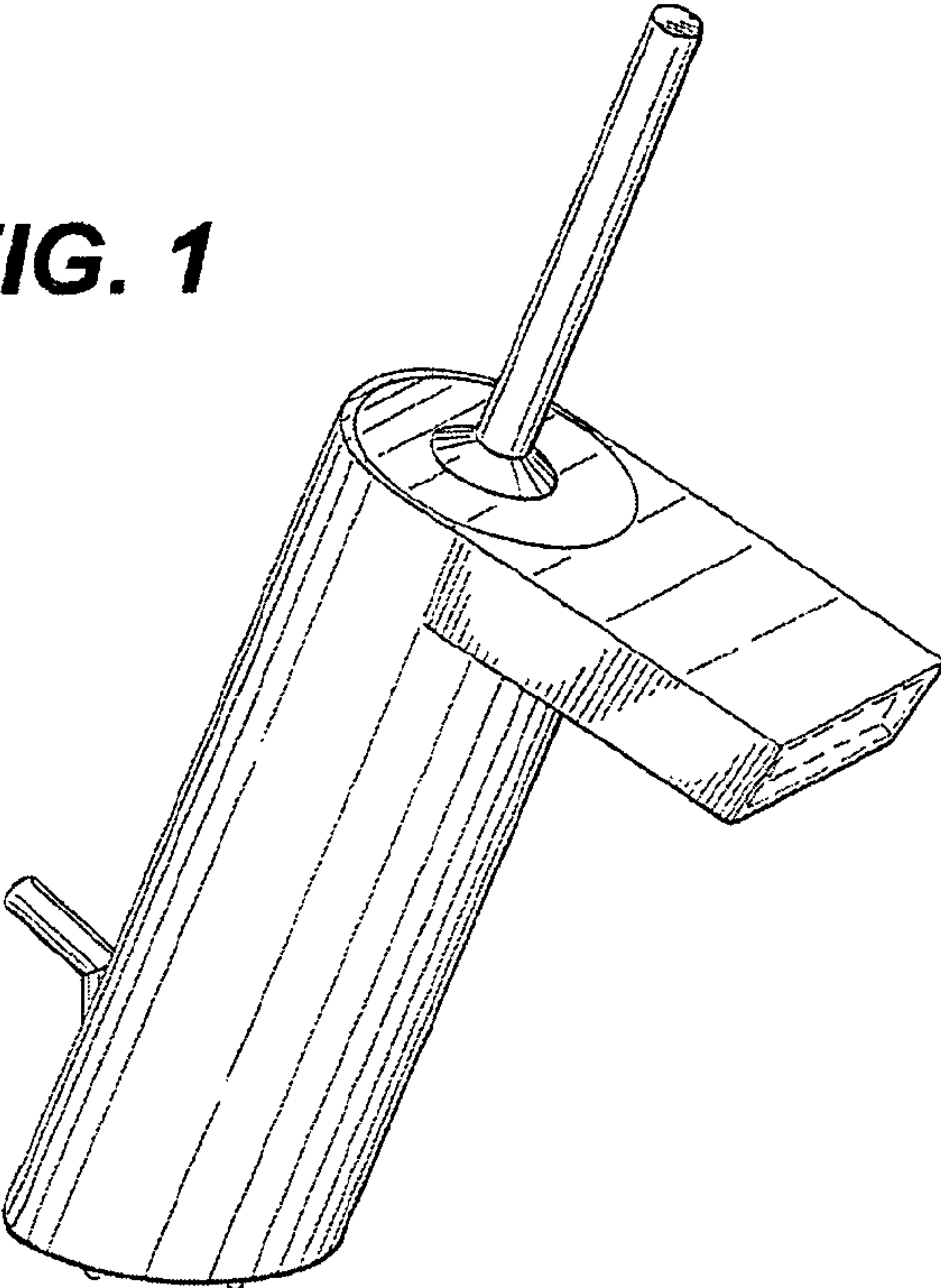


FIG. 2

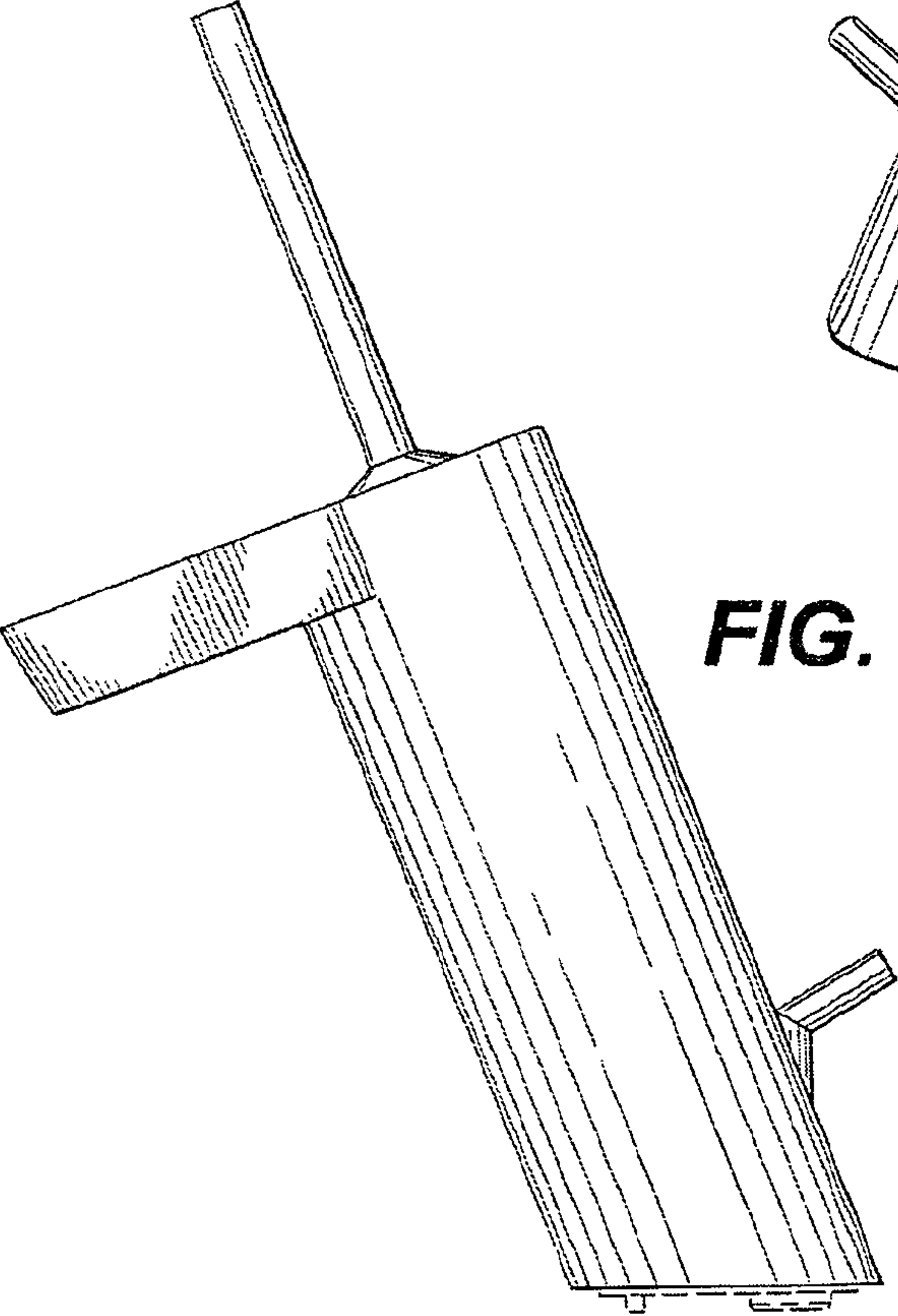


FIG. 3

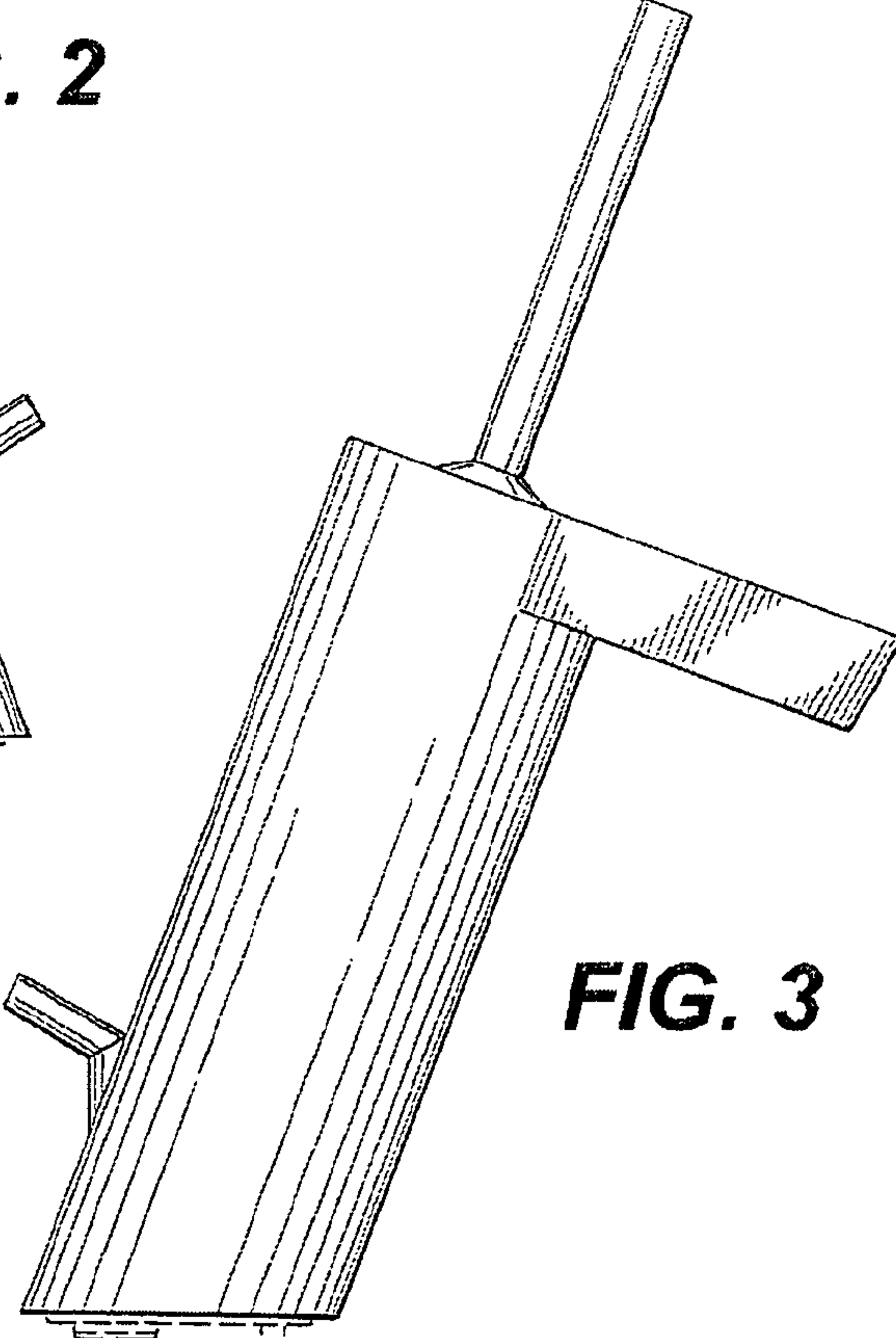


FIG. 4

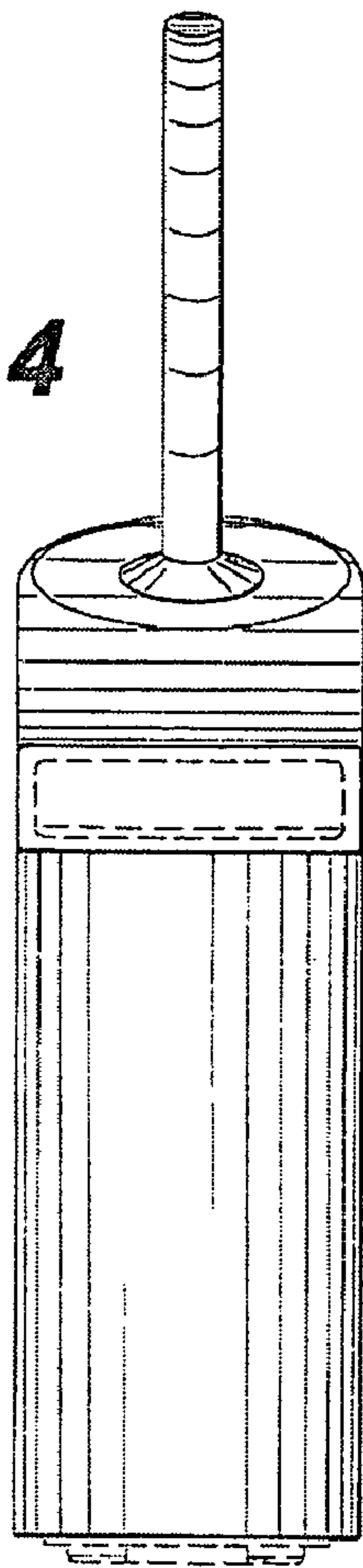


FIG. 5

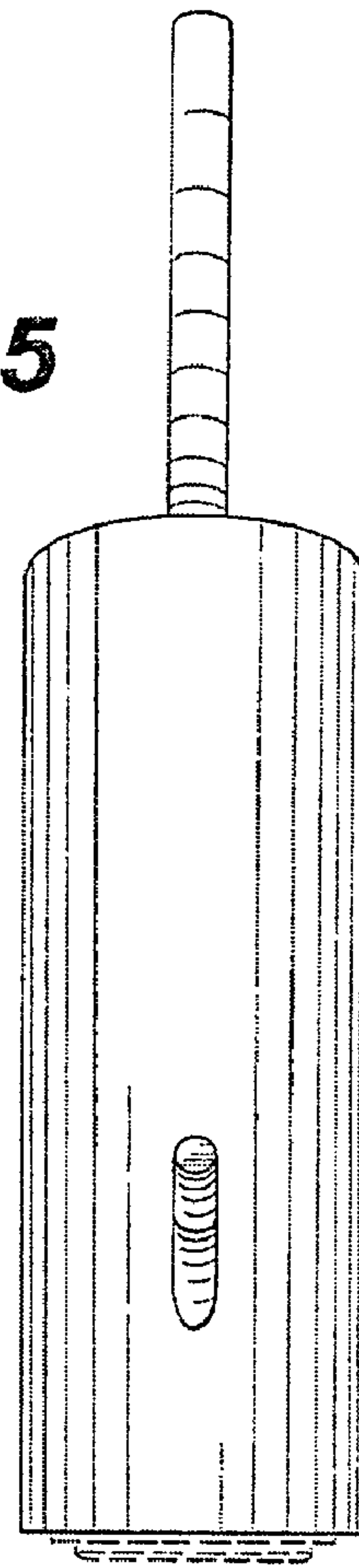


FIG. 6

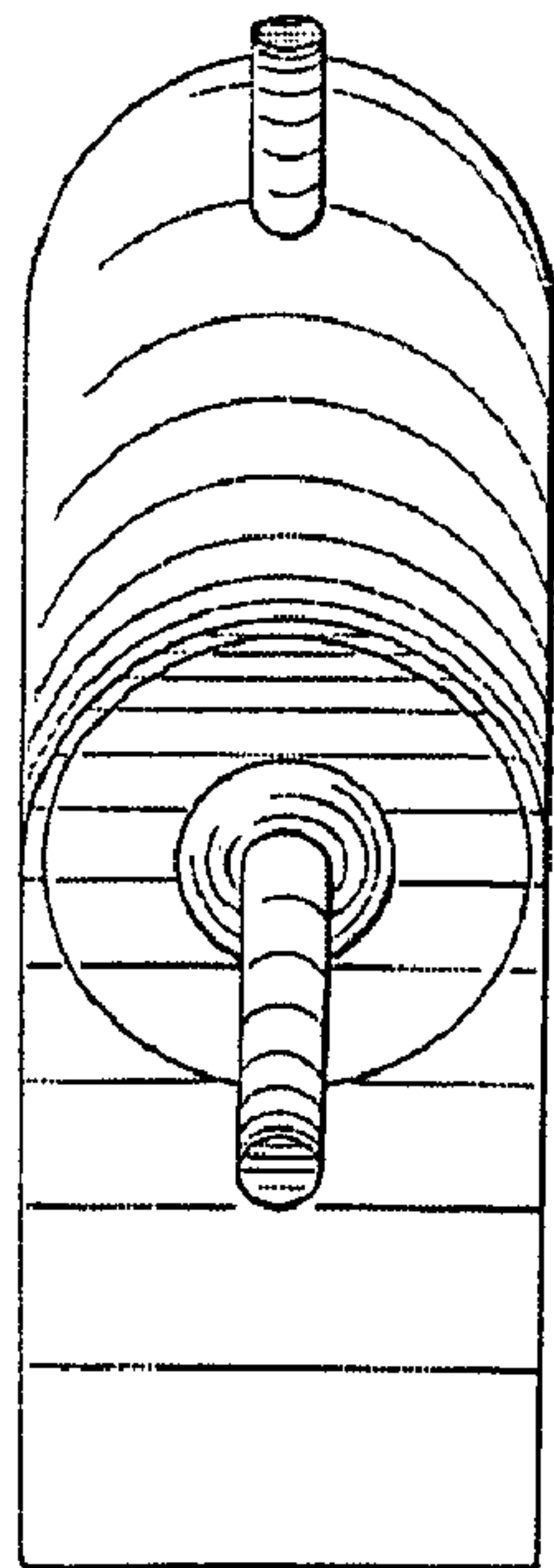


FIG. 7

