



US00D588232S

(12) **United States Design Patent**
Giacomini

(10) **Patent No.:** **US D588,232 S**
(45) **Date of Patent:** **** Mar. 10, 2009**

(54) **VALVE**

D538,889 S * 3/2007 Marstorp D23/233

(75) Inventor: **Corrado Giacomini**, Orta S. Giulio (IT)

* cited by examiner

(73) Assignee: **Giacomini S.p.A.**, S. Maurizio
D'Opaglio (No) (IT)

Primary Examiner—Ian Simmons

Assistant Examiner—Maurice Stevens

(74) *Attorney, Agent, or Firm*—Young & Thompson

(**) Term: **14 Years**

(21) Appl. No.: **29/265,735**

(57) **CLAIM**

The ornamental design for a valve, as shown.

(22) Filed: **Sep. 8, 2006**

DESCRIPTION

(30) **Foreign Application Priority Data**

Mar. 13, 2006 (IT) MI2006O0038

FIG. 1 is a top, side and end perspective view of a valve showing my new design;

(51) **LOC (9) Cl.** **23-01**

FIG. 2 is a side elevational view thereof;

(52) **U.S. Cl.** **D23/233**

FIG. 3 is a side elevational view thereof from the side opposite that shown in FIG. 2;

(58) **Field of Classification Search** D23/233–237,
D23/245, 250; 251/309, 310, 314, 315, 315.14,
251/335.5, 286–288; 137/625, 170–174,
137/219, 385

FIG. 4 is an end elevational view thereof from the left of FIG. 2;

See application file for complete search history.

FIG. 5 is an end elevational view thereof from the right of FIG. 2;

(56) **References Cited**

U.S. PATENT DOCUMENTS

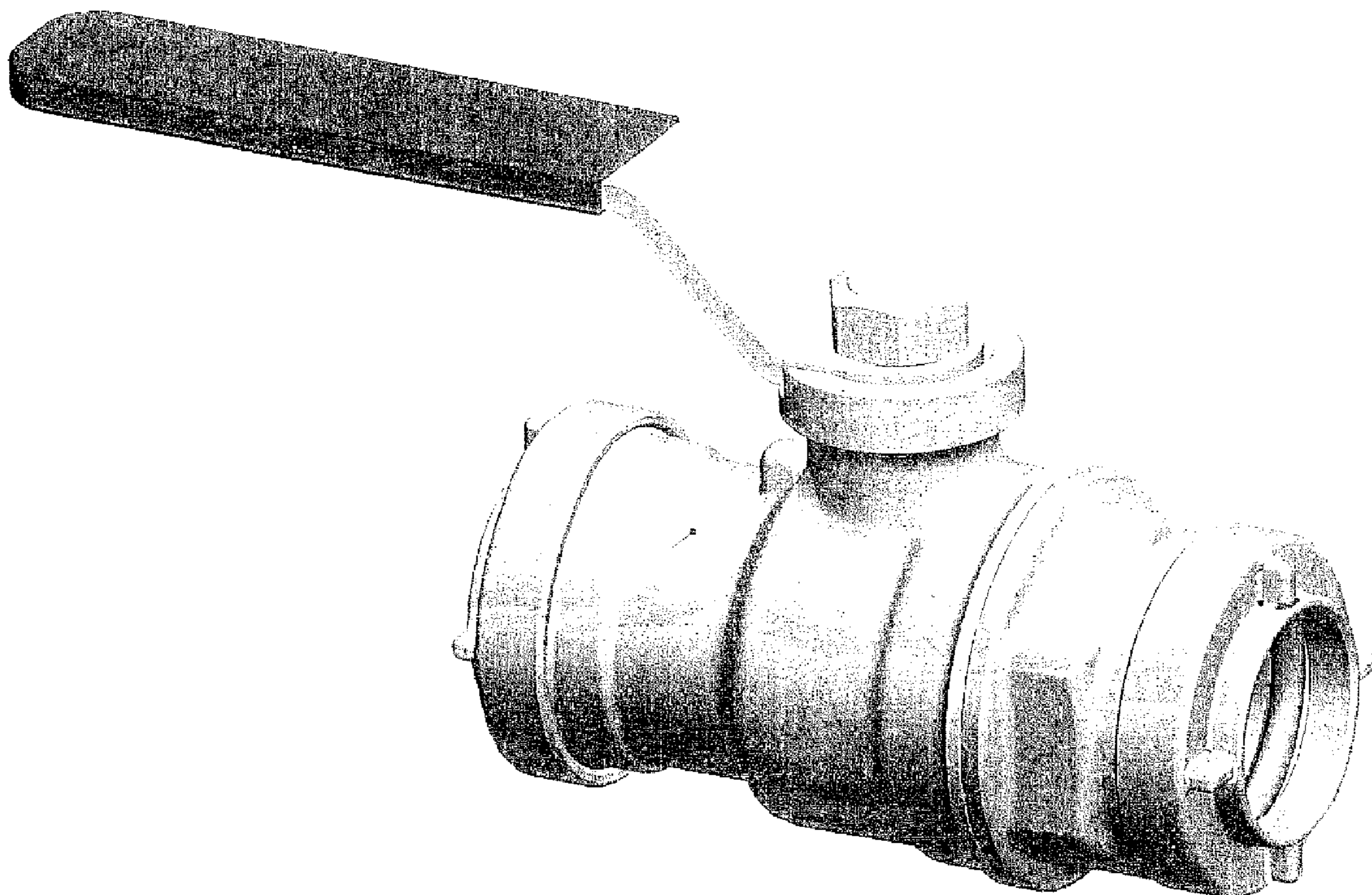
3,556,474 A * 1/1971 Scaramucci 251/172
4,580,763 A * 4/1986 Velan 251/171
5,937,890 A * 8/1999 Marandi 137/271
D526,387 S * 8/2006 Bonomi D23/236

FIG. 6 is a top plan view thereof; and,

FIG. 7 is a bottom plan view thereof.

The broken line disclosed in FIG. 1 and FIG. 5 defines the bounds of the claimed design and forms no part thereof.

1 Claim, 7 Drawing Sheets



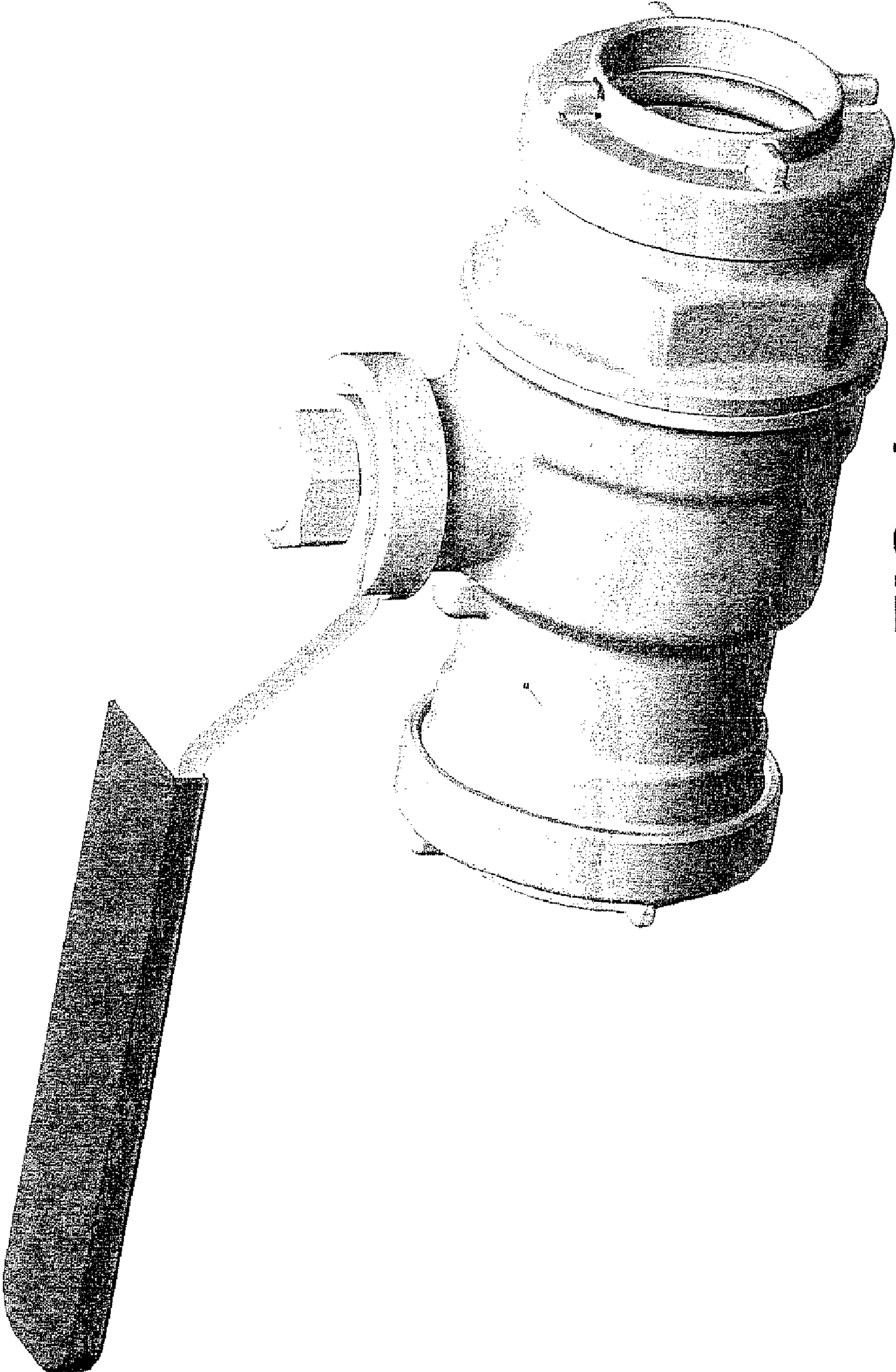


FIG. 1

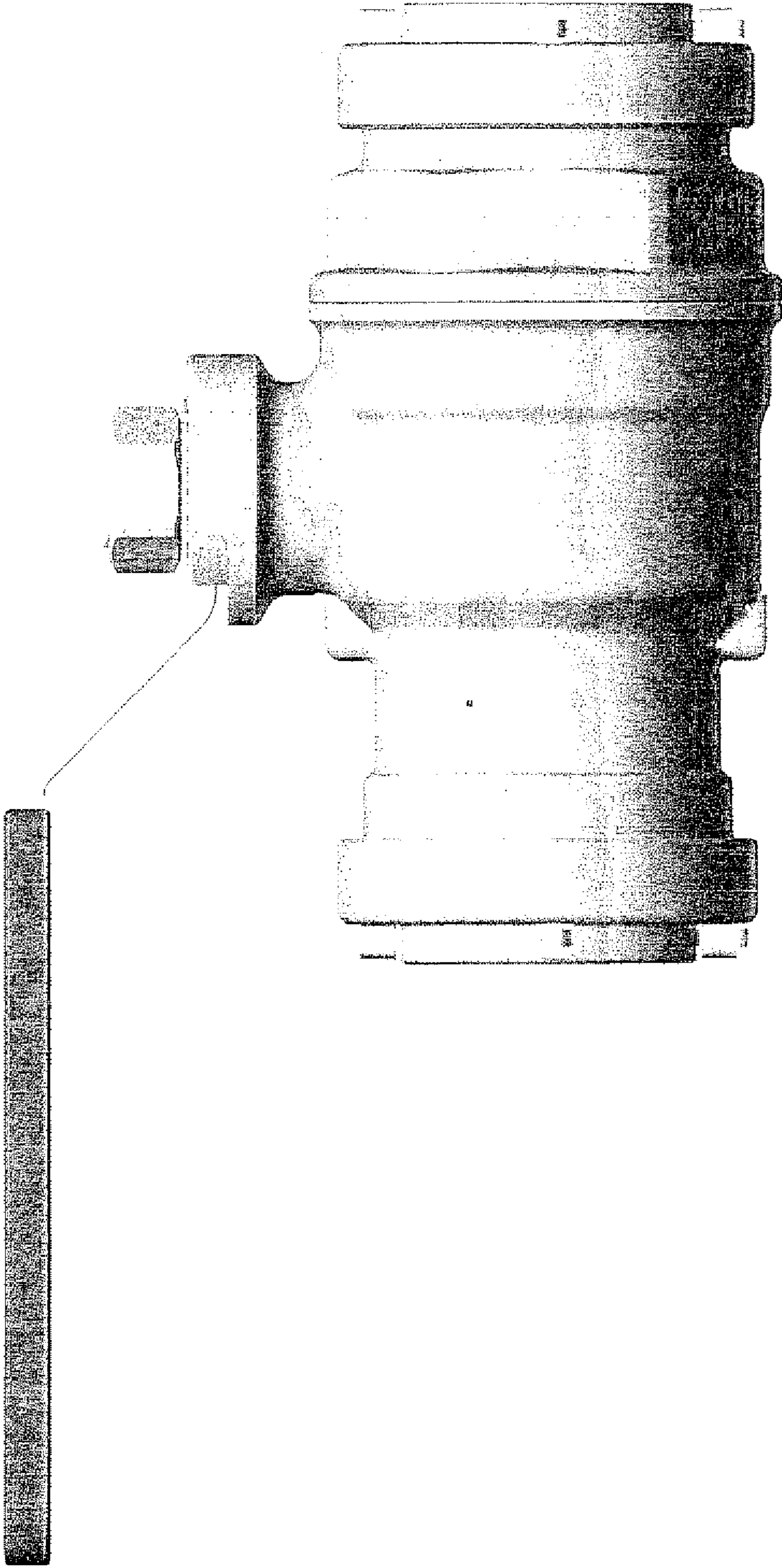


FIG. 2

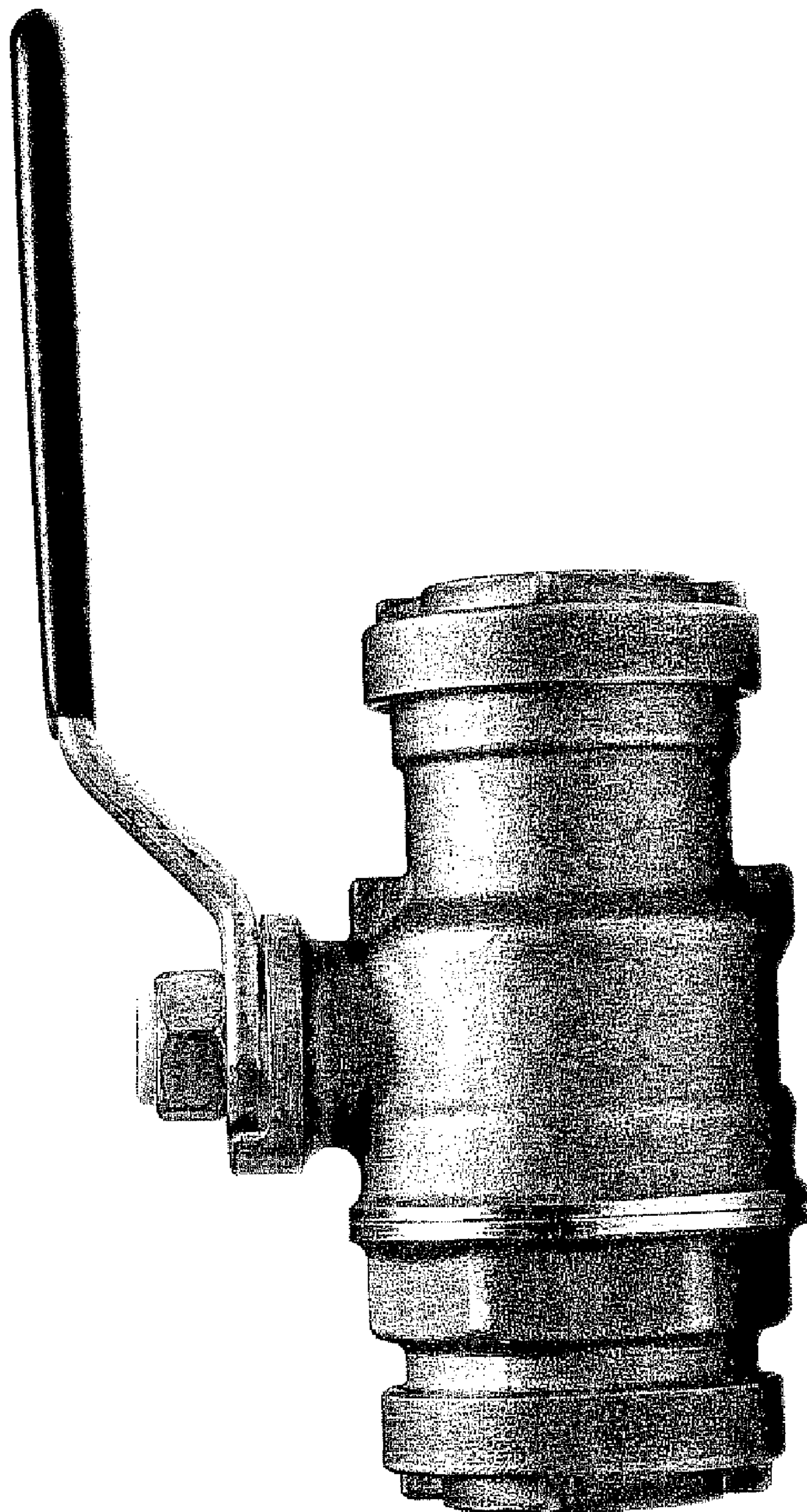


FIG. 3

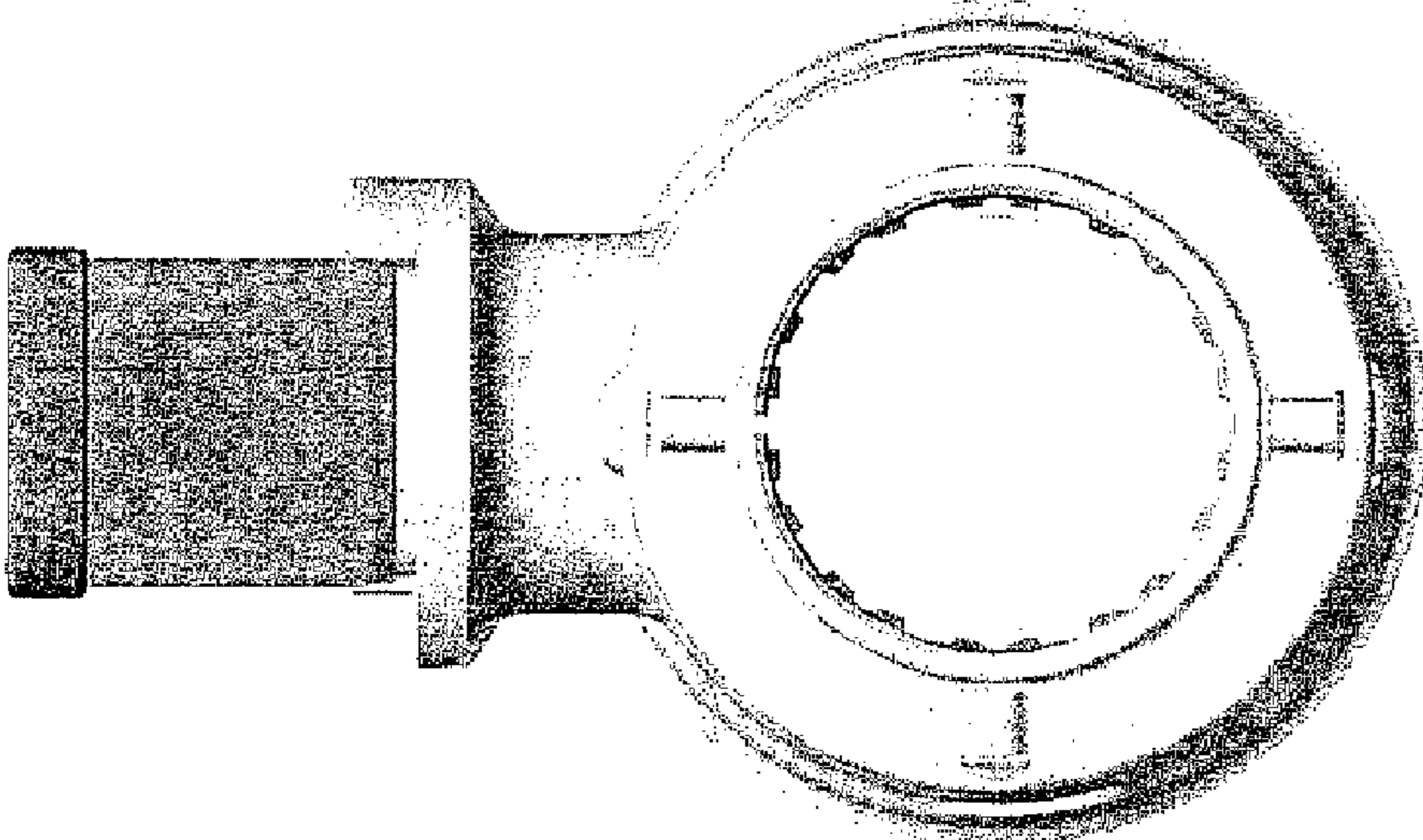


FIG. 4

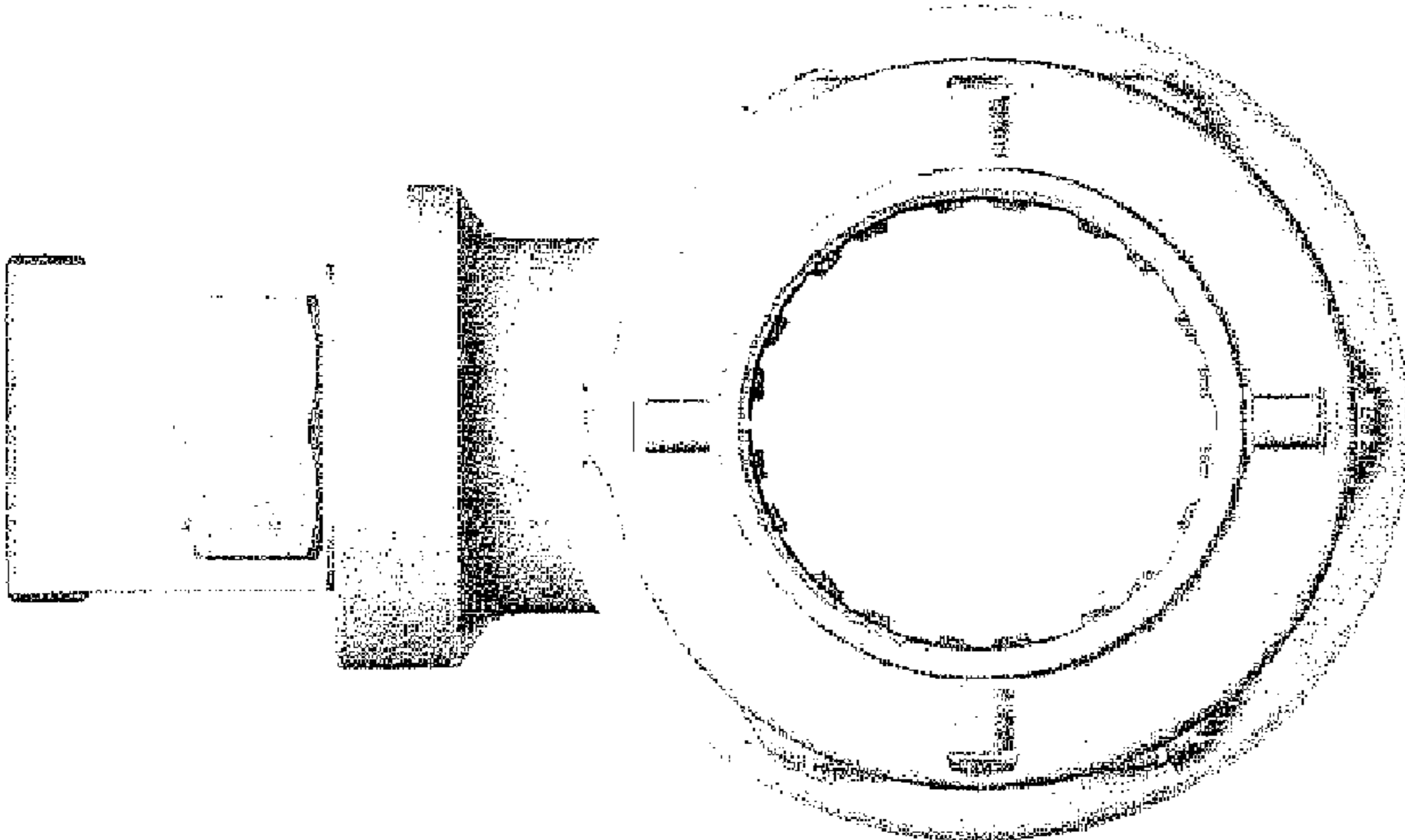


FIG. 5

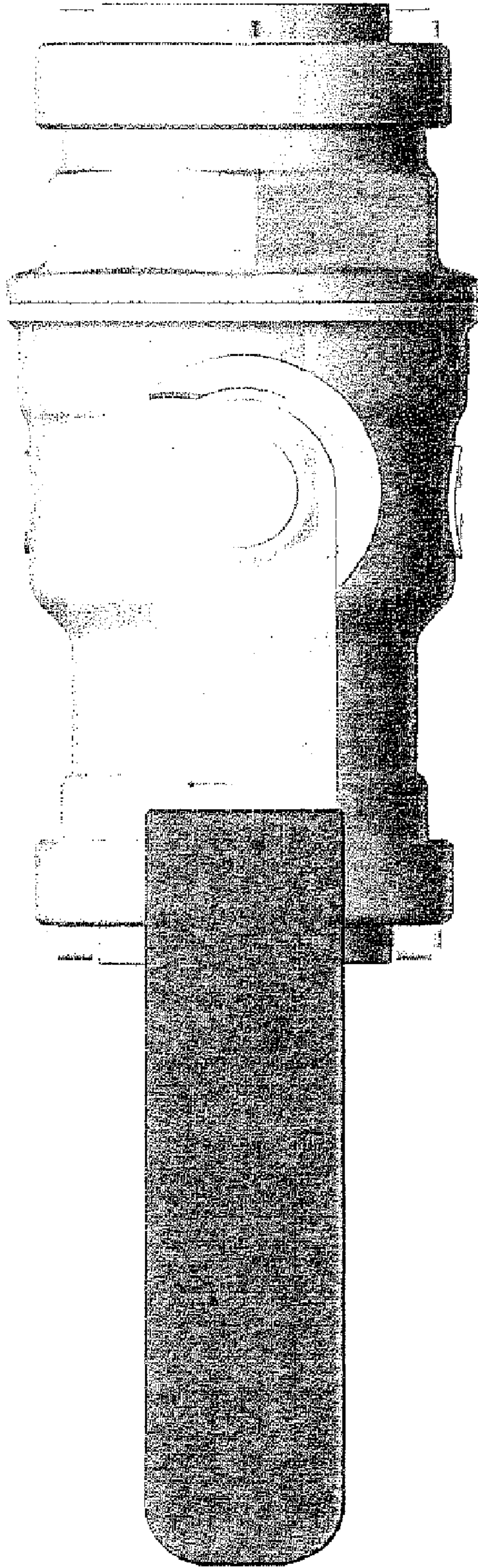


FIG. 6

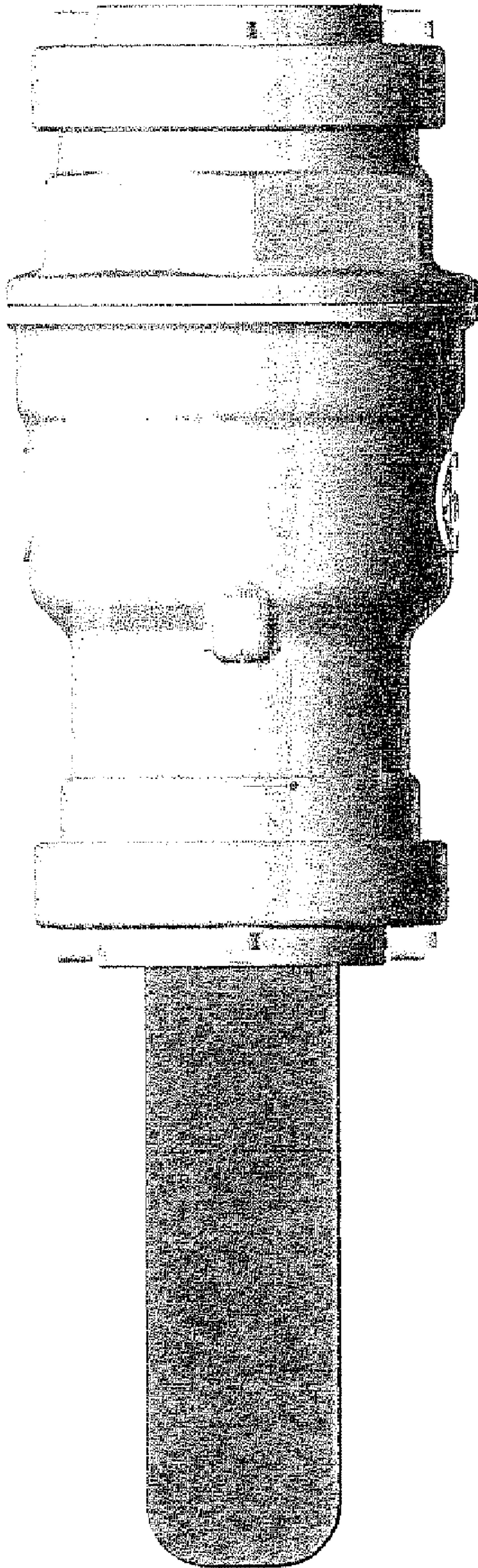


FIG. 7