



US00D588231S

(12) **United States Design Patent**
Pellin et al.

(10) **Patent No.:** **US D588,231 S**
(45) **Date of Patent:** **** Mar. 10, 2009**

(54) **SPRAY APPLICATOR**

(76) Inventors: **Christopher J. Pellin**, 13034 14th Ave., Burnsville, MN (US) 55337; **Douglas S. Ryder**, 1885 Lachman Ave. NE., St. Michael, MN (US) 55376; **Joseph E. Tix**, 3301 Century Dr., Hastings, MN (US) 55033; **Jeffrey N. Velgersdyk**, 9824 Ford Cir., Minneapolis, MN (US) 55426; **Mark T. Weinberger**, 8011 Eastwood Rd., Mounds View, MN (US) 55112

D313,064 S *	12/1990	Lind et al.	D23/226
D314,811 S *	2/1991	Gammons et al.	D23/226
D350,387 S *	9/1994	Feitel et al.	D23/226
D441,833 S *	5/2001	Haas	D23/226
D457,599 S *	5/2002	Karwoski et al.	D23/226
D479,305 S *	9/2003	Zittel et al.	D23/226
D513,058 S *	12/2005	Hayduk et al.	D23/226

* cited by examiner

Primary Examiner—Robin V Webster
(74) *Attorney, Agent, or Firm*—Douglas B. Farrow

(**) Term: **14 Years**

(21) Appl. No.: **29/318,501**

(22) Filed: **May 21, 2008**

(51) **LOC (9) Cl.** **23-01**

(52) **U.S. Cl.** **D23/223; D23/213**

(58) **Field of Classification Search** D23/213,
D23/223, 226; 239/526, 600, 459, 690; D8/14.1;
361/227, 228

See application file for complete search history.

(56) **References Cited**

U.S. PATENT DOCUMENTS

4,216,907 A * 8/1980 Fuller 239/127

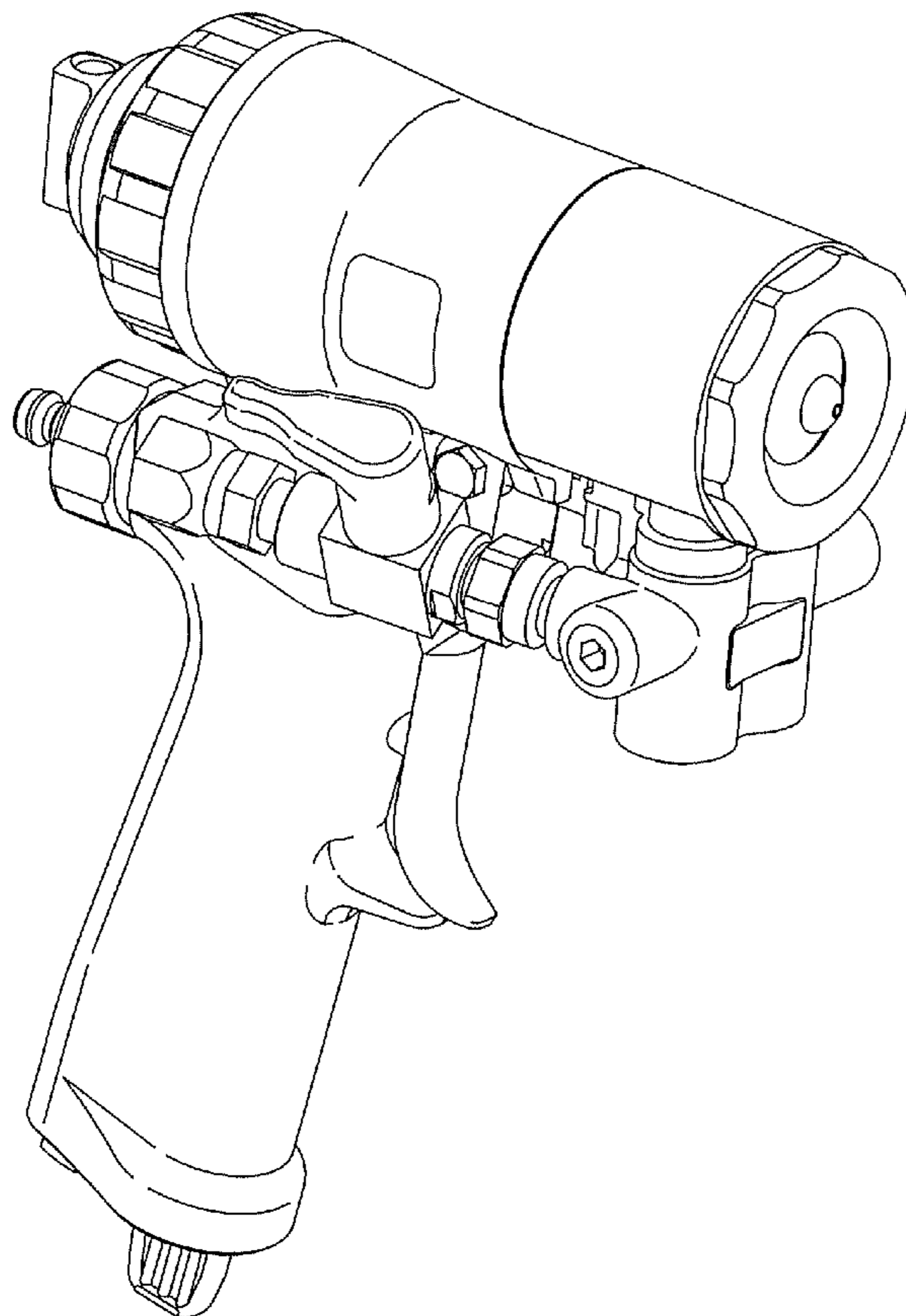
(57) **CLAIM**

The ornamental design for the spray applicator, as shown and described.

DESCRIPTION

FIG. 1 is a front perspective view of the spray applicator;
FIG. 2 is a top elevation view thereof;
FIG. 3 is a left side elevation view thereof with the right side being a mirror image thereof;
FIG. 4 is a front side elevation view thereof;
FIG. 5 is a rear elevation view thereof; and,
FIG. 6 is a bottom elevation view thereof.

1 Claim, 6 Drawing Sheets



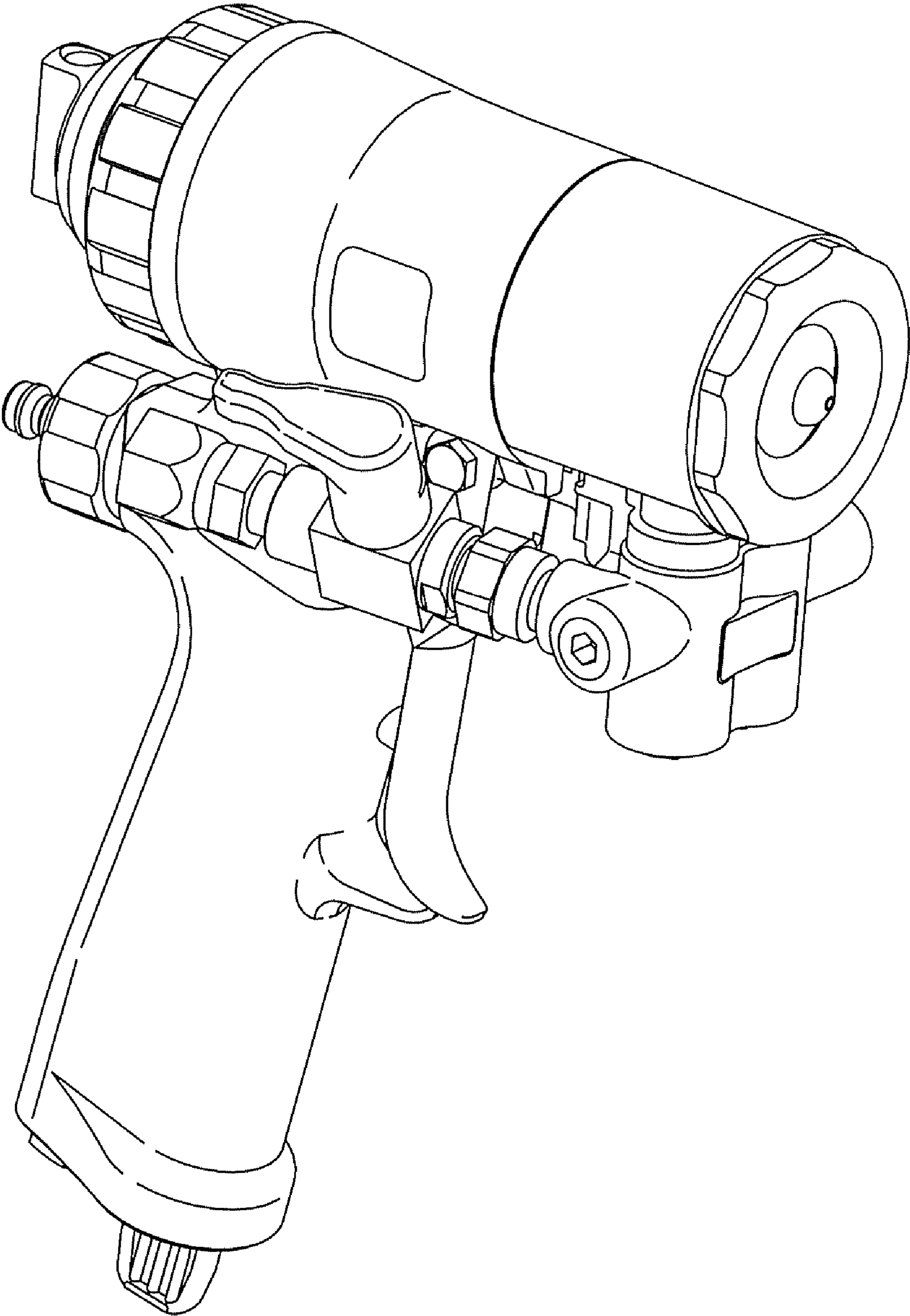


FIG. 1

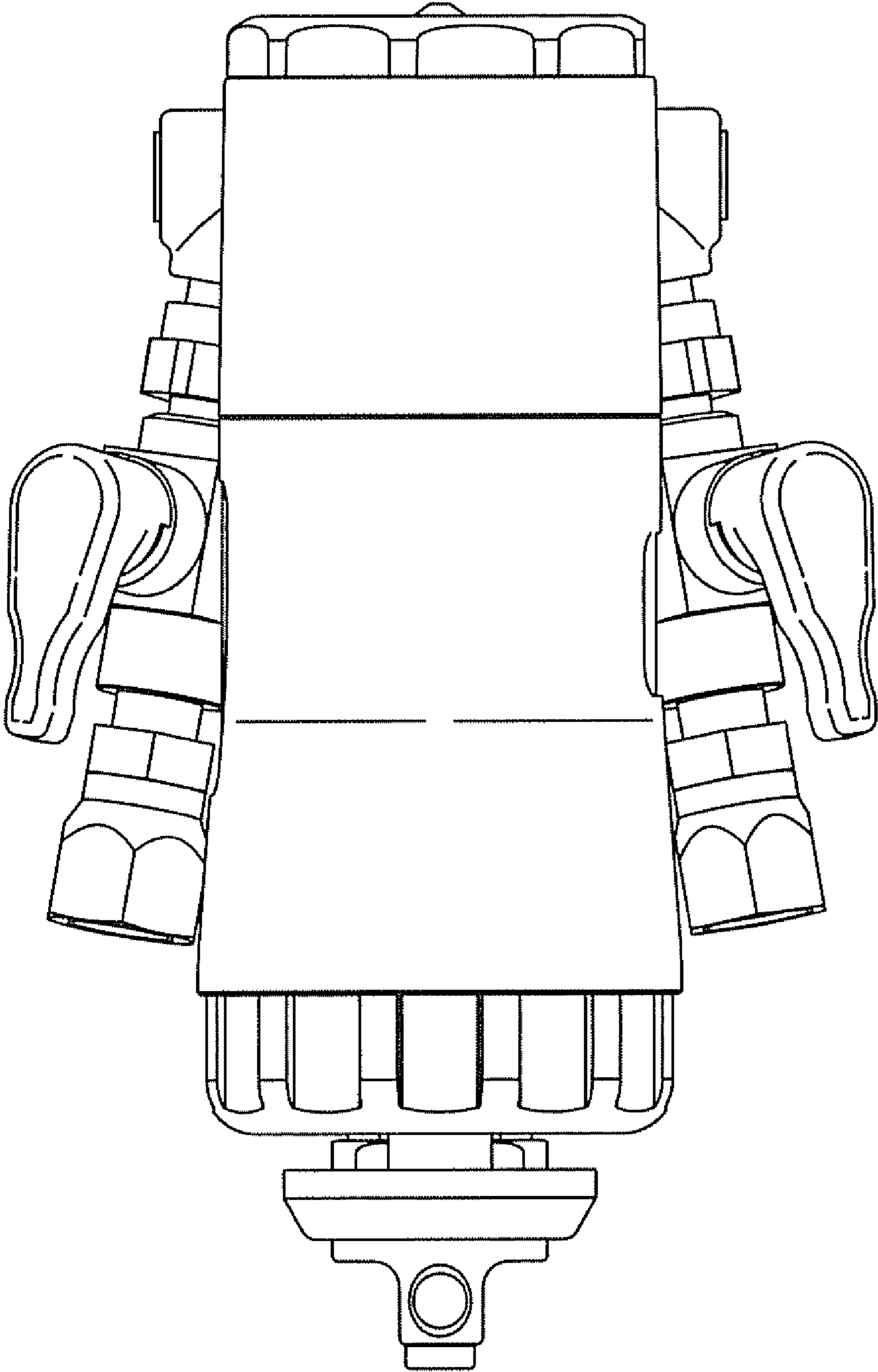


FIG. 2

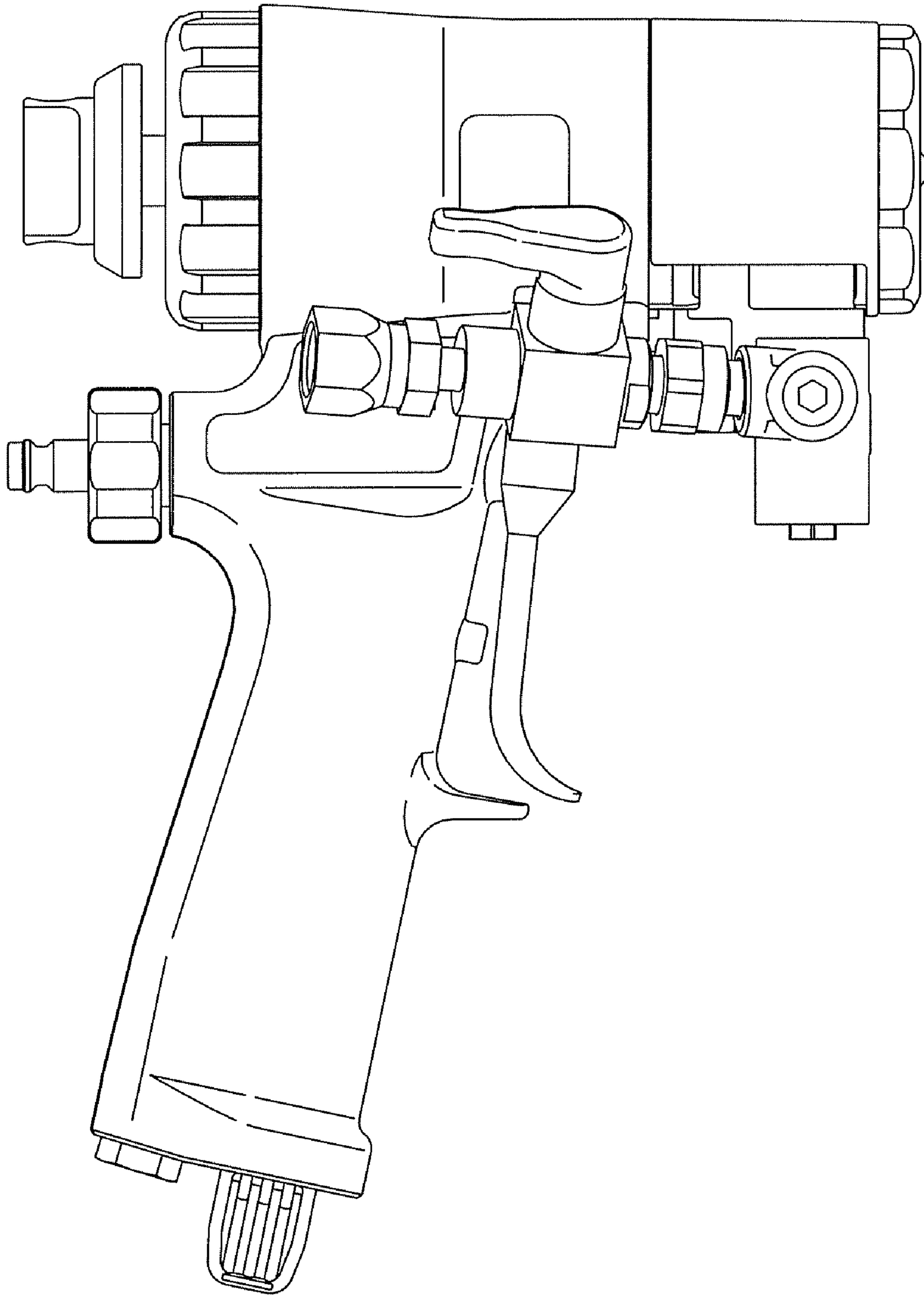


FIG. 3

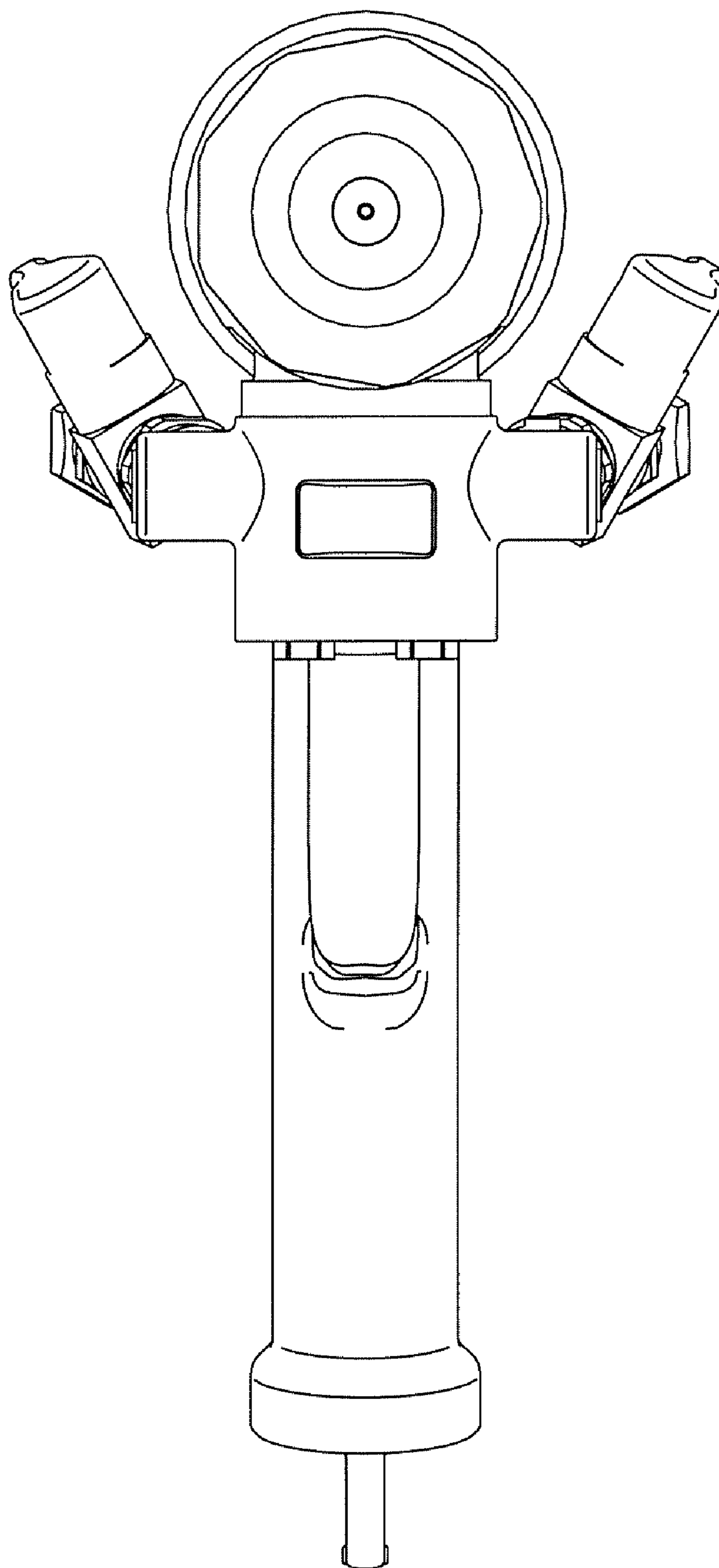


FIG. 4

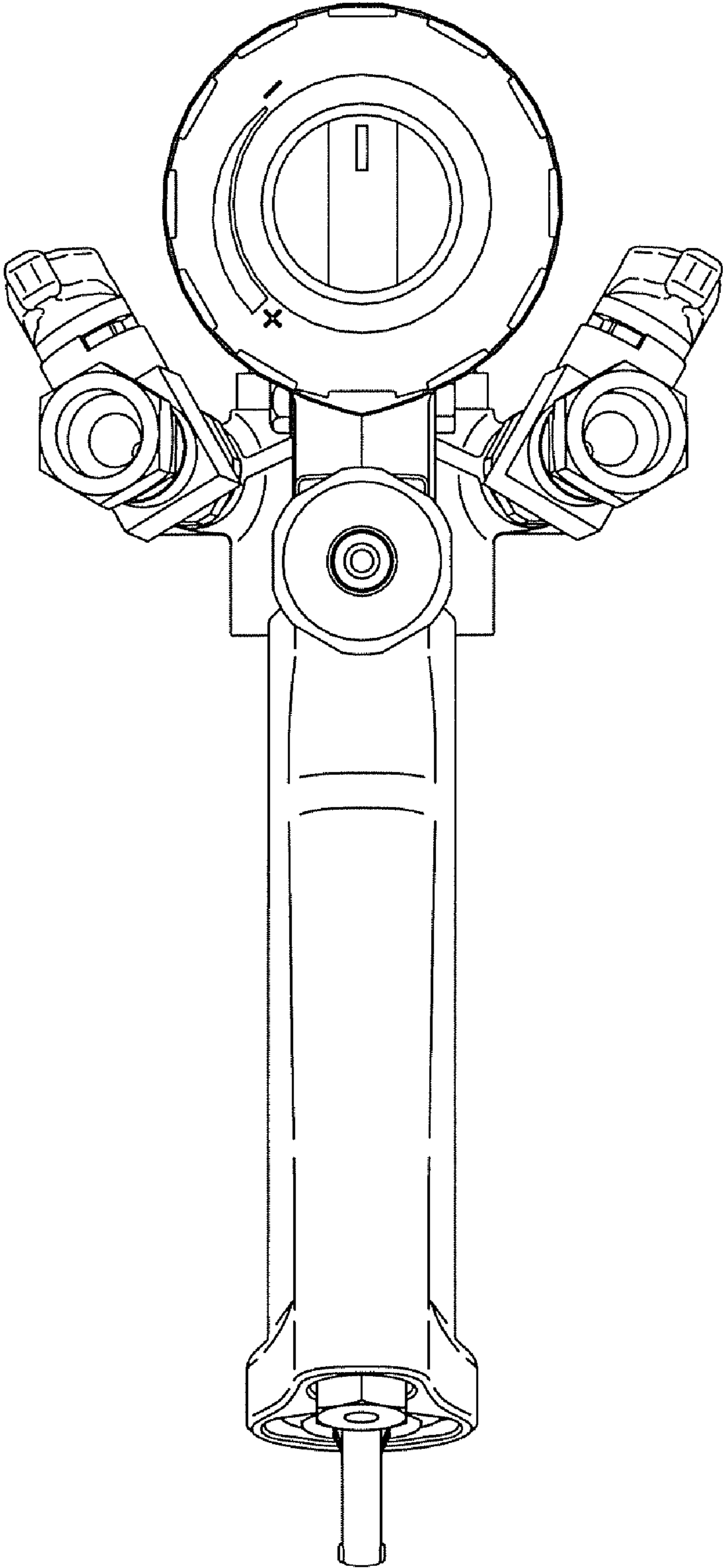


FIG. 5

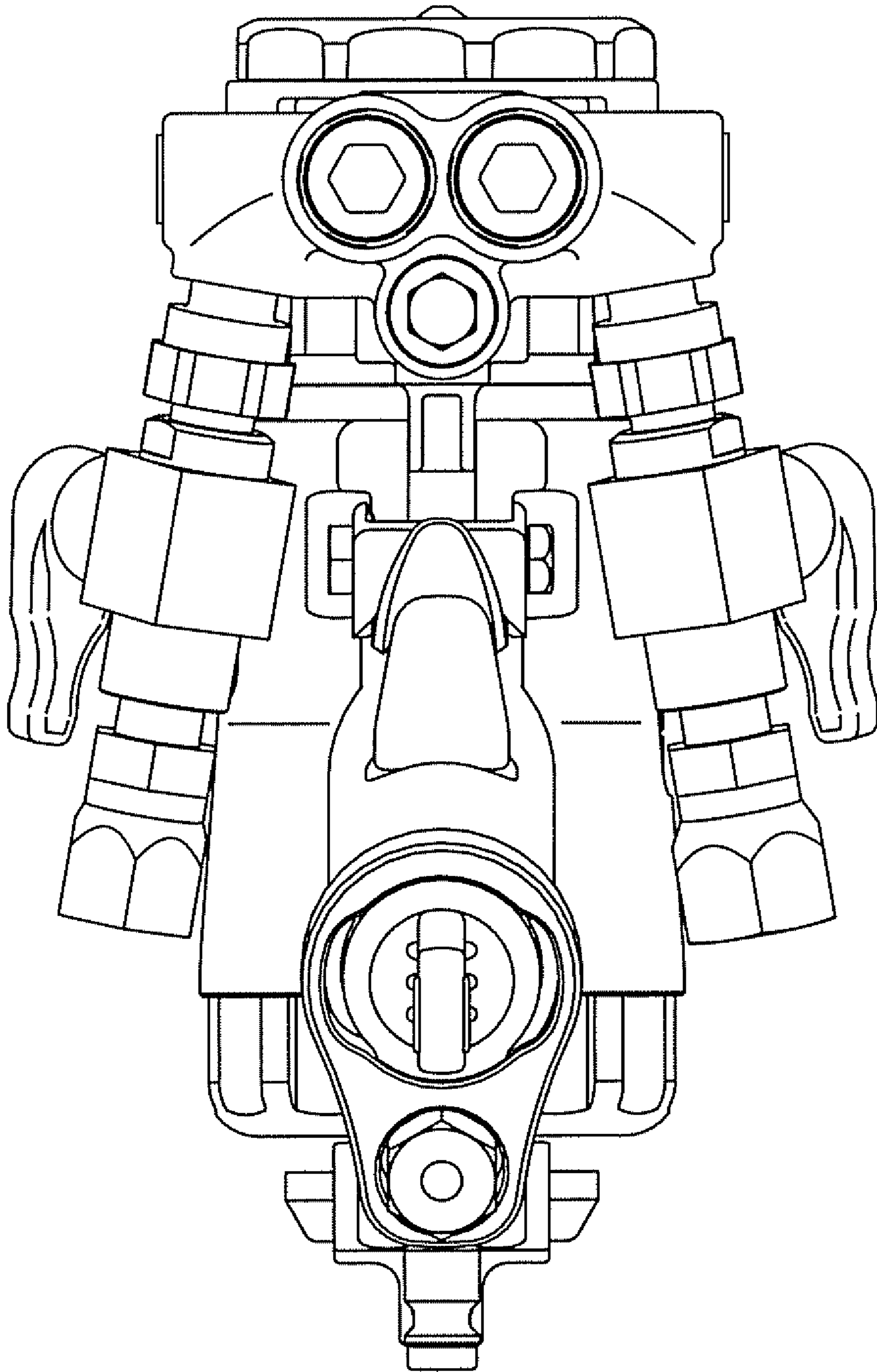


FIG. 6