



US00D588230S

(12) **United States Design Patent**
Mattson et al.

(10) **Patent No.:** **US D588,230 S**
(45) **Date of Patent:** **** Mar. 10, 2009**

(54) **TEXTURE APPLICATOR**

(76) Inventors: **Barry W. Mattson**, 13248 198th Ave. NW., Elk River, MN (US) 55330;
William M. Blenkush, 13133 170th Ave. SE., Becker, MN (US) 55308;
David M. Larsen, 5475 Kalenda Dr., Albertville, MN (US) 55301; **Chad R. Taszarek**, 10567 50th Ct., Albertville, MN (US) 55301; **Glen W. Davidson**, 1780 County Rd., C2W, Roseville, MN (US) 55113; **Eric J. Finstad**, 14036 Goldeneye Ct., Rogers, MN (US) 55374; **Thomas E. Kariniemi**, 1408 Landsdown Rd., Buffalo, MN (US) 55313; **James C. Schroeder**, 9000 160th La., Ramsey, MN (US) 55313

(**) Term: **14 Years**

(21) Appl. No.: **29/317,068**

(22) Filed: **Apr. 22, 2008**

(51) **LOC (9) Cl.** **23-01**

(52) **U.S. Cl.** **D23/223; D23/213**

(58) **Field of Classification Search** D23/213,
D23/223, 226; 239/526, 600, 459, 690; D8/14.1;
361/227, 228

See application file for complete search history.

(56) **References Cited**

U.S. PATENT DOCUMENTS

4,216,907	A	*	8/1980	Fuller	239/127
D313,064	S	*	12/1990	Lind et al.	D23/226
D314,811	S	*	2/1991	Gammons et al.	D23/226
D350,387	S	*	9/1994	Feitel et al.	D23/226
D441,833	S	*	5/2001	Haas	D23/226
D457,599	S	*	5/2002	Karwoski et al.	D23/226
D479,305	S	*	9/2003	Zittel et al.	D23/226
D513,058	S	*	12/2005	Hayduk et al.	D23/226

* cited by examiner

Primary Examiner—Robin V Webster

(74) *Attorney, Agent, or Firm*—Douglas B. Farrow

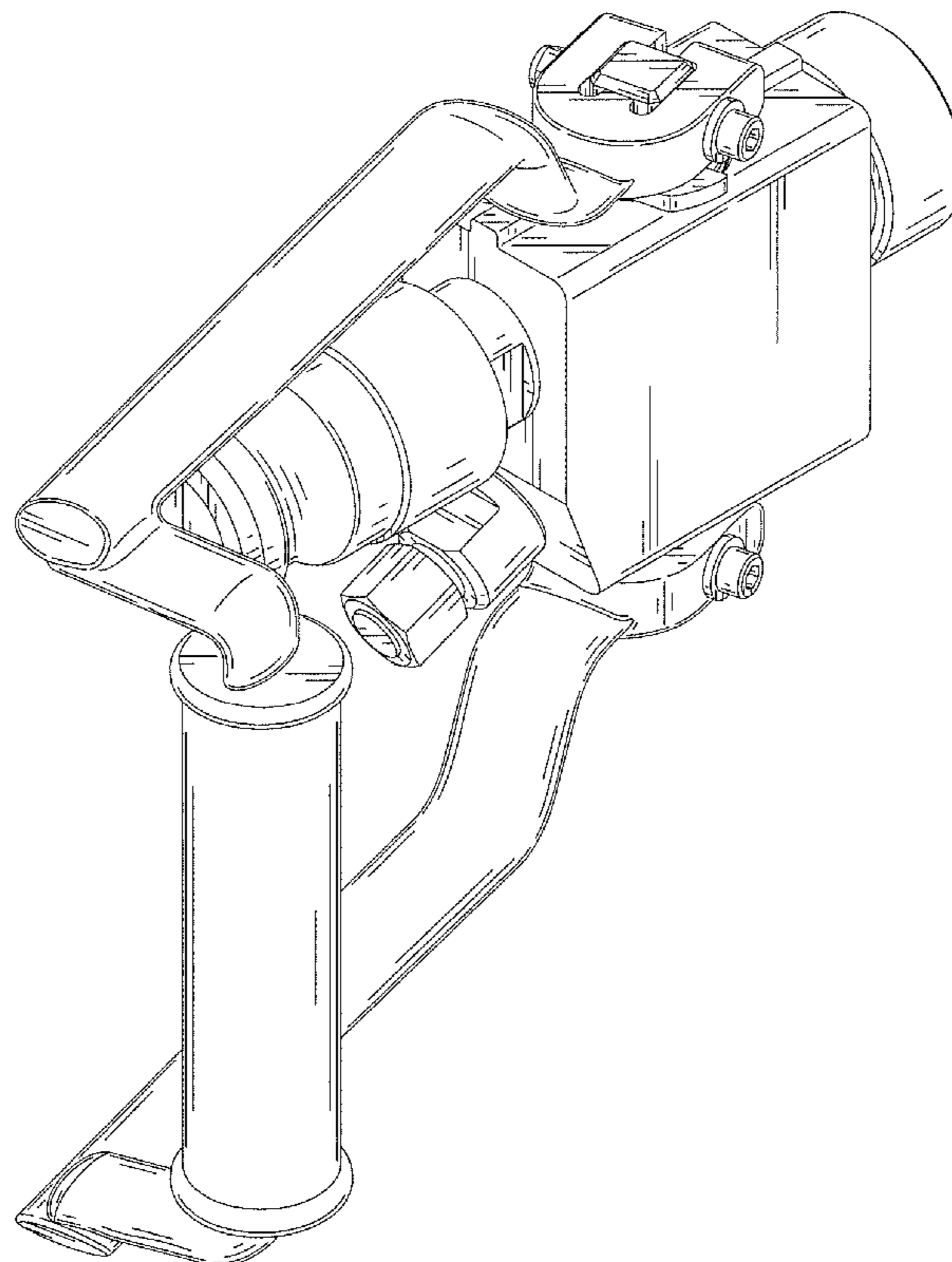
(57) **CLAIM**

The ornamental design for the texture applicator, as shown and described.

DESCRIPTION

FIG. 1 is a rear perspective view of the texture applicator;
FIG. 2 is a top elevation view thereof;
FIG. 3 is a right side elevation view thereof;
FIG. 4 is a front elevation view thereof;
FIG. 5 is a rear elevation view thereof;
FIG. 6 is a left side elevation view thereof; and,
FIG. 7 is a bottom elevation view thereof.

1 Claim, 7 Drawing Sheets



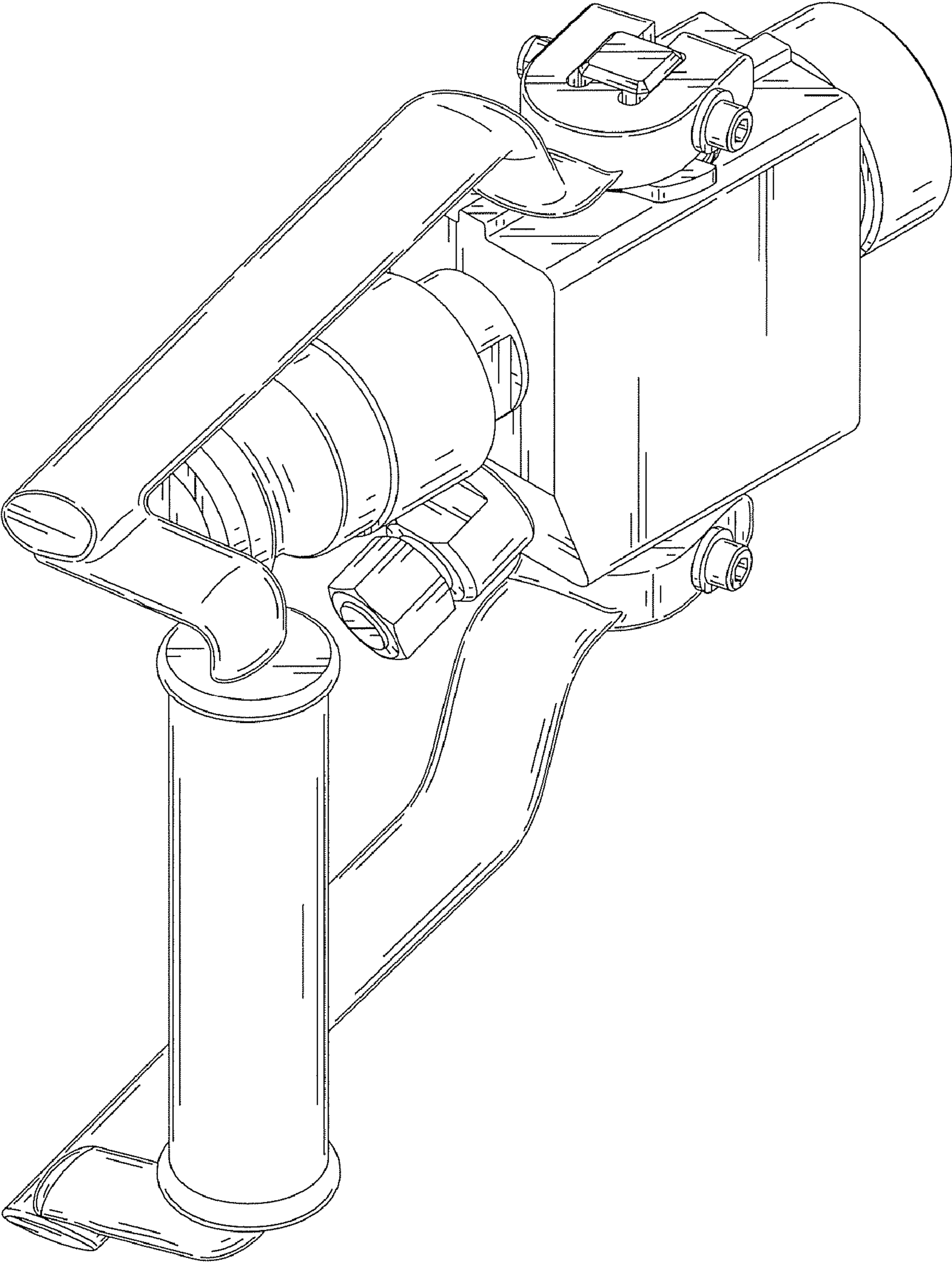


FIG. 1

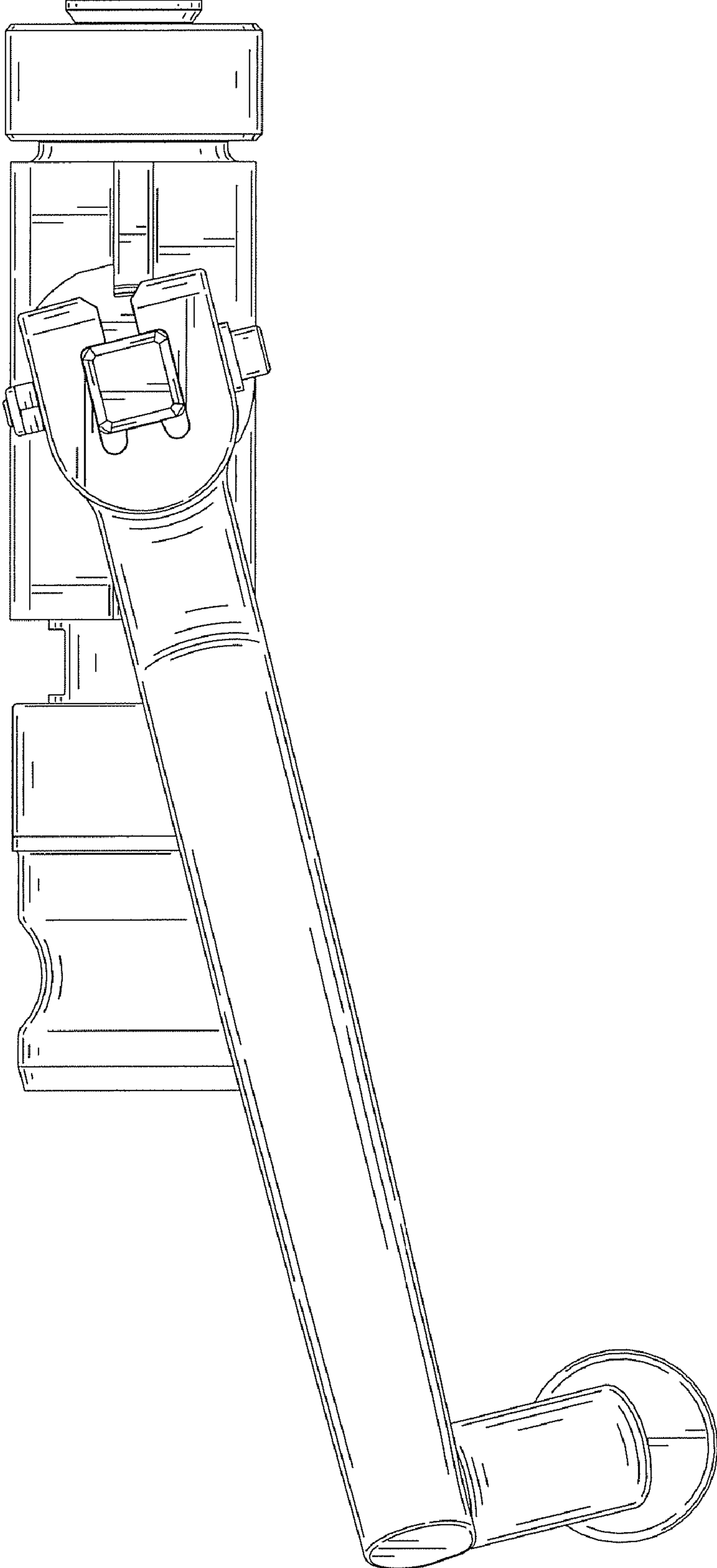


FIG. 2

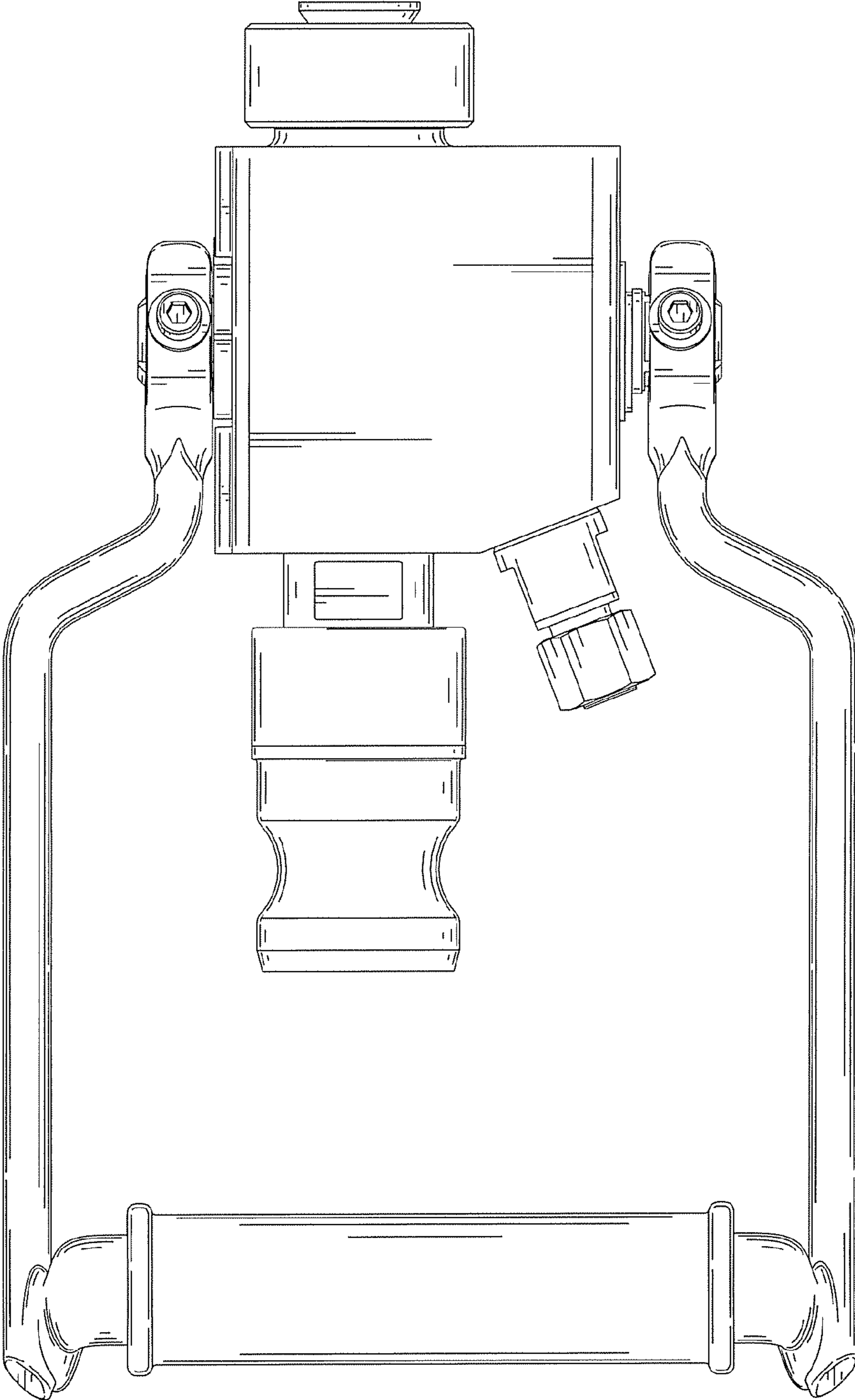


FIG. 3

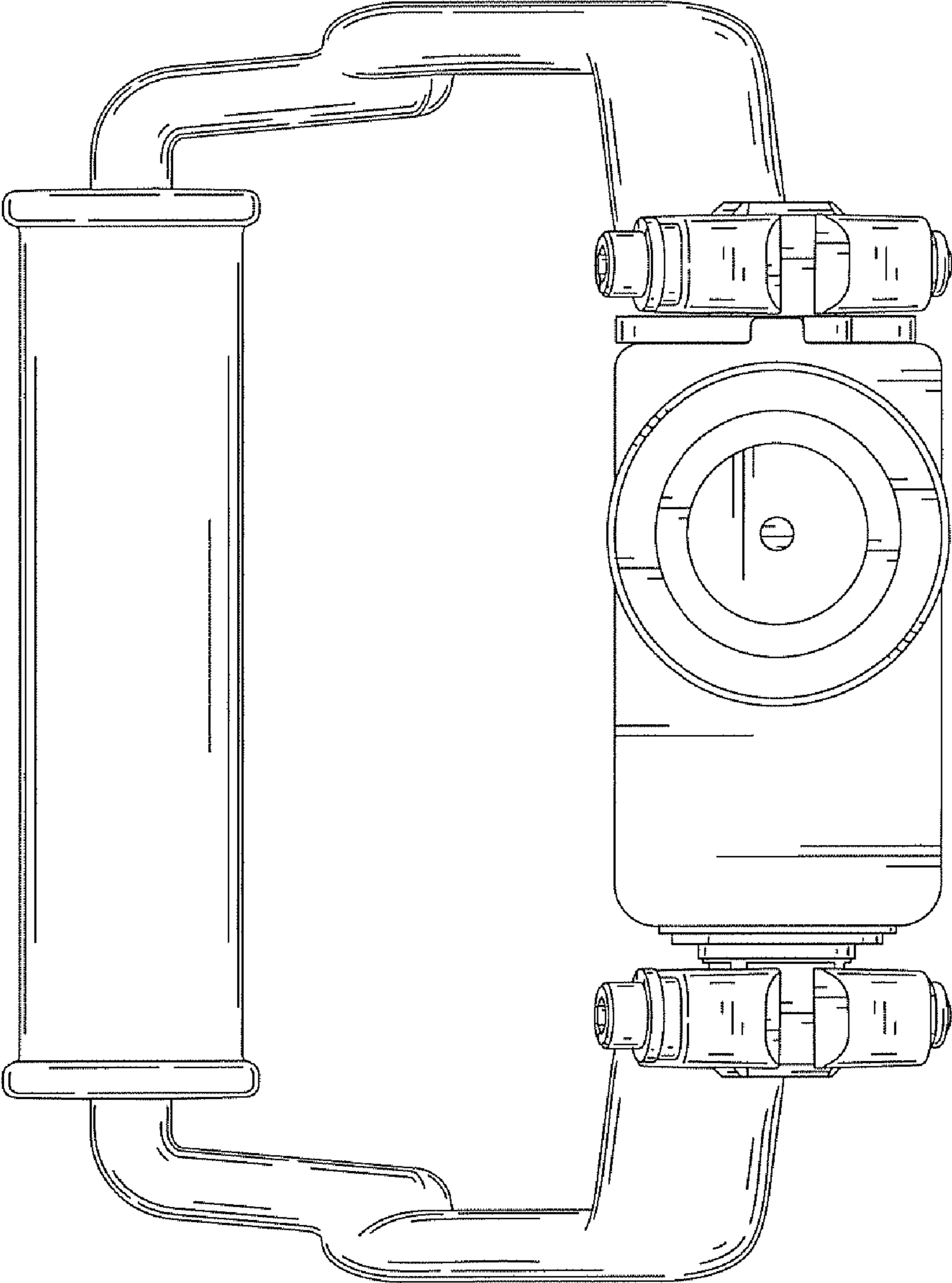


FIG. 4

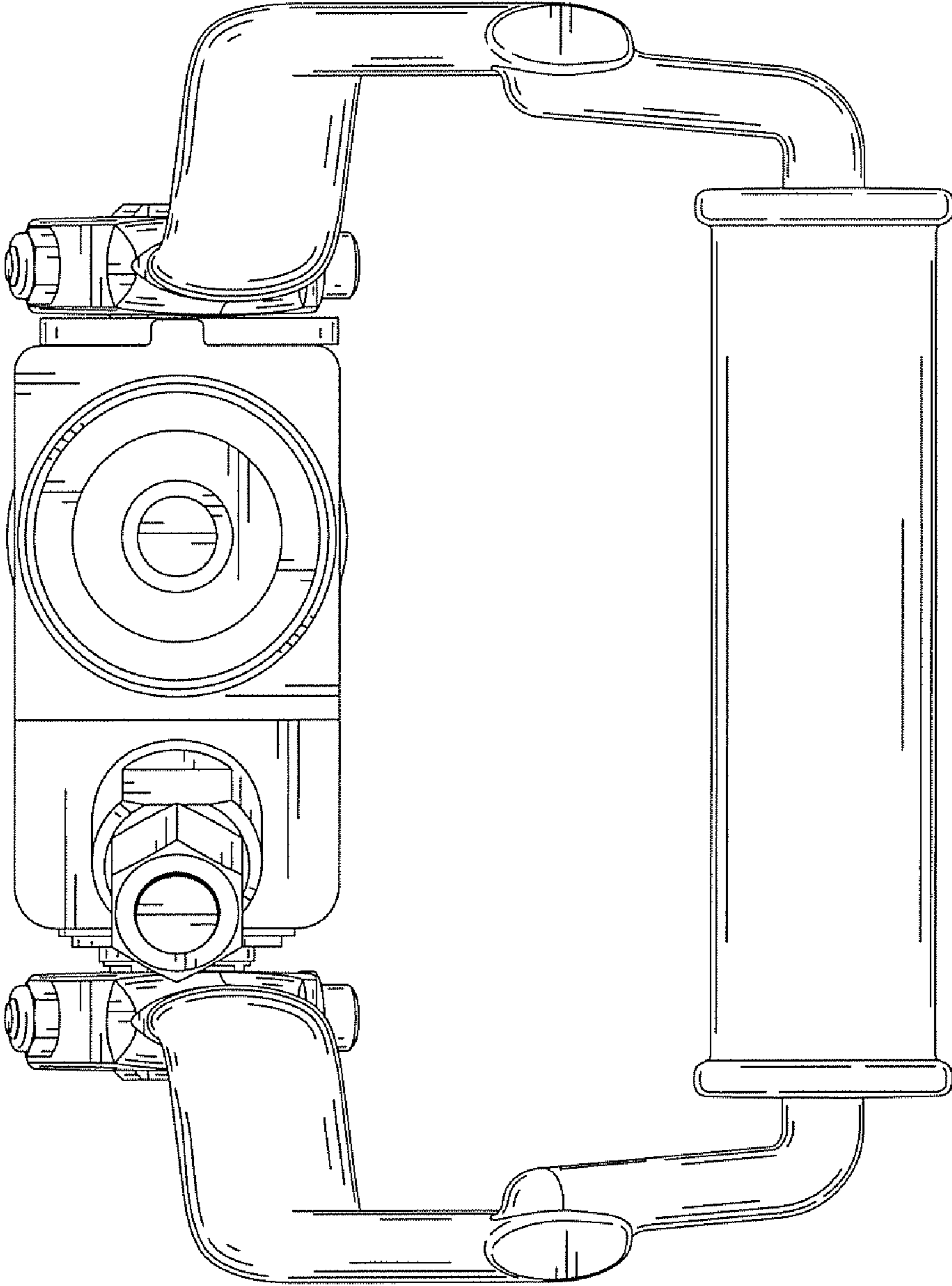


FIG. 5

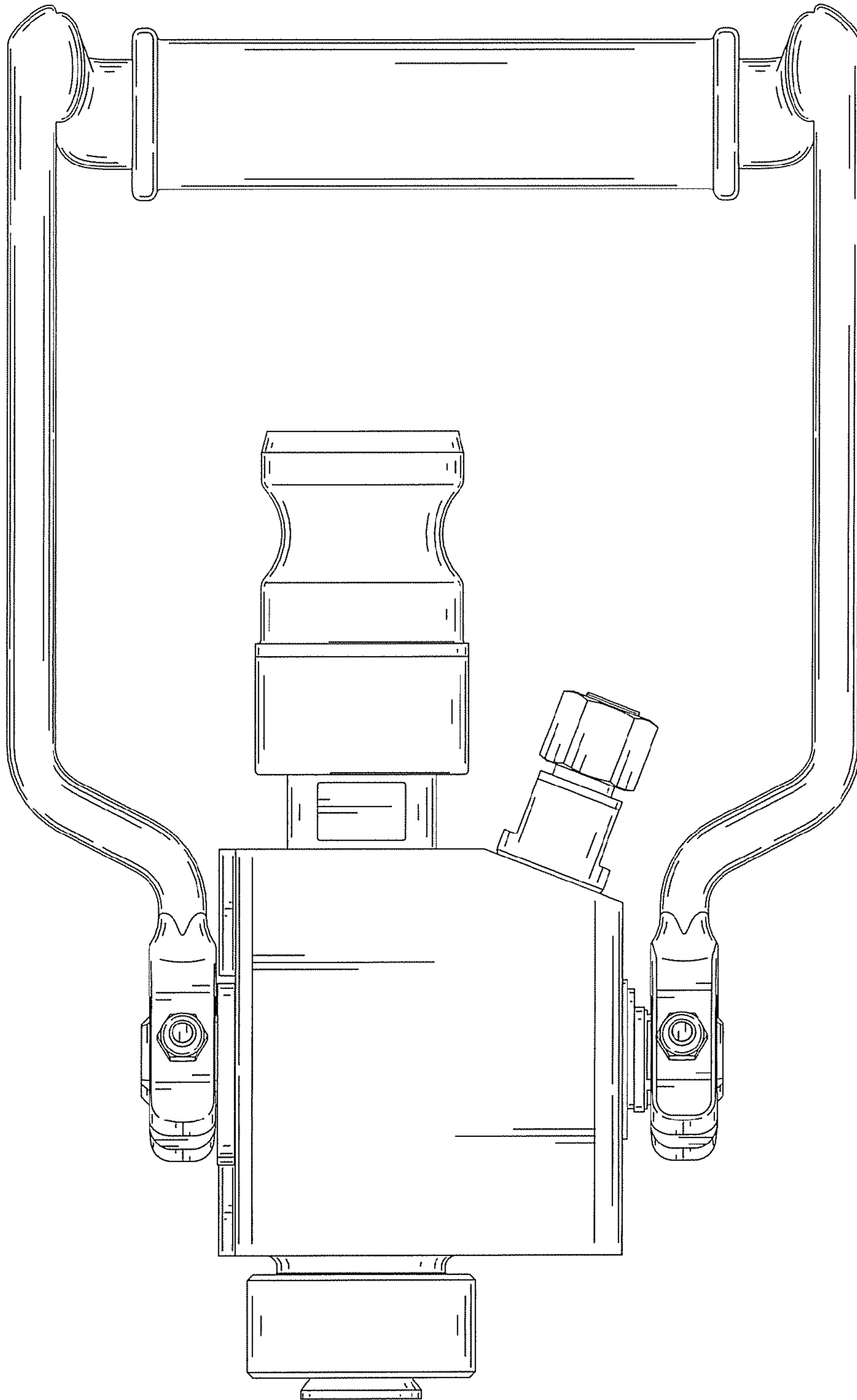


FIG. 6

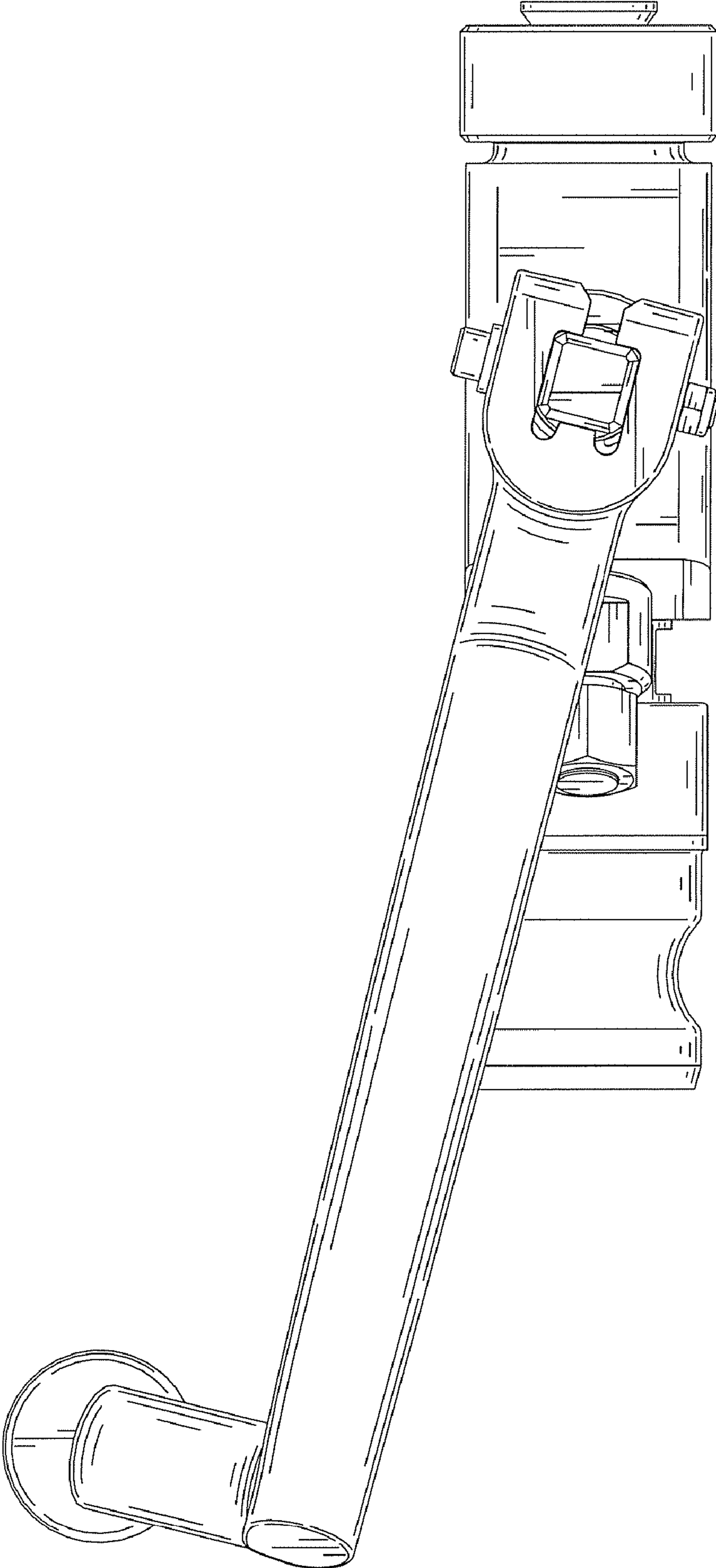


FIG. 7