



US00D588228S

(12) **United States Design Patent**
Swan

(10) **Patent No.:** **US D588,228 S**

(45) **Date of Patent:** **** Mar. 10, 2009**

(54) **FOLDING FRONT SIGHT**

(76) **Inventor:** **Richard E. Swan**, 171 West St., E.
Bridgewater, MA (US) 02333

(**) **Term:** **14 Years**

(21) **Appl. No.:** **29/319,541**

(22) **Filed:** **Jun. 11, 2008**

(51) **LOC (9) Cl.** **22-01**

(52) **U.S. Cl.** **D22/109**

(58) **Field of Classification Search** D22/108-110;
42/123, 113, 112, 148, 140, 136, 139, 125,
42/72, 137, 142, 25, 111, 134, 135, 138,
42/141, 143, 144, 145; 89/161, 41.9, 200-204;
33/227

See application file for complete search history.

(56) **References Cited**

U.S. PATENT DOCUMENTS

878,857	A *	2/1908	Bevier	42/136
D266,783	S *	11/1982	Stratman	D22/109
5,533,292	A	7/1996	Swan		
6,779,290	B1 *	8/2004	Houtsma	42/148
D526,380	S	8/2006	Swan		
7,356,962	B2	4/2008	Swan		

* cited by examiner

Primary Examiner—Cathron C Brooks

Assistant Examiner—Melanie Levy

(74) *Attorney, Agent, or Firm*—Barlow, Josephs & Holmes,
Ltd.

(57) **CLAIM**

The ornamental design for a folding front sight, as shown and described.

DESCRIPTION

FIG. 1 is a perspective view of the folding front sight in accordance with the present invention;

FIG. 2 is a left side thereof;

FIG. 3 is a right side view thereof;

FIG. 4 is a front view thereof;

FIG. 5 is a rear view thereof;

FIG. 6 is a top view thereof;

FIG. 7 is a bottom view thereof;

FIG. 8 is another perspective view showing the folding front sight in a stowed position;

FIG. 9 is a perspective view of an alternative embodiment of the folding front sight in accordance with the present invention;

FIG. 10 is a left side thereof;

FIG. 11 is a right side view thereof;

FIG. 12 is a front view thereof;

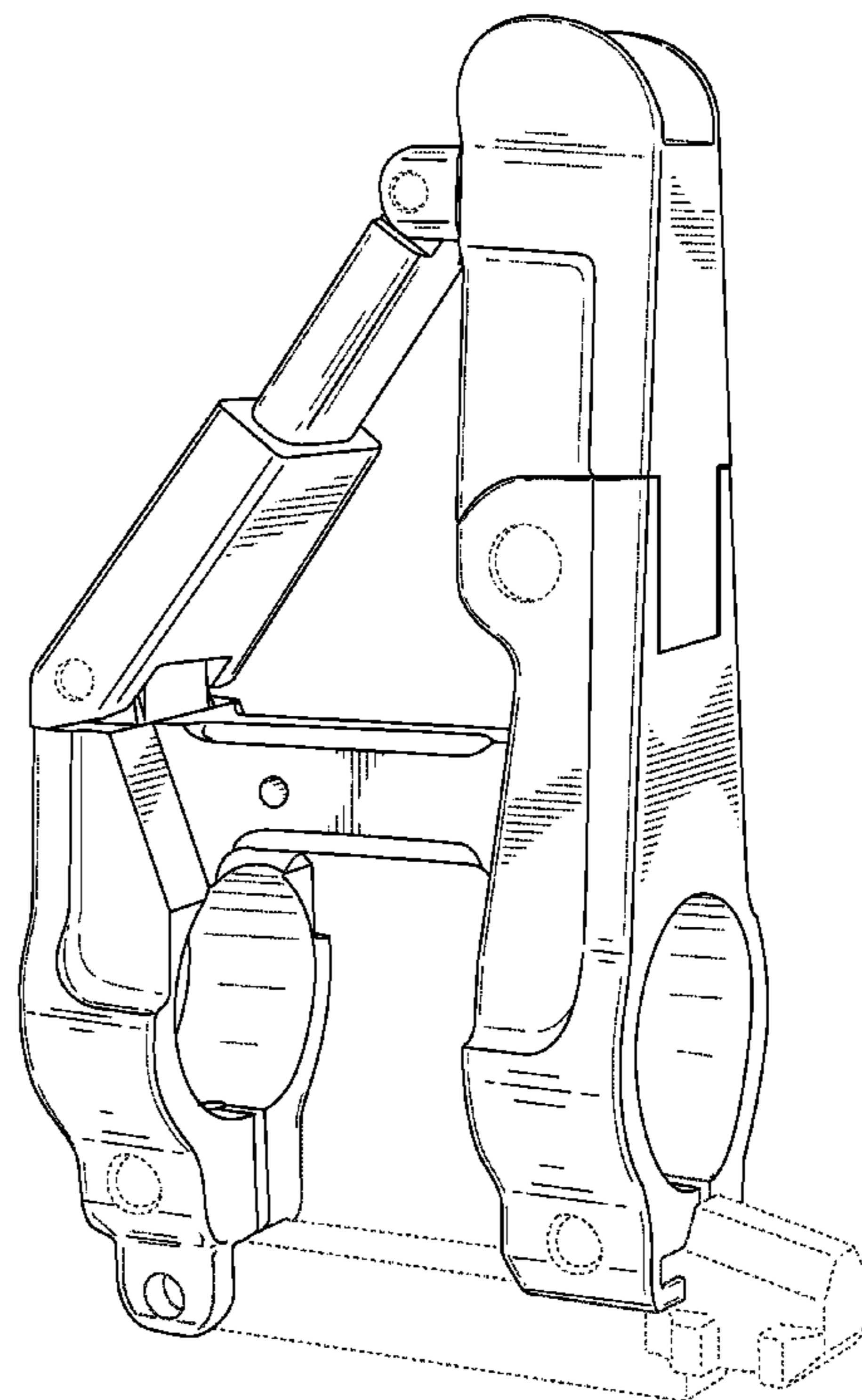
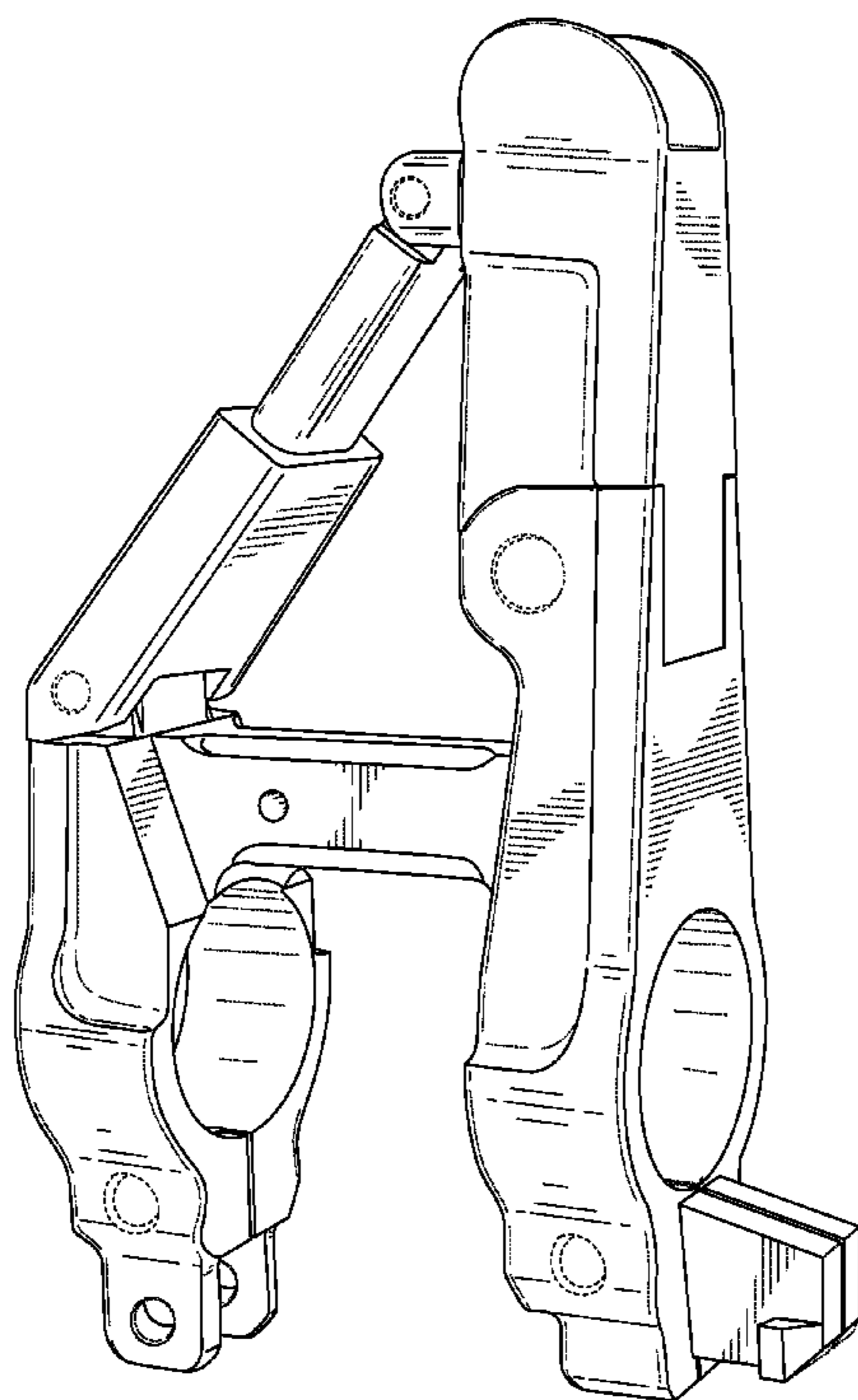
FIG. 13 is a rear view thereof;

FIG. 14 is a top view thereof; and,

FIG. 15 is a bottom view thereof.

The elements depicted in broken line in the various figures are included for environmental purposes only, and form no part of the claimed design.

1 Claim, 15 Drawing Sheets



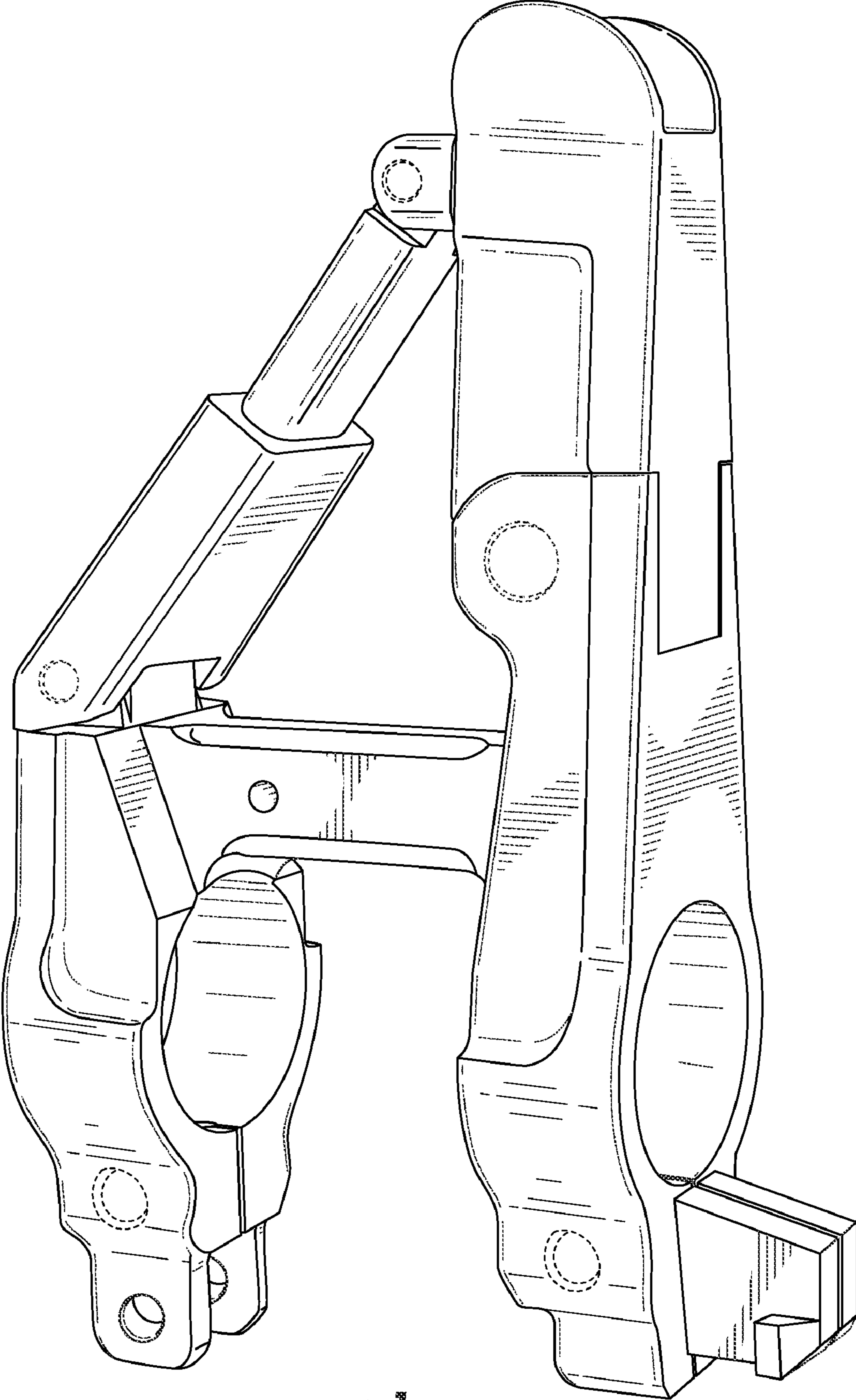


FIG. 1

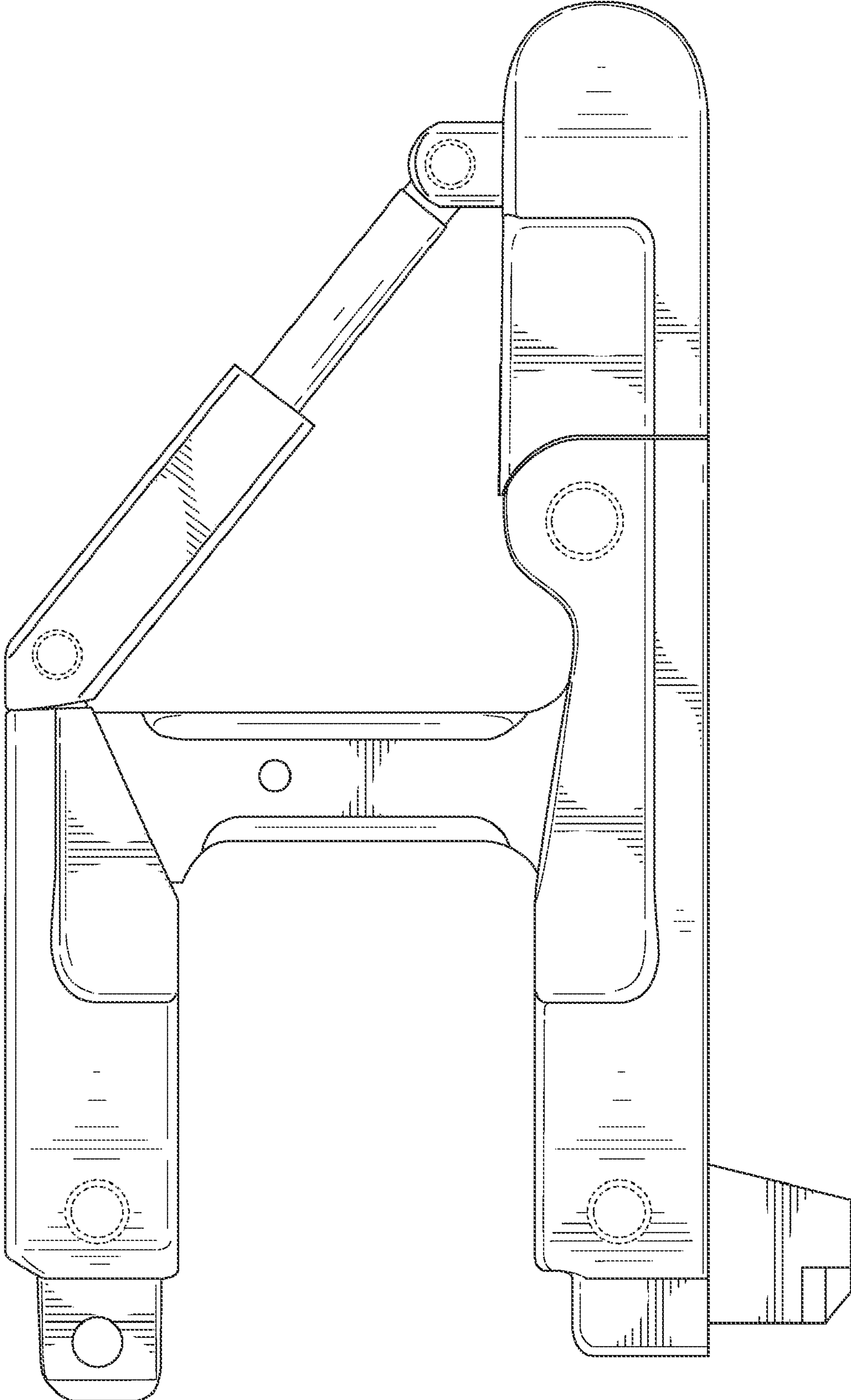


FIG. 2

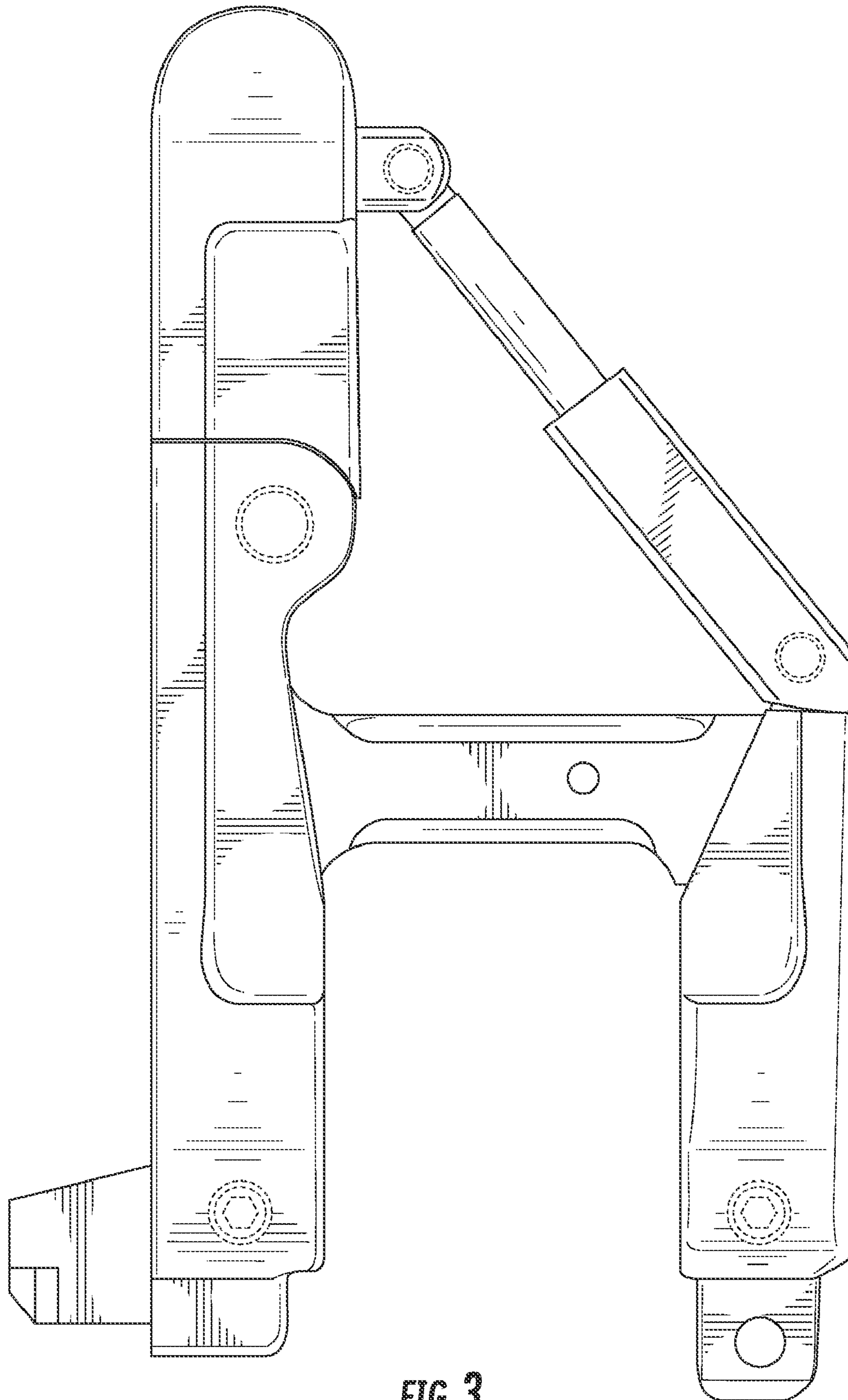


FIG. 3

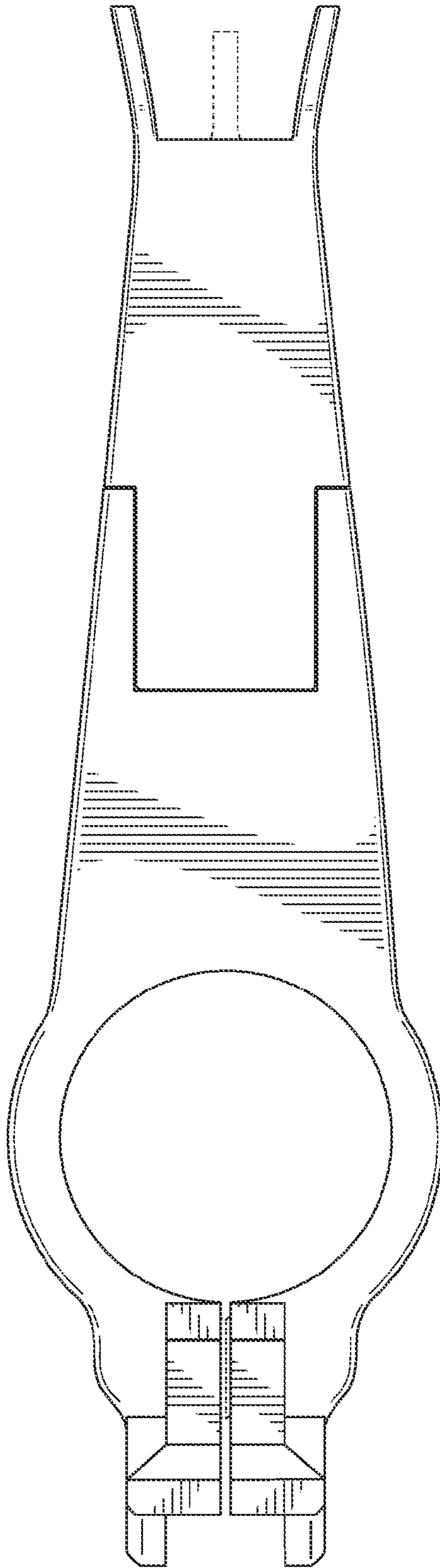


FIG. 4

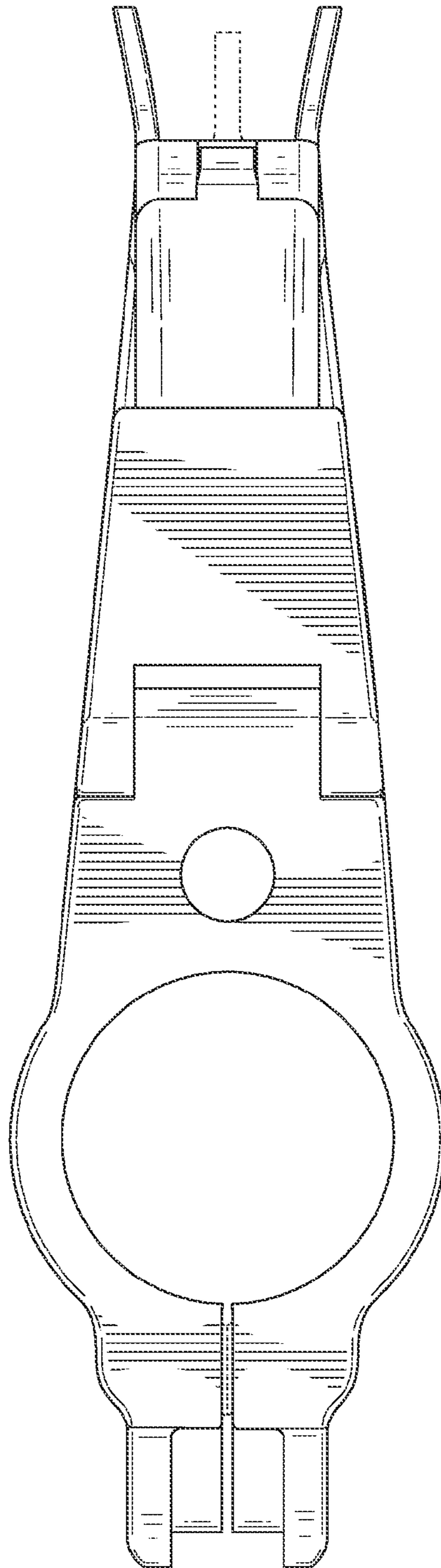


FIG. 5

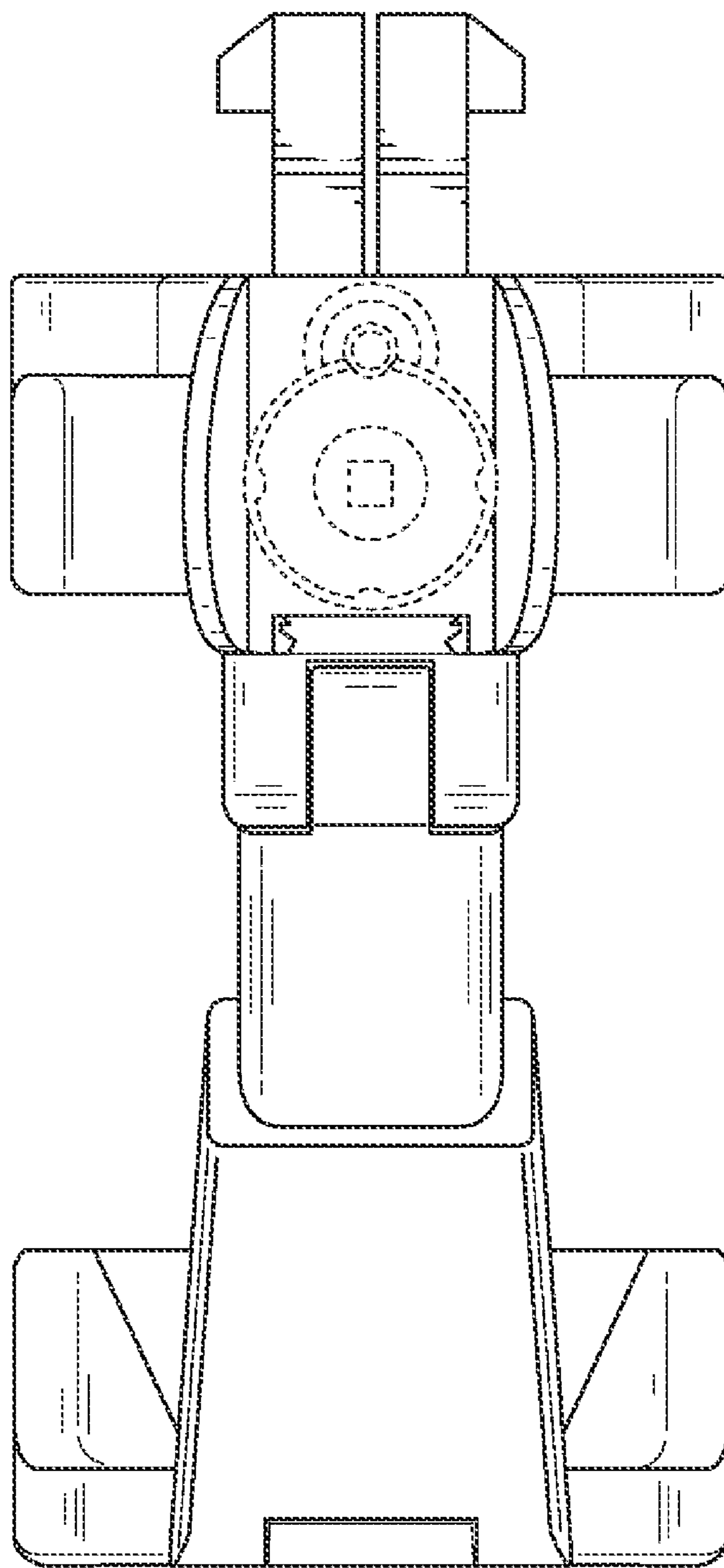


FIG. 6

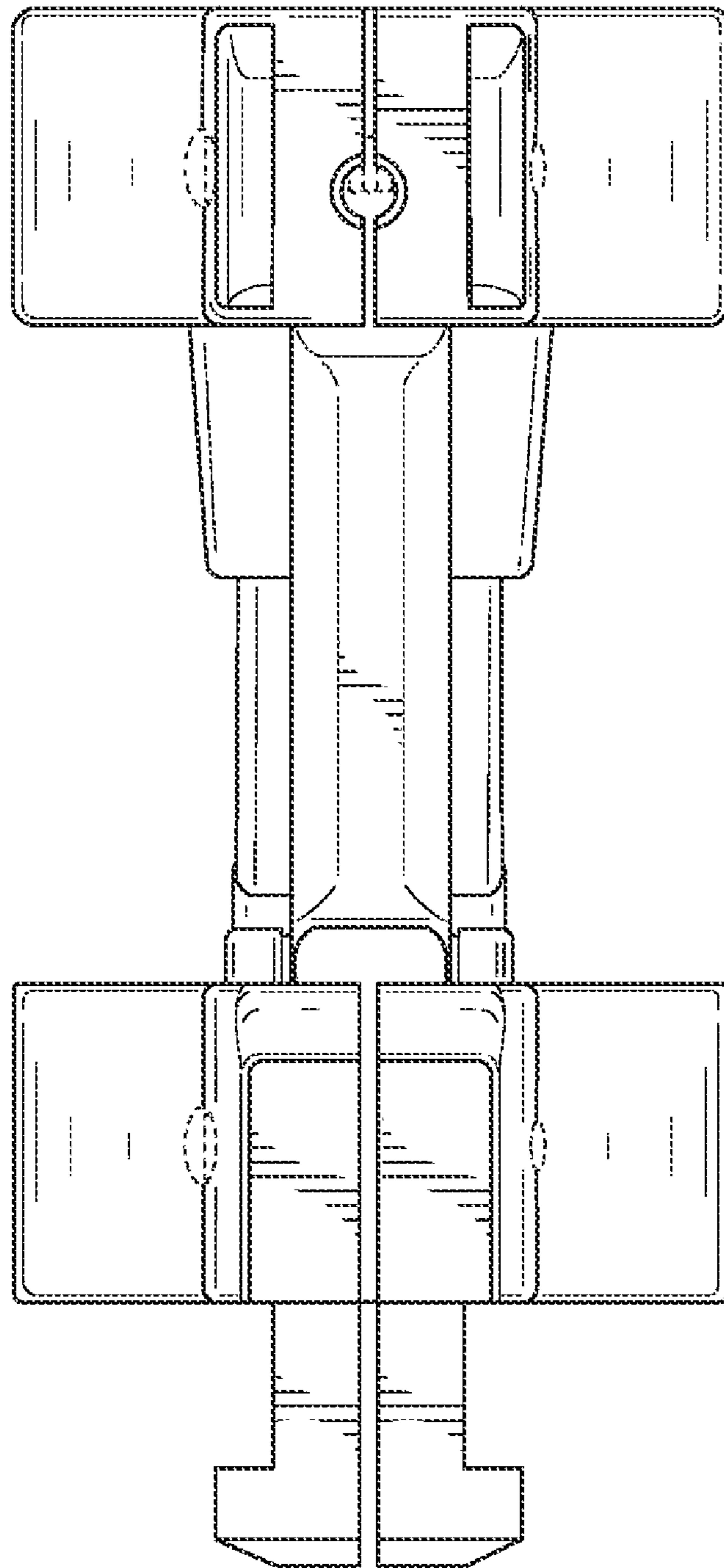


FIG. 7

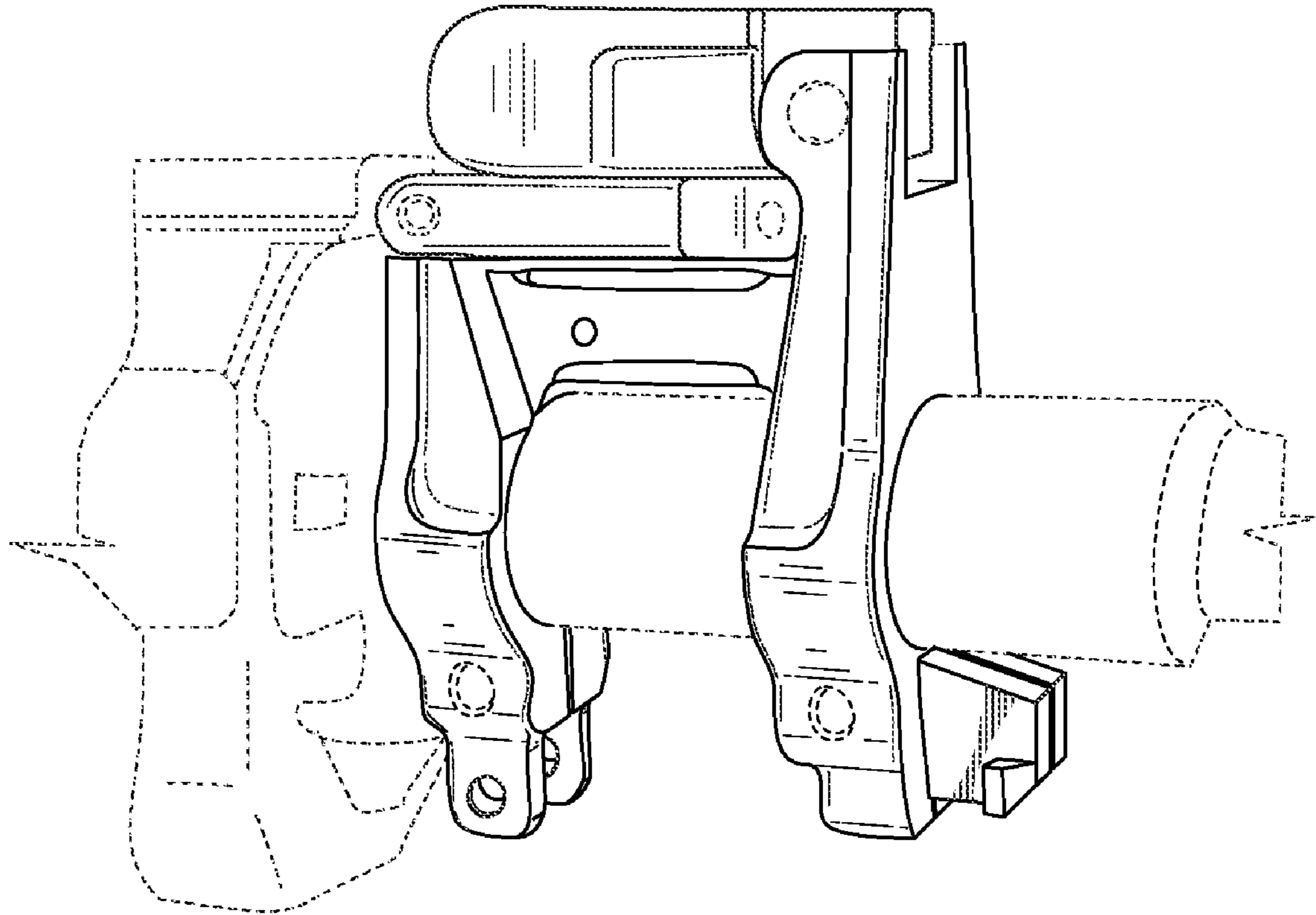


FIG. 8

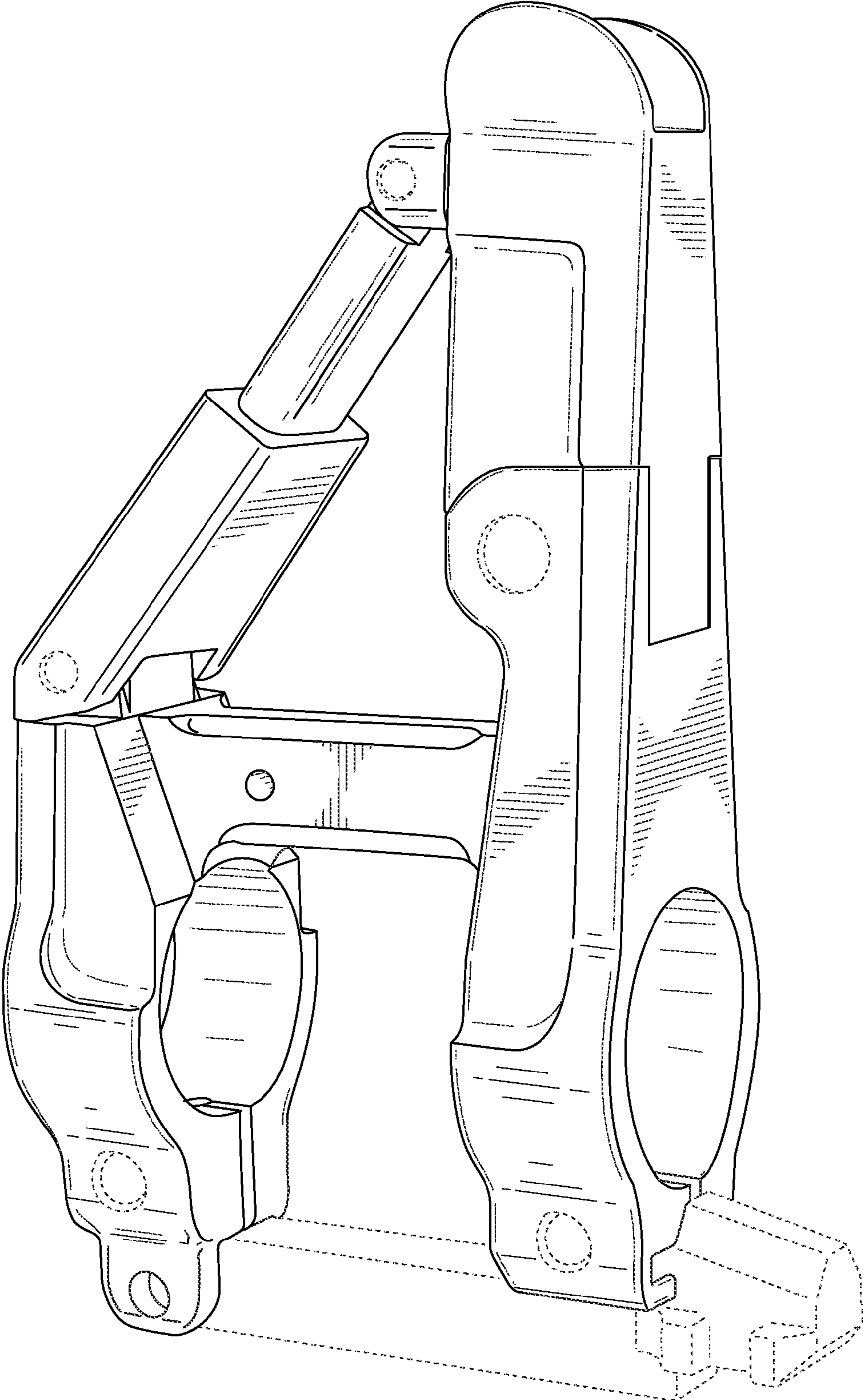


FIG. 9

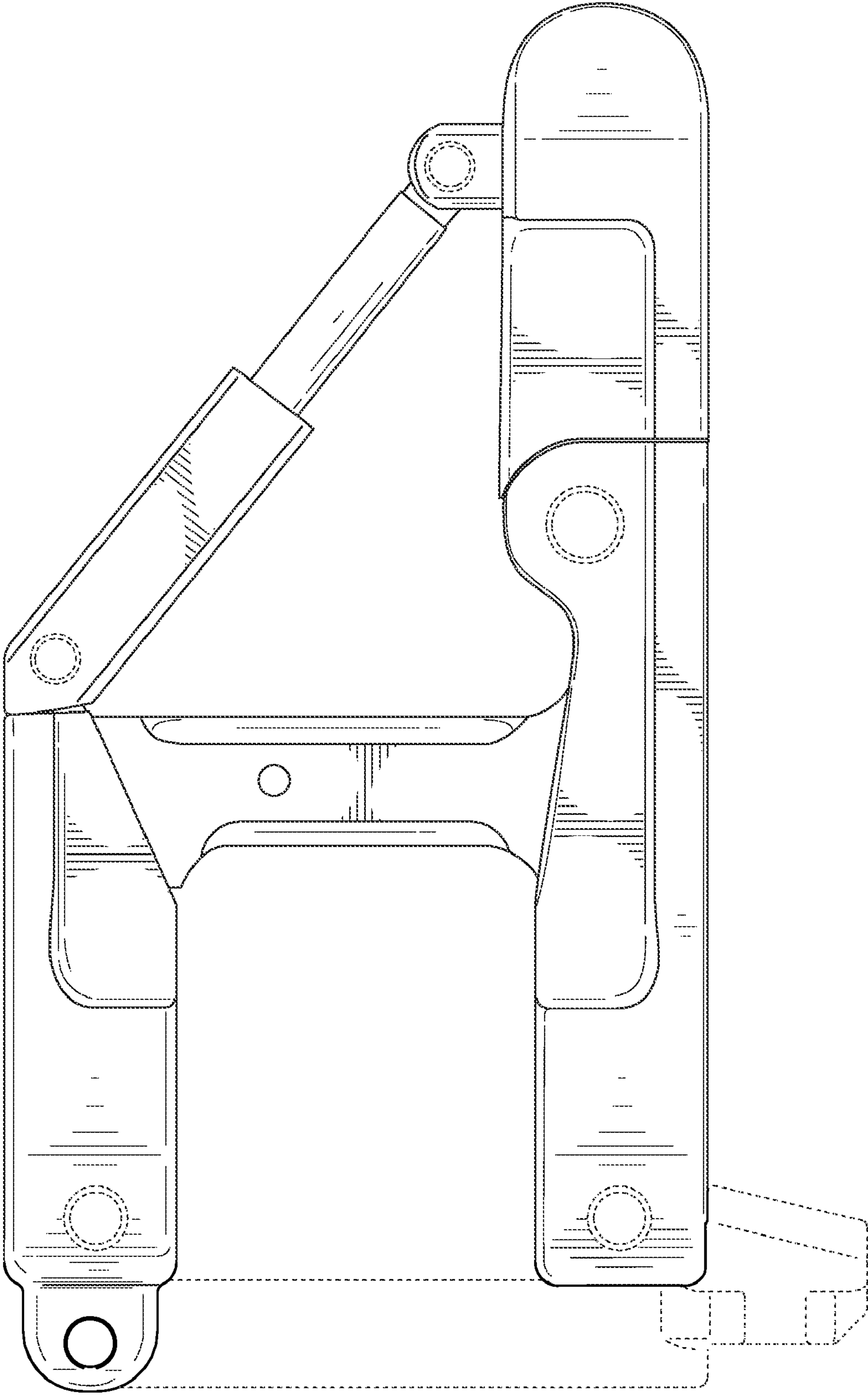


FIG. 10

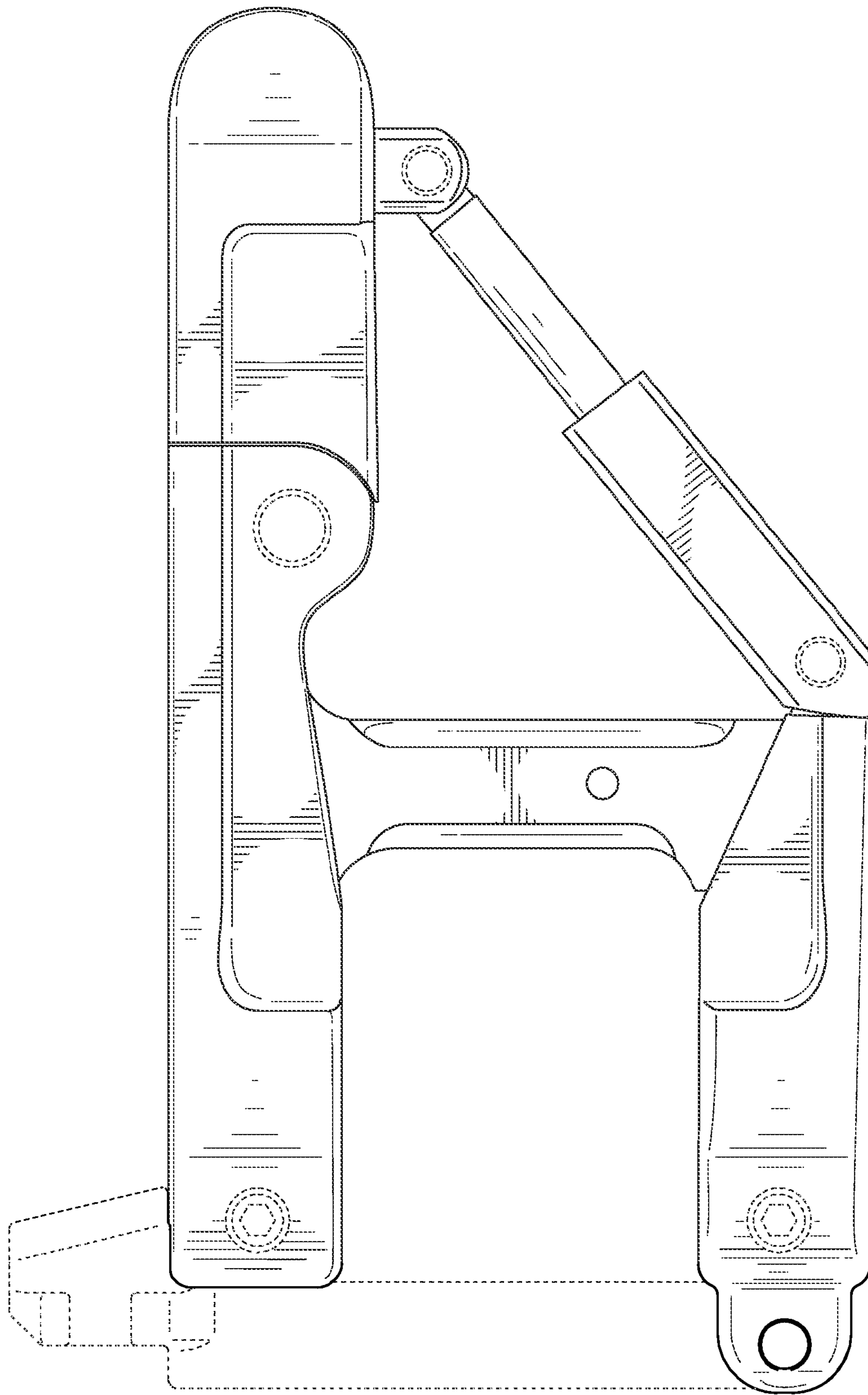


FIG. 11

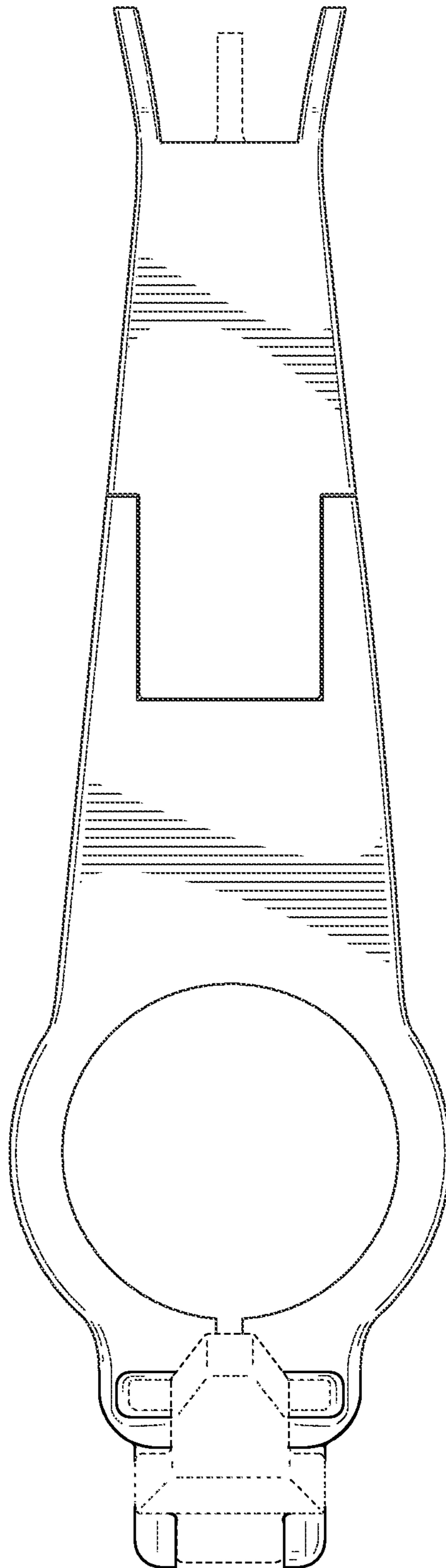


FIG. 12

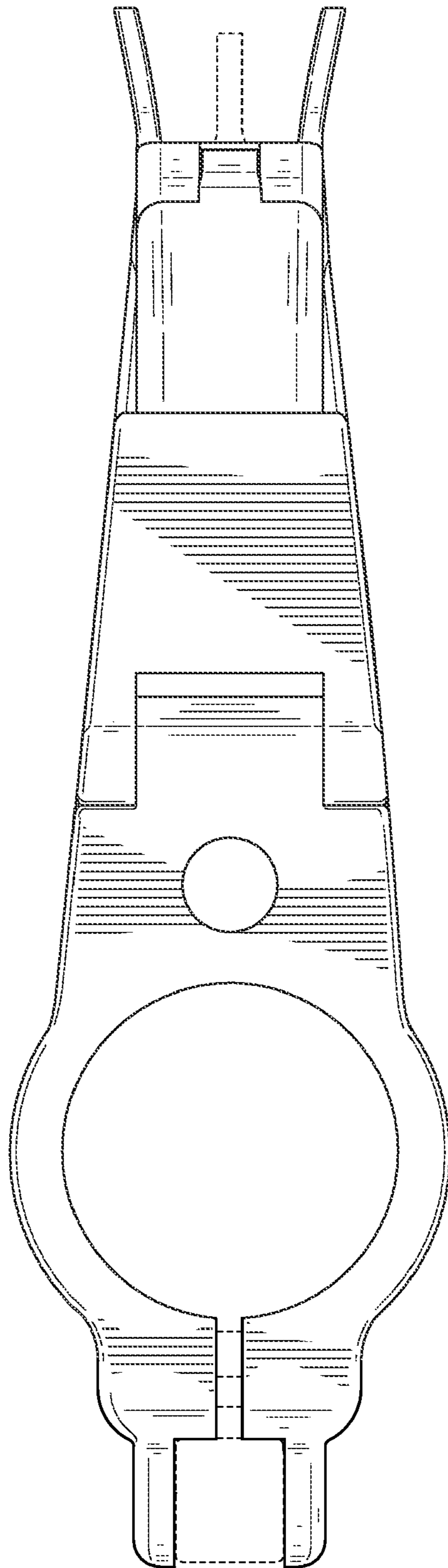


FIG. 13

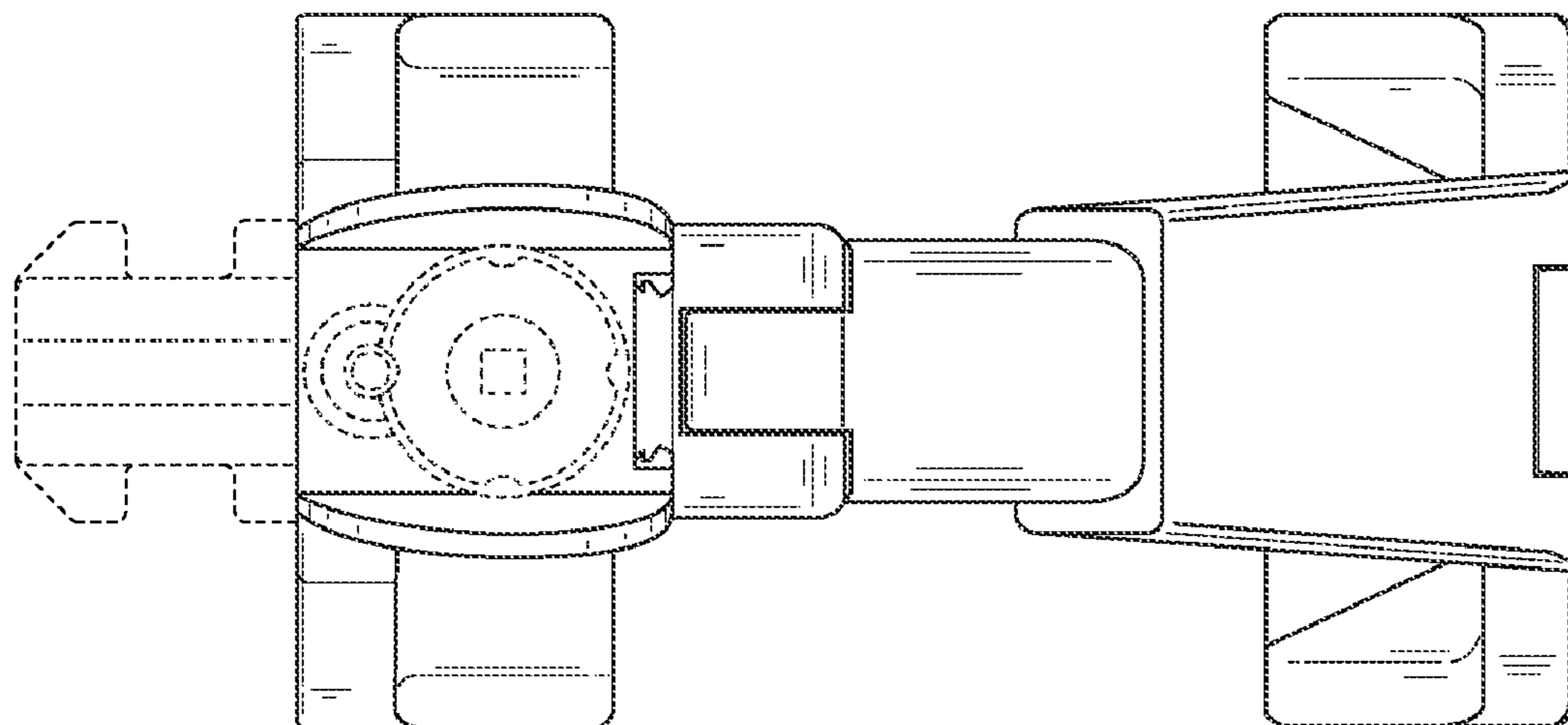


FIG. 14

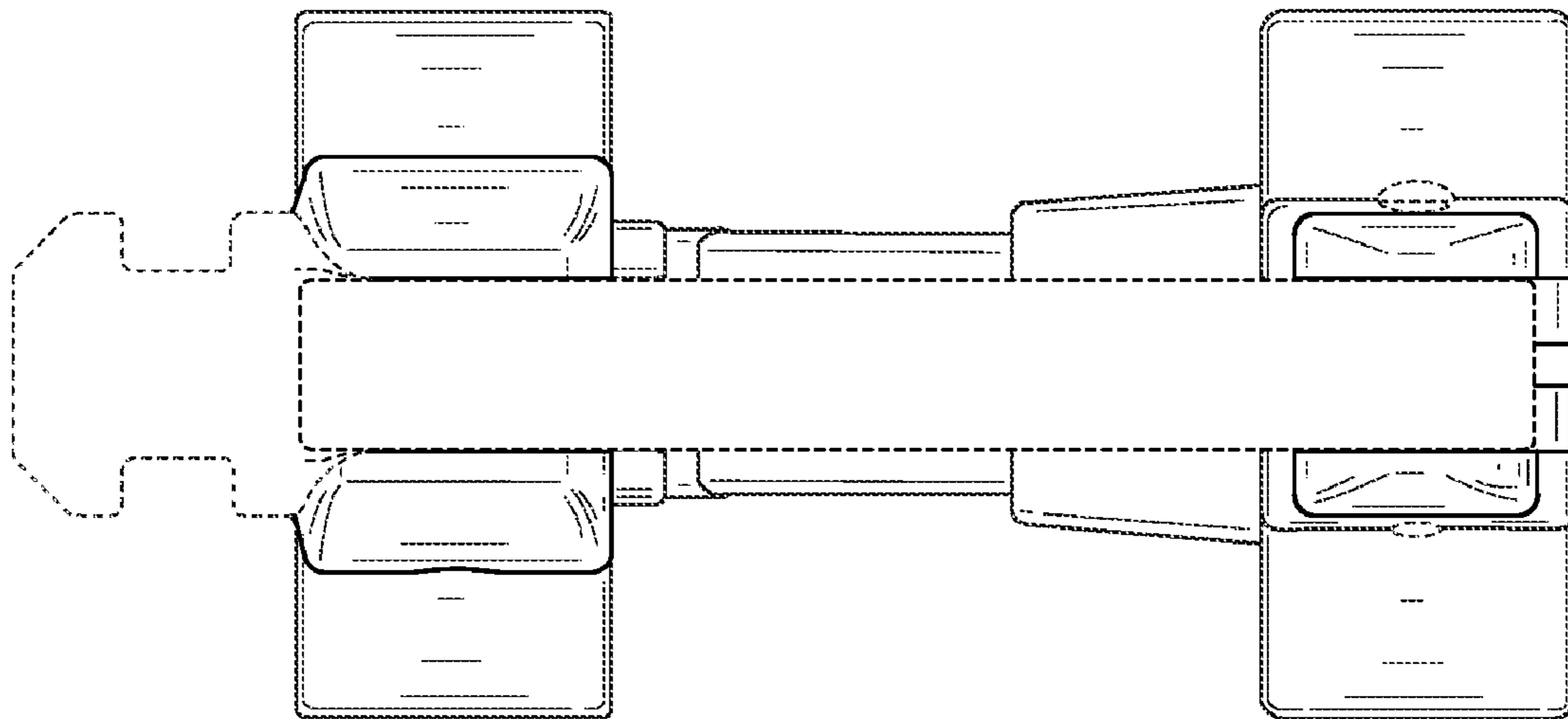


FIG. 15