



US00D588227S

(12) **United States Design Patent**
Swenson, III et al.

(10) **Patent No.:** **US D588,227 S**
(45) **Date of Patent:** **** Mar. 10, 2009**

(54) **MAGAZINE COUPLER**

(75) Inventors: **Severt Swenson, III**, Downers Grove, IL (US); **Scott Samson**, Whatley, MA (US)

(73) Assignee: **Thor Defense**, Downers Grove, IL (US)

(**) Term: **14 Years**

(21) Appl. No.: **29/319,334**

(22) Filed: **Jun. 6, 2008**

(51) **LOC (9) Cl.** **22-01**

(52) **U.S. Cl.** **D22/108**

(58) **Field of Classification Search** D22/108,
D22/199; 42/7, 75.02, 77, 85, 86, 90, 124,
42/126, 146; 89/14.2, 14.05, 190; 248/229.1
See application file for complete search history.

(56) **References Cited**

U.S. PATENT DOCUMENTS

4,299,044	A	11/1981	Johannsen	
4,484,404	A	11/1984	Johnson	
4,685,238	A	8/1987	Schoepflin	
D331,442	S *	12/1992	Bechtel	D22/110
D415,239	S *	10/1999	Fell et al.	D22/109
D433,478	S *	11/2000	Edgar	D22/108
6,668,479	B1	12/2003	Obong	
6,796,074	B1	9/2004	Obong	
D502,524	S *	3/2005	Fisher et al.	D22/108
D505,989	S *	6/2005	Oz	D22/108
7,073,285	B2	7/2006	Obong	
7,194,837	B2	3/2007	Obong	

OTHER PUBLICATIONS

R & S Tactical Gear, Tactical Mag Grip System Mag Clamps, http://www.rstacticalgear.com/products_printerfriendly.cfm?PID=838, Aug. 9, 2007.

Black Warrior Magazine Holder, johnmasen.com: Black warrior magazine holder, http://www.johnmasen.com/Merchant2/merchant.mvc?Screen=PROD&Store_Code=J&Prod..., Aug. 9, 2007.
TZ-2 M16/AR15/AK47/Galil Magazine Coupler, TZ-2 M16/AR15/AK47/Galil Magazine Coupler: Mako Security, Inc., "http://www.makosecurity.com/Merchant2/merchant.mvc?Screen=PROD&Product_Code=T..." Aug. 9, 2007.
Buffer Tech Mag Cinchs, "http://www.buffertech.com/stores/1/MAG_CINCHs_C3.cfm" Aug. 9, 2007.

* cited by examiner

Primary Examiner—Cathron C Brooks

Assistant Examiner—Melanie Levy

(74) *Attorney, Agent, or Firm*—Barlow, Josephs & Holmes, Ltd.

(57) **CLAIM**

The ornamental design for a magazine coupler, as shown and described.

DESCRIPTION

FIG. 1 is a front perspective view of a magazine coupler showing our new design;

FIG. 2 is an exploded view thereof;

FIG. 3 is a front view thereof, a rear view being a mirror image thereof;

FIG. 4 is a rear perspective view thereof;

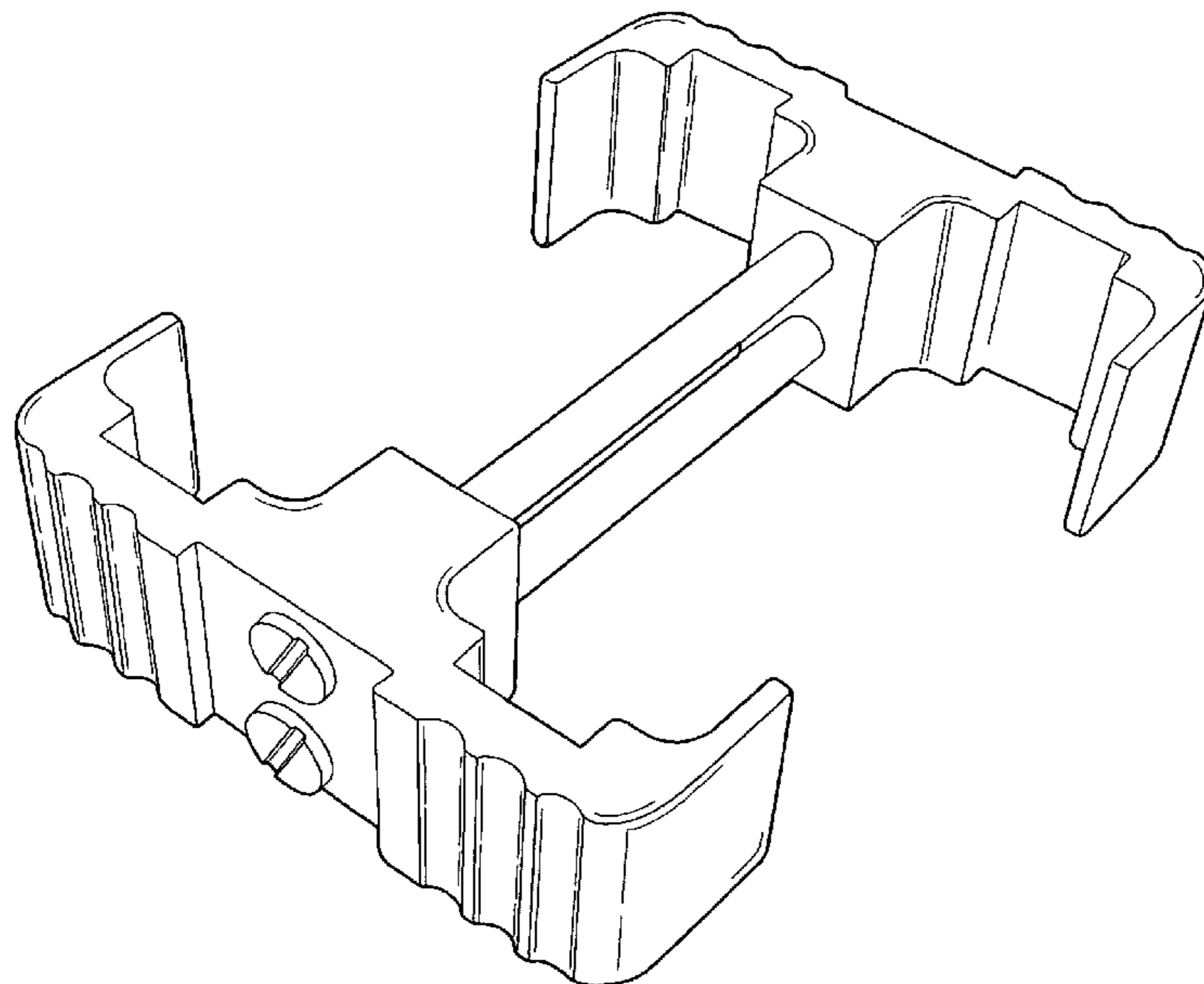
FIG. 5 is a top view thereof;

FIG. 6 is a bottom view thereof; and,

FIG. 7 is a left side view thereof, a right side view being a mirror image thereof.

The broken line showing of magazine clips forms no part of the claimed design.

1 Claim, 7 Drawing Sheets



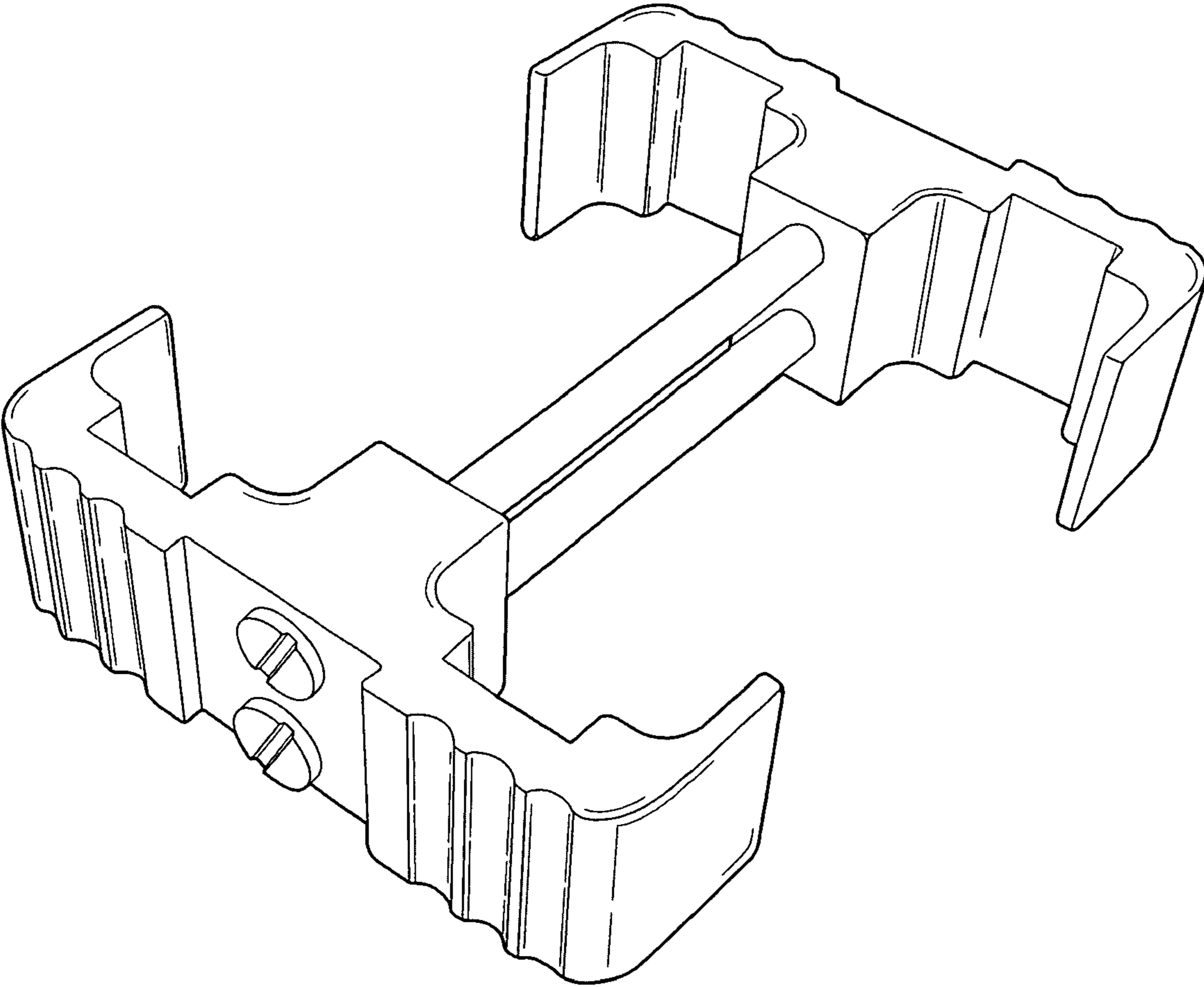


Fig. 1

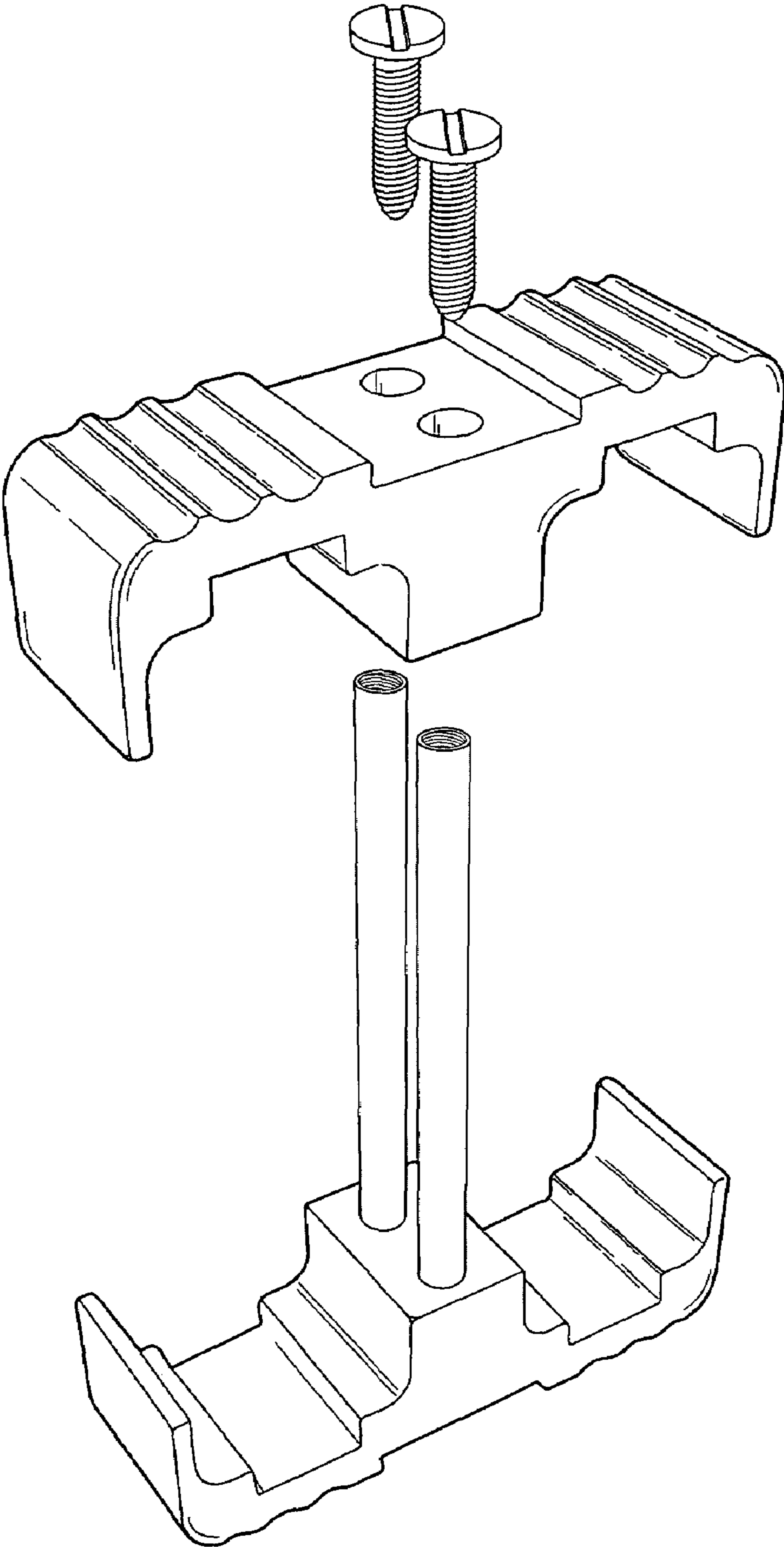


Fig. 2

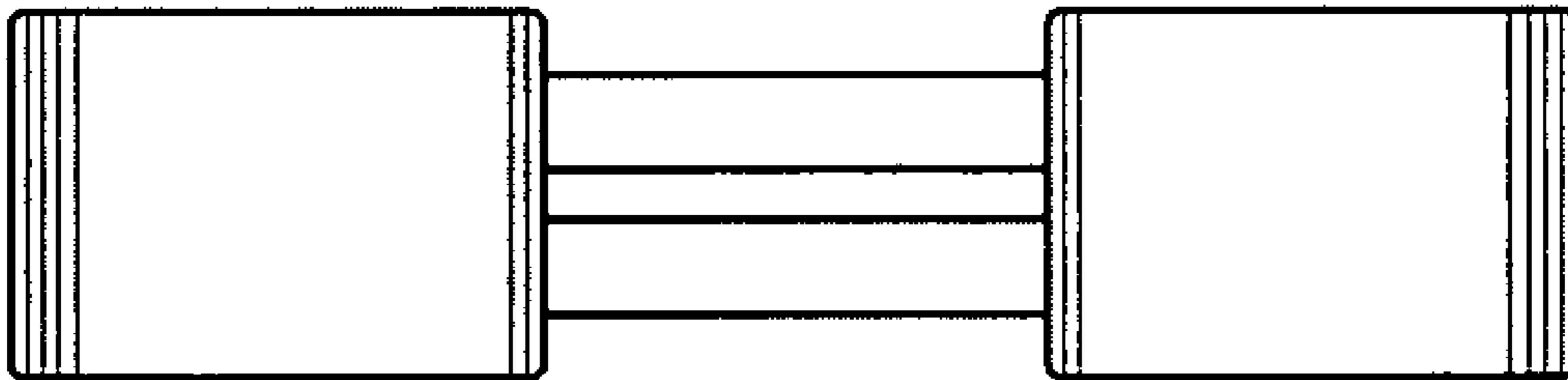


Fig. 3

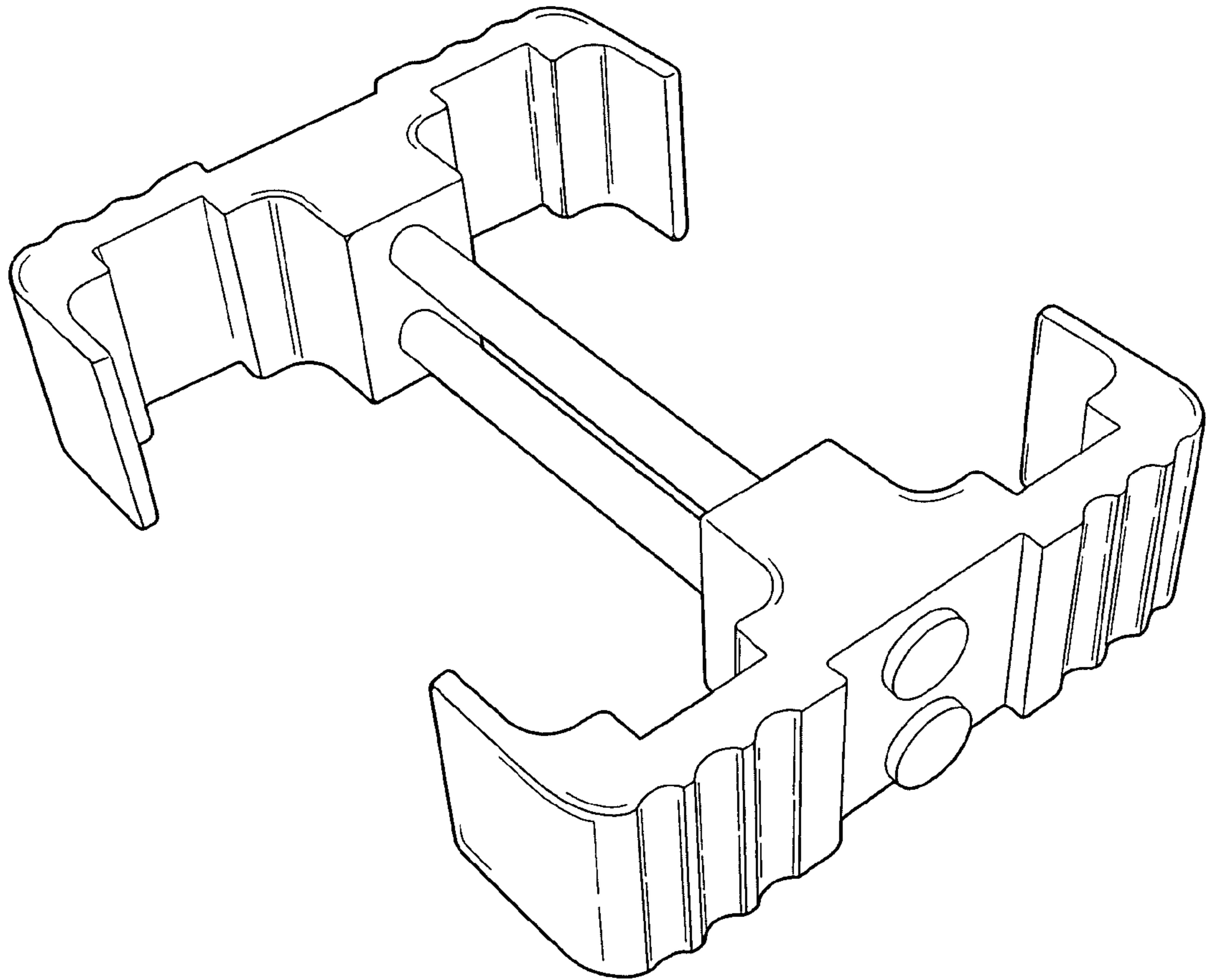


Fig. 4

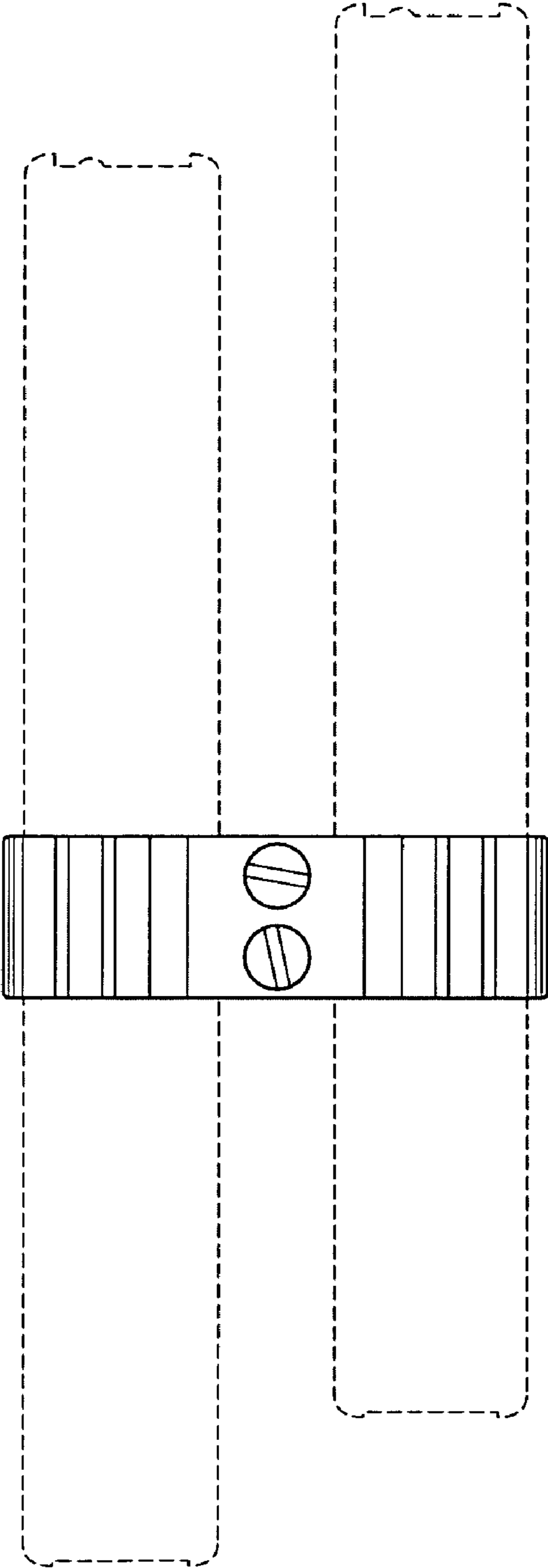


Fig. 5

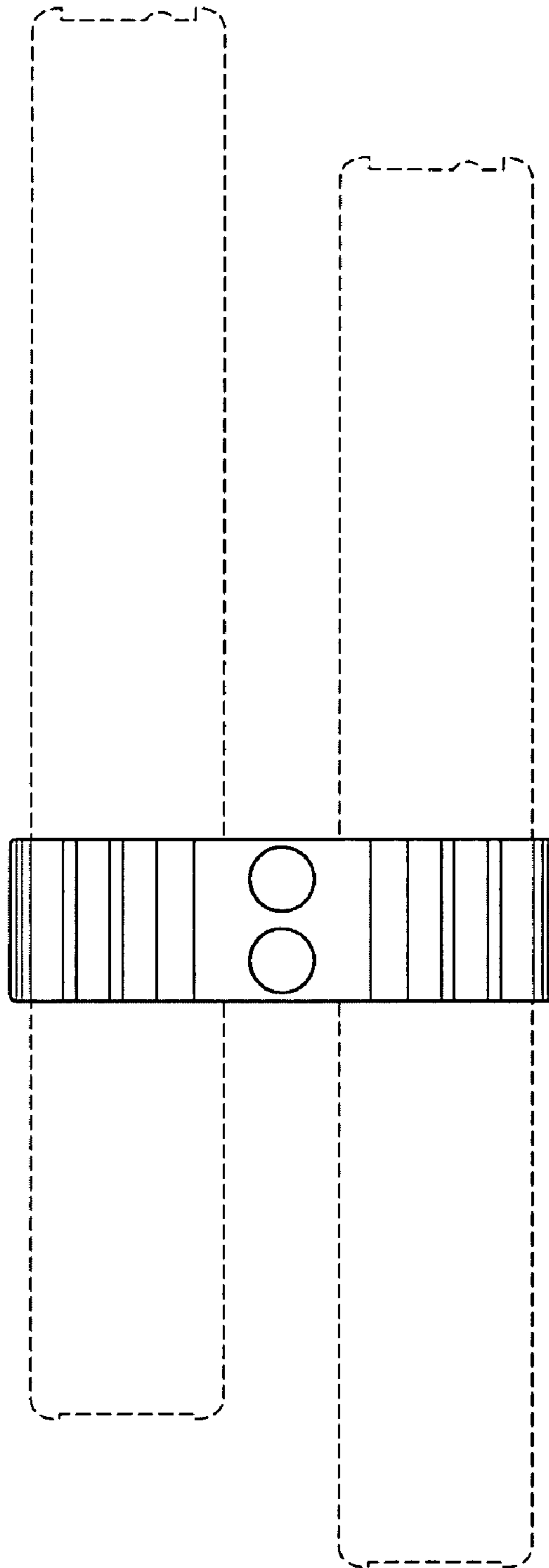


Fig. 6

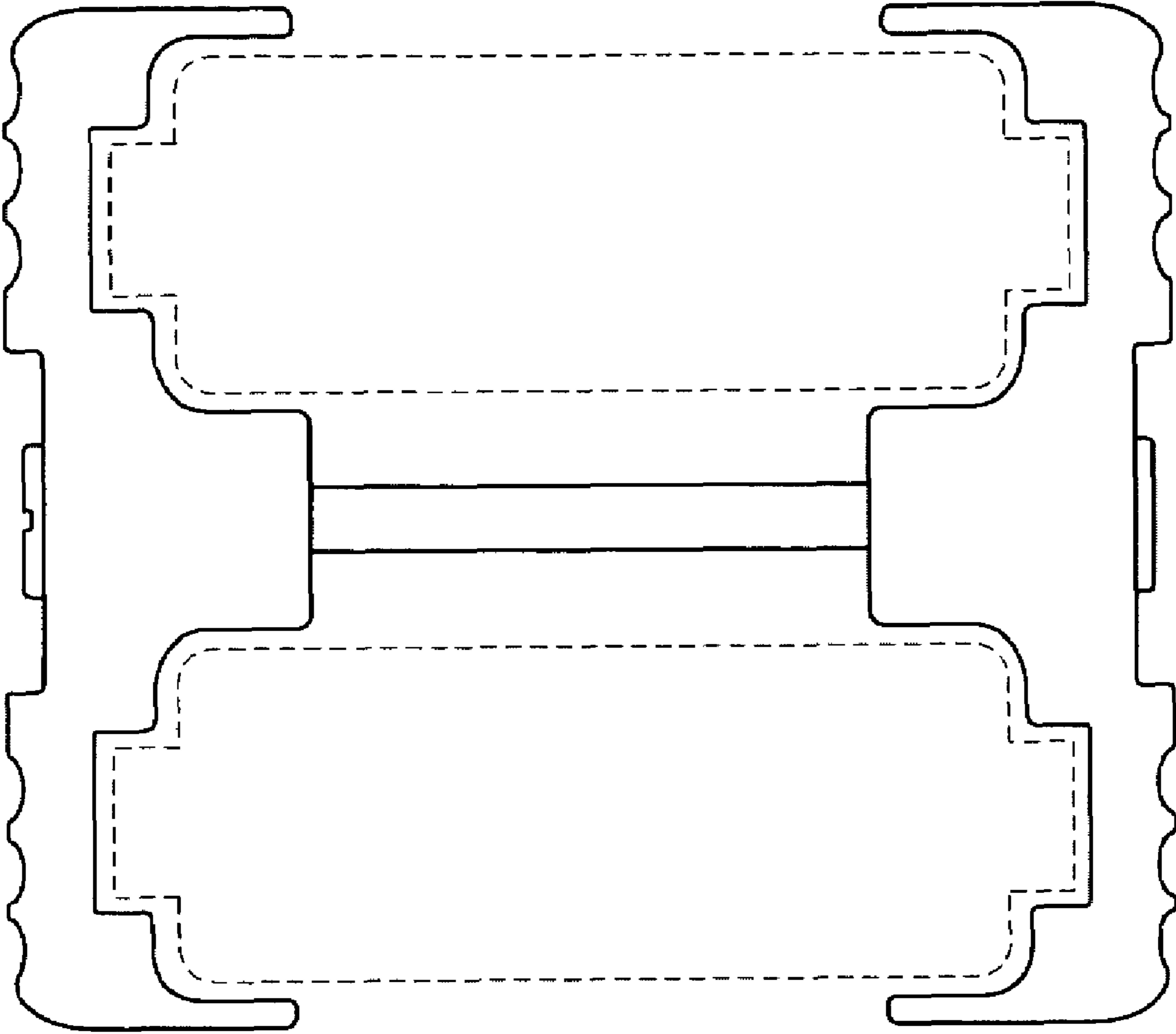


Fig. 7