



US00D588222S

(12) **United States Design Patent**  
**Takahashi**

(10) **Patent No.:** **US D588,222 S**  
(45) **Date of Patent:** **\*\* Mar. 10, 2009**

(54) **PUTTER HEAD**

D500,823 S \* 1/2005 Aldrich ..... D21/759  
D570,934 S \* 6/2008 Ban et al. .... D21/744

(75) Inventor: **Hiroshi Takahashi**, Chichibu (JP)

FOREIGN PATENT DOCUMENTS

(73) Assignee: **Bridgestone Sports Co., Ltd**, Tokyo (JP)

JP 488476 11/1978  
JP 488476 S 11/1978  
JP 1084113 S 6/2000  
JP 1084113 S 9/2000

(\*\*) Term: **14 Years**

\* cited by examiner

(21) Appl. No.: **29/305,416**

*Primary Examiner*—Mitchell I Siegel

(22) Filed: **Mar. 20, 2008**

(74) *Attorney, Agent, or Firm*—Sughrue Mion, PLLC

(30) **Foreign Application Priority Data**

Oct. 15, 2007 (JP) ..... 2007-028215

(57) **CLAIM**

(51) **LOC (9) Cl.** ..... **21-02**

The ornamental design for putter head, as shown and described.

(52) **U.S. Cl.** ..... **D21/759**

**DESCRIPTION**

(58) **Field of Classification Search** ..... D21/736–746,  
D21/759; 473/324–331, 340–341  
See application file for complete search history.

FIG. 1 is a perspective view of putter head embodying my new design;

(56) **References Cited**

U.S. PATENT DOCUMENTS

1,289,553 A 12/1918 Sanders  
D190,035 S 4/1961 Hansen  
D200,585 S 3/1965 Cefaly  
3,260,525 A 7/1966 Ortel  
D246,865 S 1/1978 Krysakowski  
4,067,572 A 1/1978 Coleman  
D351,443 S 10/1994 Caugh et al.  
5,637,044 A \* 6/1997 Swash ..... 473/331  
D385,935 S 11/1997 Cameron  
D389,207 S 1/1998 Cameron  
D458,331 S \* 6/2002 Wahl et al. .... D21/759  
D485,331 S 1/2004 Lin

FIG. 2 is a front view thereof;

FIG. 3 is a rear view thereof;

FIG. 4 is a left side view thereof;

FIG. 5 is a right side view thereof;

FIG. 6 is a top plan view thereof;

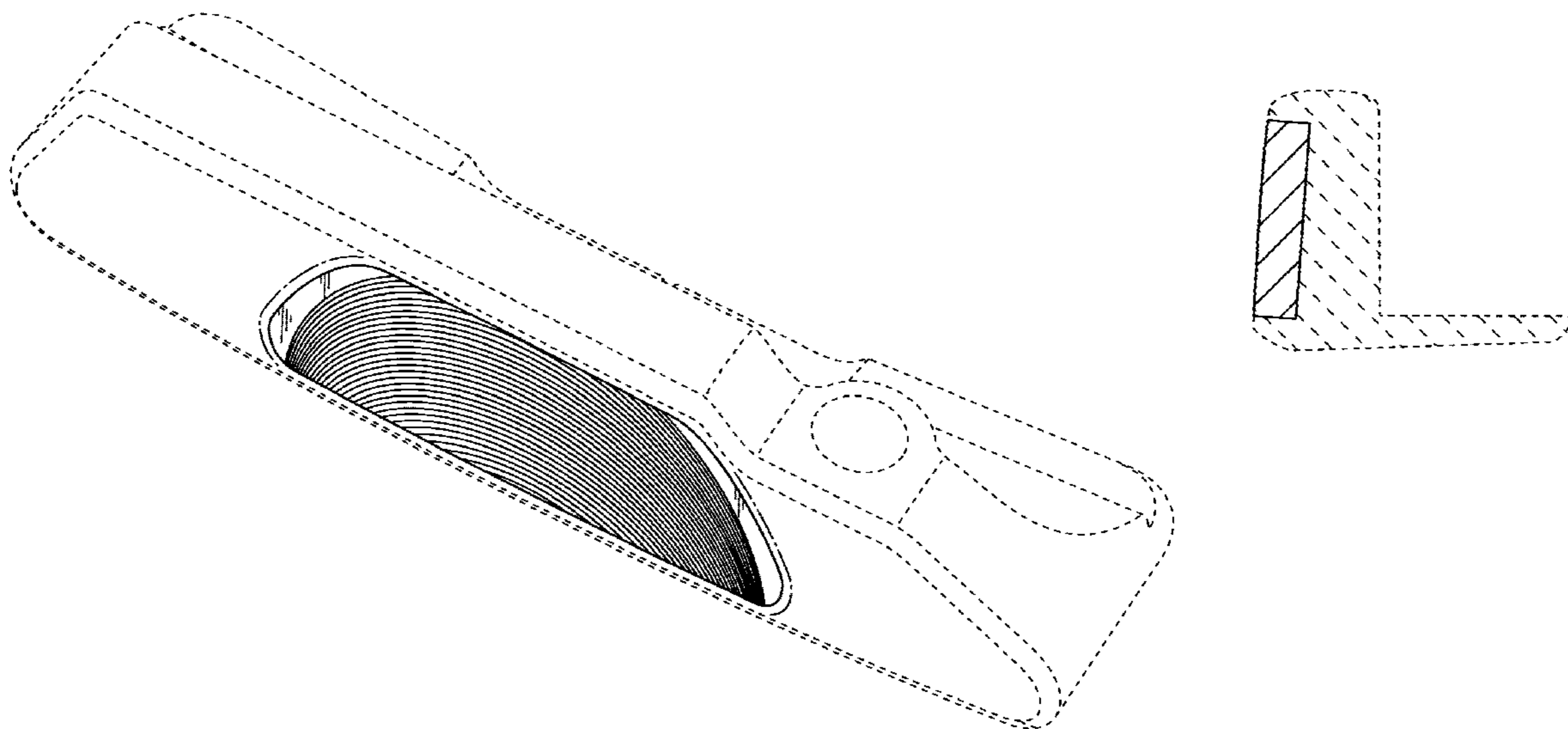
FIG. 7 is a bottom view thereof;

FIG. 8 is a sectional view taken in line 8—8 of FIG. 2; and,

FIG. 9 is a partially enlarged front view thereof.

The broken line showing is included for the purpose of illustrating and forms no part of the claimed design.

**1 Claim, 5 Drawing Sheets**



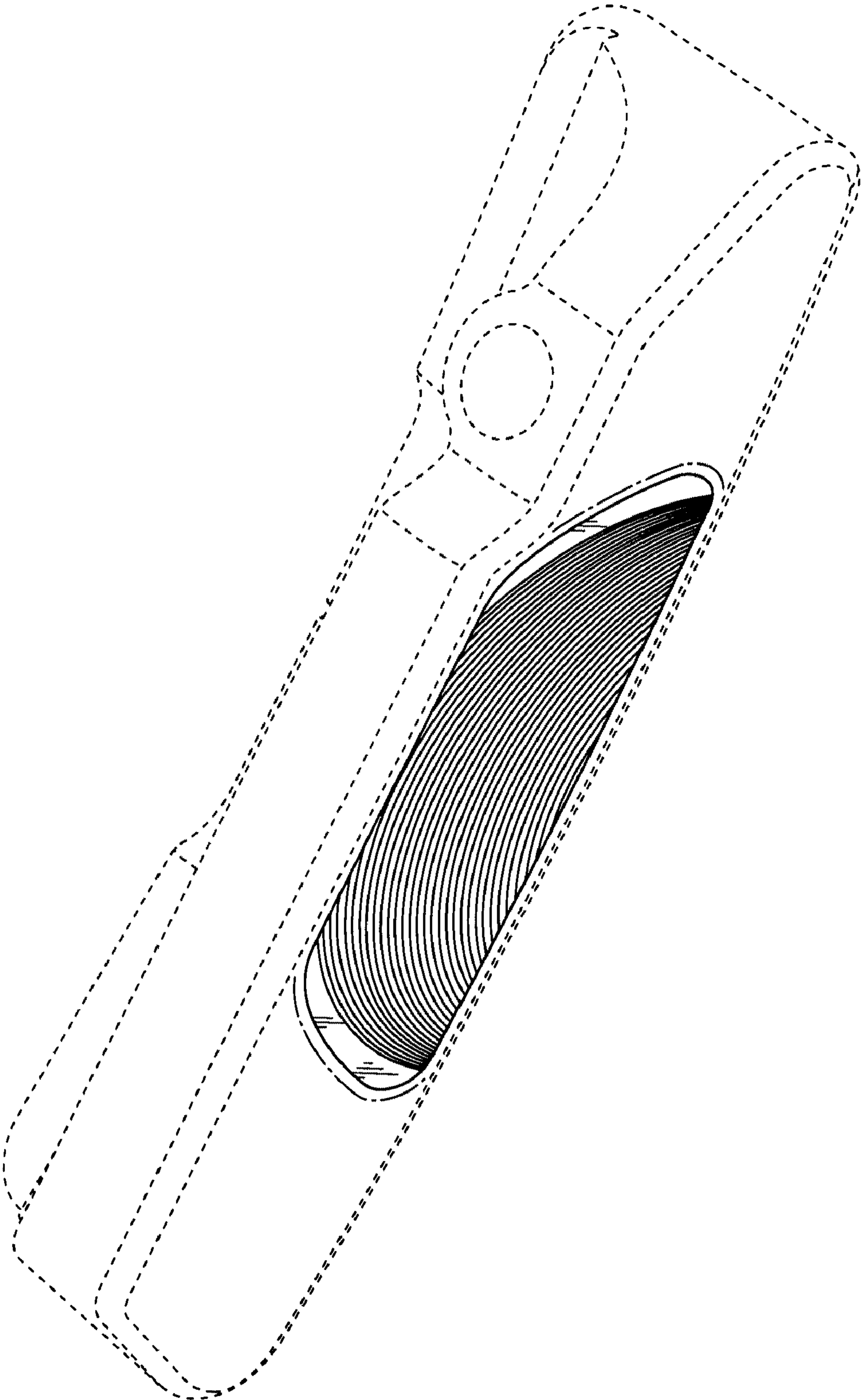


FIG. 1

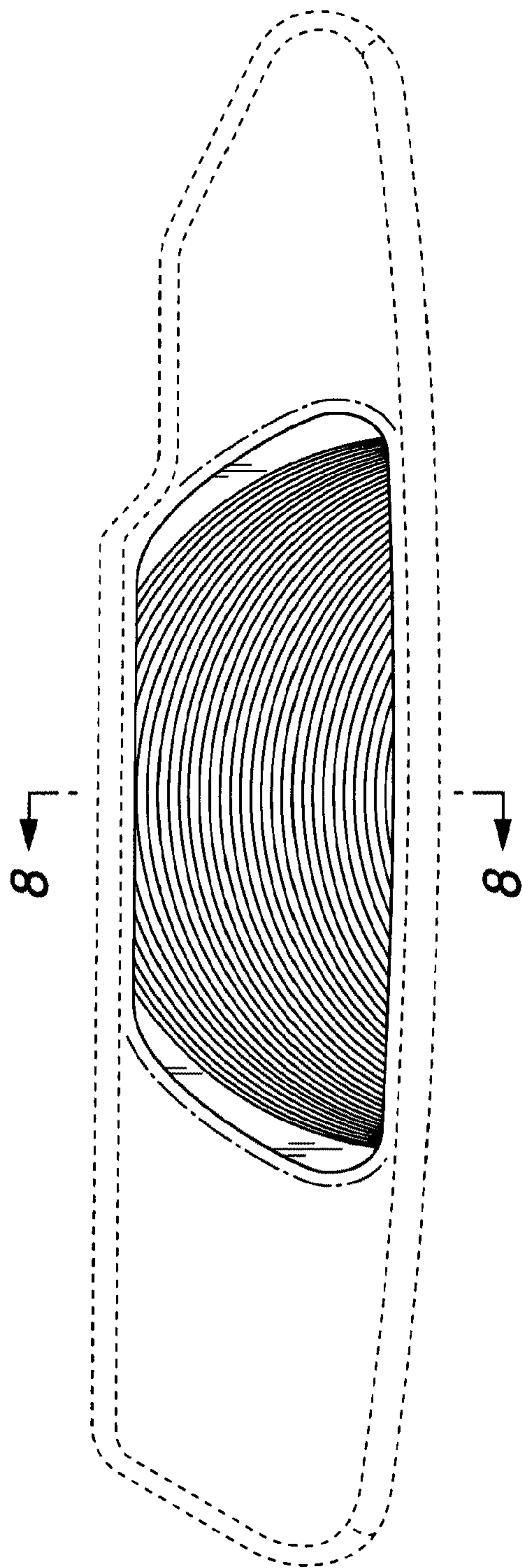


FIG. 2

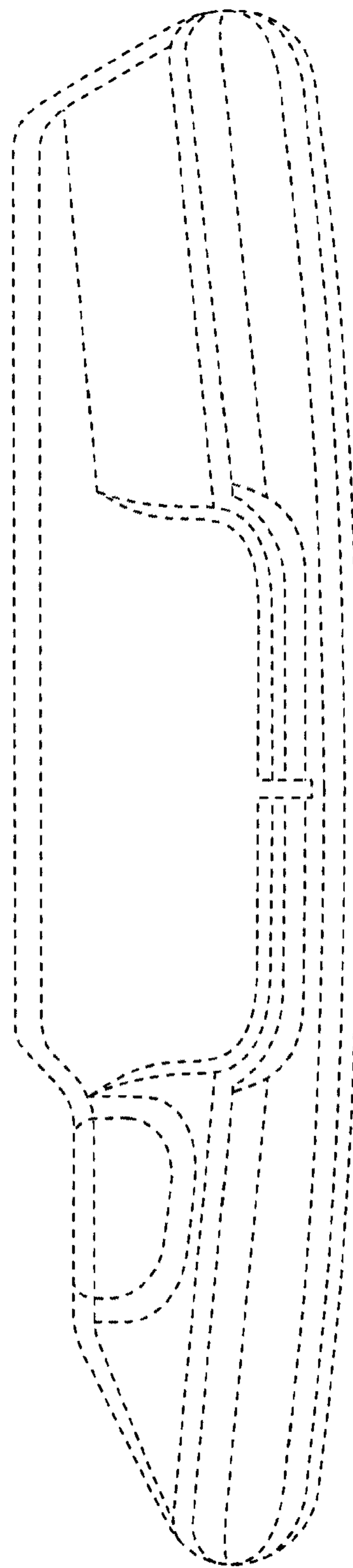
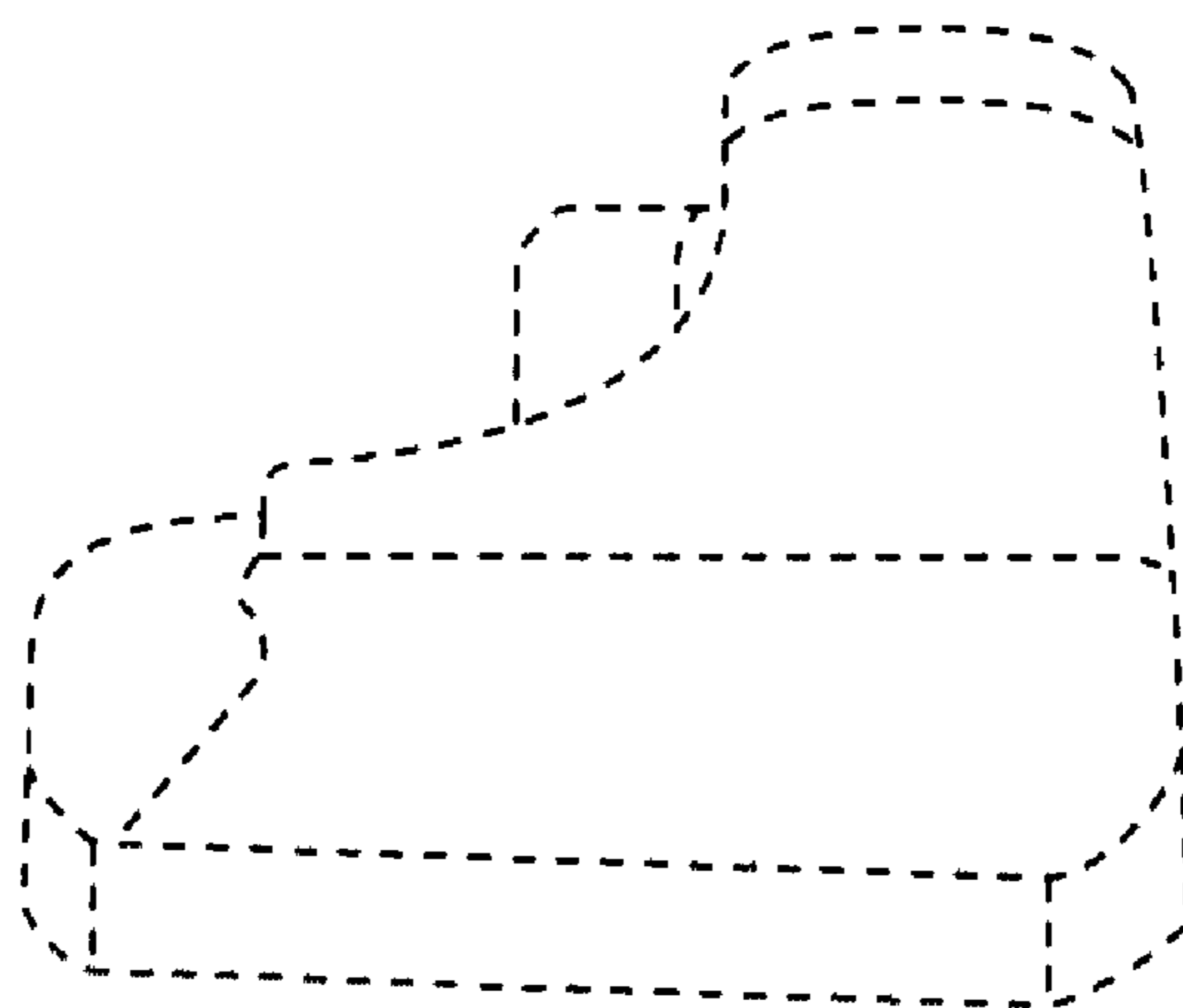
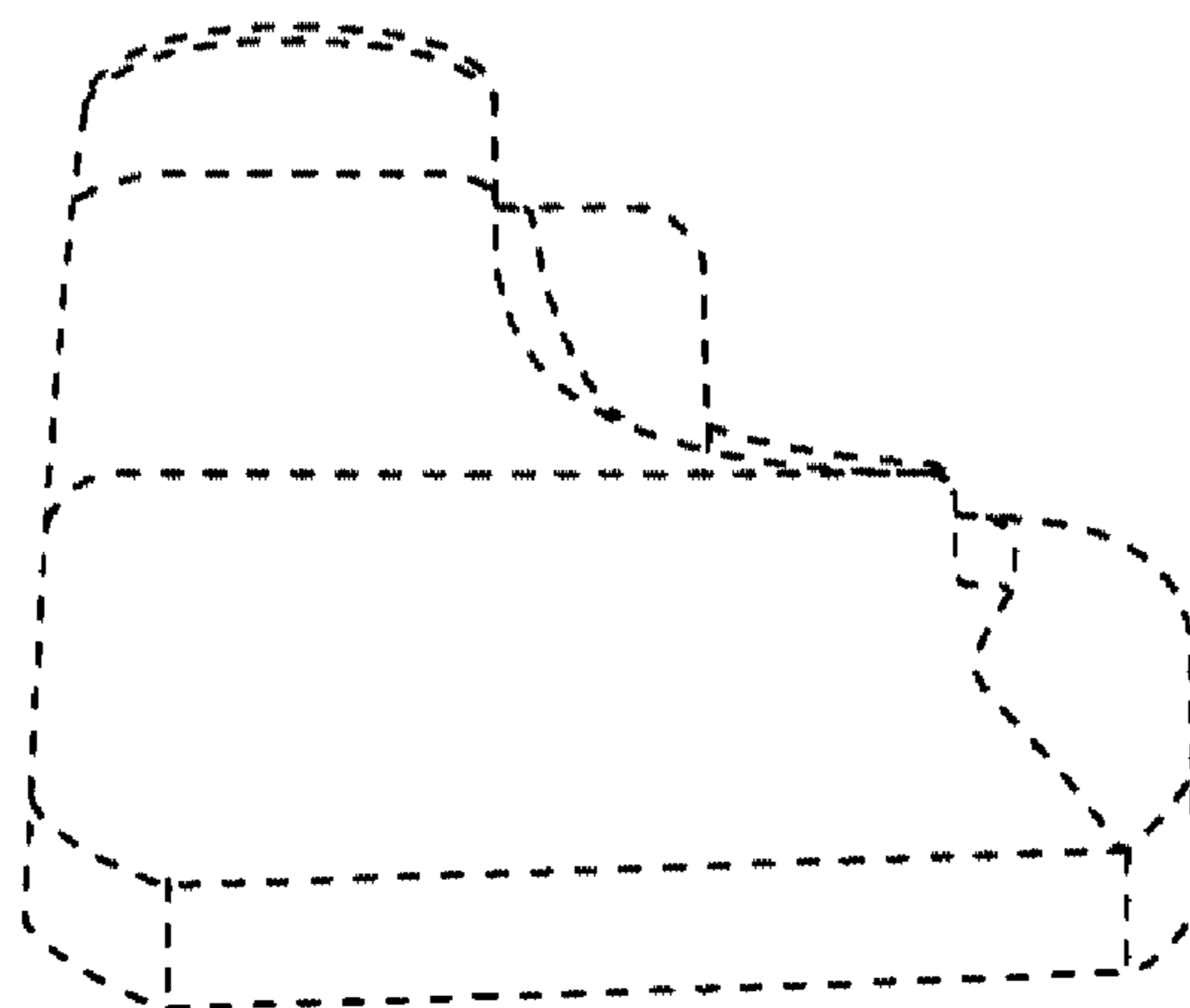


FIG. 3



**FIG. 4**



**FIG. 5**

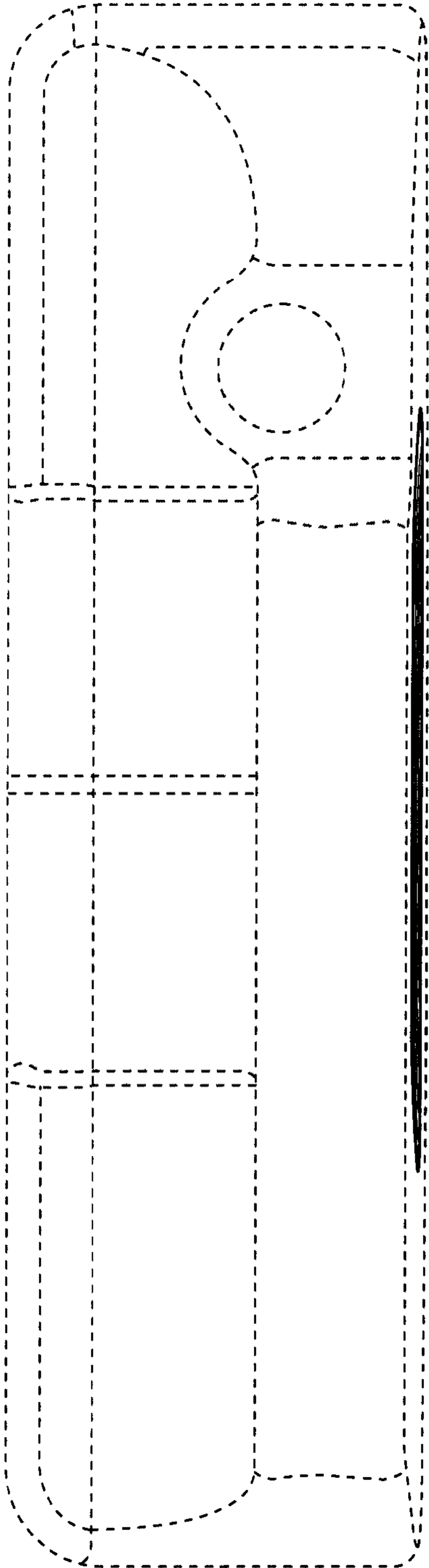


FIG. 6

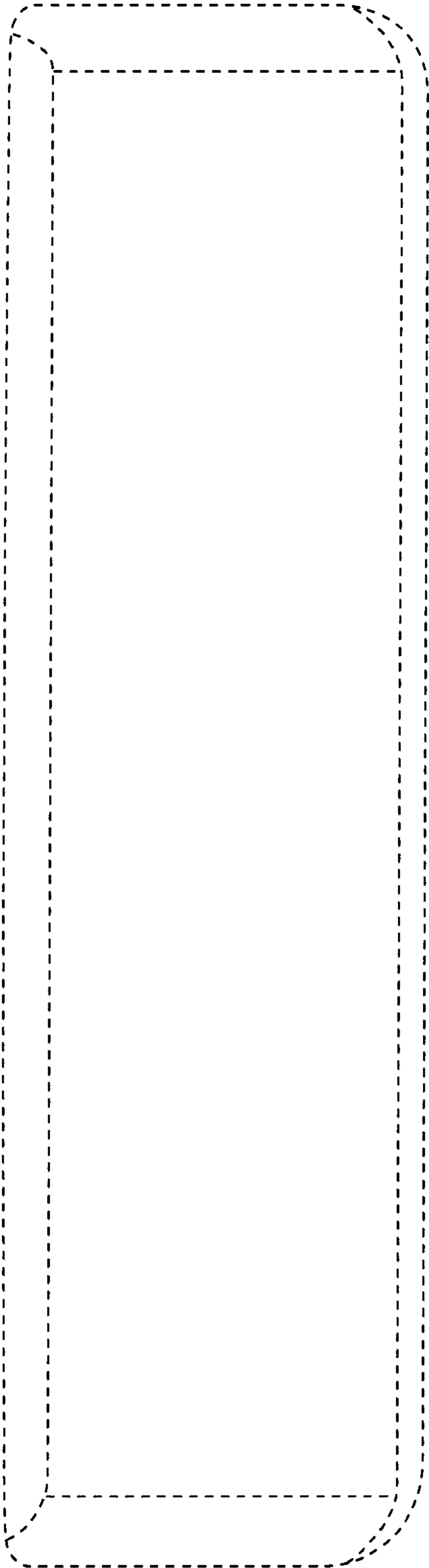


FIG. 7

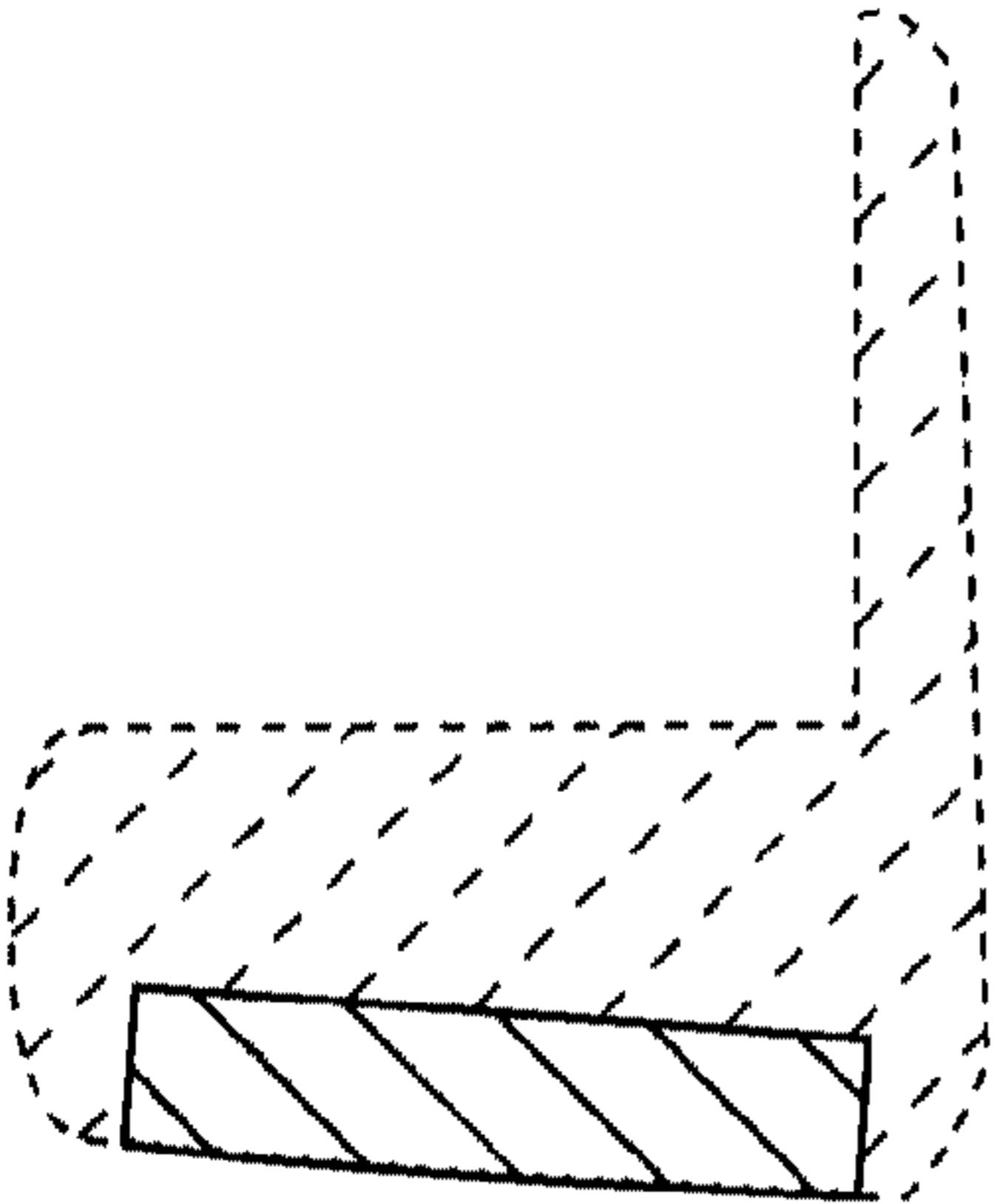


FIG. 8

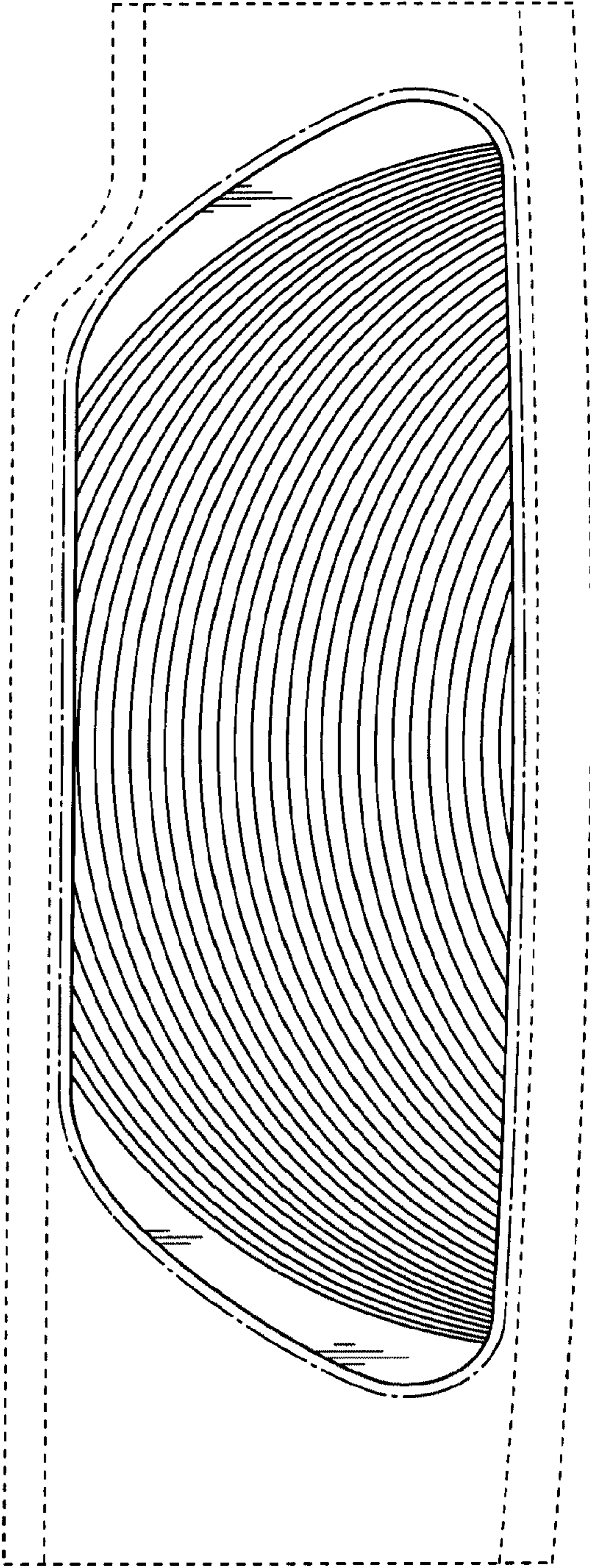


FIG. 9