



US00D588221S

(12) **United States Design Patent**
Takahashi

(10) **Patent No.:** **US D588,221 S**
(45) **Date of Patent:** **** Mar. 10, 2009**

(54) **PUTTER HEAD**

D572,786 S * 7/2008 Ban et al. D21/759

(75) Inventor: **Hiroshi Takahashi**, Chichibu (JP)

FOREIGN PATENT DOCUMENTS

(73) Assignee: **Bridgestone Sports Co., Ltd**, Tokyo (JP)

JP	396258	4/1975
JP	396258 S	4/1975
JP	488476	11/1978
JP	488476 S	11/1978
JP	734829 S	11/1985
JP	734829 S	6/1988
JP	8-229169	9/1996
JP	08-229169 A	9/1996
JP	1084113 S	6/2000
JP	1084113 S	9/2000
JP	1233520 S	3/2005

(**) Term: **14 Years**

(21) Appl. No.: **29/305,415**

(22) Filed: **Mar. 20, 2008**

(30) **Foreign Application Priority Data**

Oct. 15, 2007 (JP) 2007-028214

* cited by examiner

Primary Examiner—Mitchell I Siegel

(51) **LOC (9) Cl.** **21-02**

(74) *Attorney, Agent, or Firm*—Sughrue Mion, PLLC

(52) **U.S. Cl.** **D21/759**

(58) **Field of Classification Search** D21/736–746,
D21/759; 473/324–331, 340–341
See application file for complete search history.

(57) **CLAIM**

The ornamental design for putter head, as shown and described.

(56) **References Cited**

DESCRIPTION

U.S. PATENT DOCUMENTS

D285,956 S	9/1986	Shearer	
D351,443 S	10/1994	Caugh et al.	
D378,113 S	2/1997	Rollinson et al.	
D385,935 S	11/1997	Cameron	
D389,207 S	1/1998	Cameron	
D393,033 S	3/1998	Sheets	
D394,689 S	5/1998	Sheets	
D396,081 S	7/1998	Sheets	
D399,275 S	10/1998	Sheets	
D483,272 S	12/2003	Canino	
D485,331 S	1/2004	Lin	
D500,823 S *	1/2005	Aldrich D21/759
D530,764 S *	10/2006	Frame et al. D21/759
D548,299 S *	8/2007	Nguyen et al. D21/759
D553,702 S *	10/2007	Frame et al. D21/759

FIG. 1 is a perspective view of putter head embodying my new design;

FIG. 2 is a front view thereof;

FIG. 3 is a rear view thereof;

FIG. 4 is a left side view thereof;

FIG. 5 is a right side view thereof;

FIG. 6 is a top plan view thereof;

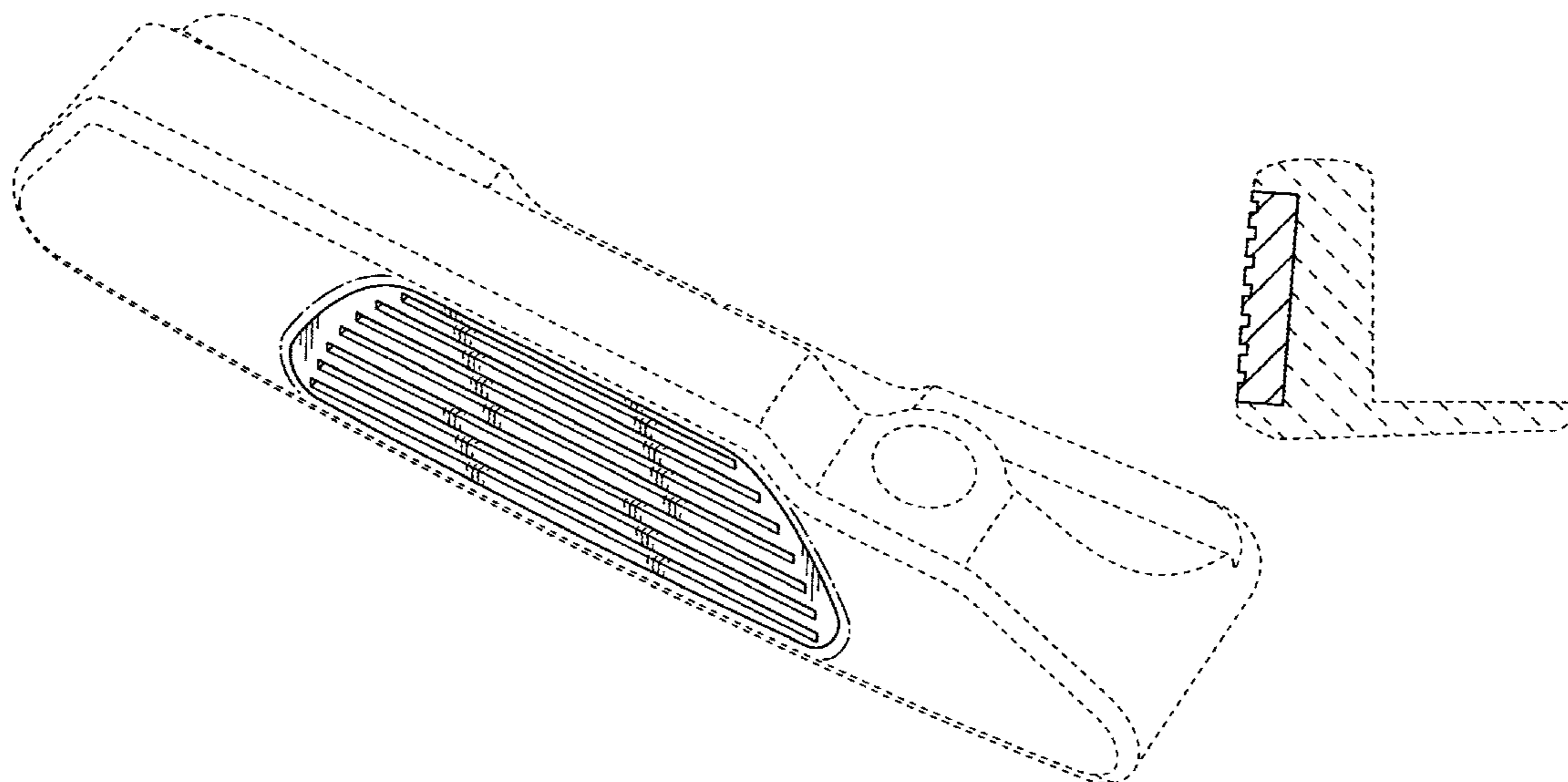
FIG. 7 is a bottom view thereof;

FIG. 8 is a sectional view taken in line 8—8 of FIG. 2; and,

FIG. 9 is a partially enlarged front view thereof.

The broken line showing is included for the purpose of illustrating and forms no part of the claimed design.

1 Claim, 5 Drawing Sheets



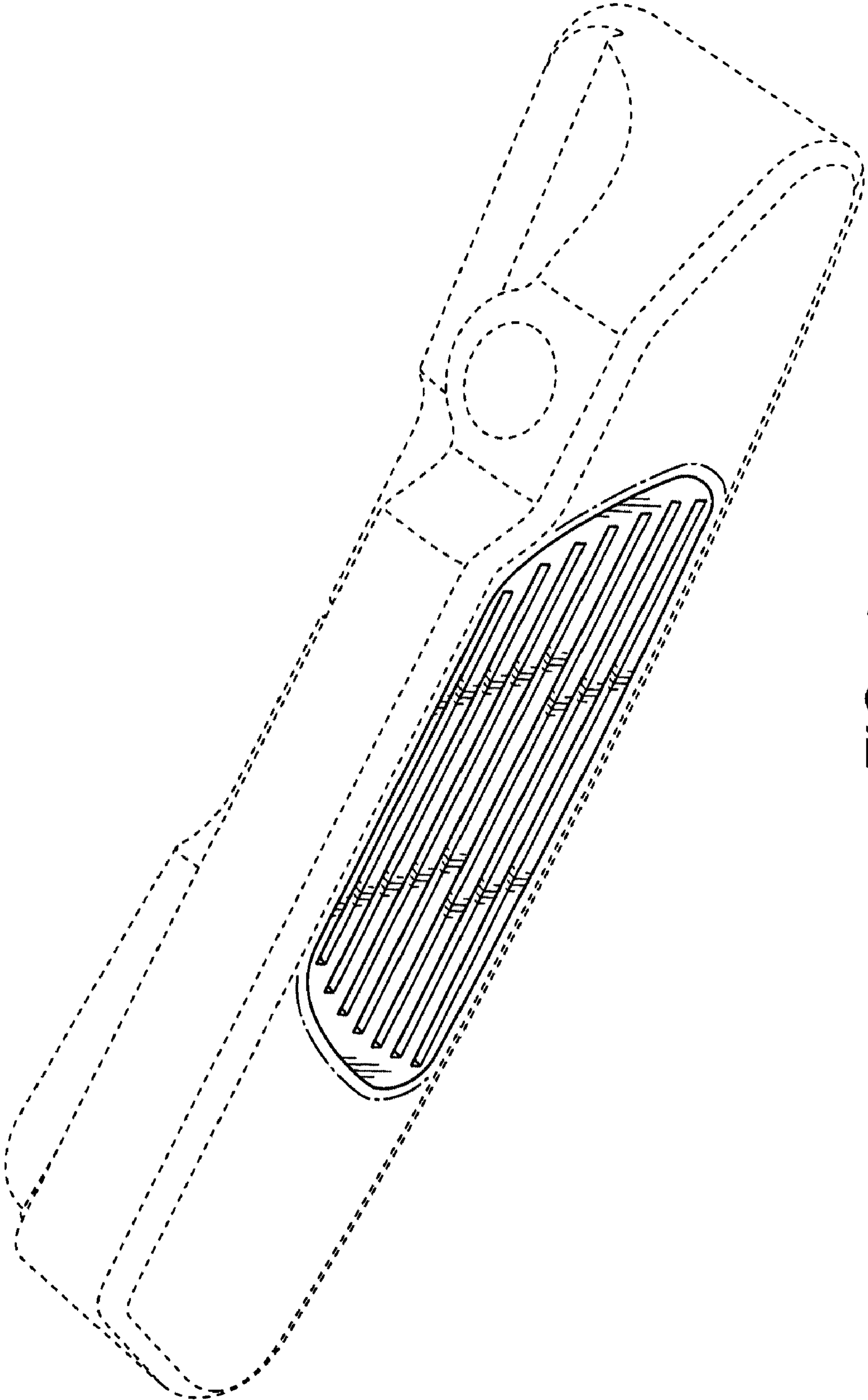


FIG. 1

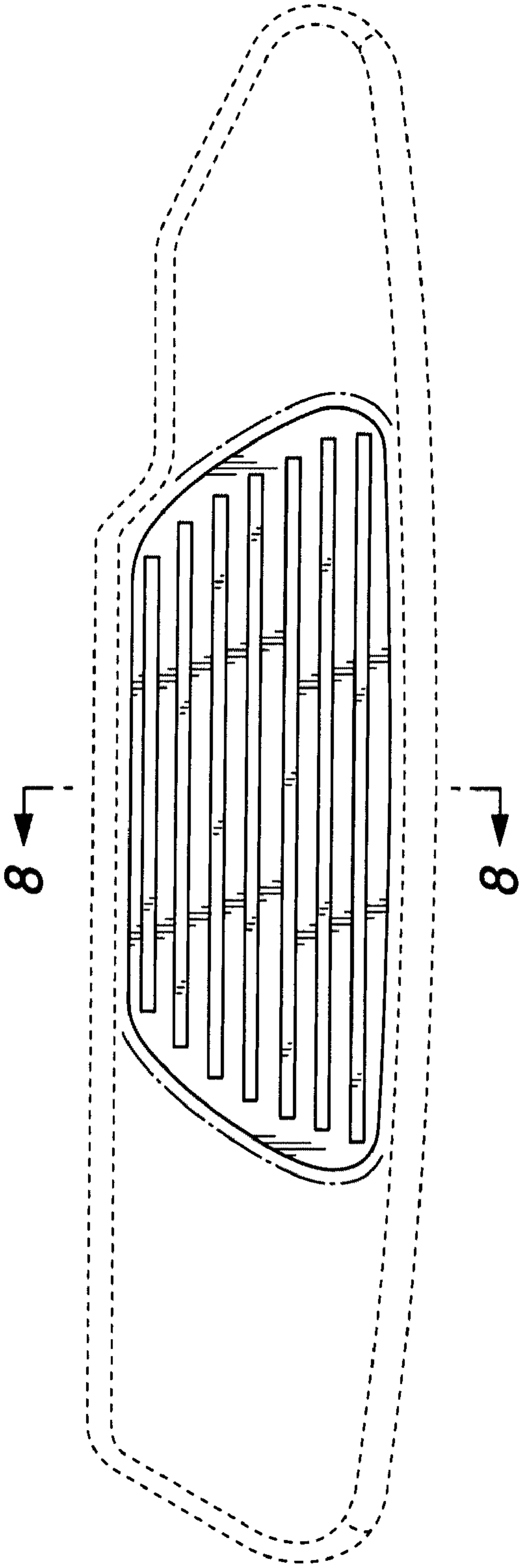


FIG. 2

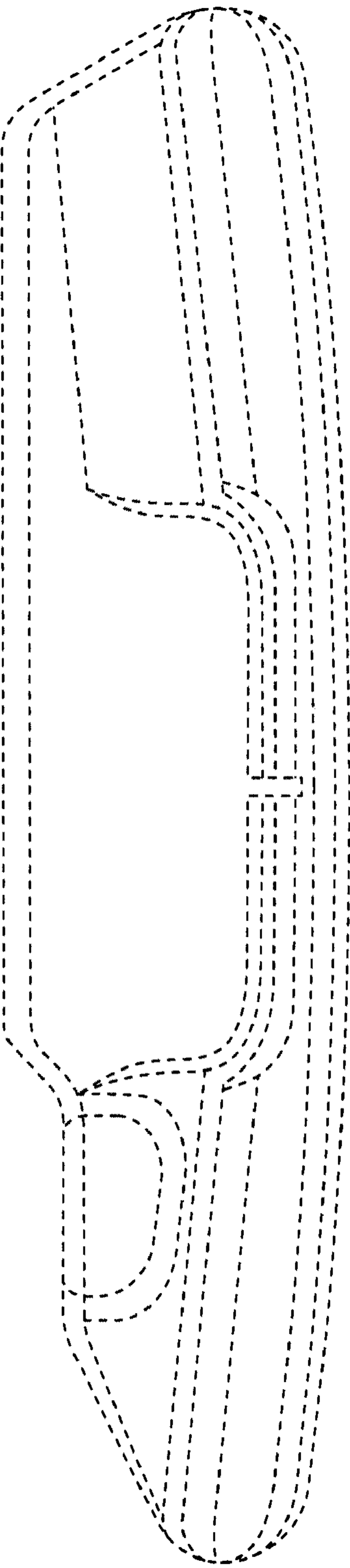


FIG. 3

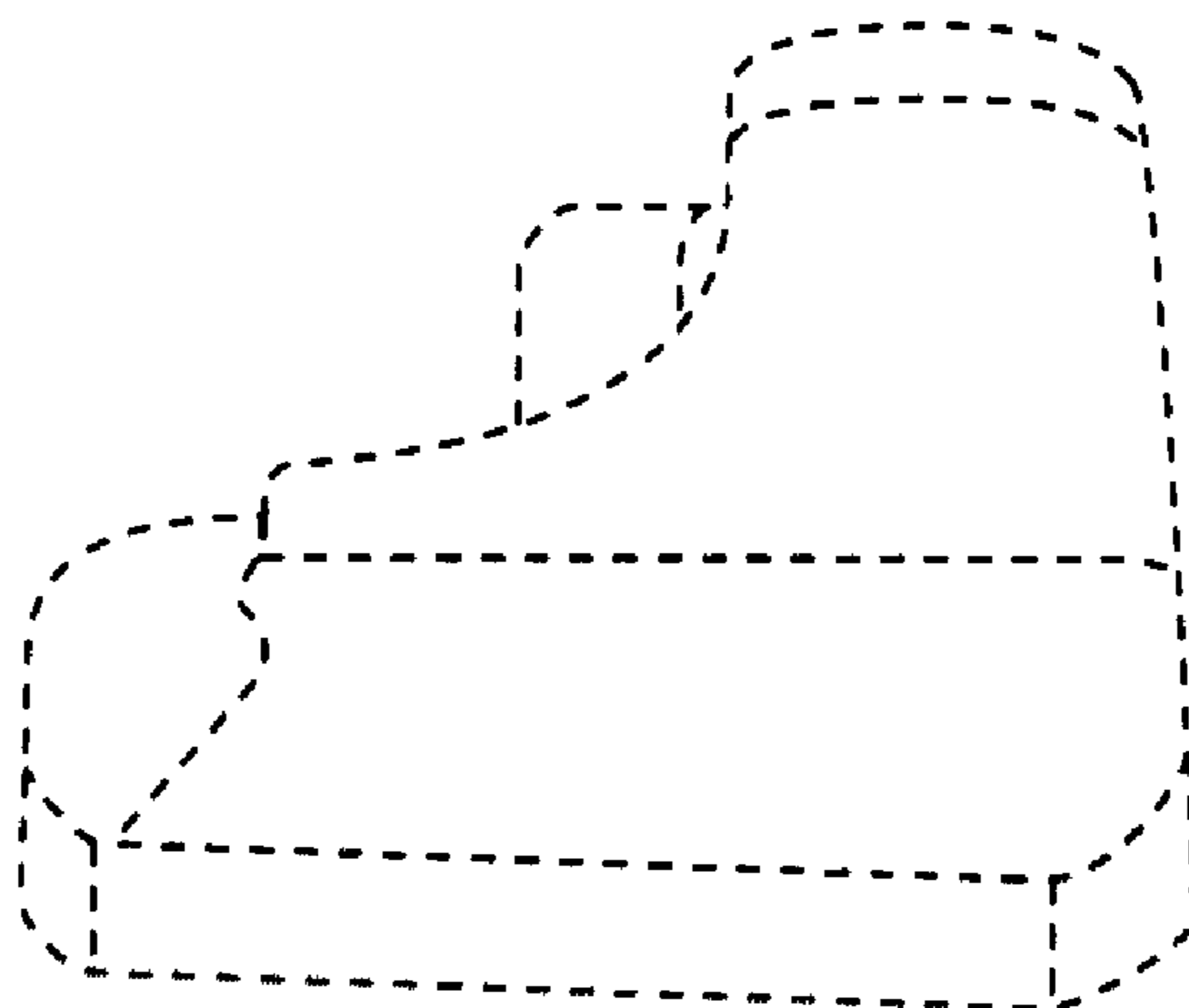


FIG. 4

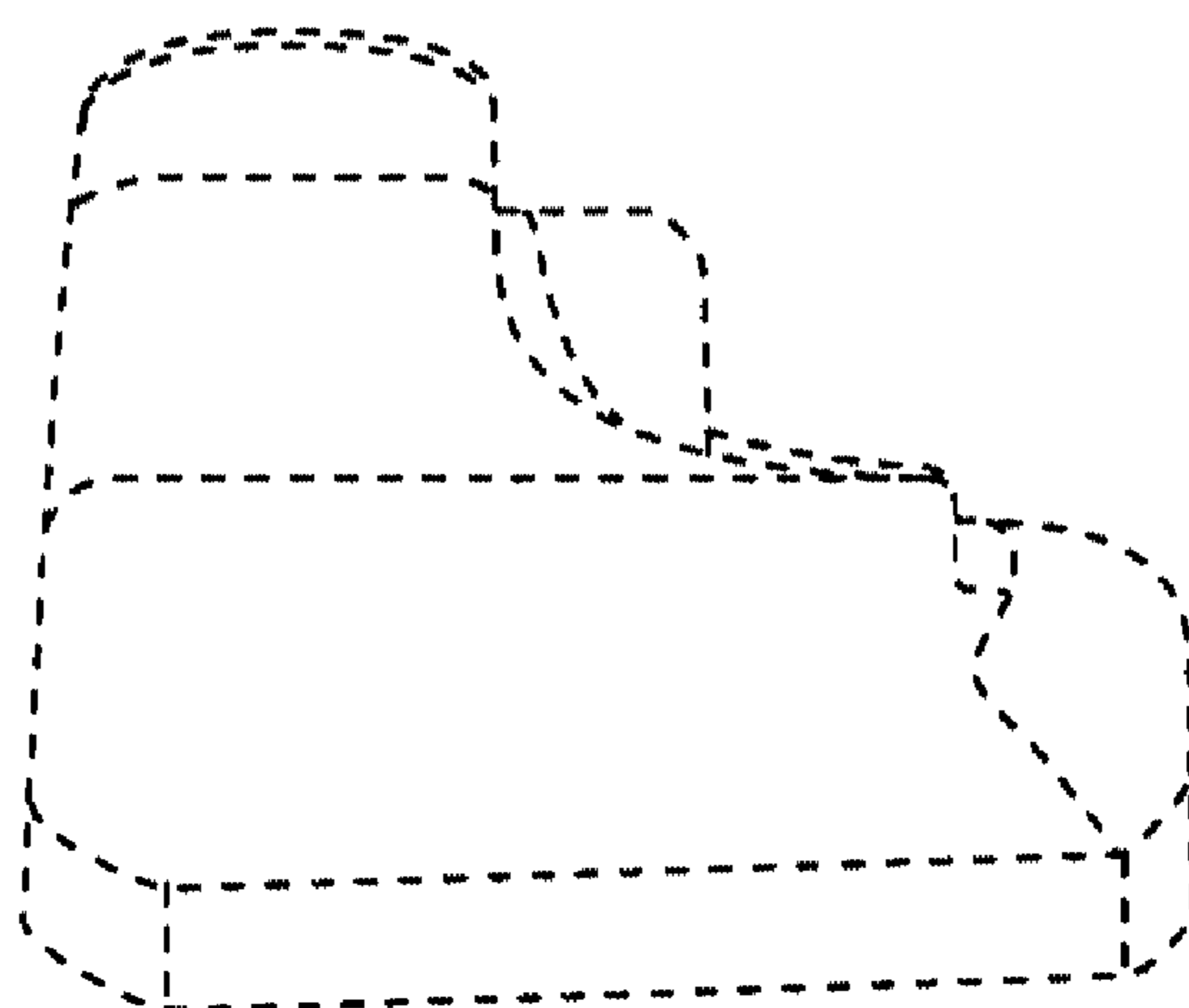


FIG. 5

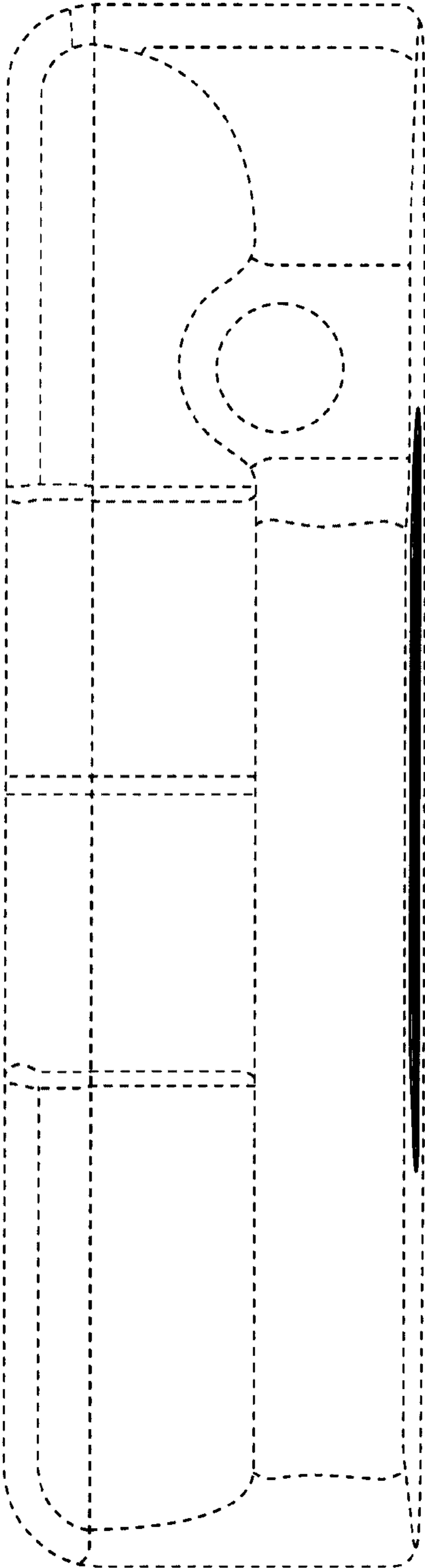


FIG. 6

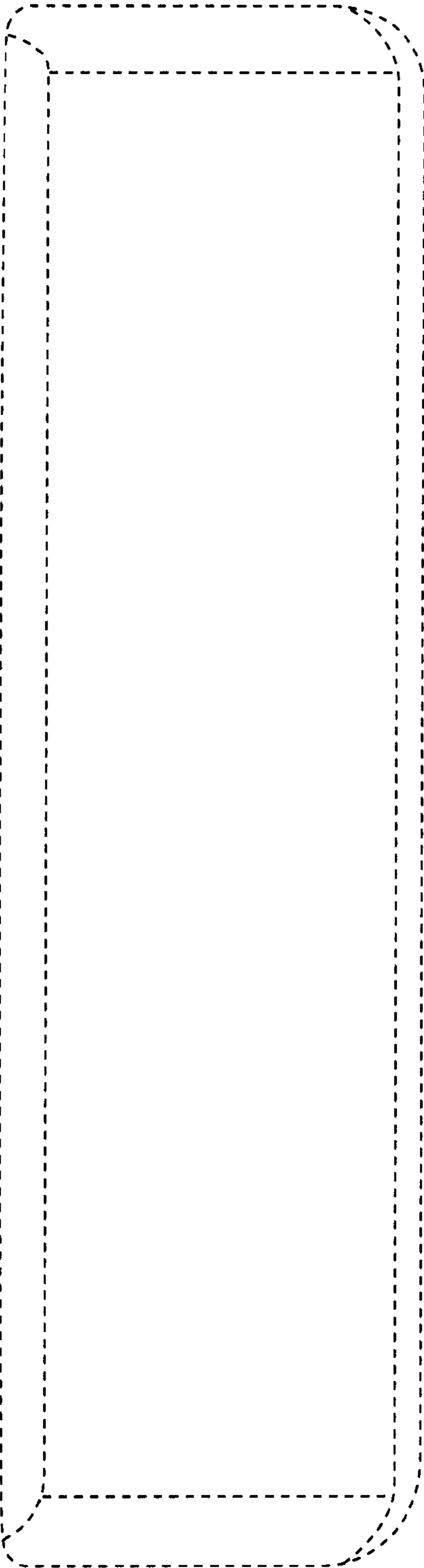


FIG. 7

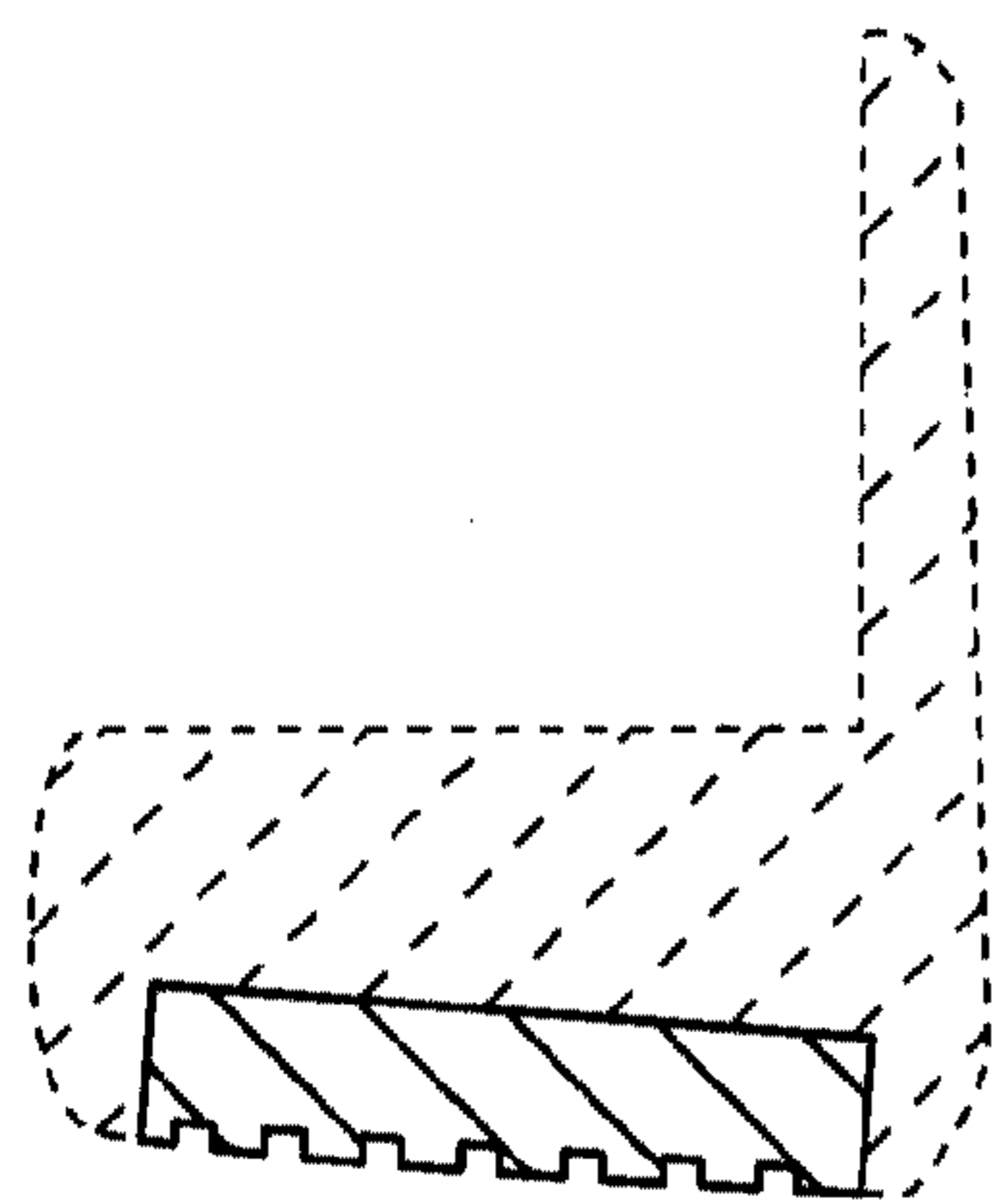


FIG. 8

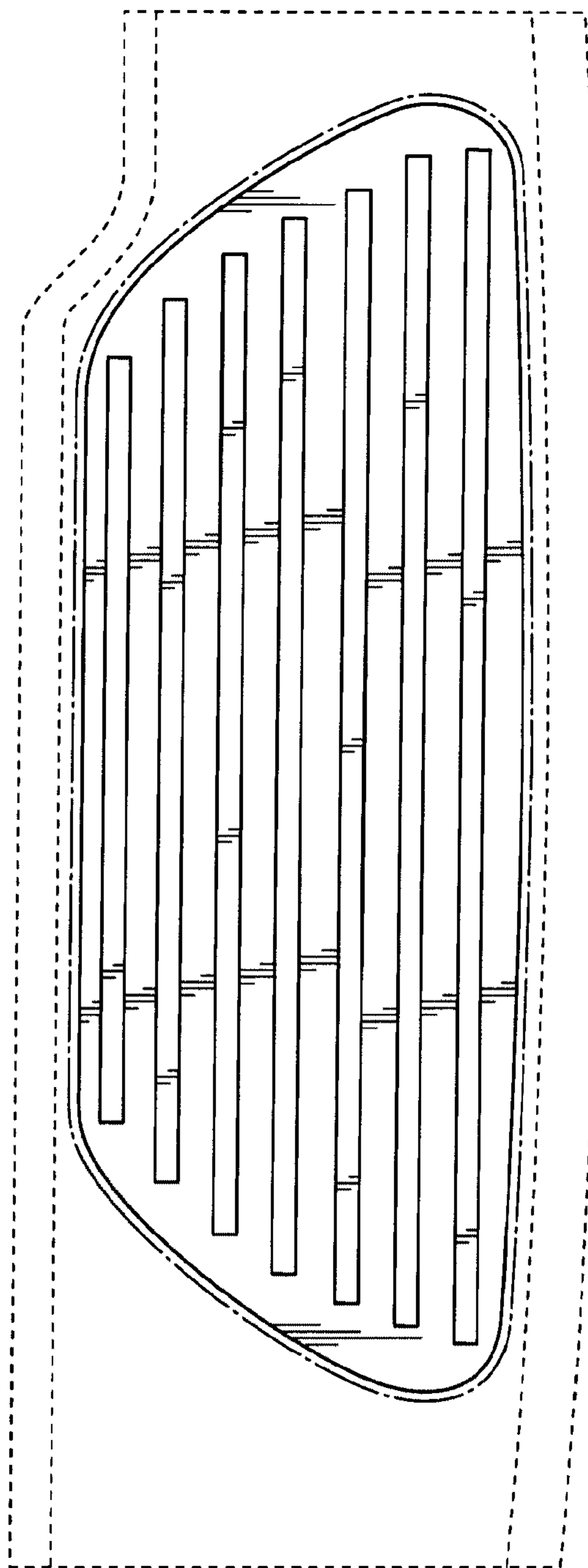


FIG. 9