



US00D588214S

(12) **United States Design Patent**
Stadlbauer

(10) **Patent No.:** **US D588,214 S**
(45) **Date of Patent:** **** Mar. 10, 2009**

(54) **WATER PISTOL**

(75) Inventor: **Andreas Stadlbauer**, Elsbethen (AT)

(73) Assignee: **Stadlbauer Marketing & Vertrieb. GES m.b.H.**, Salzburg (AT)

(**) Term: **14 Years**

(21) Appl. No.: **29/318,411**

(22) Filed: **May 20, 2008**

(30) **Foreign Application Priority Data**

Nov. 21, 2007 (EM) 000 829 809-0007

(51) **LOC (9) Cl.** **21-01**

(52) **U.S. Cl.** **D21/572**

(58) **Field of Classification Search** D21/401,
D21/567, 575; D22/100, 103, 104, 105;
D23/231; 446/175, 176, 180, 473; 222/78,
222/79; 239/211, 237, 329, 373, 525, 526;
124/63-65, 69, 73-75

See application file for complete search history.

(56) **References Cited**

U.S. PATENT DOCUMENTS

5,611,460 A * 3/1997 Rudell 222/78
D505,165 S * 5/2005 McBride et al. D21/572
D514,173 S * 1/2006 McBride et al. D21/572
D521,574 S * 5/2006 McBride et al. D21/572
D548,290 S * 8/2007 Chuang et al. D21/572
D548,805 S * 8/2007 Chuang et al. D21/572

D557,753 S * 12/2007 Chuang et al. D21/572
2002/0127946 A1 * 9/2002 Hornsby et al. 446/176
2005/0098577 A1 * 5/2005 Huy et al. 222/79

* cited by examiner

Primary Examiner—Holly H Baynham

Assistant Examiner—Cynthia M Chin

(74) *Attorney, Agent, or Firm*—DeLio & Peterson, LLC;
Robert Curcio

(57) **CLAIM**

I claim the ornamental design for a “water pistol,” as shown and described.

DESCRIPTION

FIG. 1 is a perspective view of the water pistol design of this invention.

FIG. 2 is a second perspective view of the water pistol design of this invention.

FIG. 3 is a right side elevational view of the water pistol of this invention shown in FIG. 1.

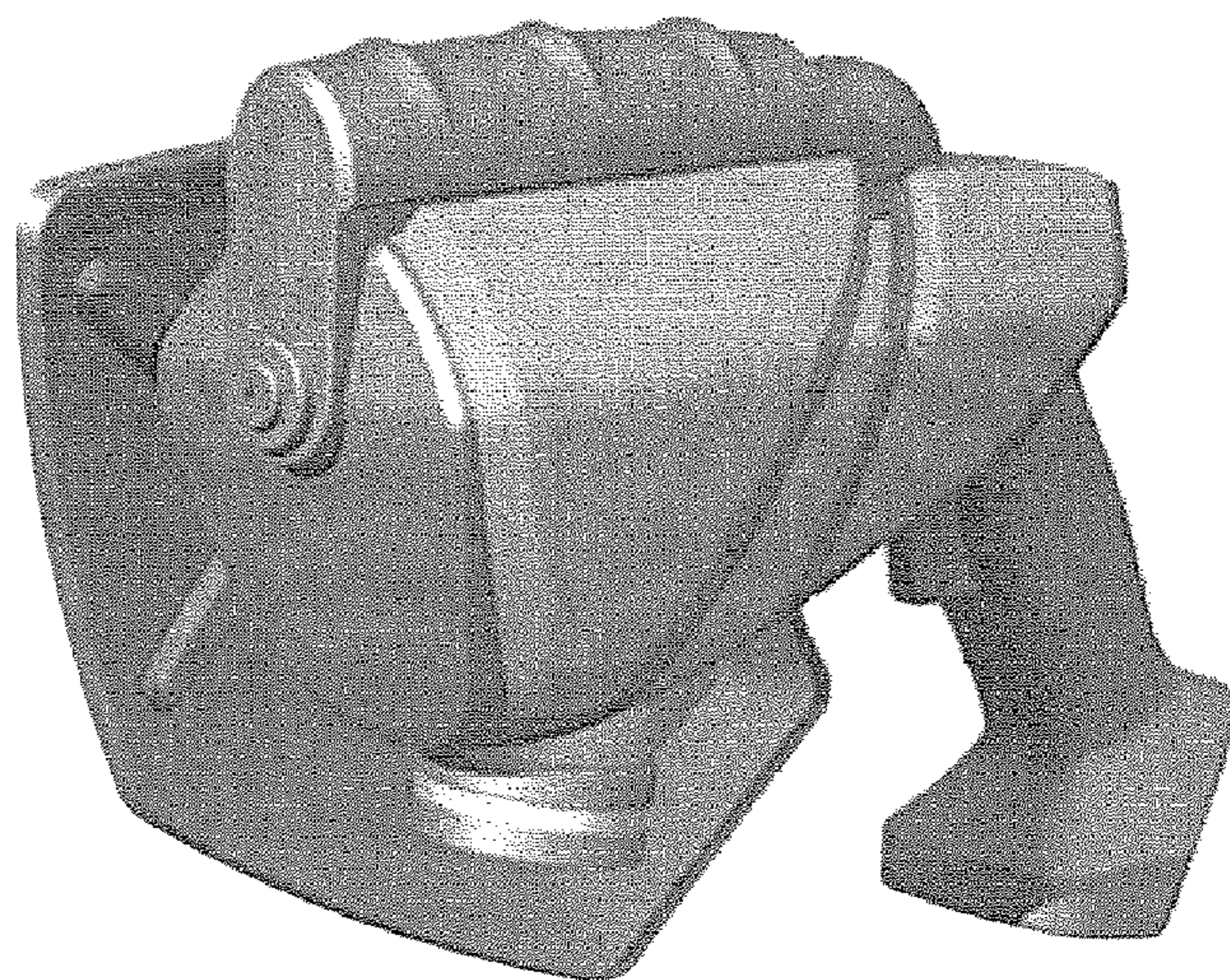
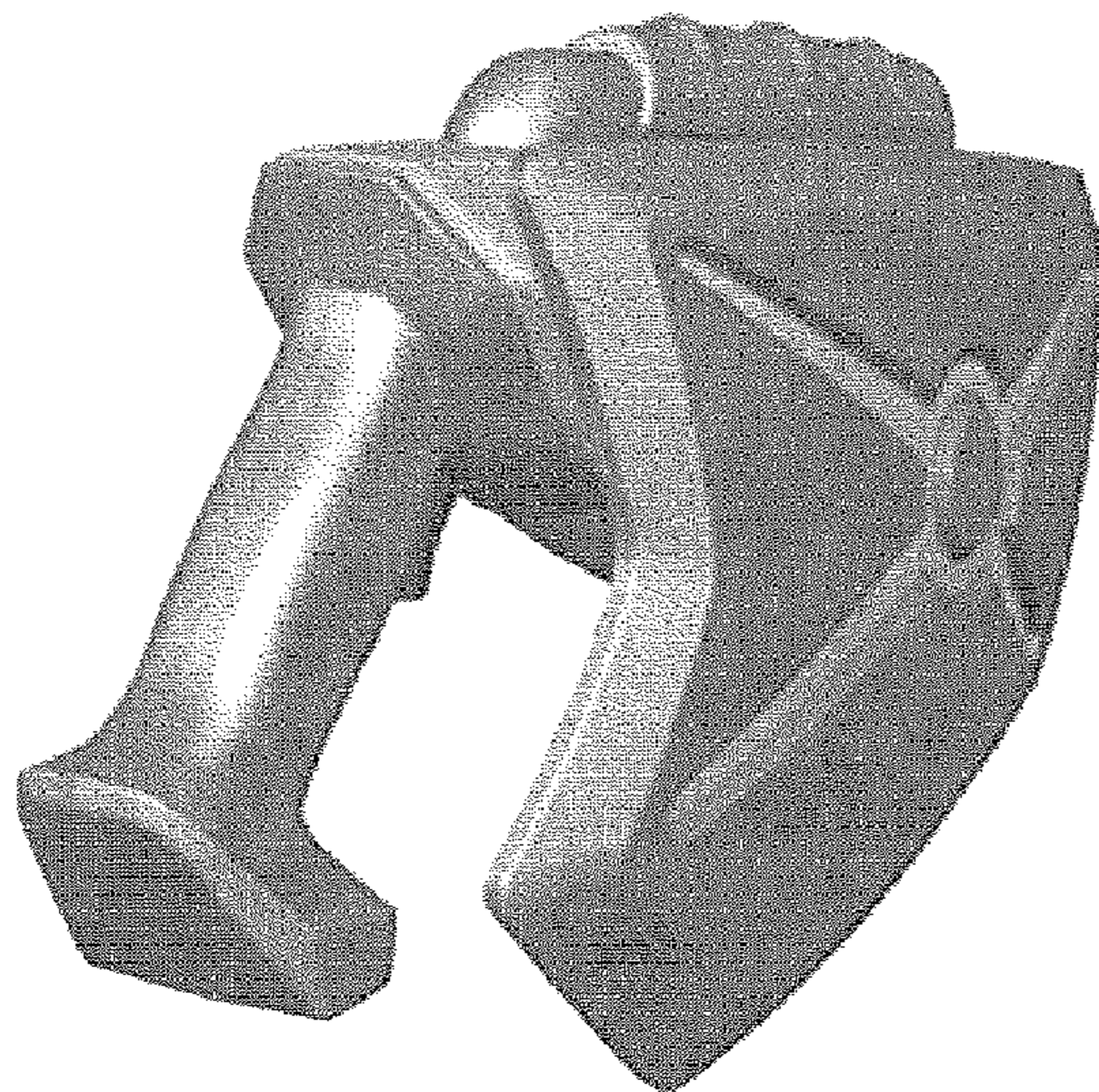
FIG. 4 is a top plan view of the water pistol of this invention shown in FIG. 1.

FIG. 5 is a bottom plan view of the water pistol of this invention shown in FIG. 1.

FIG. 6 is a front elevational view of the water pistol of this invention shown in FIG. 1; and,

FIG. 7 is a rear elevational view of the water pistol of this invention shown in FIG. 1.

1 Claim, 4 Drawing Sheets



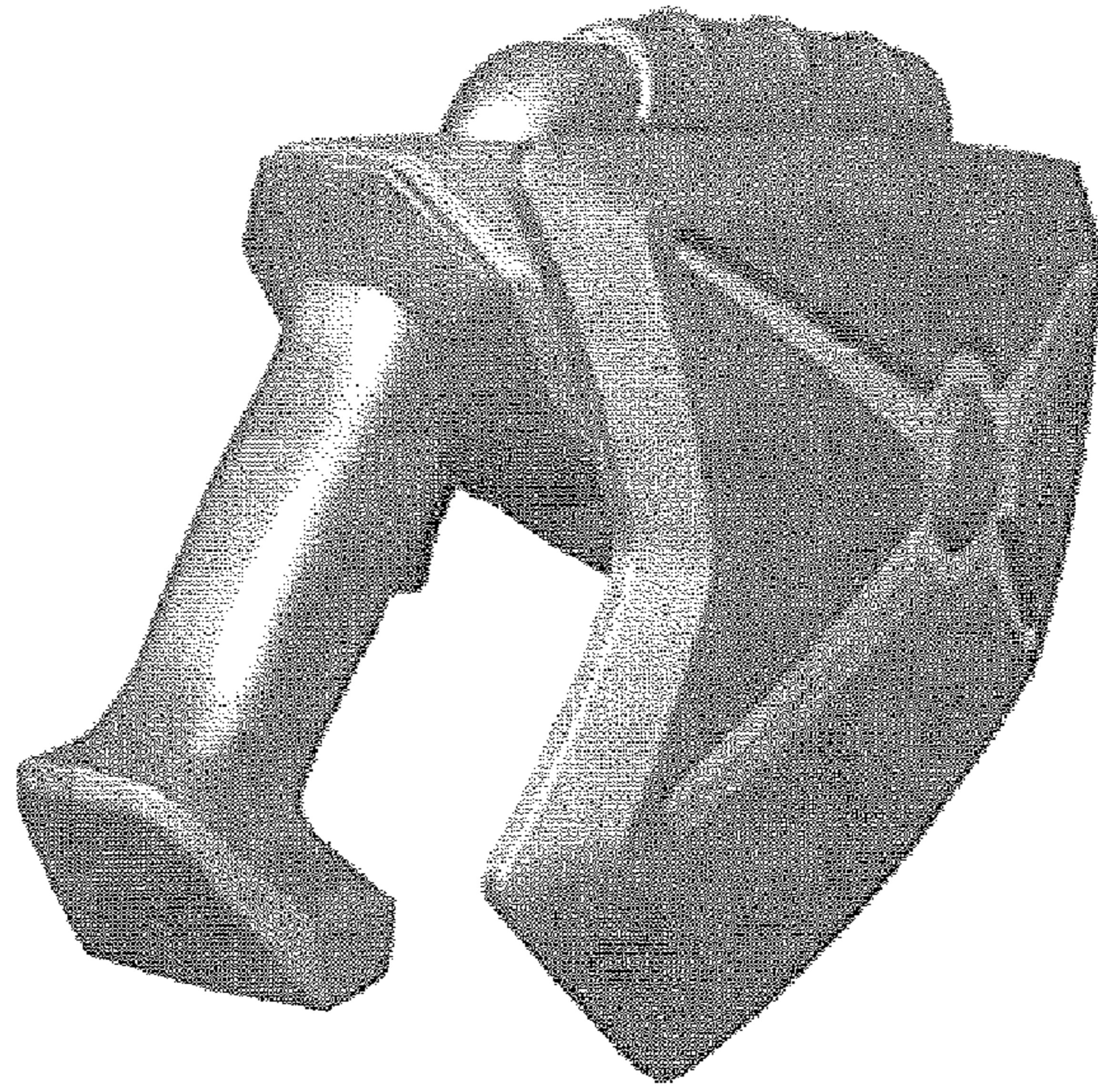


FIG. 1

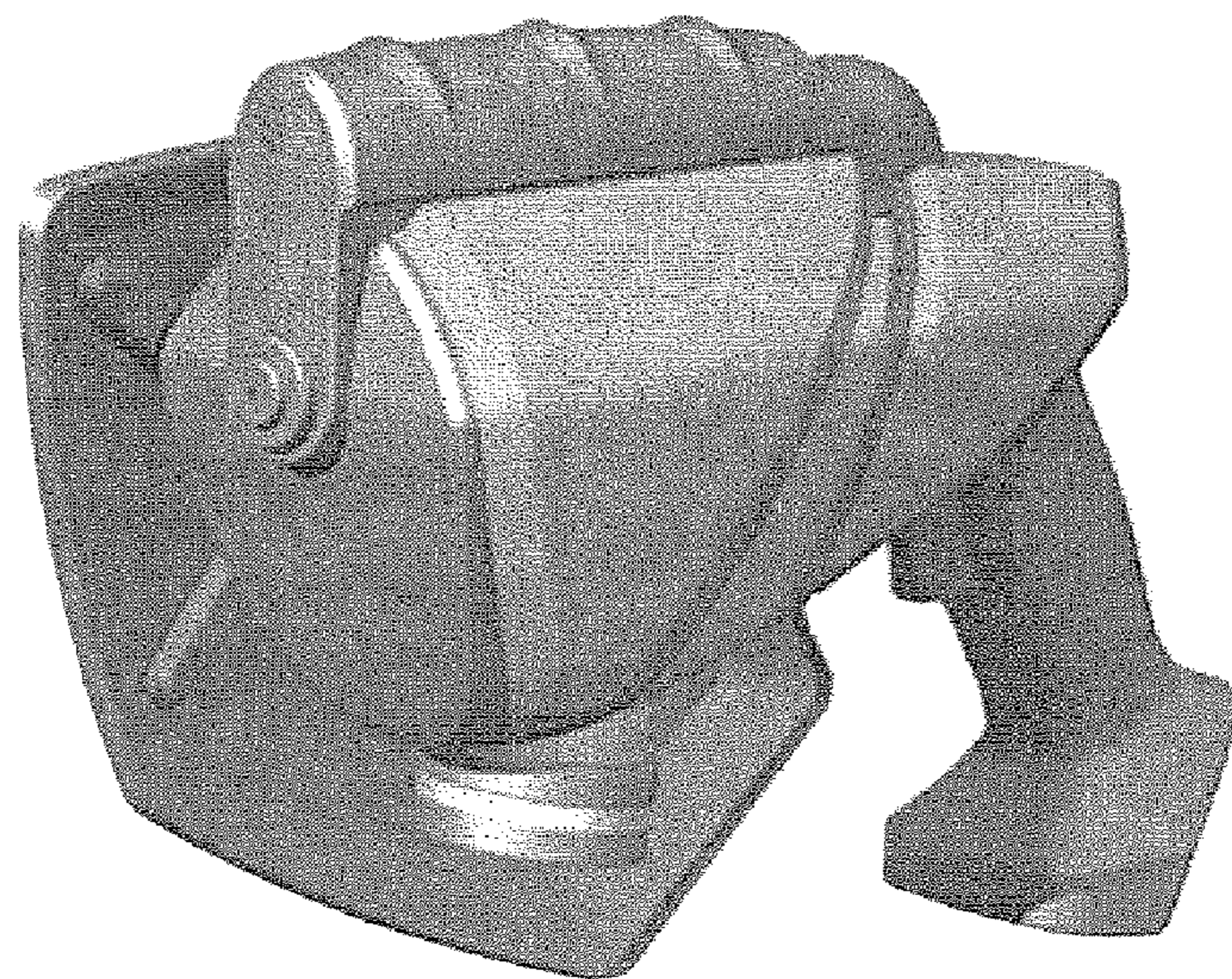


FIG. 2

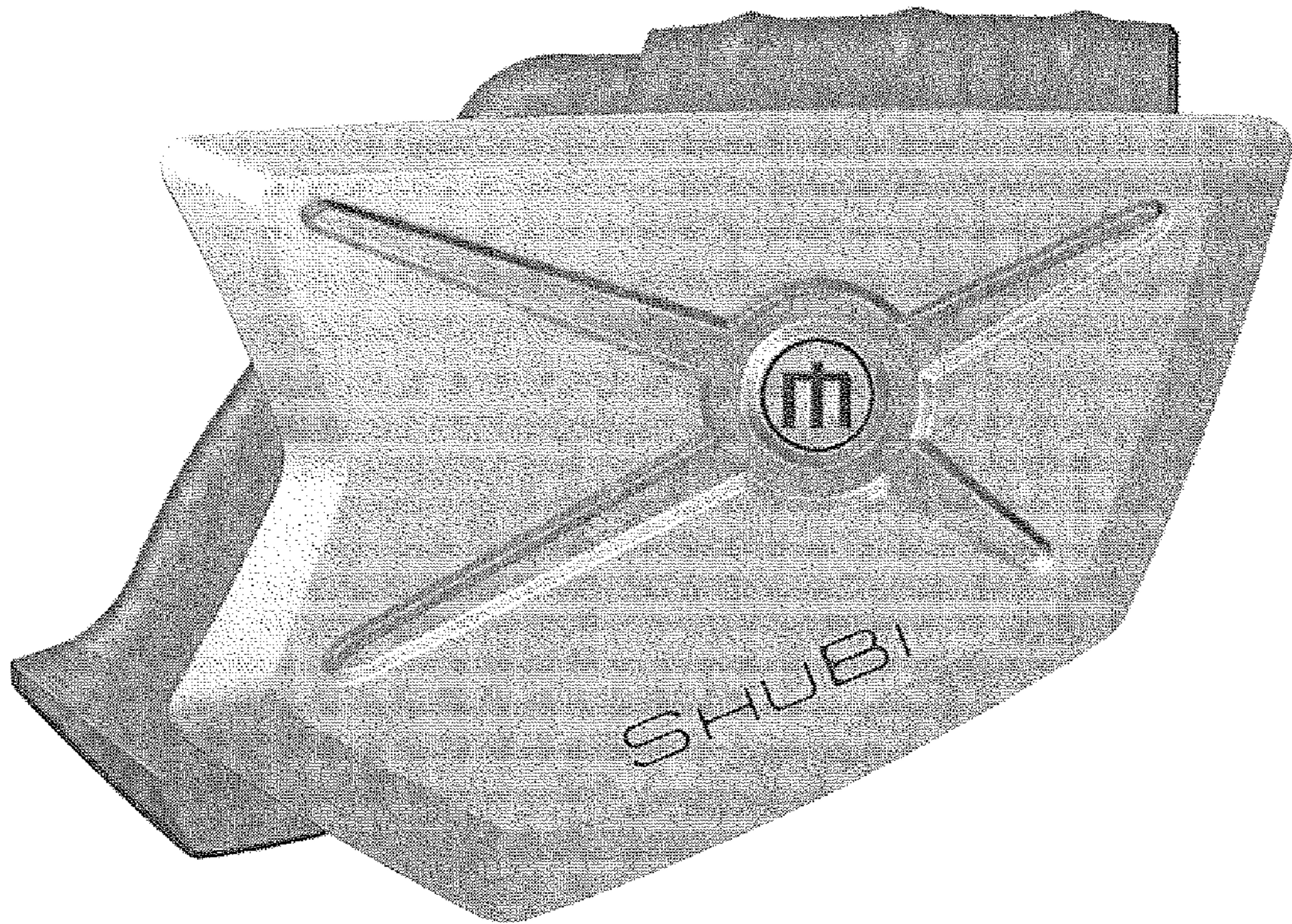


FIG. 3

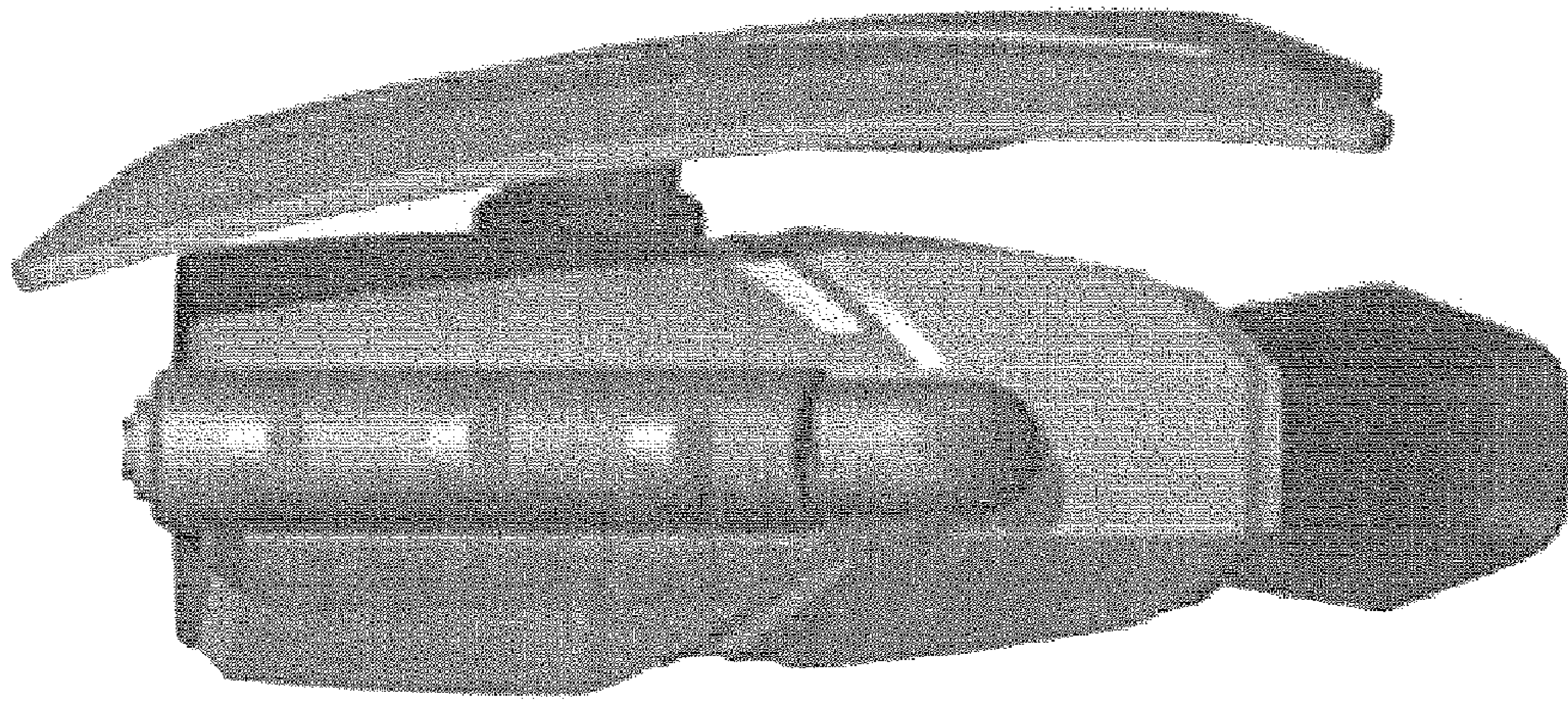


FIG. 4

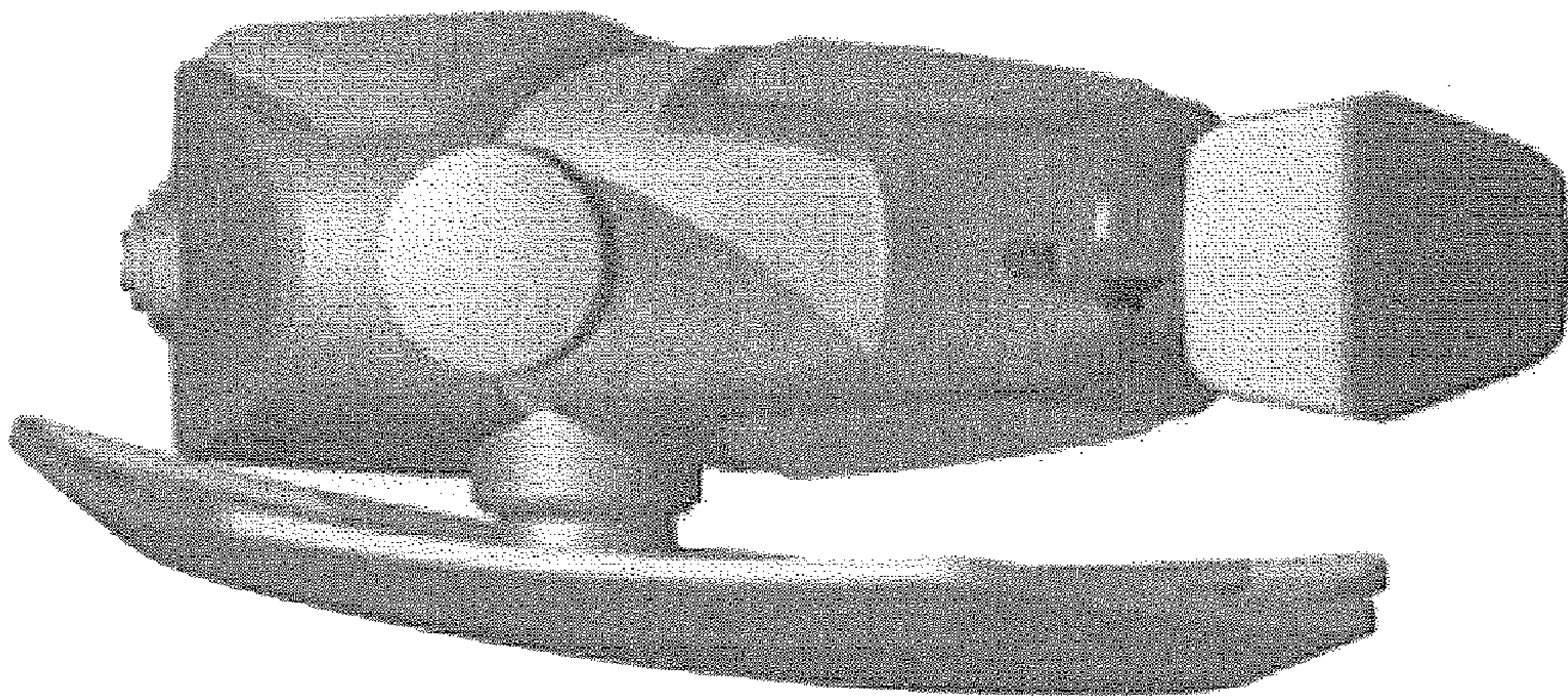


FIG. 5

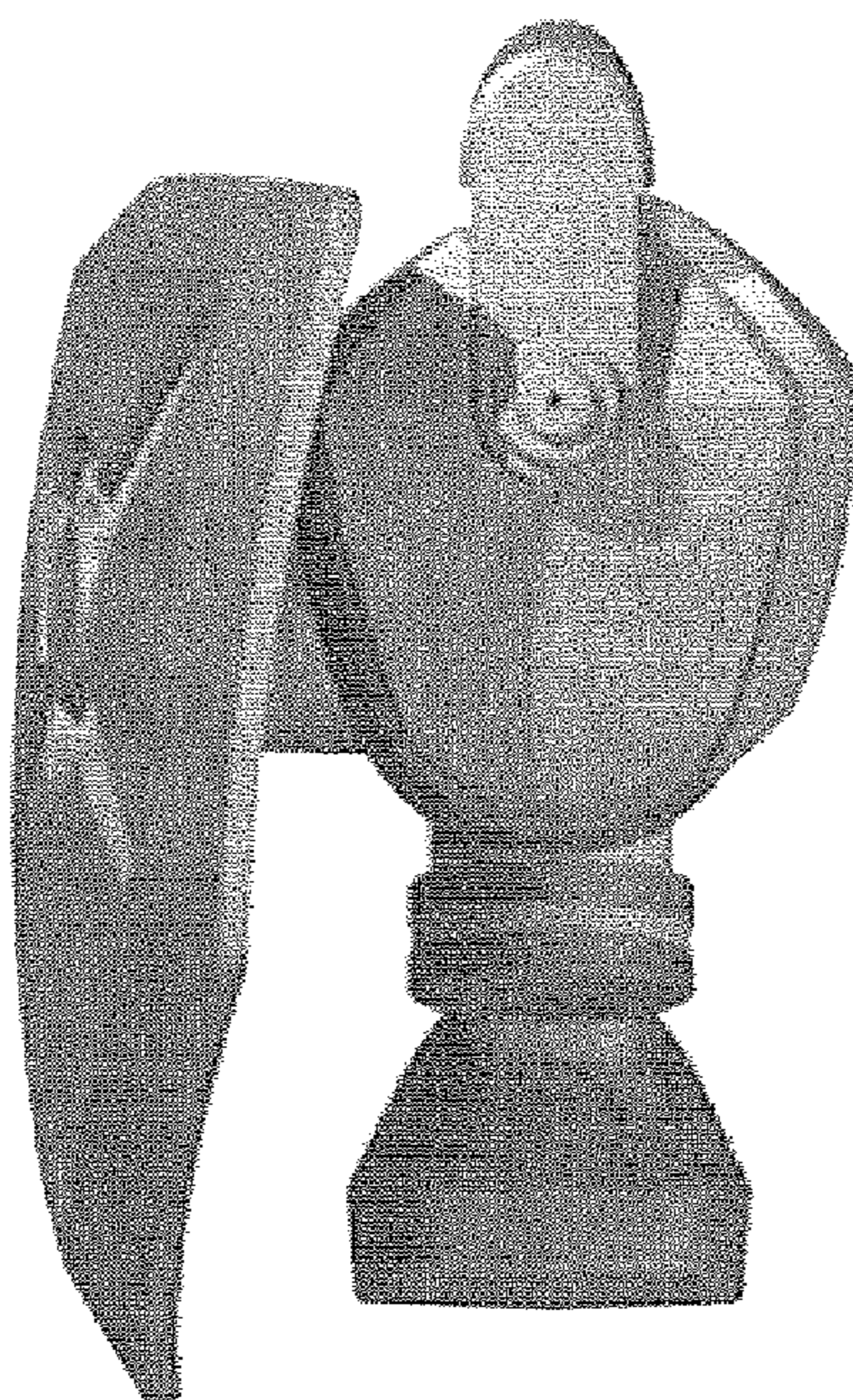


FIG. 6

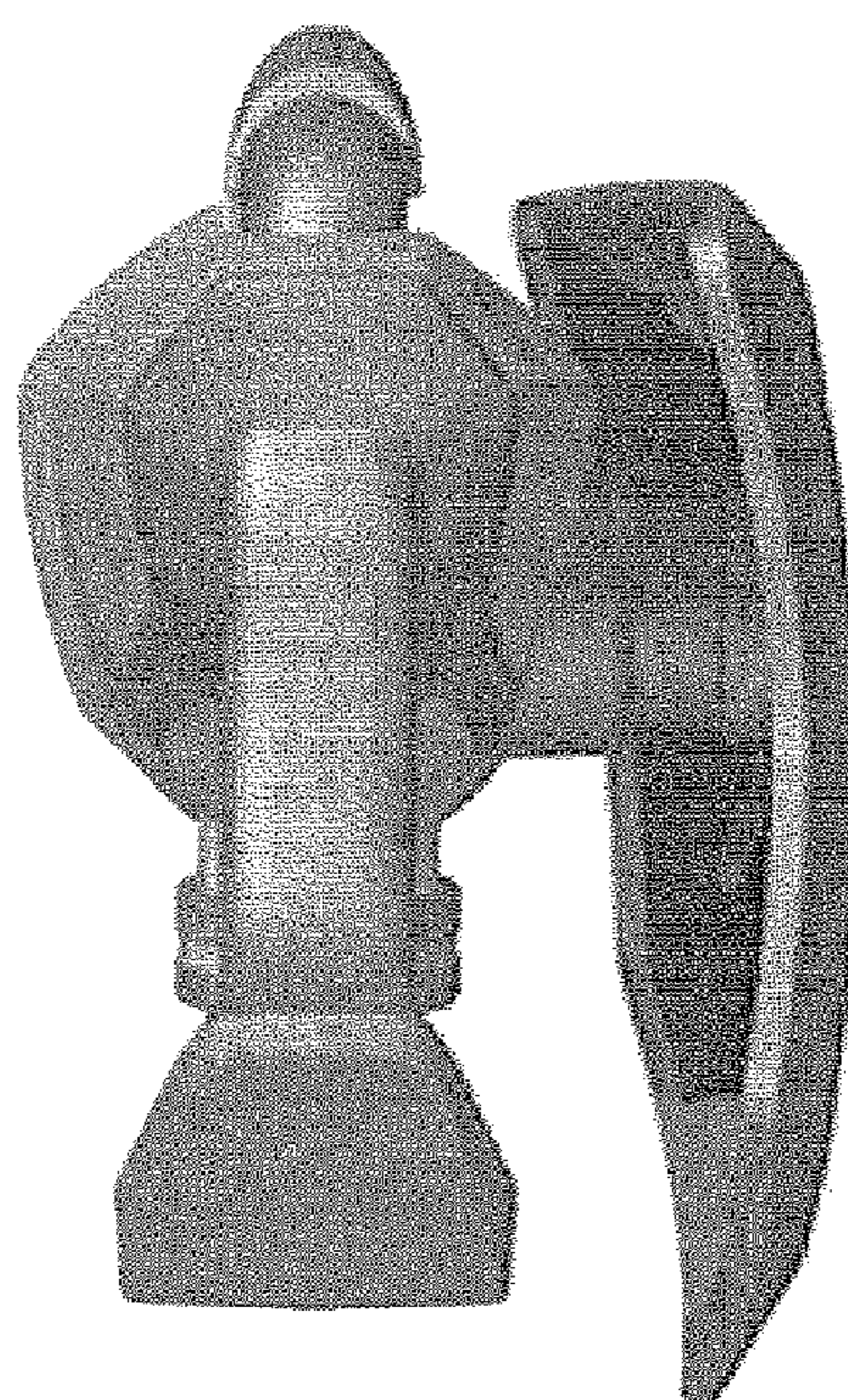


FIG. 7