



US00D588212S

(12) **United States Design Patent**
Stadlbauer

(10) **Patent No.:** **US D588,212 S**
(45) **Date of Patent:** **** Mar. 10, 2009**

(54) **WATER PISTOL**

(75) Inventor: **Andreas Stadlbauer**, Elsbethen (AT)

(73) Assignee: **Stadlbauer Marketing & Vertrieb. GES m.b.H.**, Slazburg (AT)

(**) Term: **14 Years**

(21) Appl. No.: **29/318,403**

(22) Filed: **May 20, 2008**

(30) **Foreign Application Priority Data**

Nov. 21, 2007 (EP) 000 829 809-0005

(51) **LOC (9) Cl.** **21-01**

(52) **U.S. Cl.** **D21/572**

(58) **Field of Classification Search** D21/401,
D21/567, 575; D22/100, 103, 104, 105;
D23/231; 446/175, 176, 180, 473; 222/78,
222/79; 239/211, 237, 329, 373, 525, 526;
124/63-65, 69, 73-75

See application file for complete search history.

(56) **References Cited**

U.S. PATENT DOCUMENTS

D204,469 S *	4/1966	Ryan	D21/573
D207,172 S *	3/1967	Ryan	D21/573
D343,873 S *	2/1994	Aigner	D21/573
D410,048 S *	5/1999	Luk	D21/572
D421,467 S *	3/2000	D'Andrade et al.	D21/572
D423,609 S *	4/2000	D'Andrade et al.	D21/572
D425,145 S *	5/2000	Bao	D21/572
D429,506 S *	8/2000	Hornsby et al.	D21/572

D429,779 S *	8/2000	Yu	D21/572
D438,916 S *	3/2001	Wan	D21/572

* cited by examiner

Primary Examiner—Holly H Baynham

Assistant Examiner—Cynthia M Chin

(74) *Attorney, Agent, or Firm*—Delio & Peterson LLC;
Robert Curcio

(57) **CLAIM**

I claim the ornamental design for a “water pistol,” as shown and described.

DESCRIPTION

FIG. 1 is a perspective view of the water pistol design of this invention.

FIG. 2 is a second perspective view of the water pistol design of this invention.

FIG. 3 is a right side elevational view of the water pistol of this invention shown in FIG. 1.

FIG. 4 is a left side elevational view of the water pistol of this invention shown in FIG. 1.

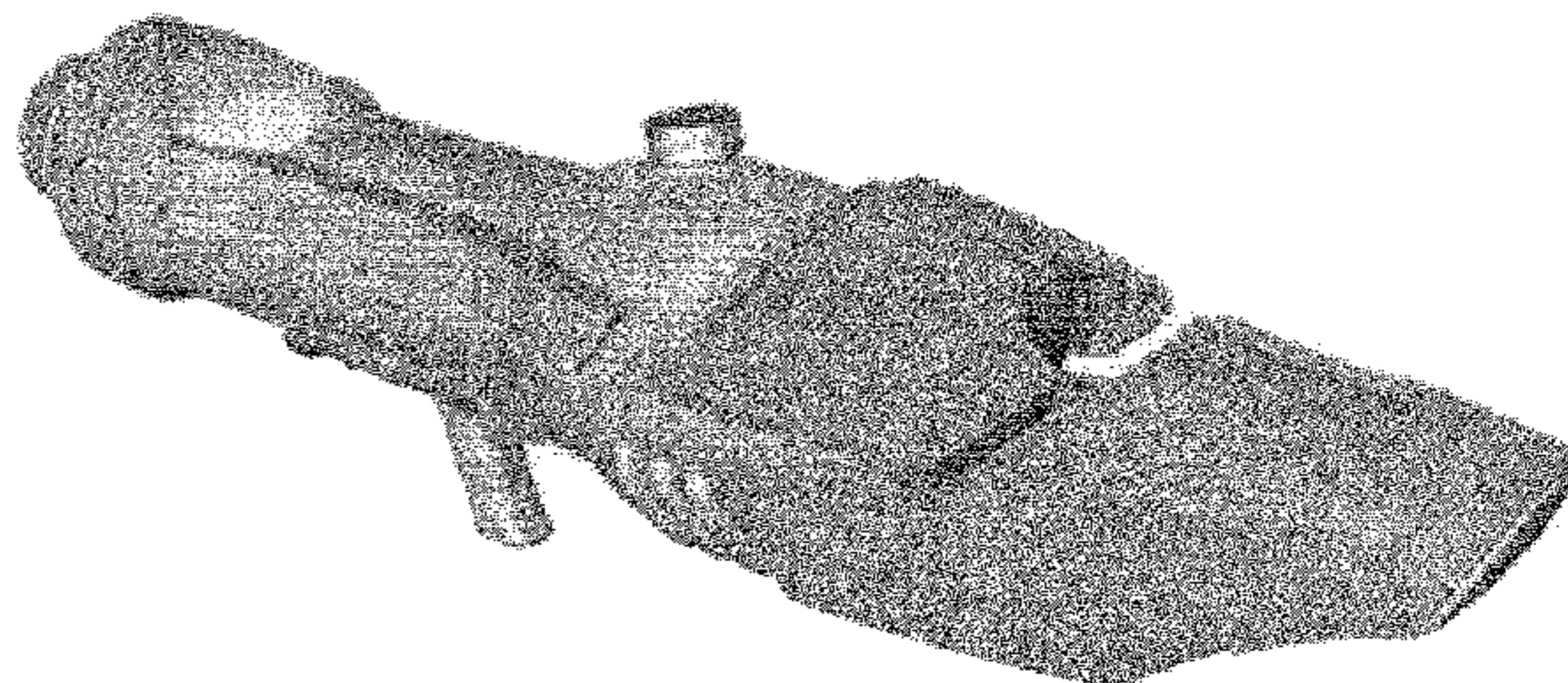
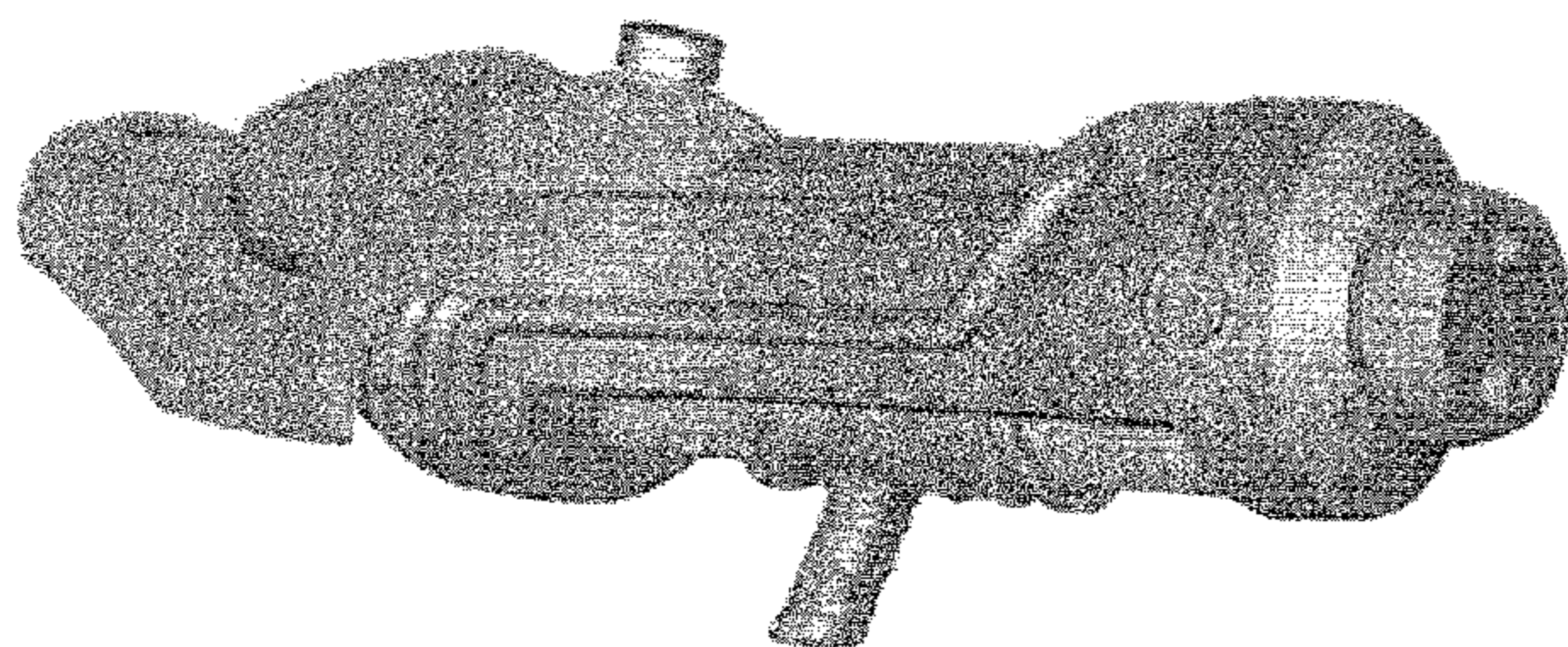
FIG. 5 is a top plan view of the water pistol of this invention shown in FIG. 1.

FIG. 6 is a bottom plan view of the water pistol of this invention shown in FIG. 1.

FIG. 7 is a front elevational view of the water pistol of this invention shown in FIG. 1; and,

FIG. 8 is a rear elevational view of the water pistol of this invention shown in FIG. 1.

1 Claim, 4 Drawing Sheets



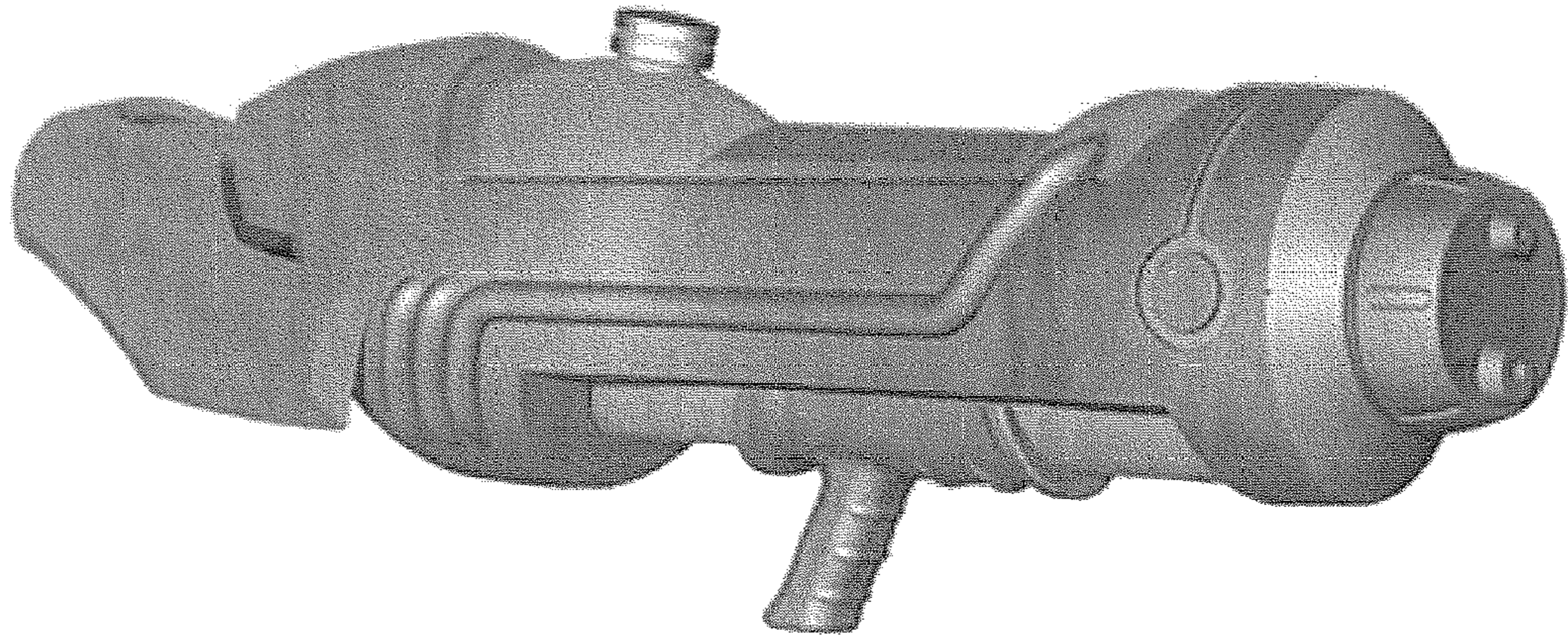


FIG. 1

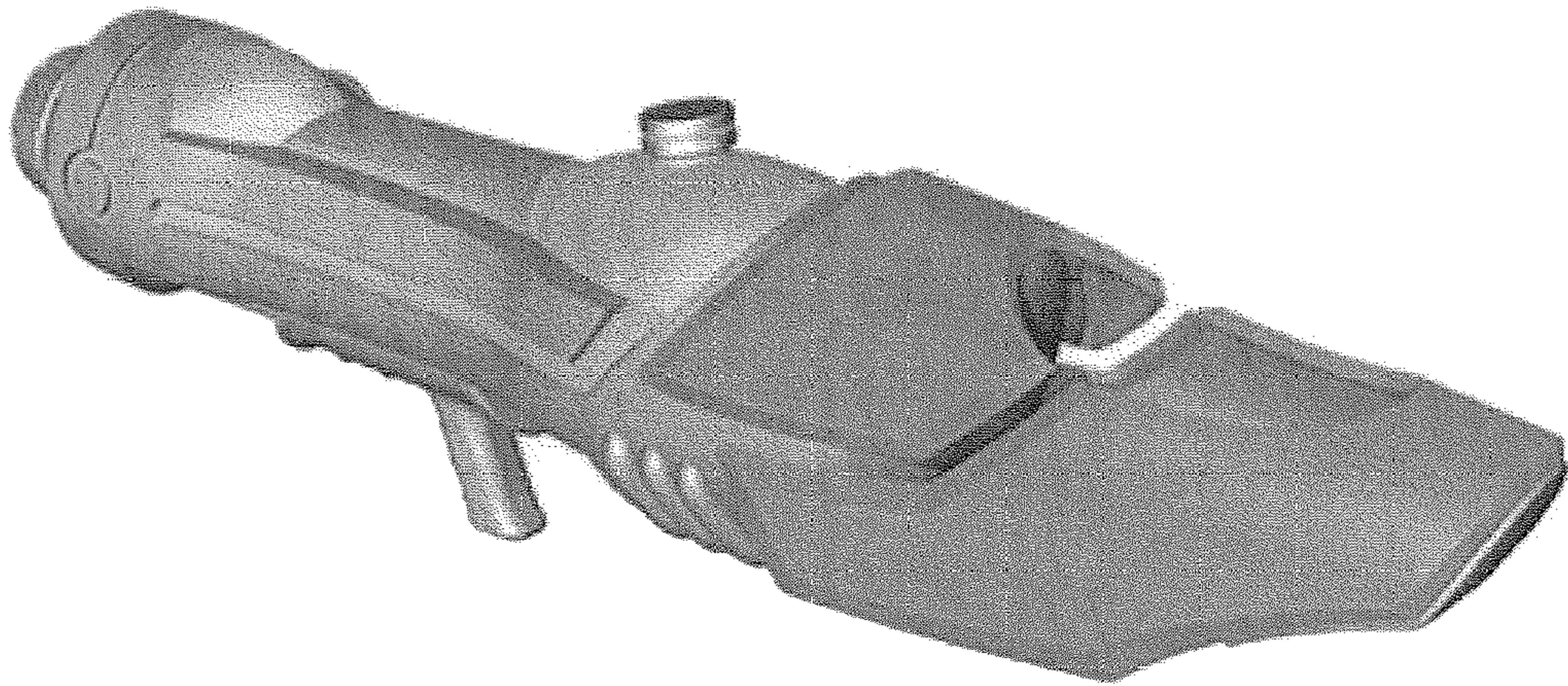


FIG. 2

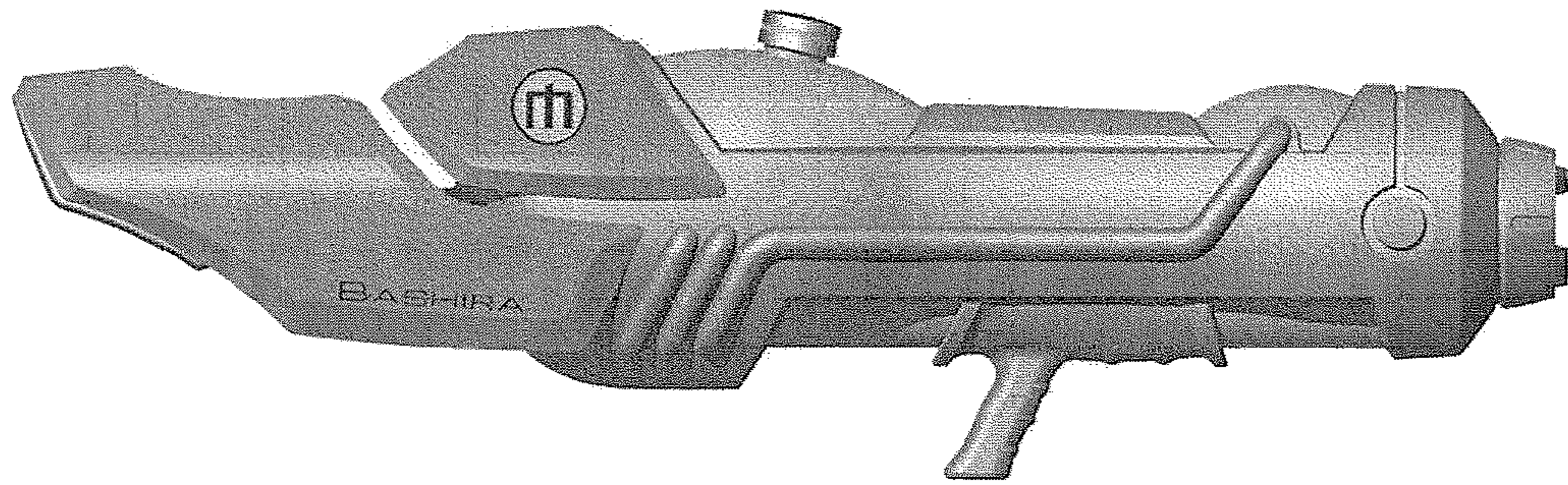


FIG. 3

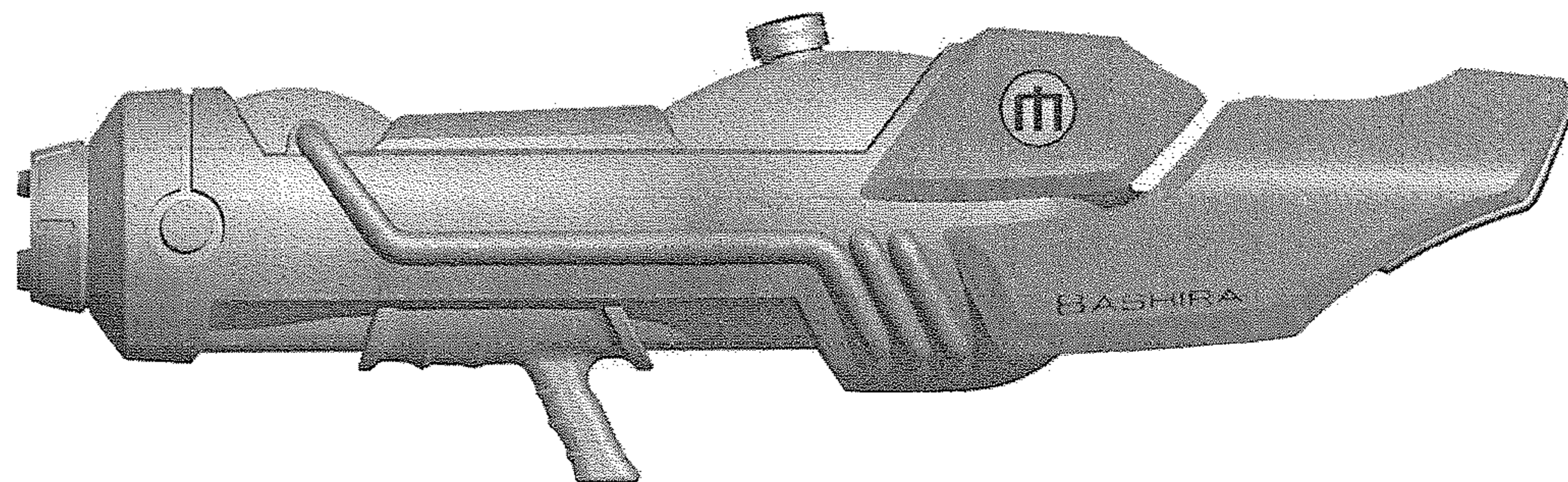


FIG. 4

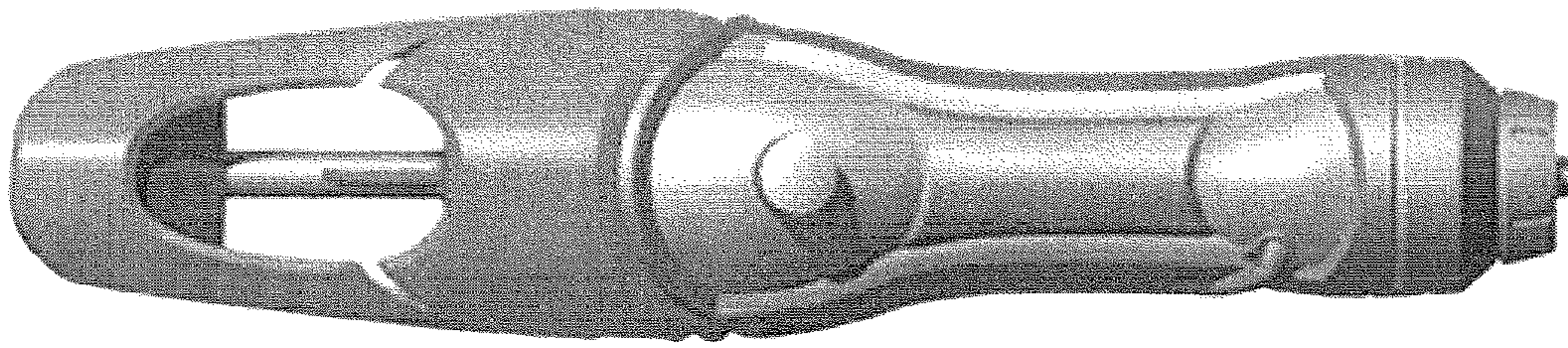


FIG. 5

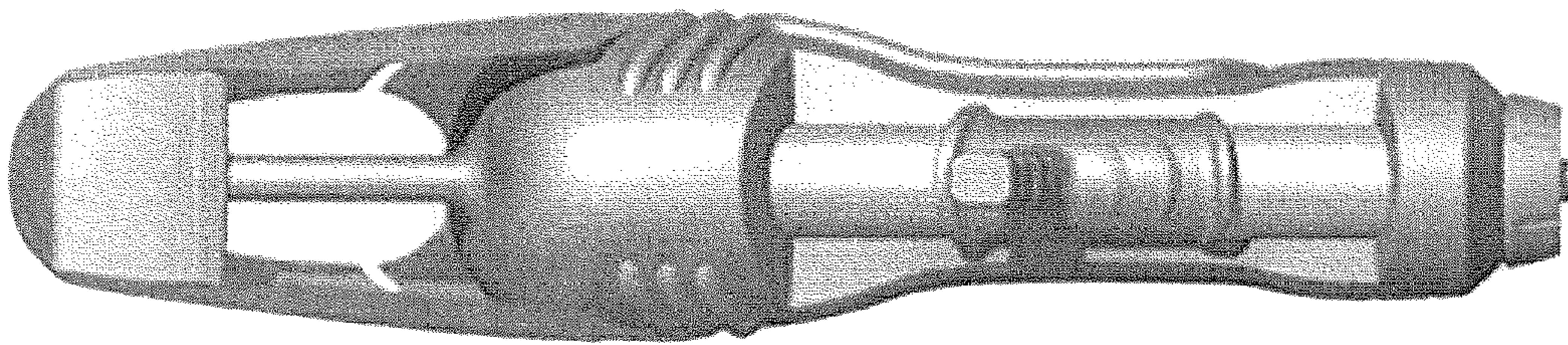


FIG. 6

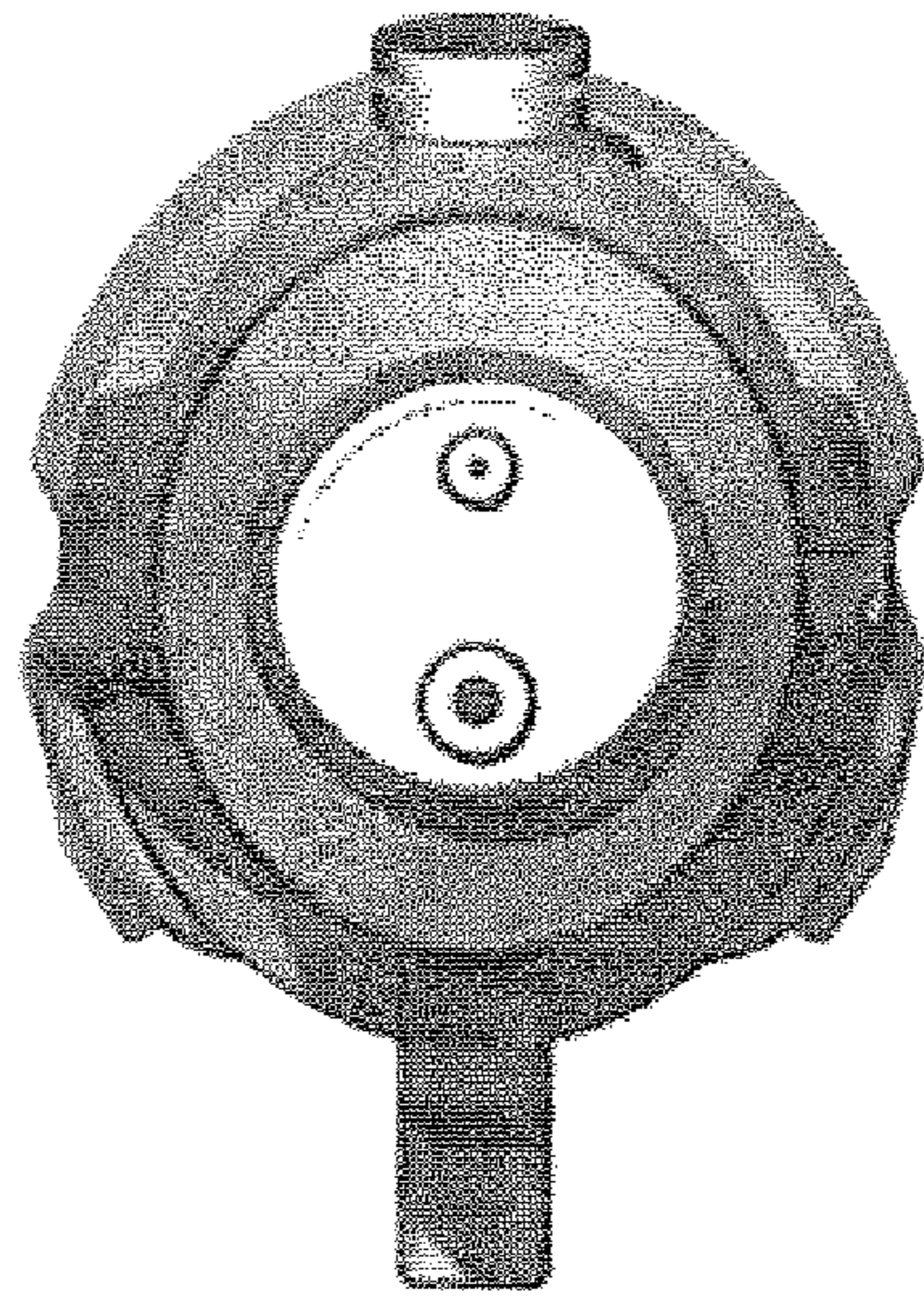


FIG. 7

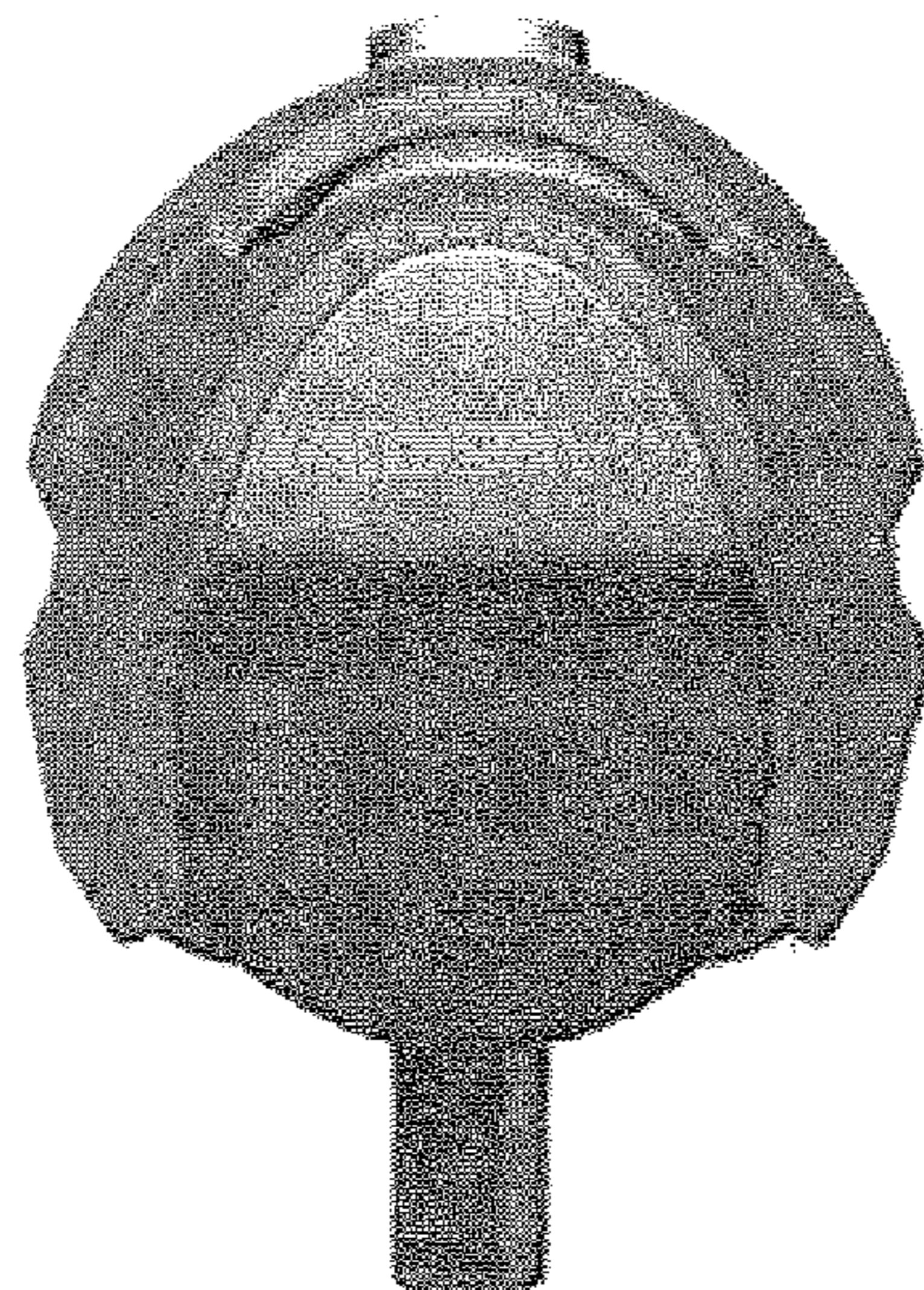


FIG. 8

UNITED STATES PATENT AND TRADEMARK OFFICE
CERTIFICATE OF CORRECTION

PATENT NO. : Des. 588,212 S
APPLICATION NO. : 29/318403
DATED : March 10, 2009
INVENTOR(S) : Andreas Stadlbauer

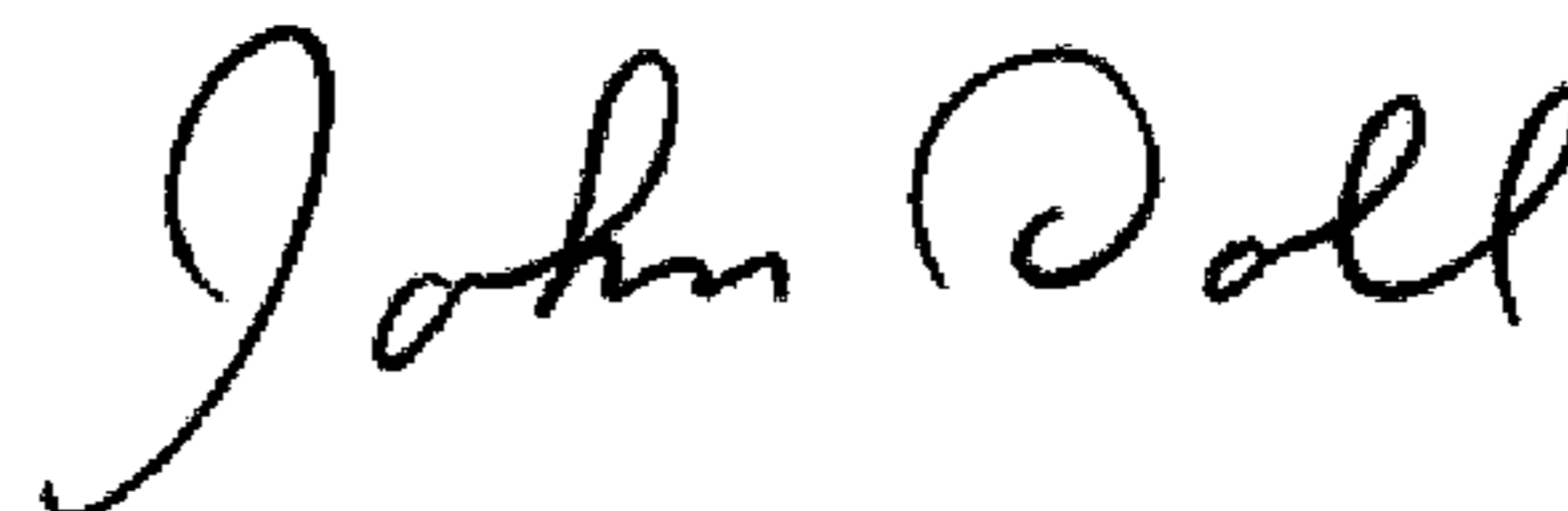
Page 1 of 1

It is certified that error appears in the above-identified patent and that said Letters Patent is hereby corrected as shown below:

Title page,
Assignee item (73) delete "GES m.b..H., Slazburg (AT)" and
substitute therefore -- GES m.b.H., Salzburg (AT) --

Signed and Sealed this

Twelfth Day of May, 2009



JOHN DOLL
Acting Director of the United States Patent and Trademark Office