



US00D588211S

(12) **United States Design Patent**  
**Croston et al.**

(10) **Patent No.:** **US D588,211 S**  
(45) **Date of Patent:** **\*\* Mar. 10, 2009**

(54) **CONSTRUCTION TOY COMPONENT**

D512,748 S \* 12/2005 Hageman ..... D21/503

(75) Inventors: **Heather Croston**, Ambler, PA (US);  
**Matthias F. W. Doepner**, Harleysville,  
PA (US)

\* cited by examiner

*Primary Examiner*—Holly H Baynham

*Assistant Examiner*—Cynthia M Chin

(73) Assignee: **K’NEX Limited Partnership Group**,  
Hatfield, PA (US)

(74) *Attorney, Agent, or Firm*—Schweitzer Cornman Gross &  
Bondell LLP

(\*\*) Term: **14 Years**

(57) **CLAIM**

(21) Appl. No.: **29/321,762**

The ornamental design for a construction toy component, as  
shown and described.

(22) Filed: **Jul. 23, 2008**

**DESCRIPTION**

(51) **LOC (9) Cl.** ..... **21-01**

FIG. 1 is a top perspective view of a construction toy compo-  
nent;

(52) **U.S. Cl.** ..... **D21/503**

FIG. 2 is a front elevational view of the construction toy  
component of FIG. 1;

(58) **Field of Classification Search** ..... D21/484,  
D21/485, 488, 489, 490, 492, 493, 494, 500,  
D21/501, 502, 503, 505; D25/113, 117;  
446/69, 85, 102–128; 434/259, 403; 273/153,  
273/156

FIG. 3 is a top plan view of the construction toy component of  
FIG. 1;

See application file for complete search history.

FIG. 4 is a rear elevational view of the construction toy  
component of FIG. 1;

(56) **References Cited**

FIG. 5 is a first side elevational view of the construction toy  
component of FIG. 1; and,

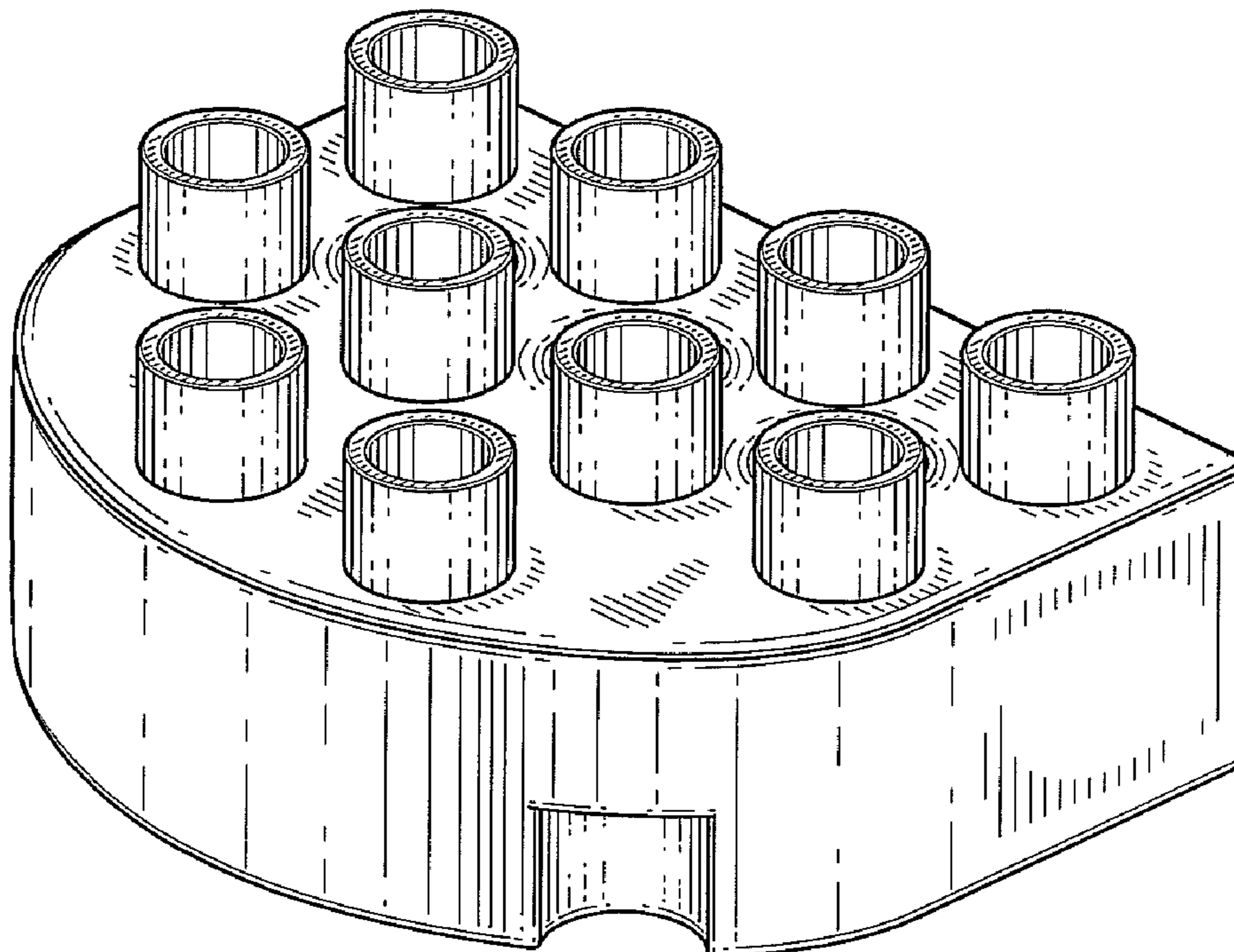
**U.S. PATENT DOCUMENTS**

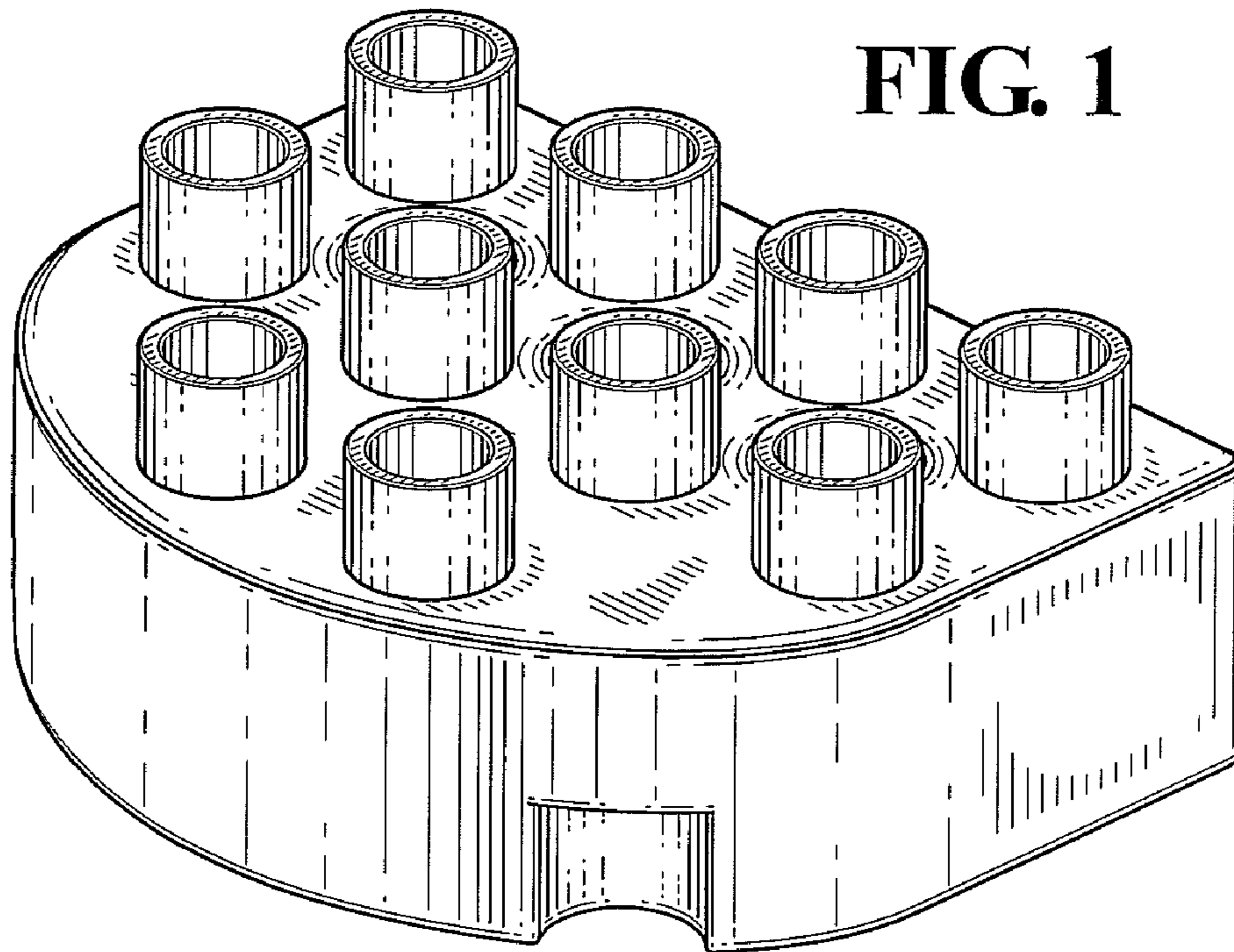
FIG. 6 is a second side elevational view of the construction  
toy component of FIG. 1;

D311,938 S	*	11/1990	Andersen	.....	D21/503
D313,438 S	*	1/1991	Andersen	.....	D21/503
D361,100 S	*	8/1995	Skov et al.	.....	D21/503
D456,048 S	*	4/2002	Sorensen	.....	D21/503
D464,381 S	*	10/2002	Sorensen	.....	D21/503
D464,683 S	*	10/2002	Sorensen	.....	D21/503
D472,942 S	*	4/2003	Sorensen	.....	D21/503

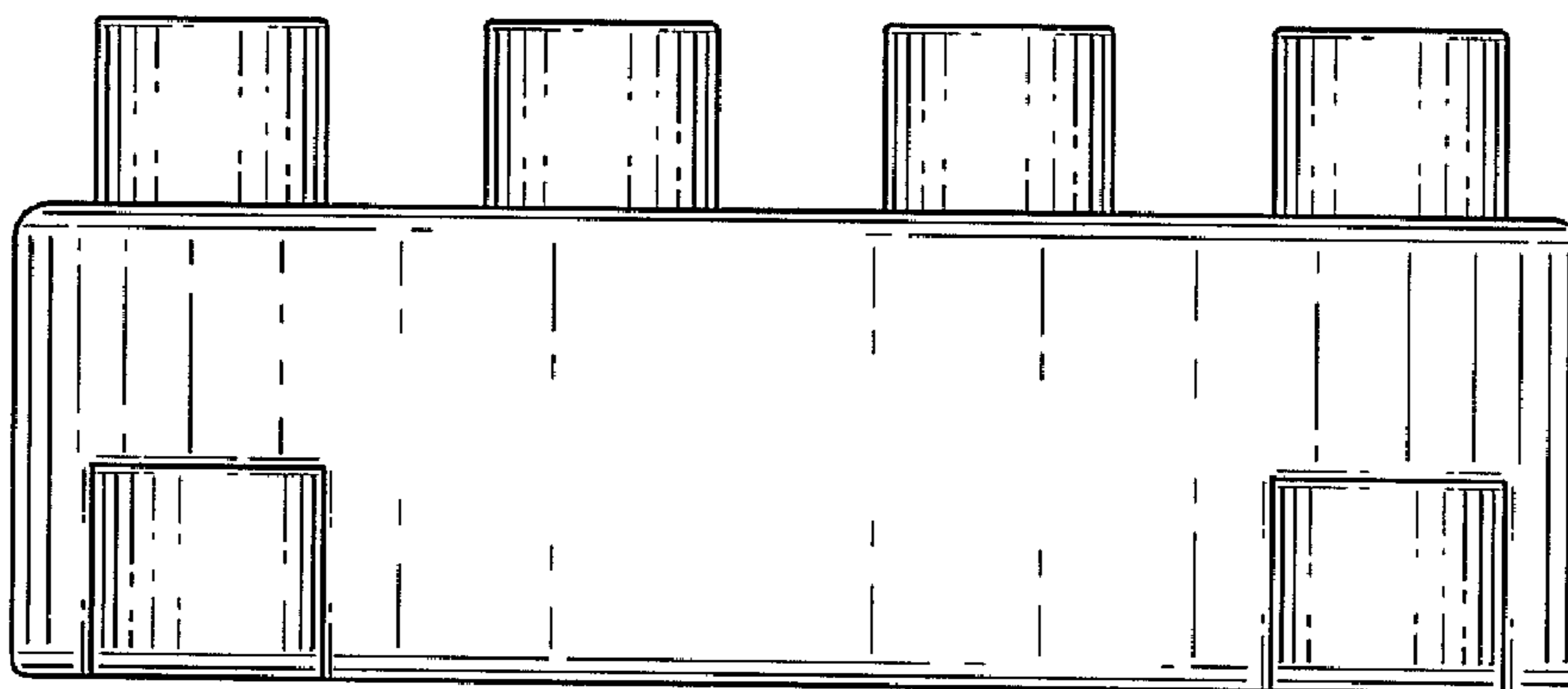
The broken lines are intended to show environmental struc-  
ture and form no part of the claimed design. The bottom forms  
no part of the claimed design.

**1 Claim, 3 Drawing Sheets**

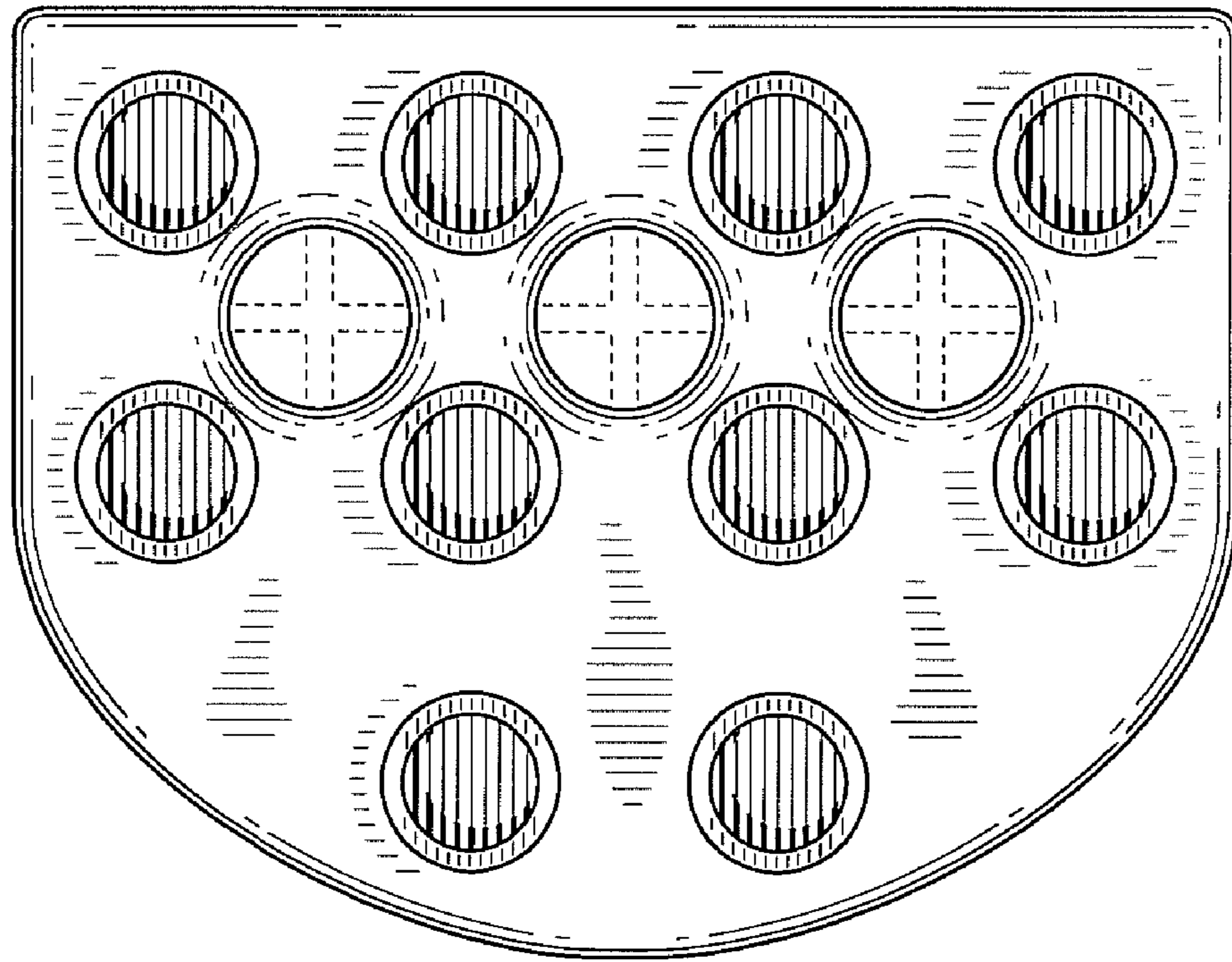




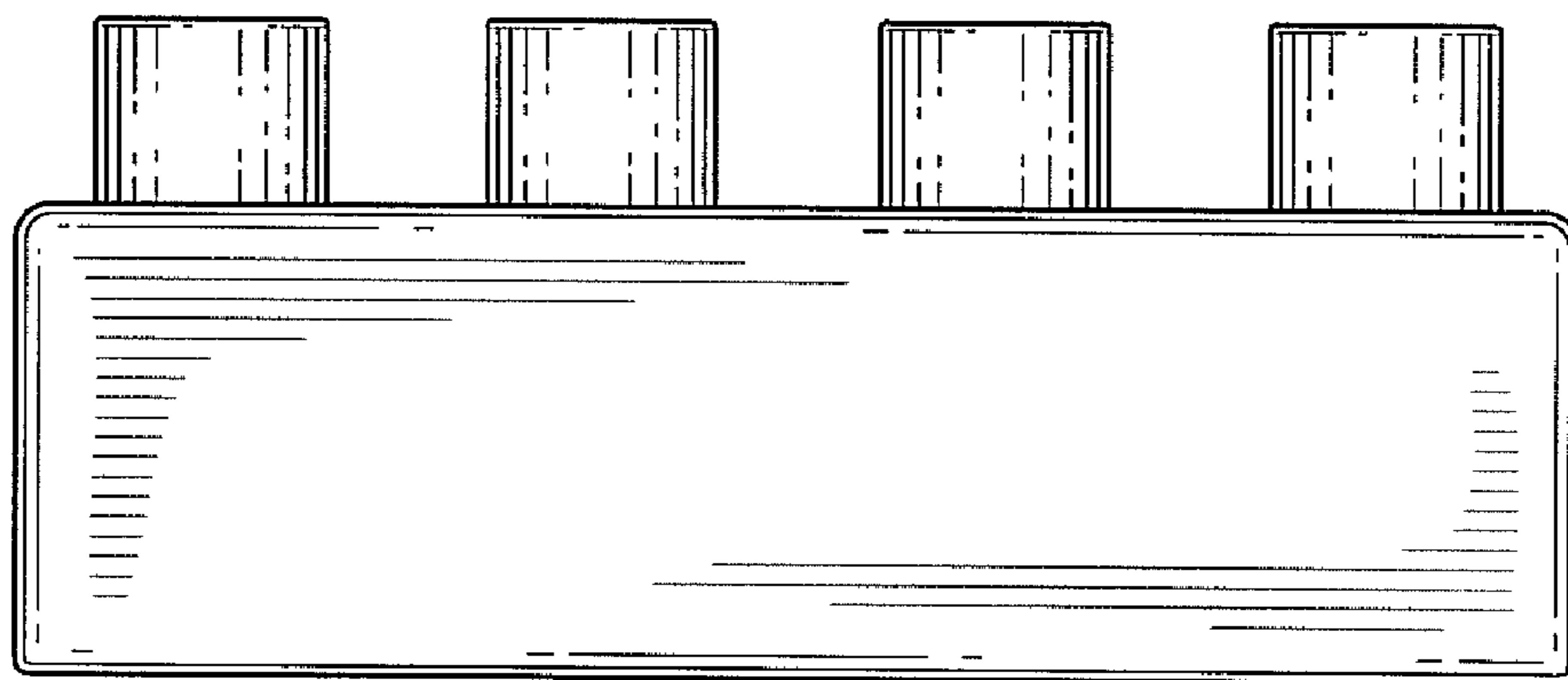
**FIG. 1**



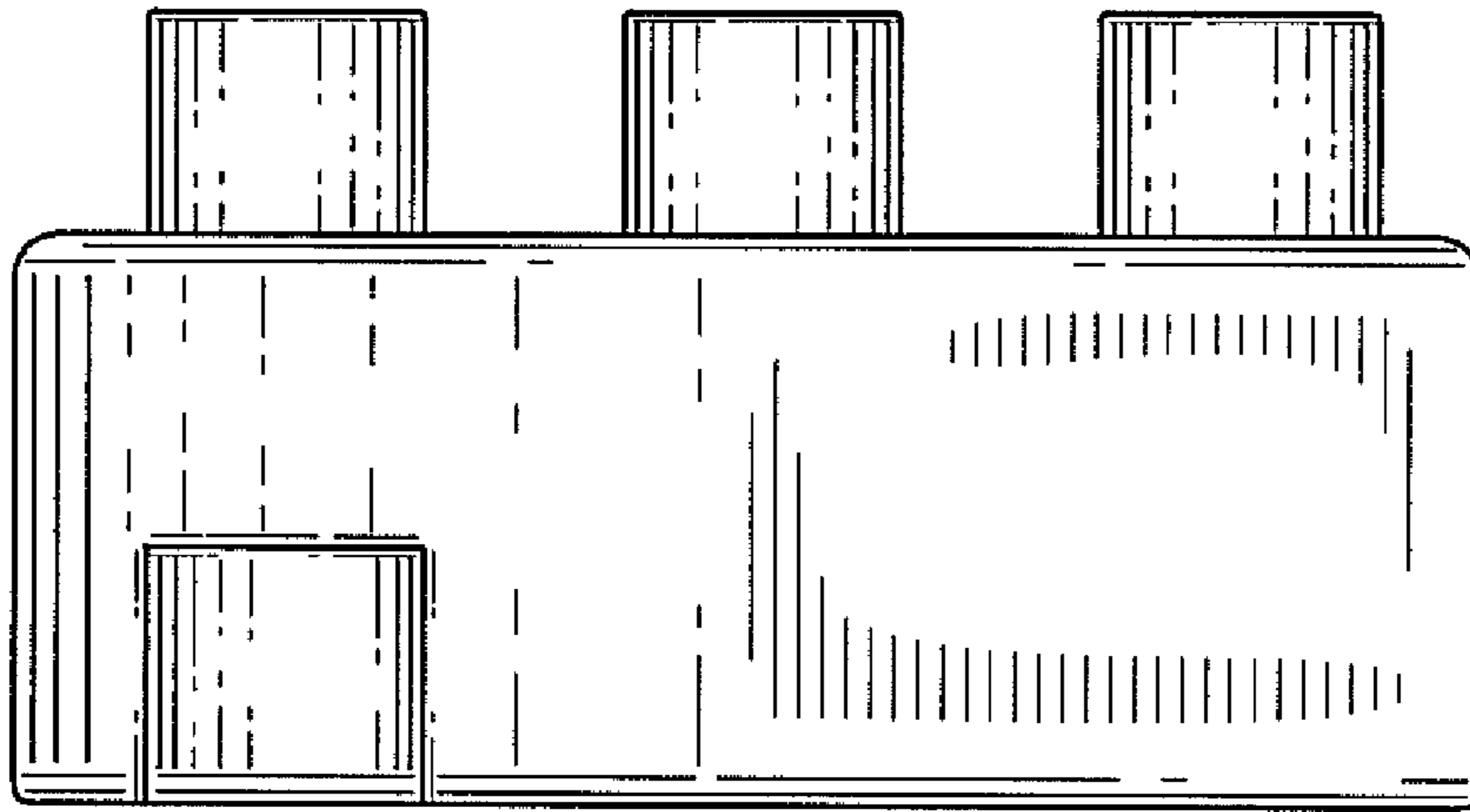
**FIG. 2**



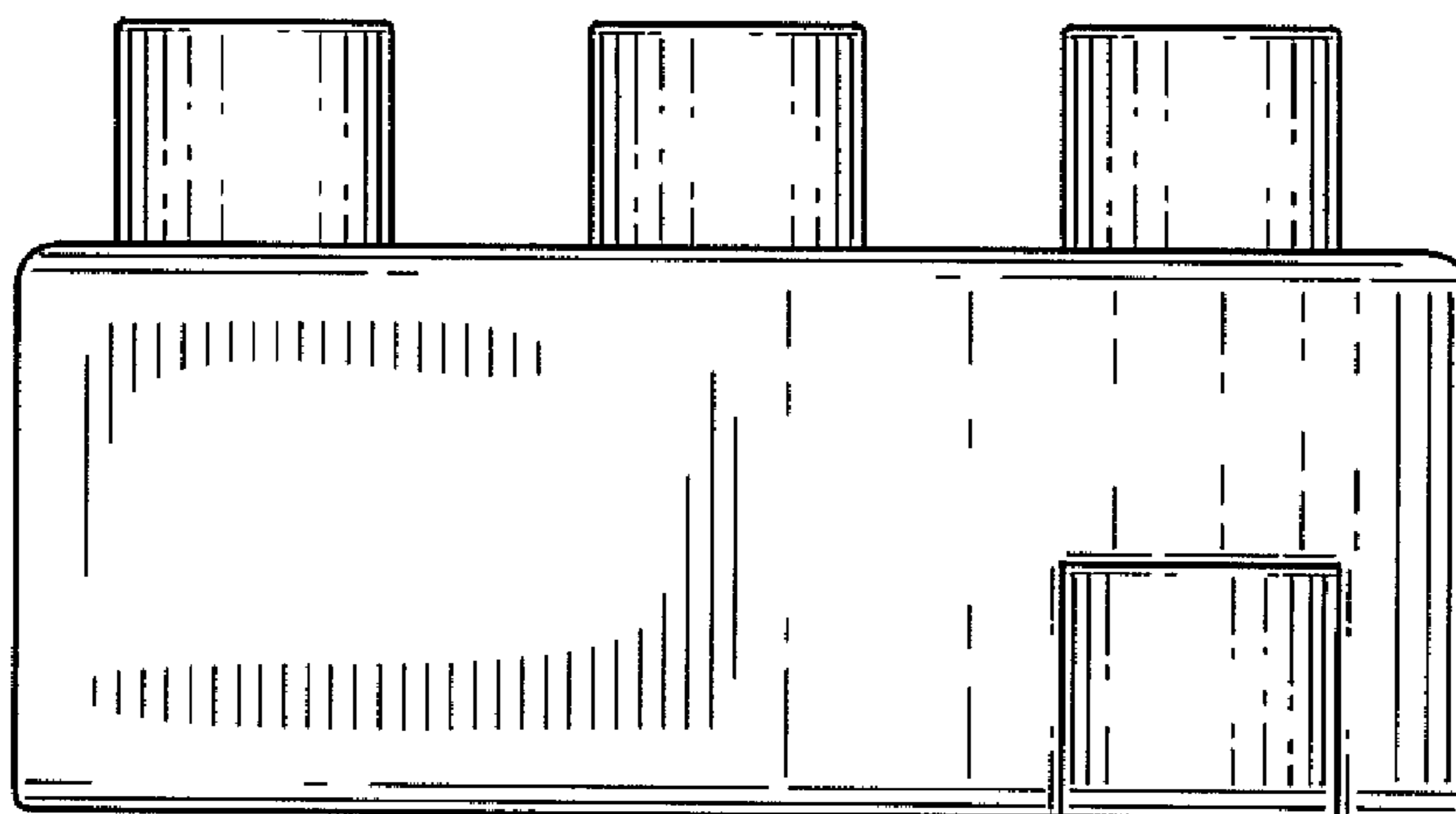
**FIG. 3**



**FIG. 4**



**FIG. 5**



**FIG. 6**