



US00D588210S

(12) **United States Design Patent**
Croston et al.

(10) **Patent No.:** **US D588,210 S**

(45) **Date of Patent:** **** Mar. 10, 2009**

(54) **CONSTRUCTION TOY COMPONENT**

(75) Inventors: **Heather Croston**, Ambler, PA (US);
Matthias F. W. Doepner, Harleysville,
PA (US)

(73) Assignee: **K'NEX Limited Parntership Group**,
Hatfield, PA (US)

(**) Term: **14 Years**

(21) Appl. No.: **29/321,761**

(22) Filed: **Jul. 23, 2008**

(51) **LOC (9) Cl.** **21-01**

(52) **U.S. Cl.** **D21/503**

(58) **Field of Classification Search** D21/484,
D21/485, 488, 489, 490, 492, 493, 494, 500,
D21/501, 502, 503, 505; D25/113, 117;
446/69, 85, 102-128; 434/259, 403; 273/153,
273/156

See application file for complete search history.

(56) **References Cited**

U.S. PATENT DOCUMENTS

D311,224 S	*	10/1990	Olsen	D21/503
D313,438 S	*	1/1991	Andersen	D21/503
D361,100 S	*	8/1995	Skov et al.	D21/503
D362,875 S	*	10/1995	Vognsen	D21/500
D464,381 S	*	10/2002	Sorensen	D21/503
D464,683 S	*	10/2002	Sorensen	D21/503
D547,394 S	*	7/2007	Toft	D21/484

* cited by examiner

Primary Examiner—Holly H Baynham

Assistant Examiner—Cynthia M Chin

(74) *Attorney, Agent, or Firm*—Schweitzer Cornman Gross &
Bondell LLP

(57) **CLAIM**

The ornamental design for a construction toy component, as shown and described.

DESCRIPTION

FIG. 1 is a top perspective view of a construction toy component;

FIG. 2 is a front elevational view of the construction toy component of FIG. 1;

FIG. 3 is a top plan view of the construction toy component of FIG. 1;

FIG. 4 is a rear elevational view of the construction toy component of FIG. 1;

FIG. 5 is a first side elevational view of the construction toy component of FIG. 1; and,

FIG. 6 is a second side elevational view of the construction toy component of FIG. 1.

The broken lines are intended to show environmental structure and form no part of the claimed design. The bottom forms no part of the claimed design.

1 Claim, 3 Drawing Sheets

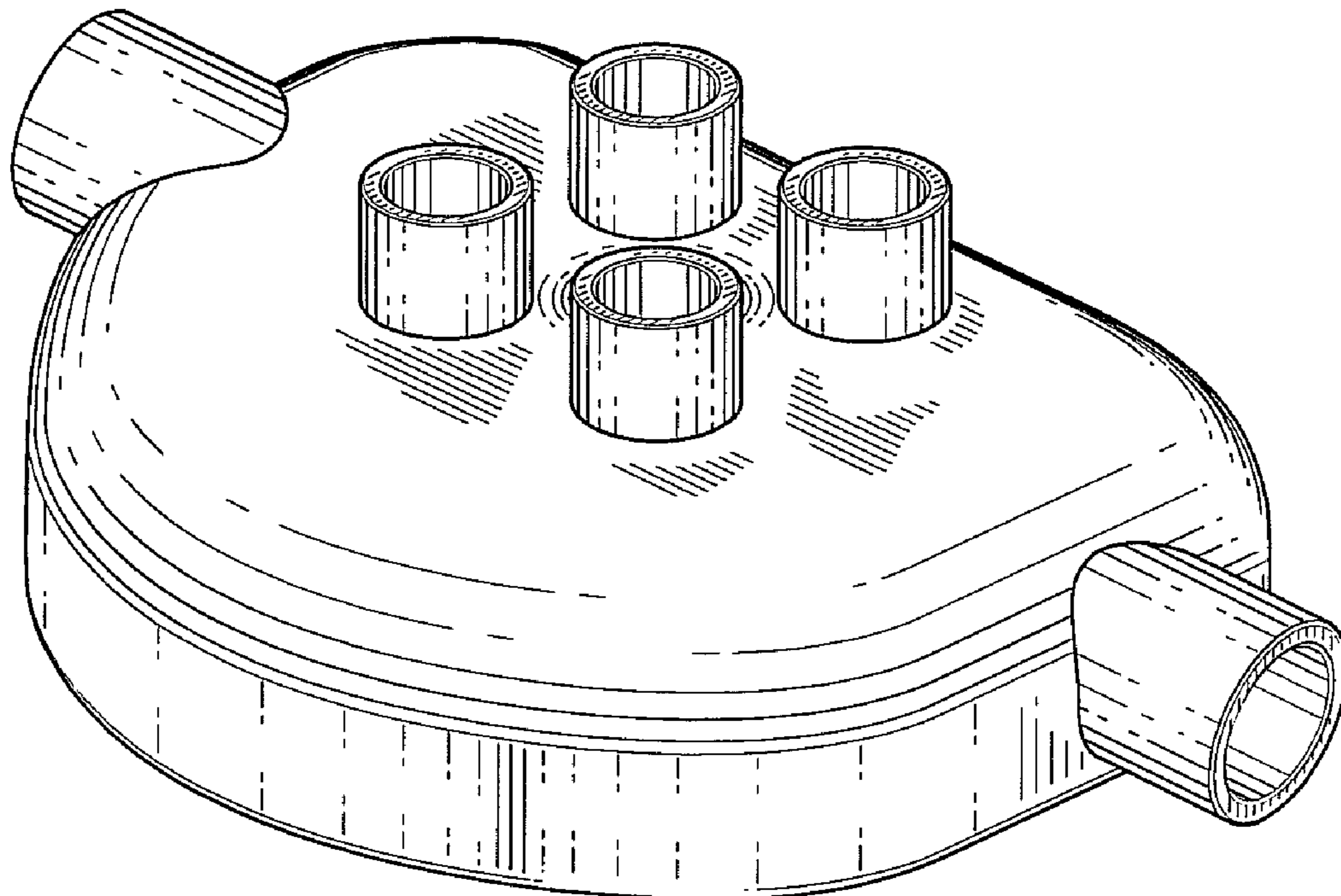


FIG. 1

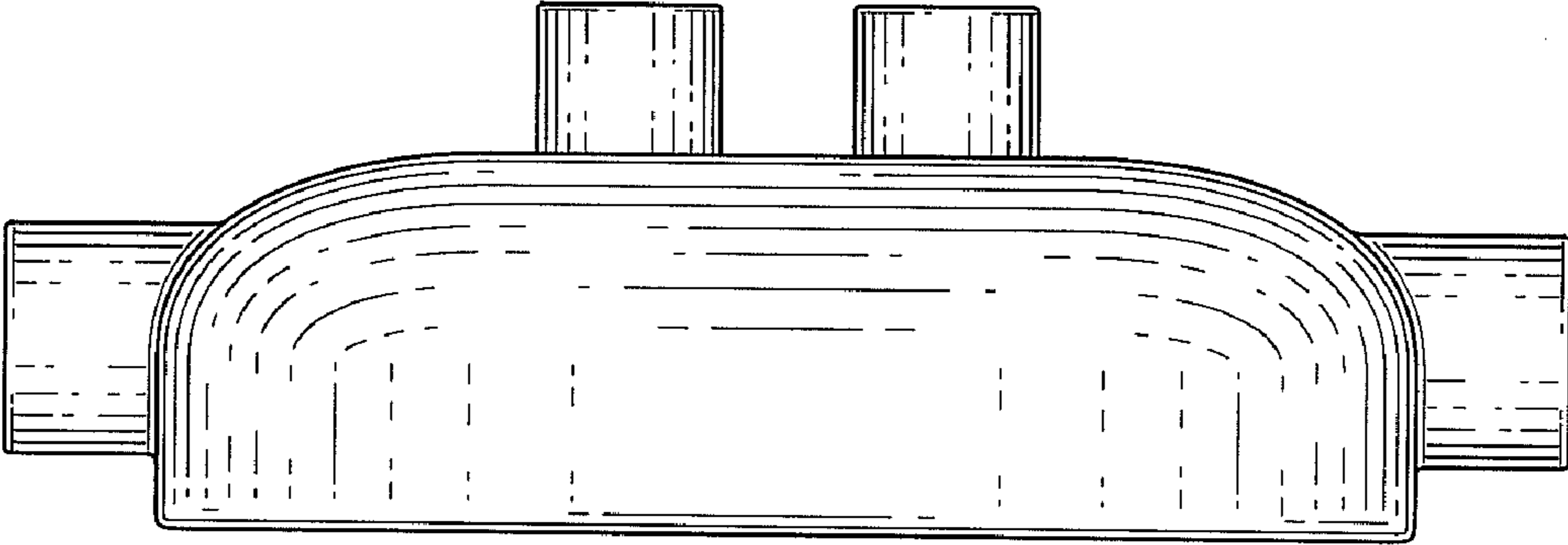
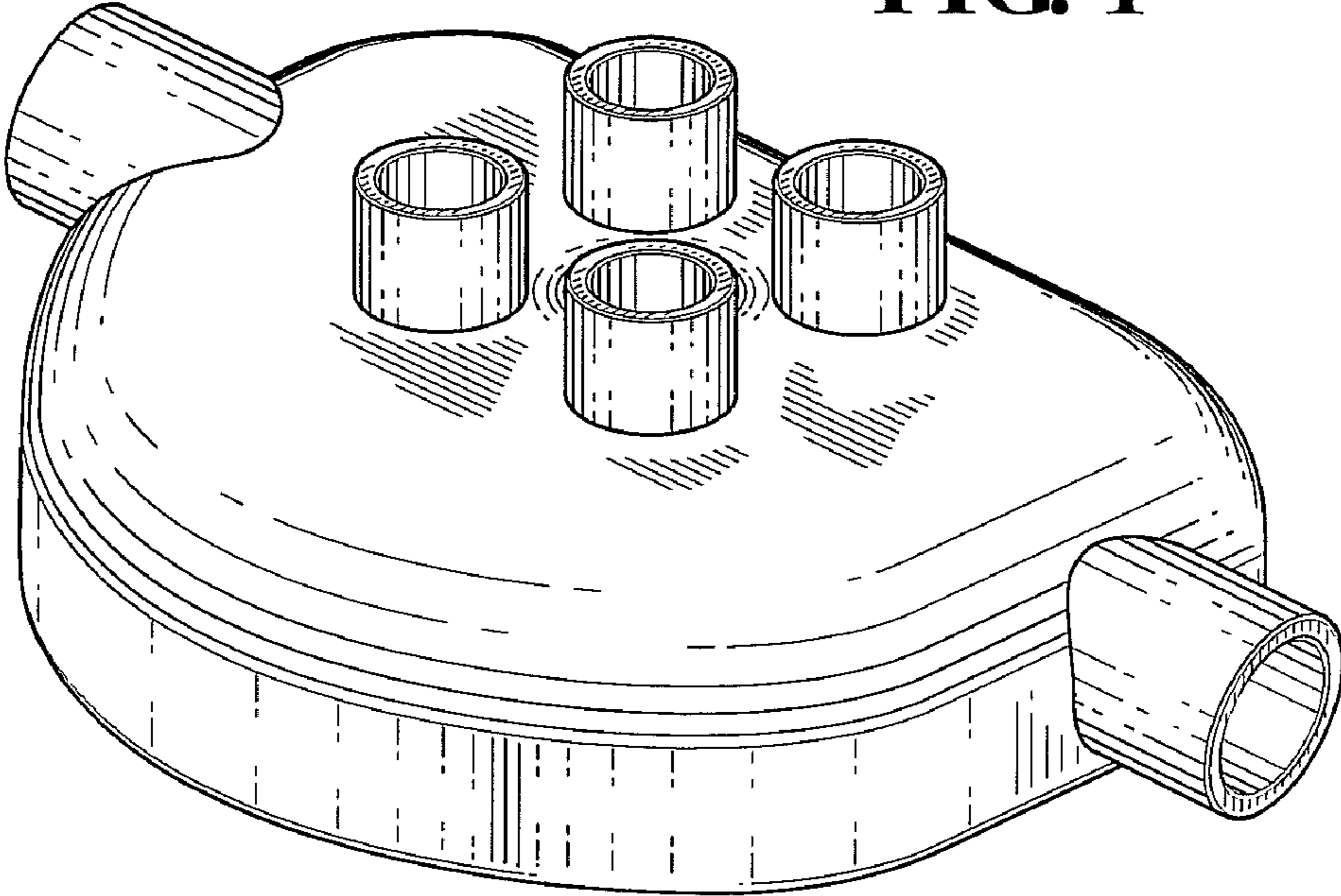


FIG. 2

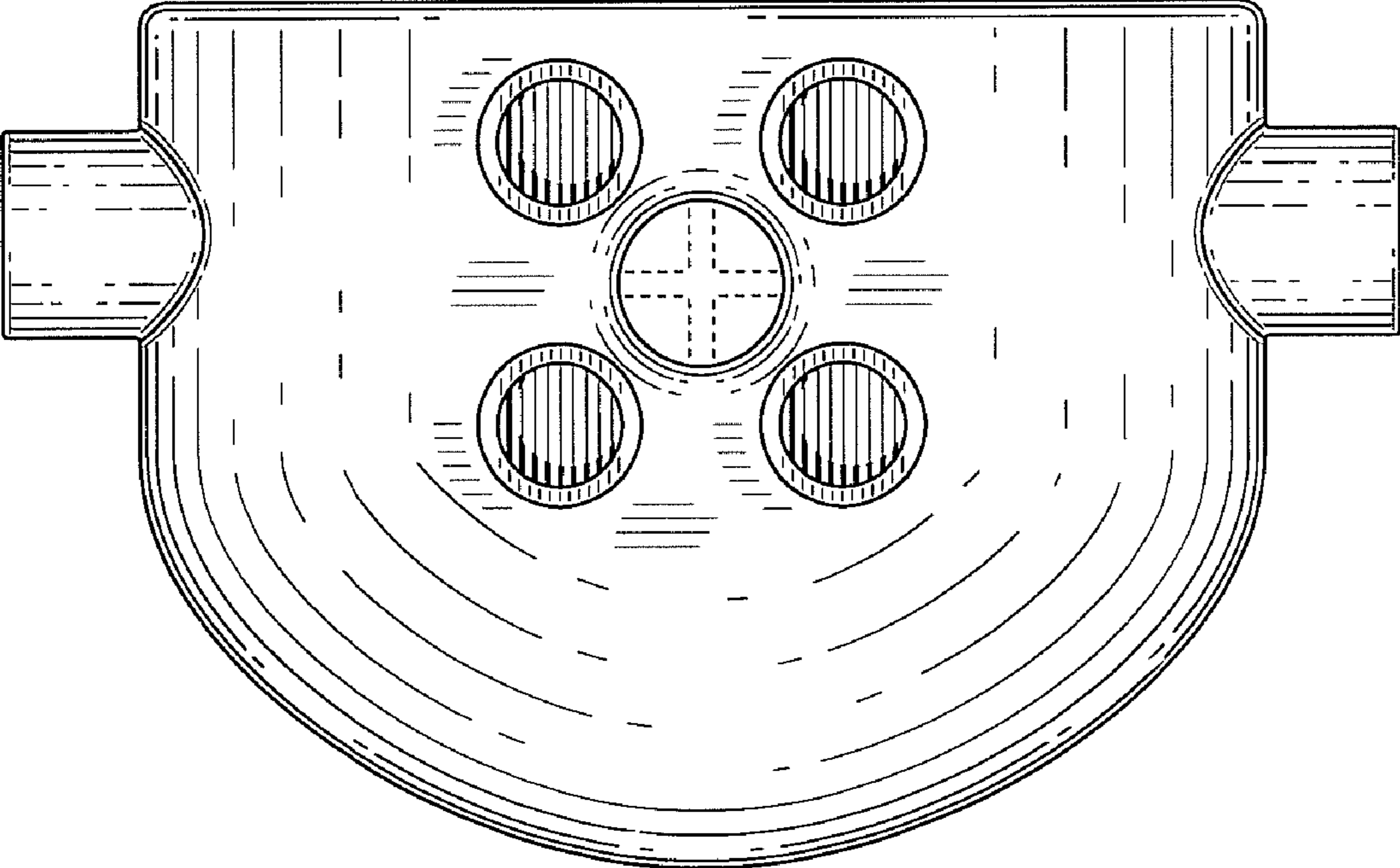


FIG. 3

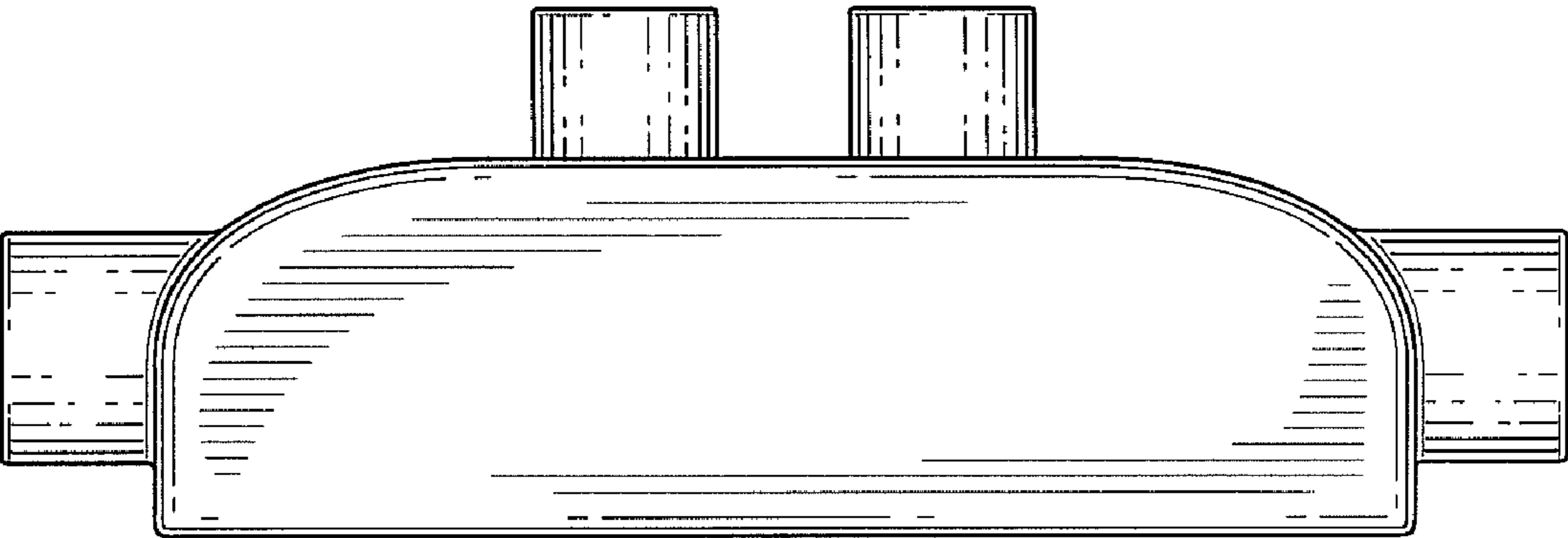


FIG. 4

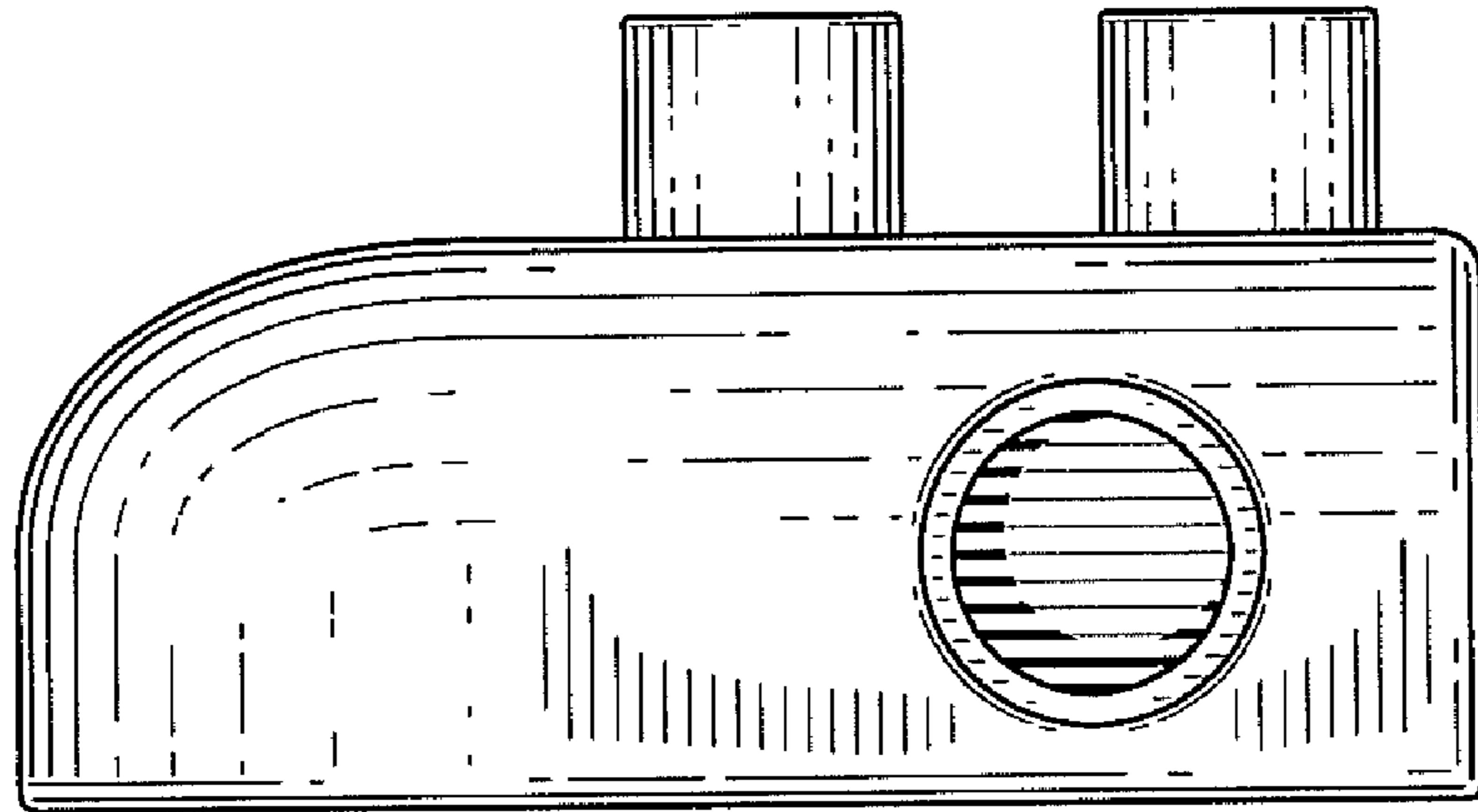


FIG. 5

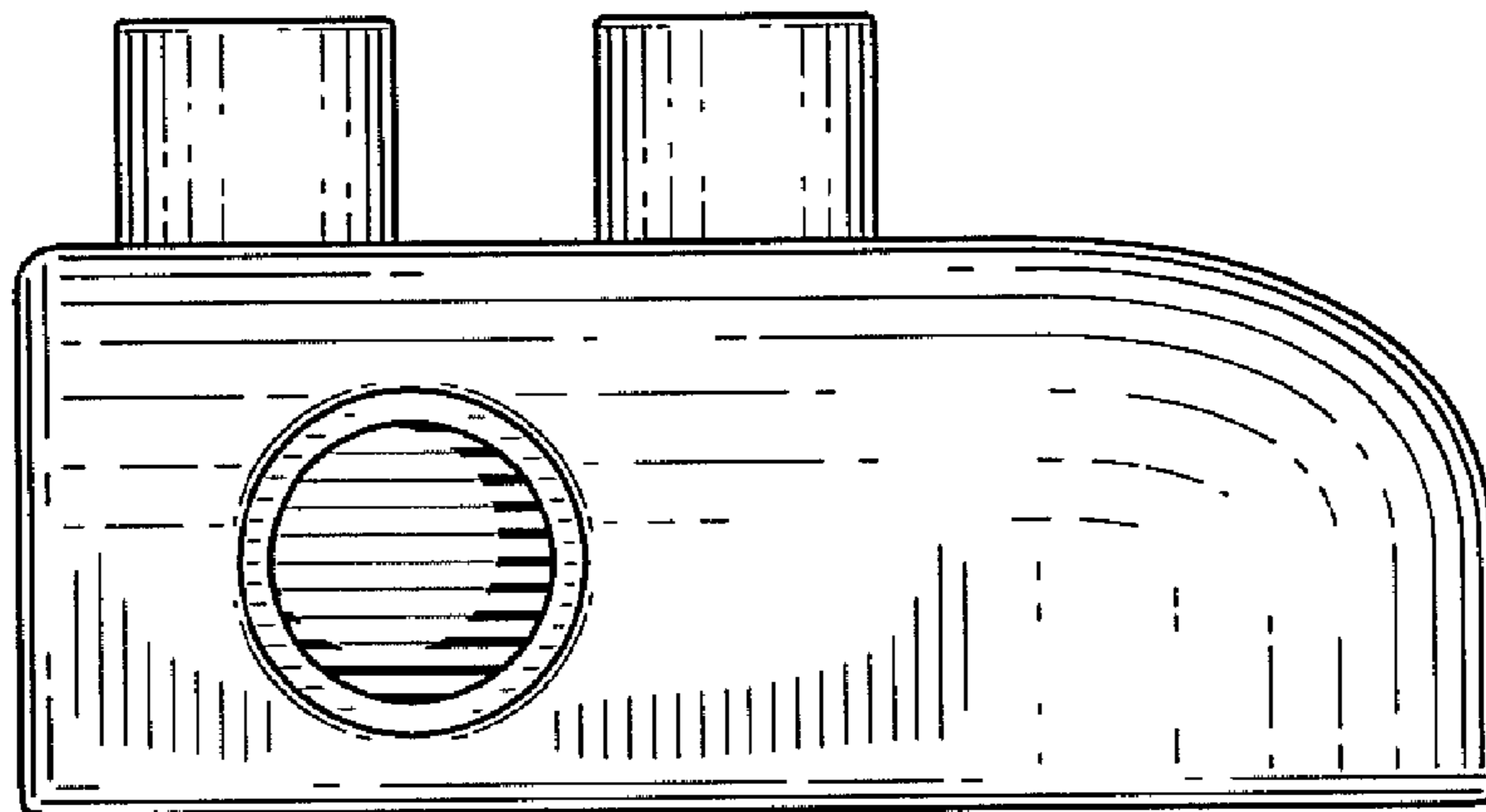


FIG. 6