



US00D588206S

(12) **United States Design Patent**
Croston et al.

(10) **Patent No.:** **US D588,206 S**
(45) **Date of Patent:** **** Mar. 10, 2009**

(54) **CONSTRUCTION TOY COMPONENT**

(75) Inventors: **Heather Croston**, Ambler, PA (US);
Matthias F. W. Doepner, Harleysville,
PA (US)

(73) Assignee: **K’NEX Limited Partnership Group**,
Hatfield, PA (US)

(**) Term: **14 Years**

(21) Appl. No.: **29/321,765**

(22) Filed: **Jul. 23, 2008**

(51) **LOC (9) Cl.** **21-01**

(52) **U.S. Cl.** **D21/493; D21/658**

(58) **Field of Classification Search** D21/439,
D21/468, 483, 493, 503, 587, 593, 594, 589,
D21/621–649, 658, 689, 718; D2/615; D20/32;
D29/116; 446/97–101, 124, 336, 340, 354,
446/359, 361, 362, 363, 376, 379, 382, 387,
446/388, 390

See application file for complete search history.

(56) **References Cited**

U.S. PATENT DOCUMENTS

2,747,329 A * 5/1956 Gruenewaelder 446/363

(Continued)

Primary Examiner—Holly H Baynham

Assistant Examiner—Cynthia M Chin

(74) *Attorney, Agent, or Firm*—Schweitzer Cornman Gross &
Bondell LLP

(57) **CLAIM**

The ornamental design for a construction toy component, as shown and described.

DESCRIPTION

FIG. 1 is a top perspective view of a first embodiment of the construction toy component;

FIG. 2 is a top plan view of the construction toy component of FIG. 1;

FIG. 3 is a first side elevational view of the construction toy component of FIG. 1;

FIG. 4 is a bottom plan view of the construction toy component of FIG. 1;

FIG. 5 is a second side elevational view of the construction toy component of FIG. 1;

FIG. 6 is a first end elevational view of the construction toy component of FIG. 1;

FIG. 7 is a second end elevational view of the construction toy component of FIG. 1;

FIG. 8 is a top perspective view of a second embodiment of the construction toy component;

FIG. 9 is a top plan view of the construction toy component of FIG. 8;

FIG. 10 is a first side elevational view of the construction toy component of FIG. 8;

FIG. 11 is a bottom plan view of the construction toy component of FIG. 8;

FIG. 12 is a second side elevational view of the construction toy component of FIG. 8;

FIG. 13 is a first end elevational view of the construction toy component of FIG. 8;

FIG. 14 is a second end elevational view of the construction toy component of FIG. 8;

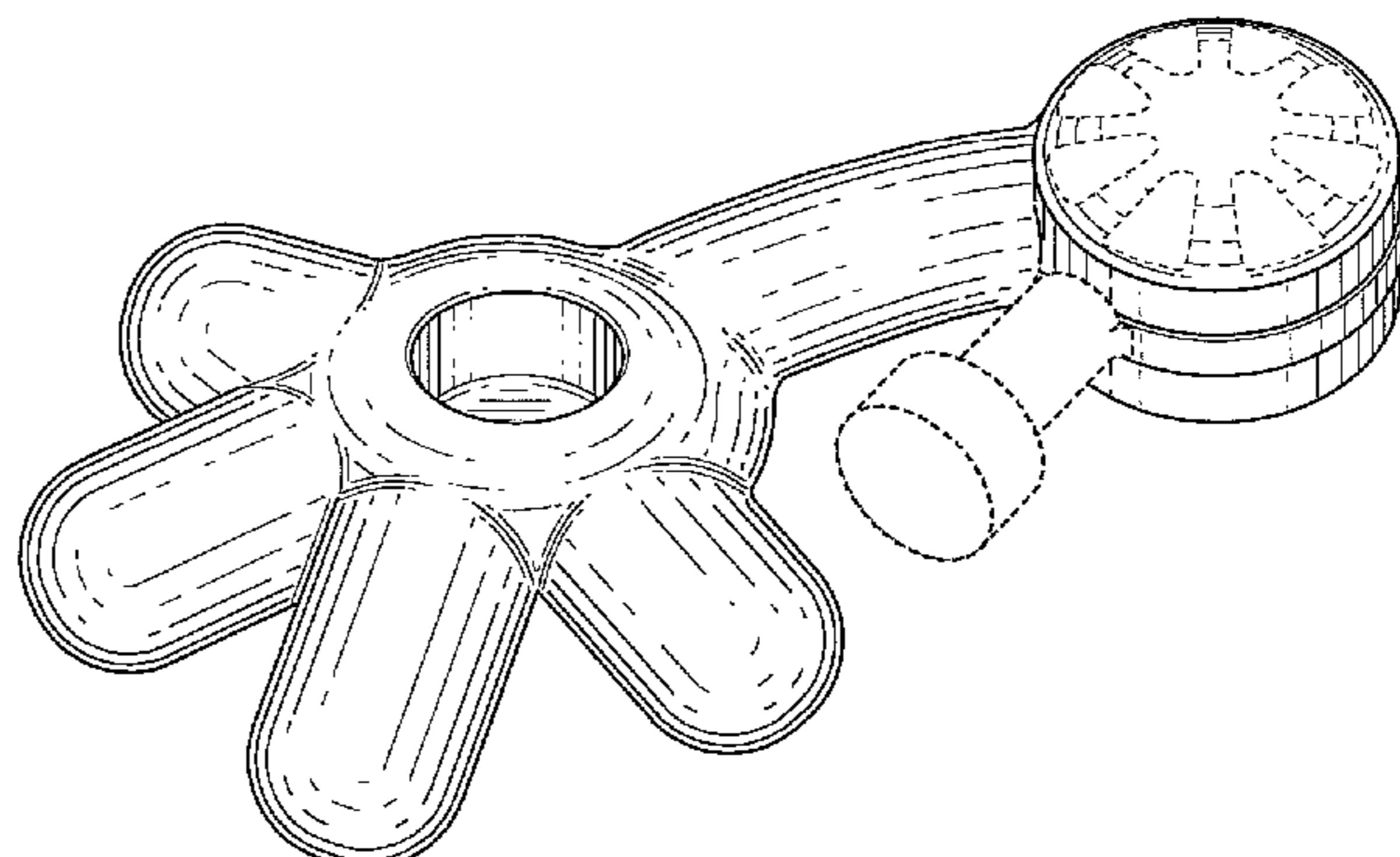
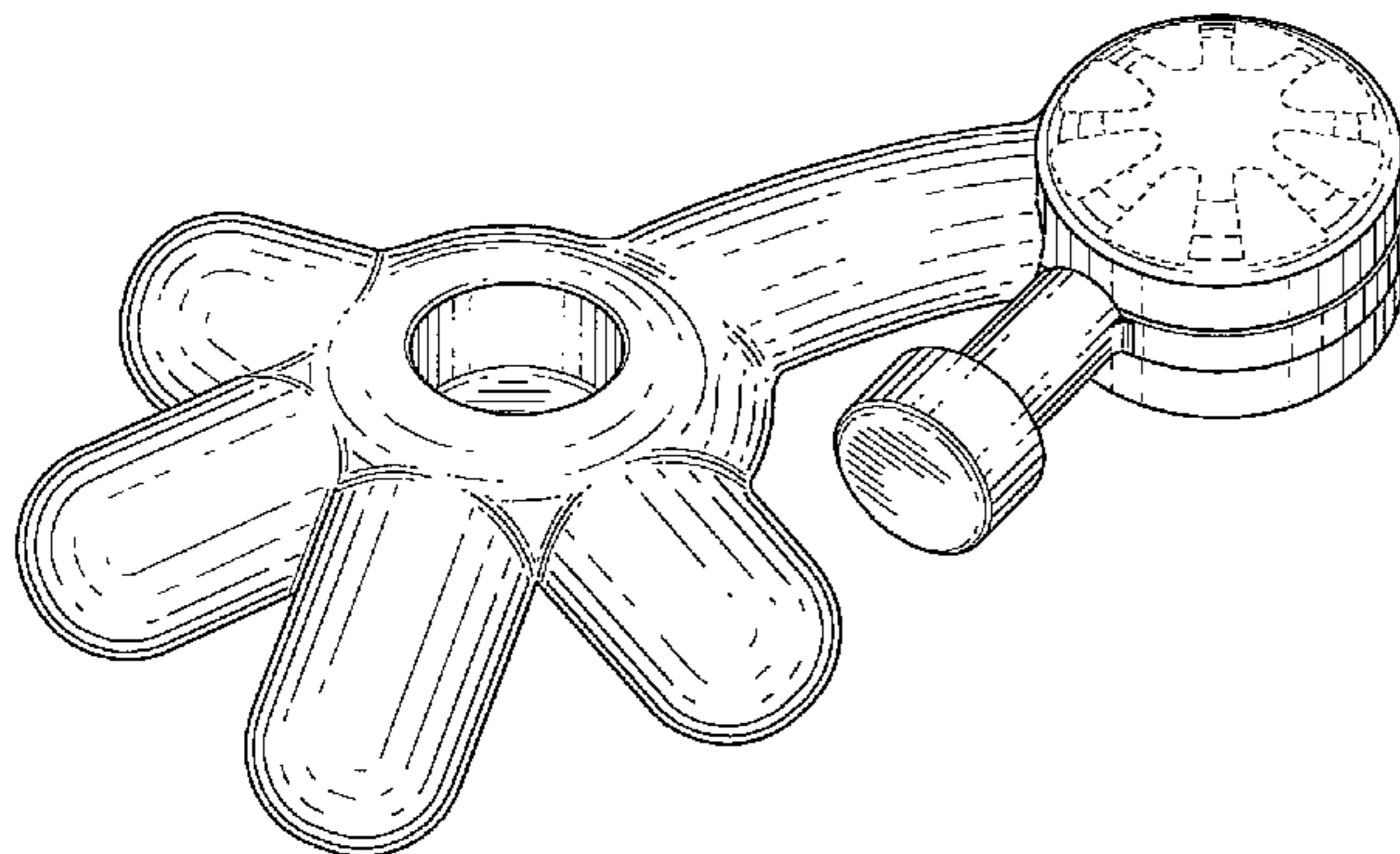
FIG. 15 is a top plan view of the construction toy component of FIG. 1, shown in a first alternative configuration;

FIG. 16 is a top plan view of the construction toy component of FIG. 1 shown in a second alternative configuration; and,

FIG. 17 is a top plan view of the construction toy component of FIG. 1, shown in a third alternative configuration.

The broken lines are intended to show environmental structure and form no part of the claimed design. The bottom forms no part of the claimed design.

1 Claim, 9 Drawing Sheets



US D588,206 S

Page 2

U.S. PATENT DOCUMENTS

3,727,343	A *	4/1973	Chiari	446/361	D474,513	S *	5/2003	Kichijo	D21/503
D234,147	S *	1/1975	Trageser	D21/621	D475,099	S *	5/2003	Manville	D21/658
D249,400	S *	9/1978	Pearson	D29/116.1	D475,100	S *	5/2003	Manville	D21/658
4,118,887	A *	10/1978	Appleman	446/97	D481,084	S *	10/2003	Manville	D21/658
D254,382	S *	3/1980	Suzuki	D21/468	D510,958	S *	10/2005	Strickland	D20/32
D304,748	S *	11/1989	Bowers	D21/684	D516,133	S *	2/2006	Fine et al.	D21/483
D310,109	S *	8/1990	Vega	D20/32	D536,156	S *	2/2007	McSweeney	D2/615
D404,448	S *	1/1999	Lawrence	D21/718	D552,188	S *	10/2007	Rapp	D21/439
					2008/0070469	A1 *	3/2008	Wuethrich	446/124

* cited by examiner

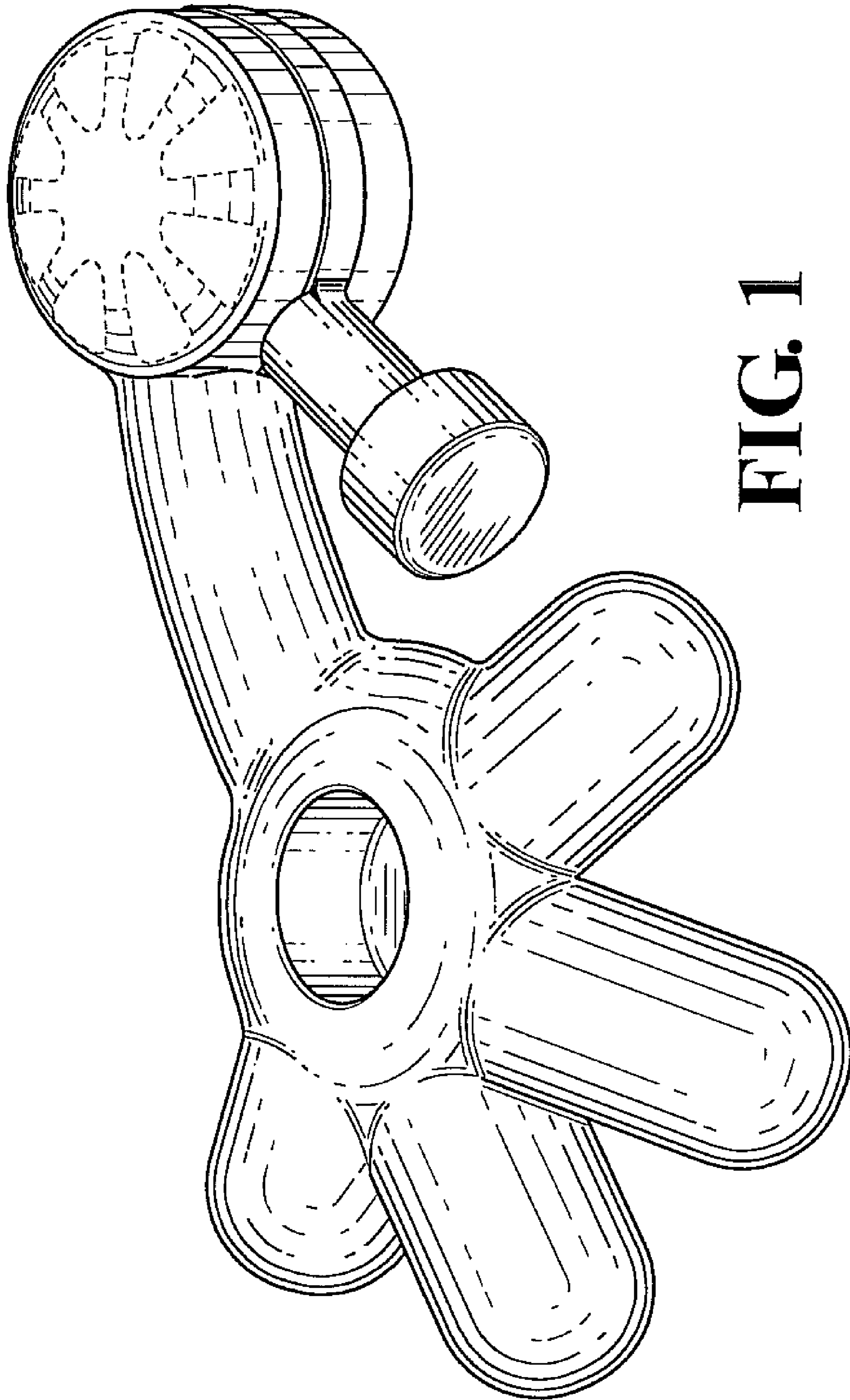


FIG. 1

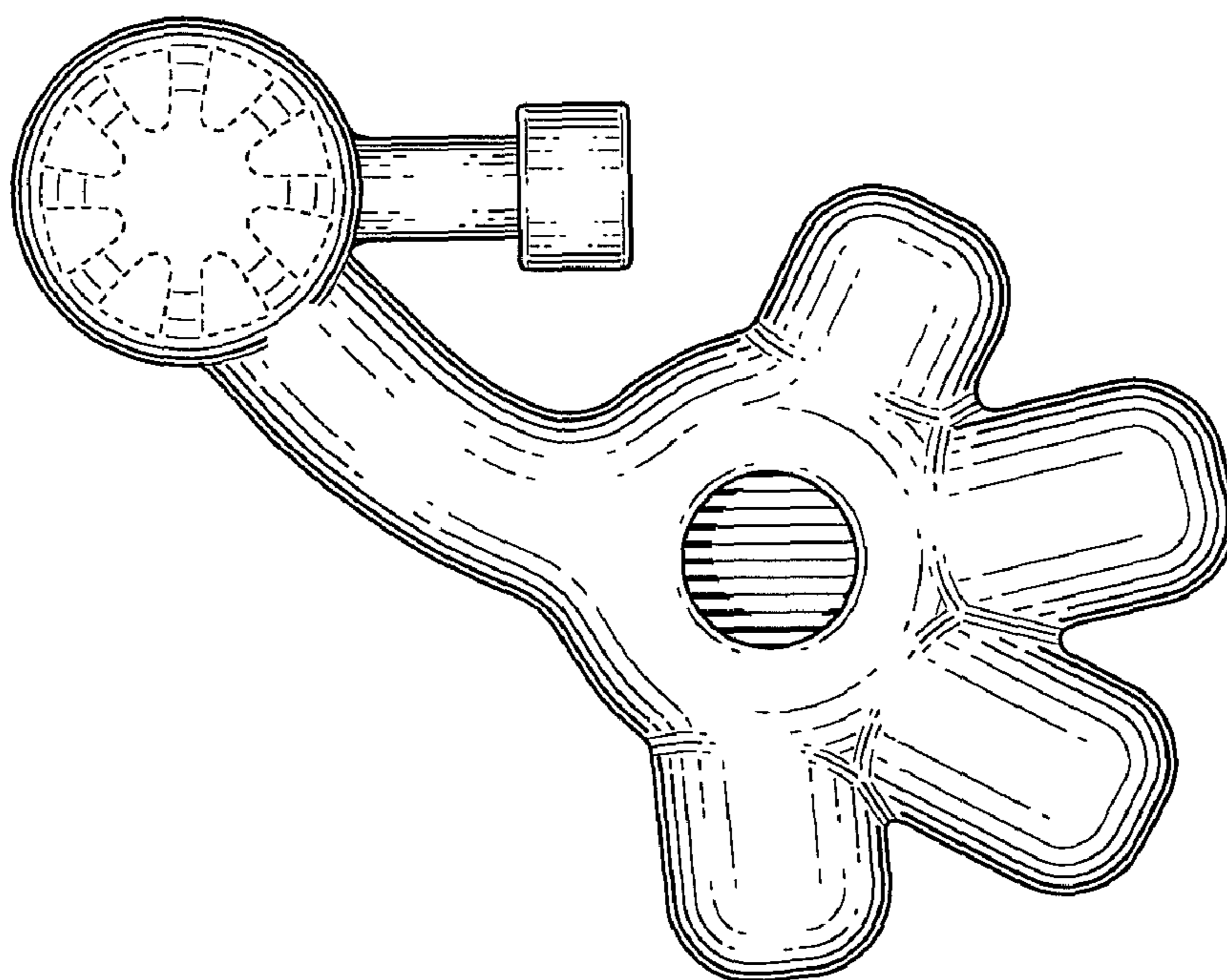


FIG. 2



FIG. 3

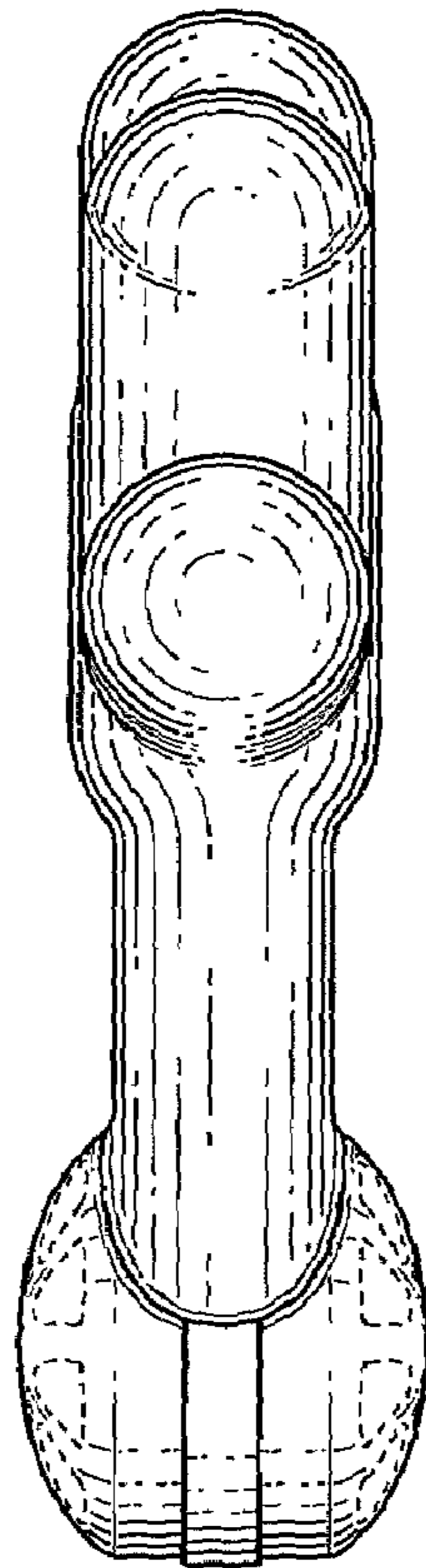


FIG. 5

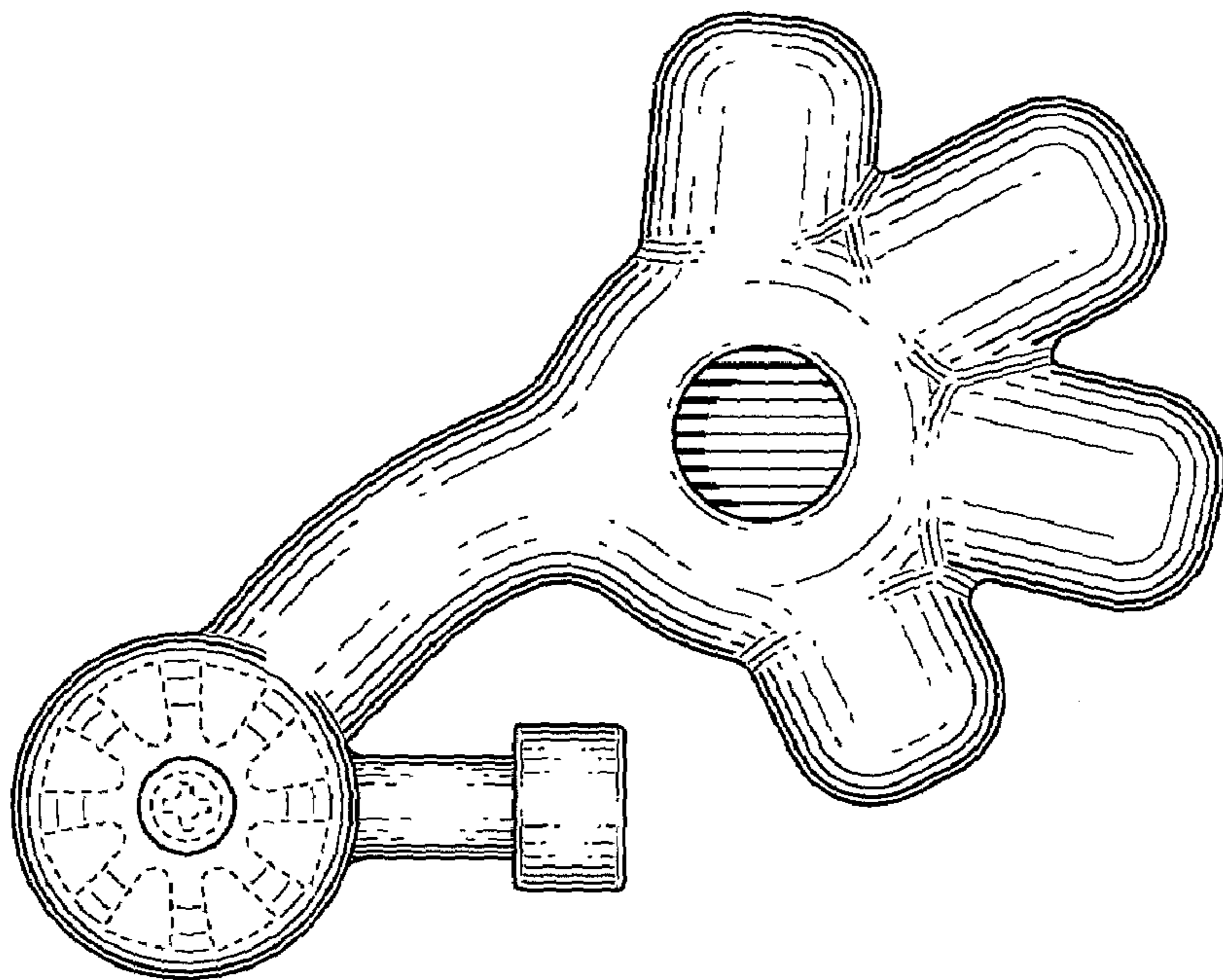


FIG. 4

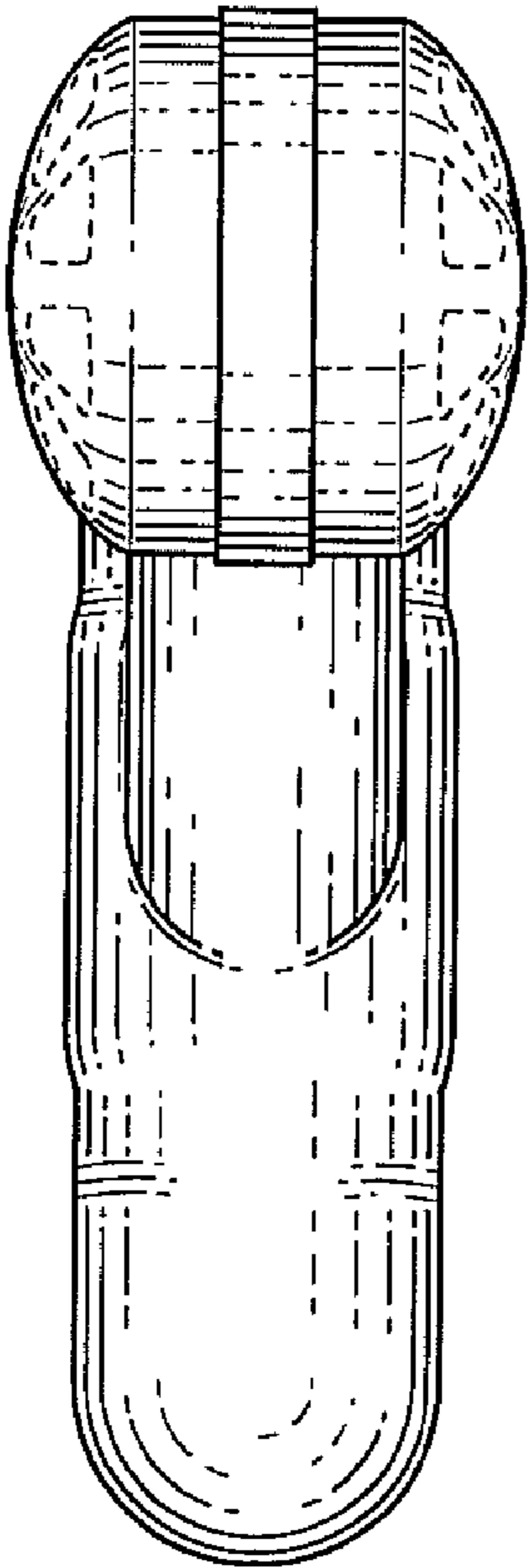


FIG. 6

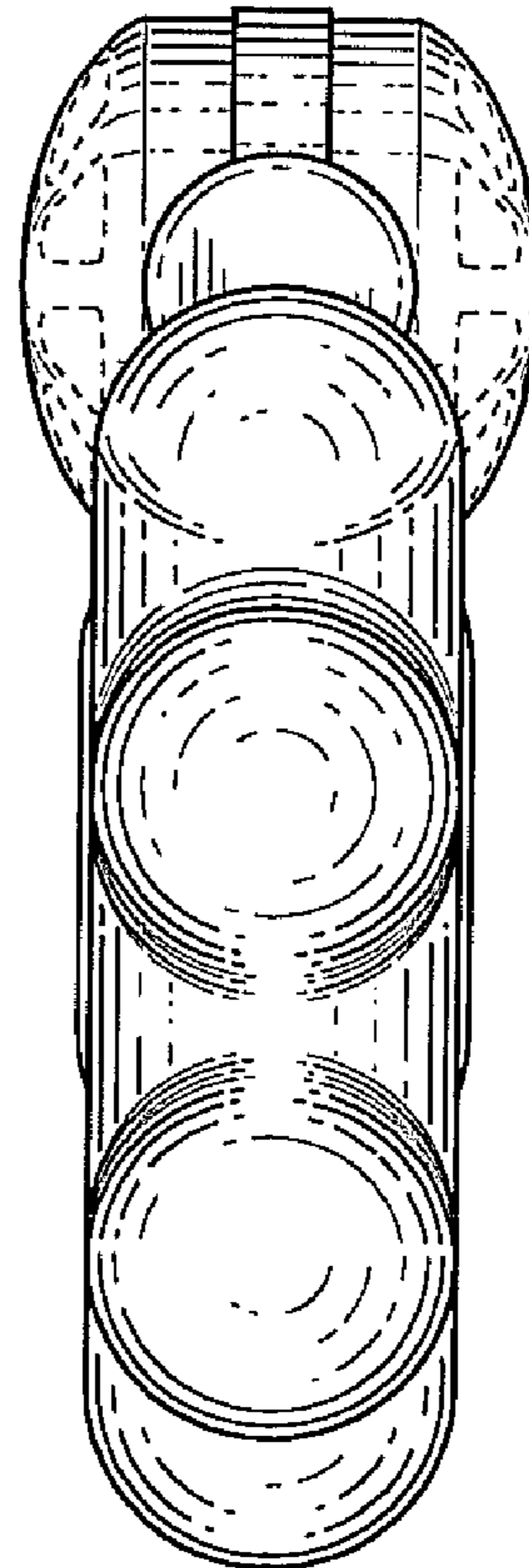


FIG. 7

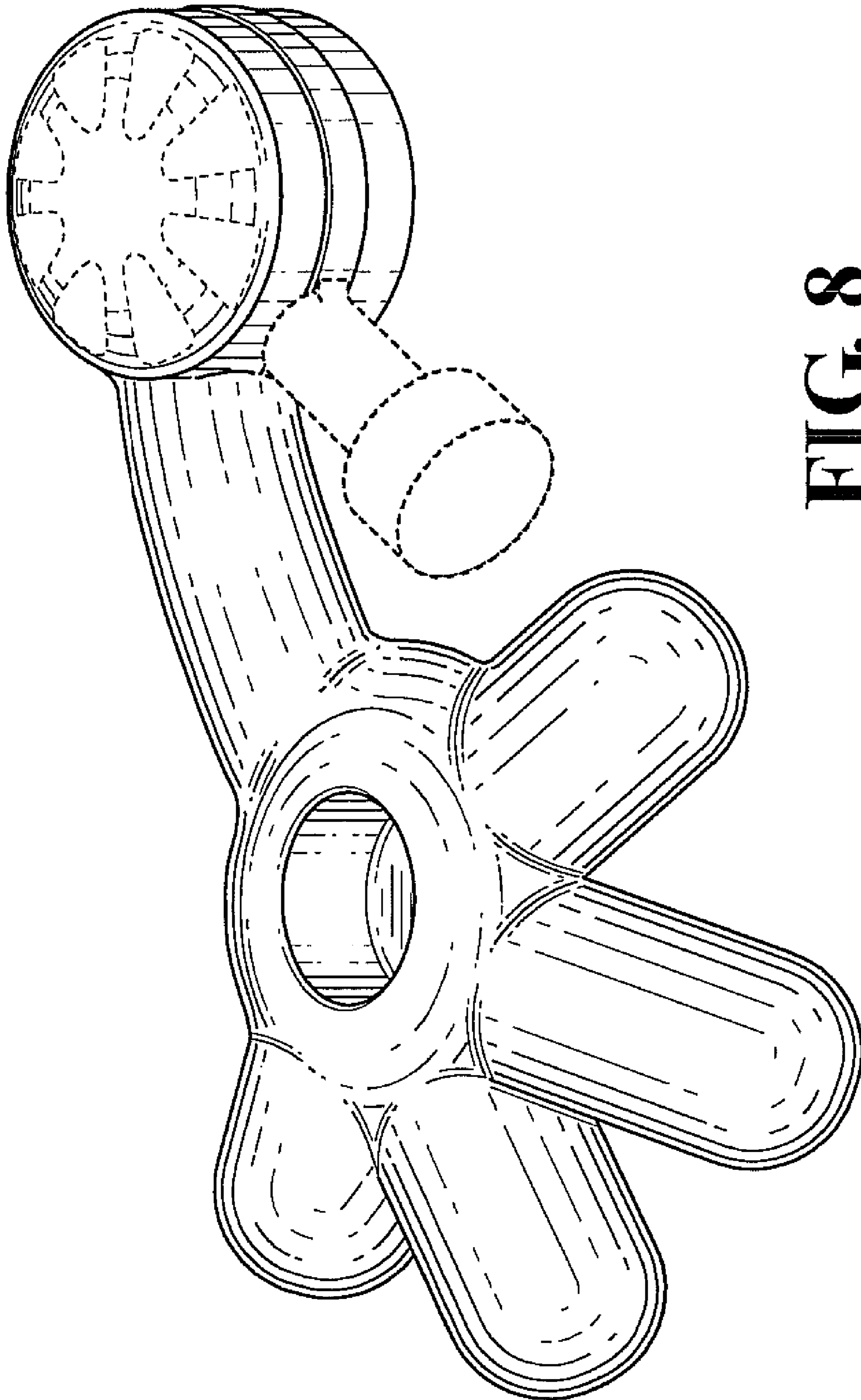


FIG. 8

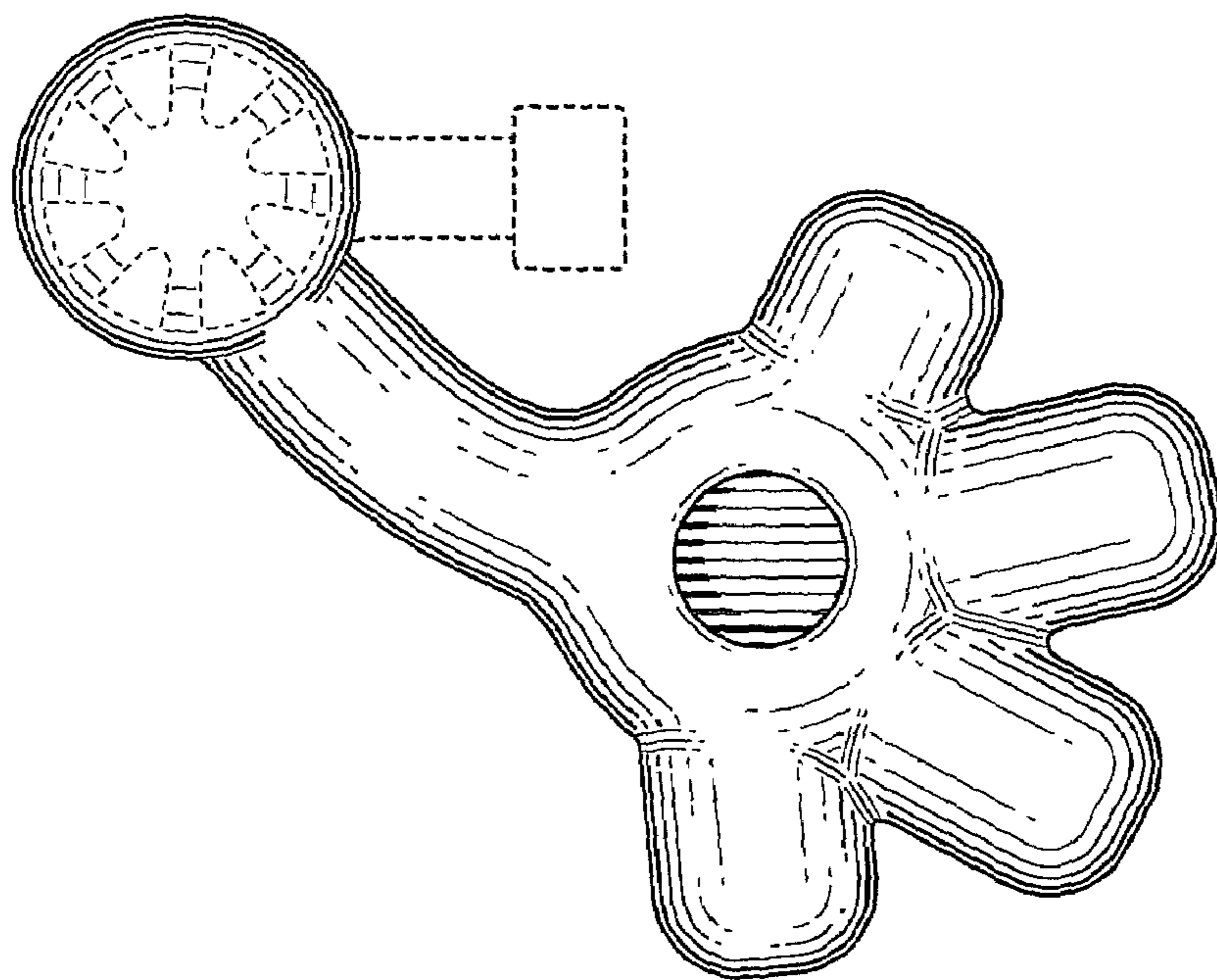


FIG. 9

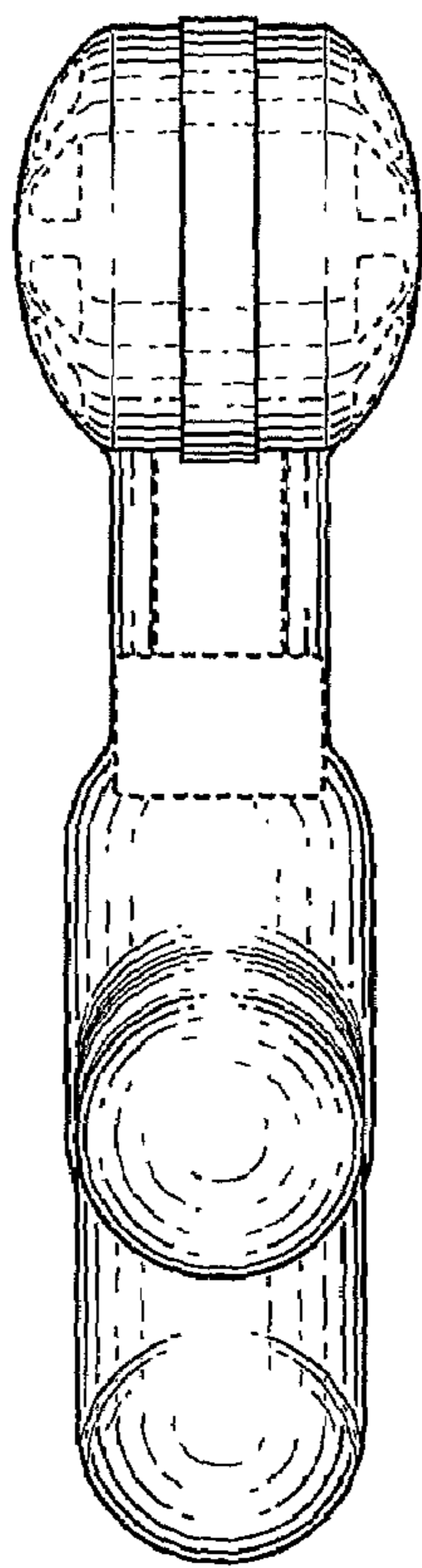


FIG. 10

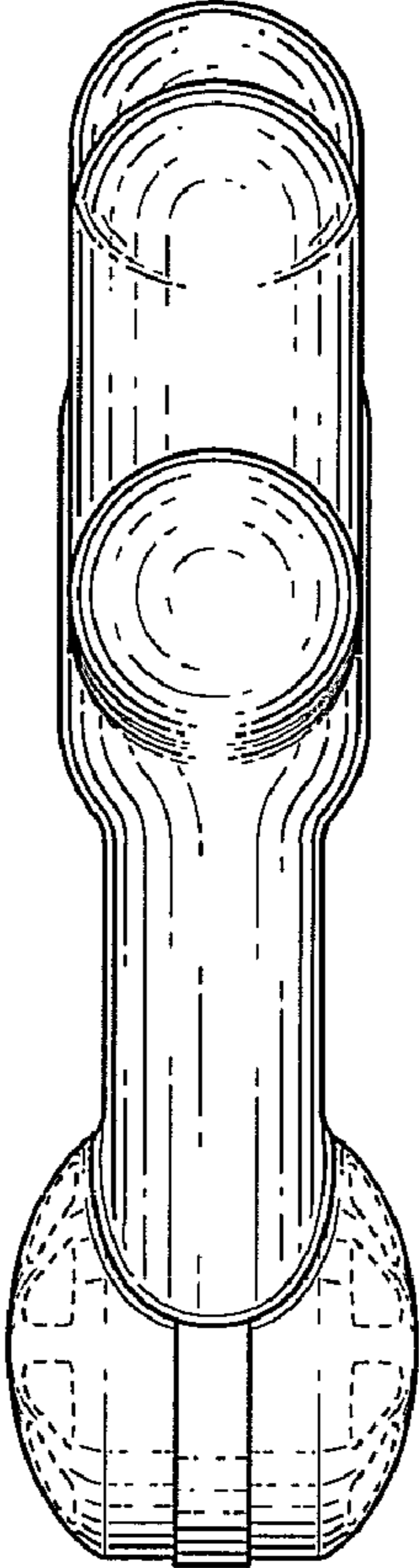


FIG. 12

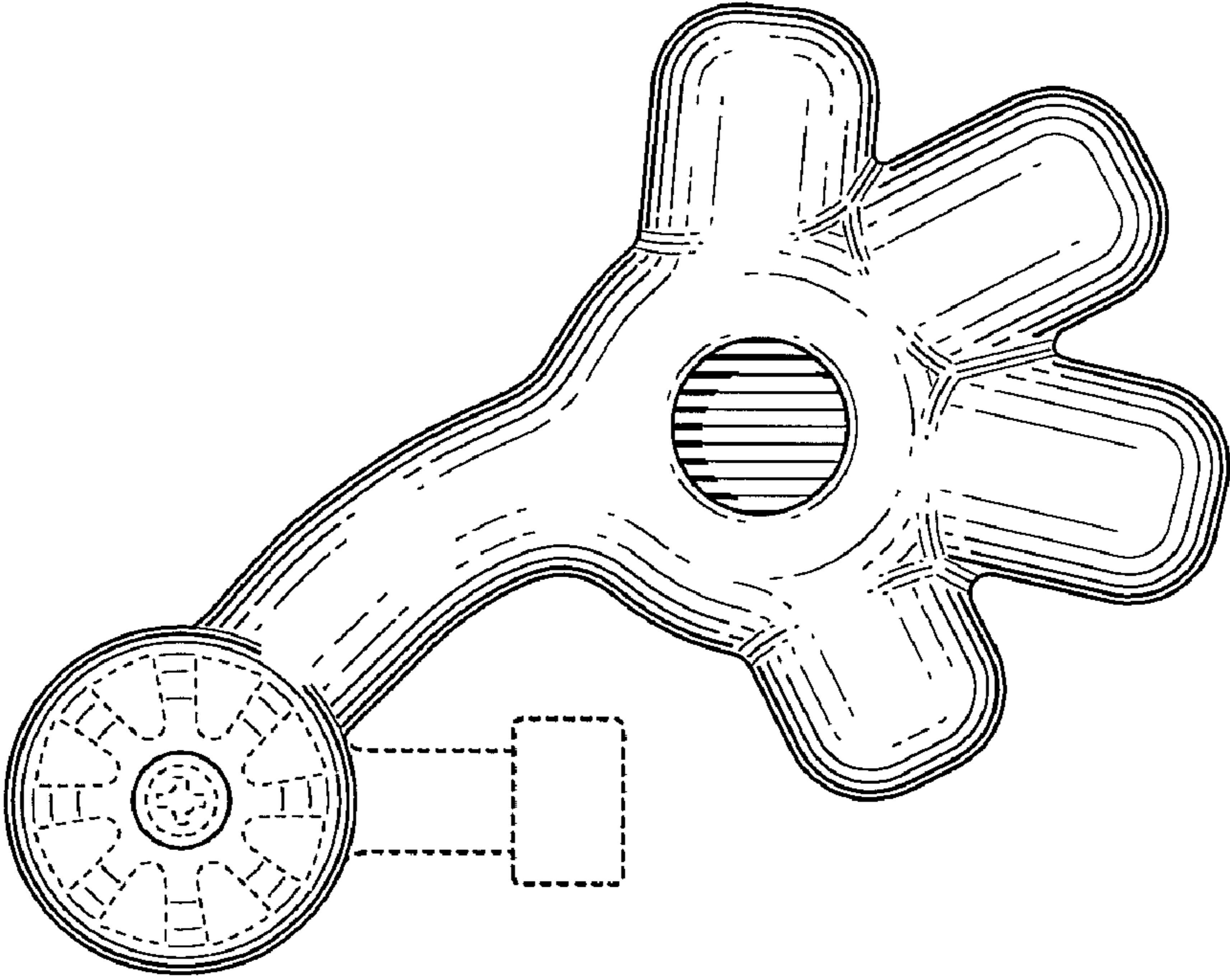


FIG. 11

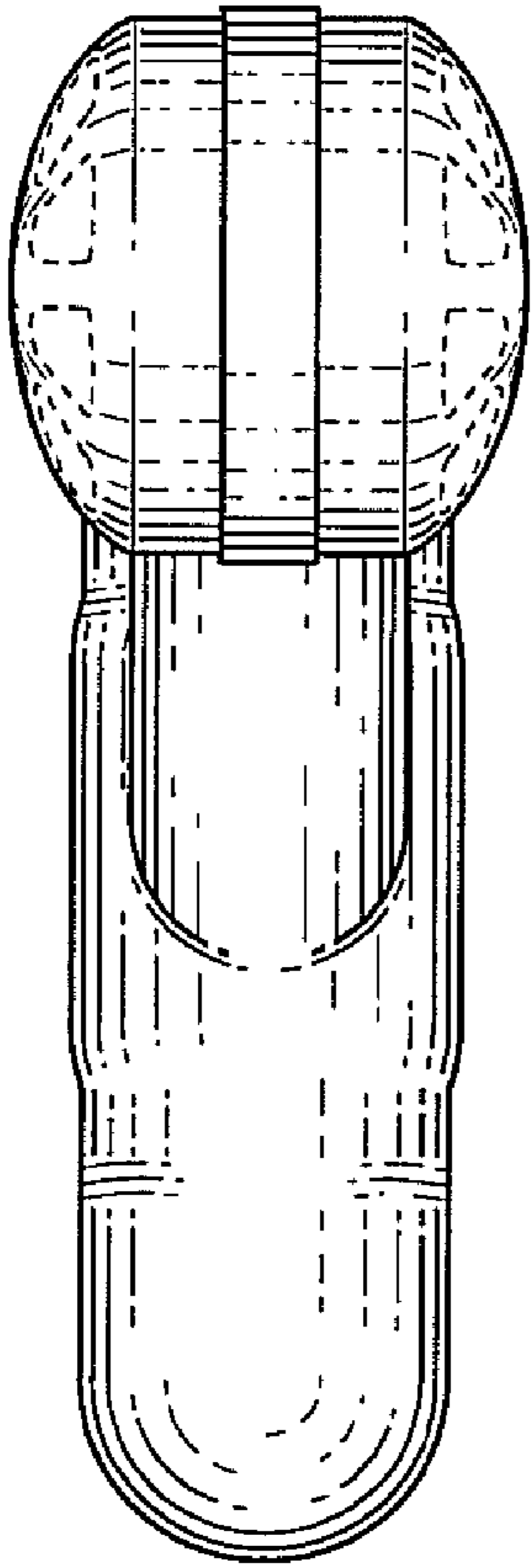


FIG. 13

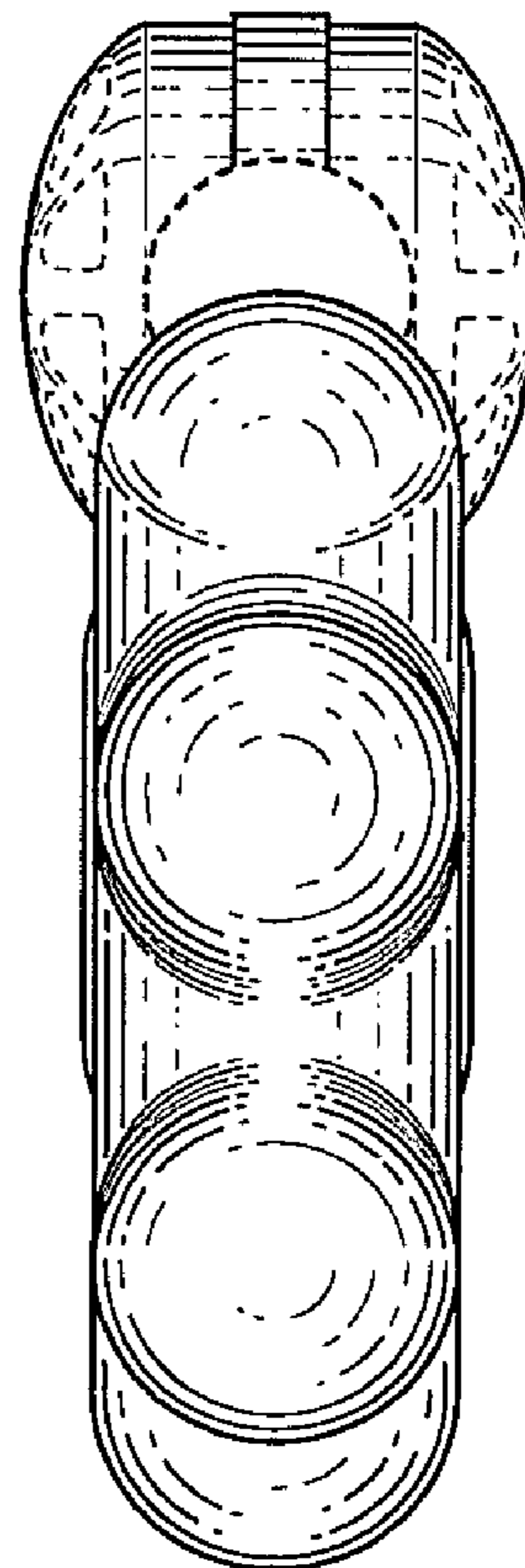


FIG. 14

