



US00D588205S

(12) **United States Design Patent**
Kruger et al.

(10) **Patent No.:** **US D588,205 S**

(45) **Date of Patent:** **** Mar. 10, 2009**

(54) **SCOOTER**

(75) Inventors: **Jaco Kruger**, Somerset West (ZA); **Jean Pierre Van Der Merwe**, Somerset West (ZA)

(73) Assignee: **Chrome Cherry Design Studio (Pty) Limited** (ZA)

(**) Term: **14 Years**

(21) Appl. No.: **29/318,540**

(22) Filed: **May 22, 2008**

(51) **LOC (9) Cl.** **21-01**

(52) **U.S. Cl.** **D21/423; D21/435**

(58) **Field of Classification Search** D21/419, D21/421, 423, 424, 432, 435, 533, 538; D12/110, D12/112, 116; 446/431, 440, 457, 462; 280/29, 280/203, 828, 210, 263

See application file for complete search history.

(56) **References Cited**

U.S. PATENT DOCUMENTS

D336,316 S *	6/1993	Pang et al.	D21/432
D346,833 S *	5/1994	Klawitter	D21/432
D373,389 S *	9/1996	Bro et al.	D21/423
D397,739 S *	9/1998	Liu	D21/435

D399,270 S *	10/1998	Harrod	D21/435
D438,913 S *	3/2001	Thorne et al.	D21/432
D447,190 S *	8/2001	Tse	D21/432
D453,805 S *	2/2002	Lin et al.	D21/432
D532,460 S *	11/2006	Auberger	D21/432

* cited by examiner

Primary Examiner—Holly H Baynham

Assistant Examiner—Cynthia M Chin

(74) *Attorney, Agent, or Firm*—Schmeiser, Olsen & Watts

(57) **CLAIM**

The ornamental design for a scooter, as shown and described.

DESCRIPTION

FIG. 1 is a perspective view from the front of a scooter according to the design;

FIG. 2 is a perspective view from the back of the scooter;

FIG. 3 is a view from a side of the scooter;

FIG. 4 is a view from an opposing side of the scooter;

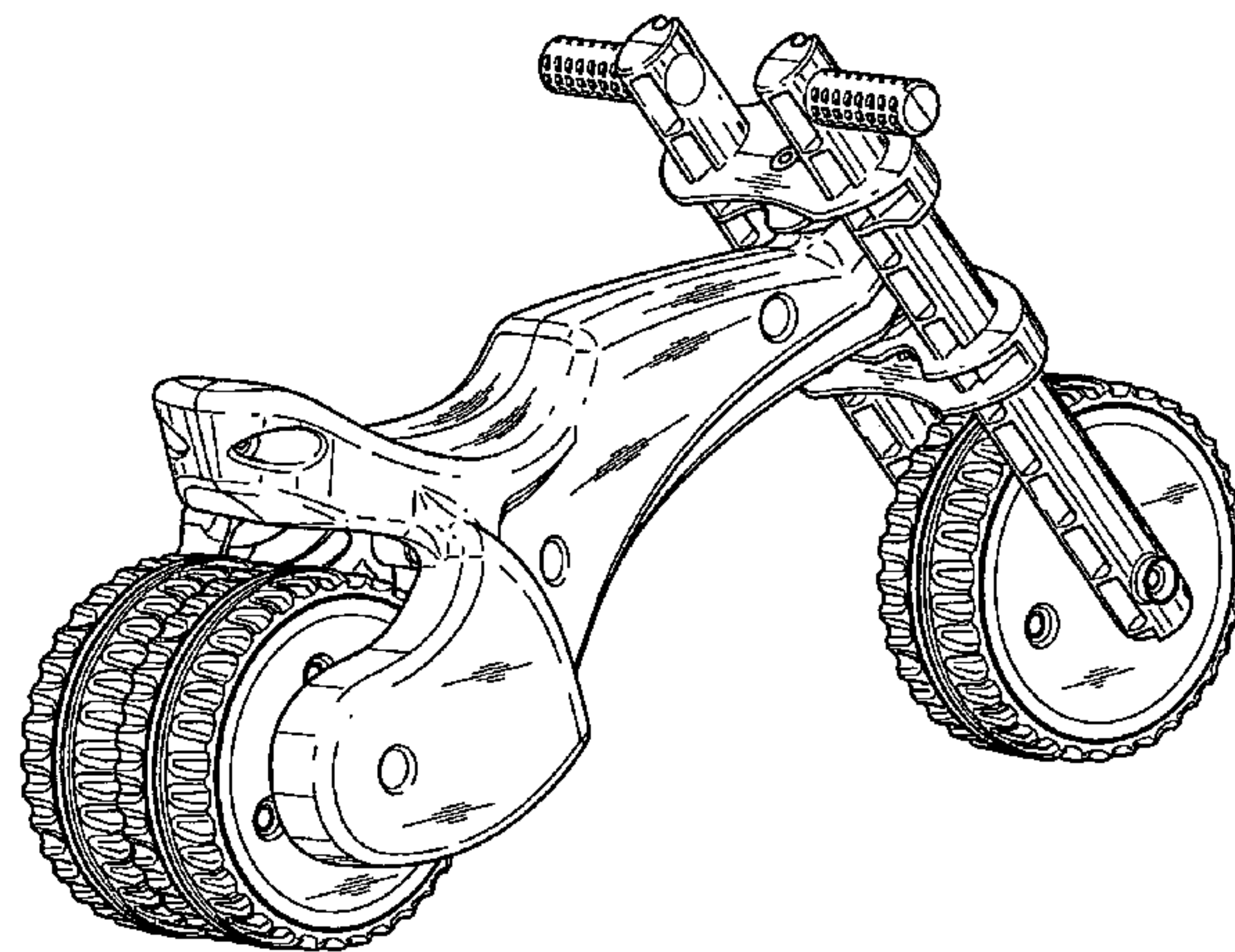
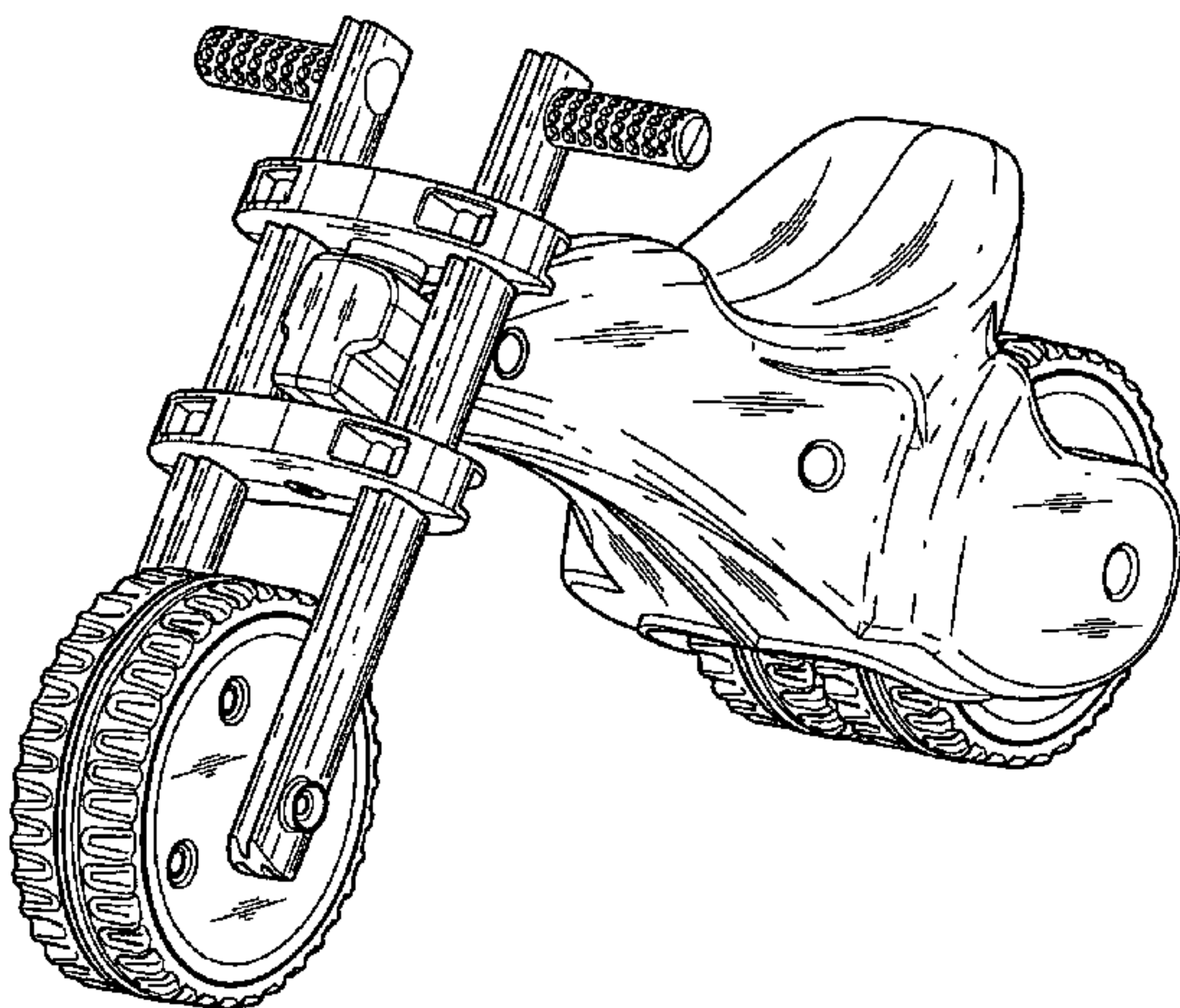
FIG. 5 is a view from the front of the scooter;

FIG. 6 is a view from the back of the scooter;

FIG. 7 is a top plan view of the scooter; and,

FIG. 8 is a bottom view of the scooter.

1 Claim, 4 Drawing Sheets



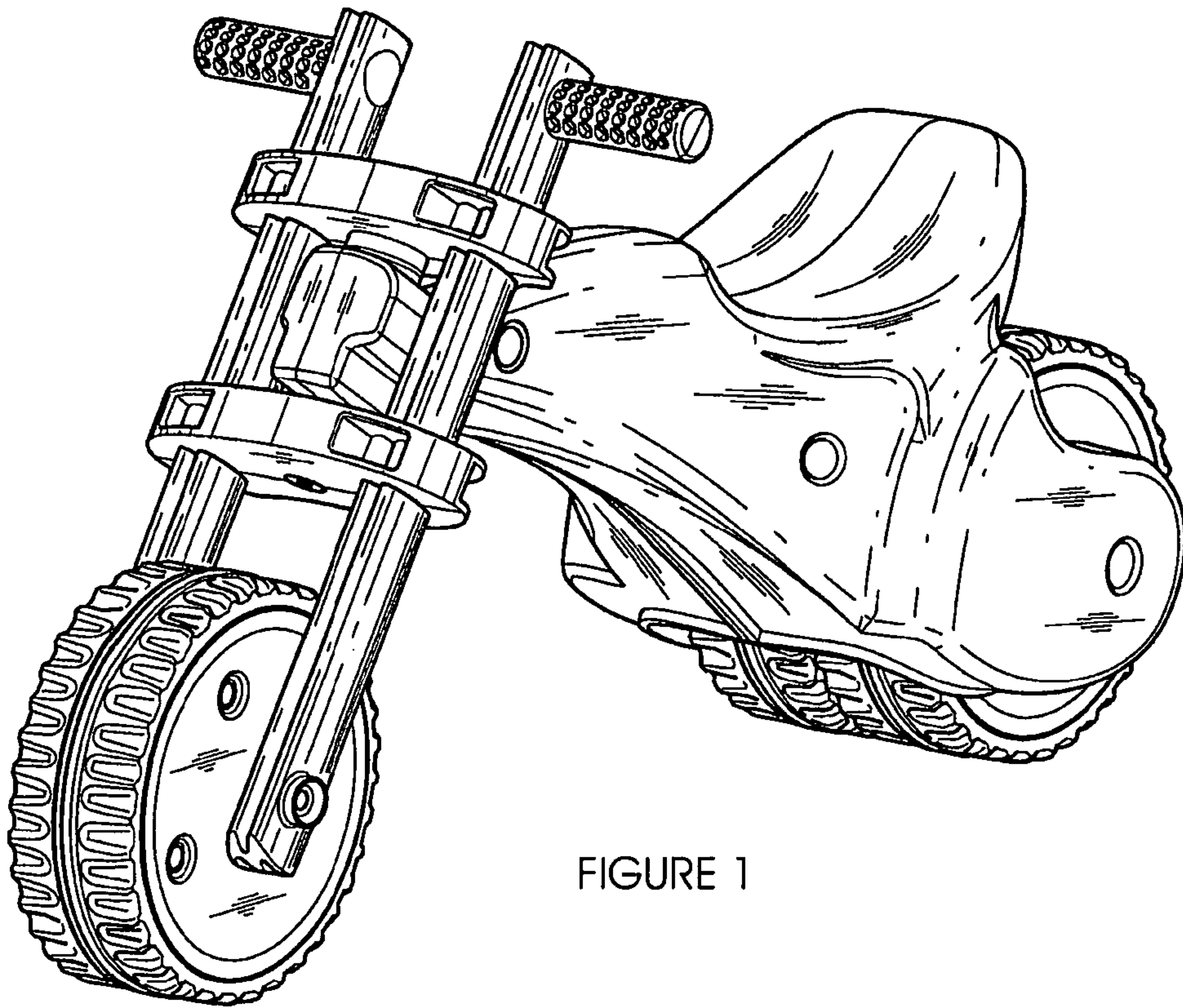


FIGURE 1

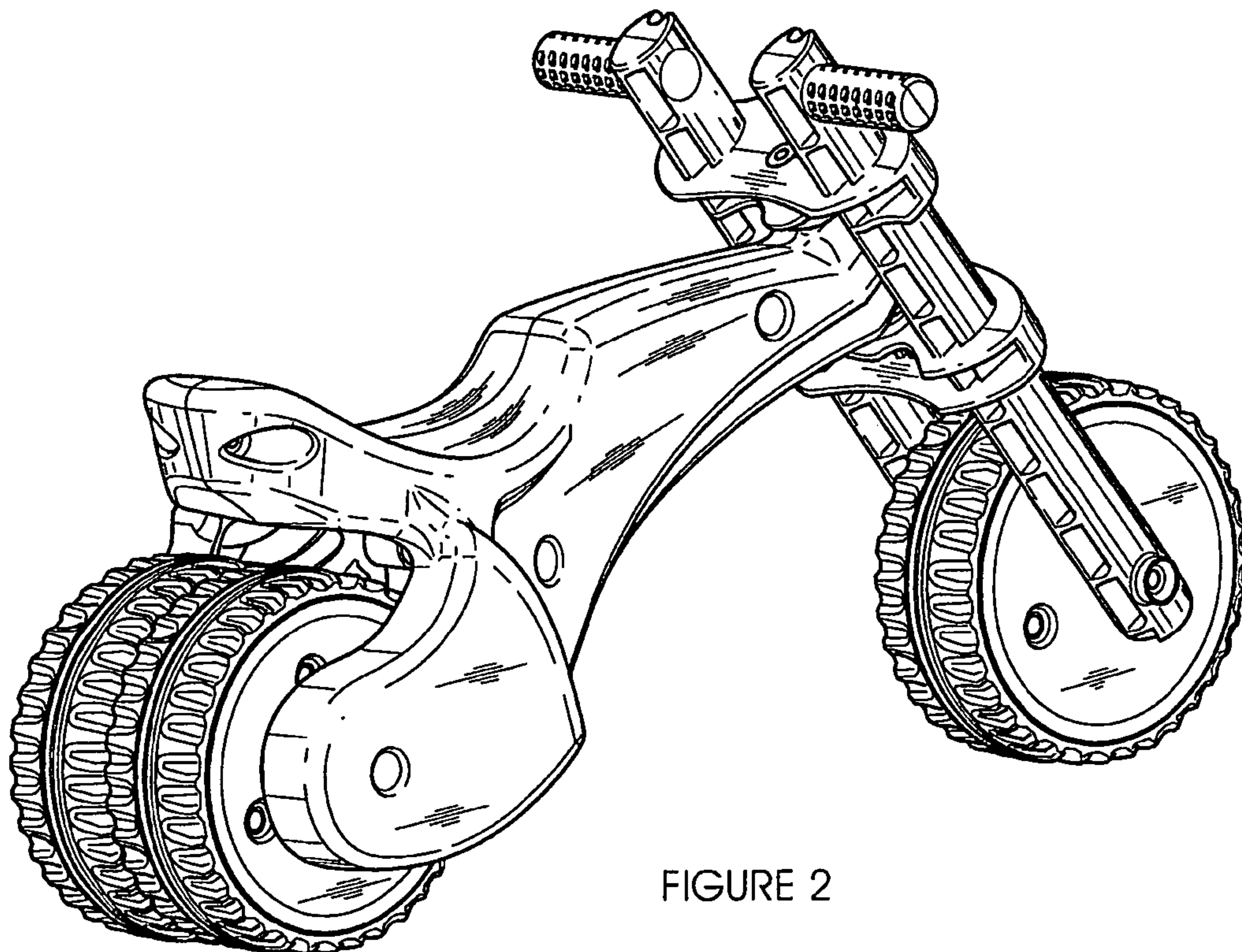


FIGURE 2

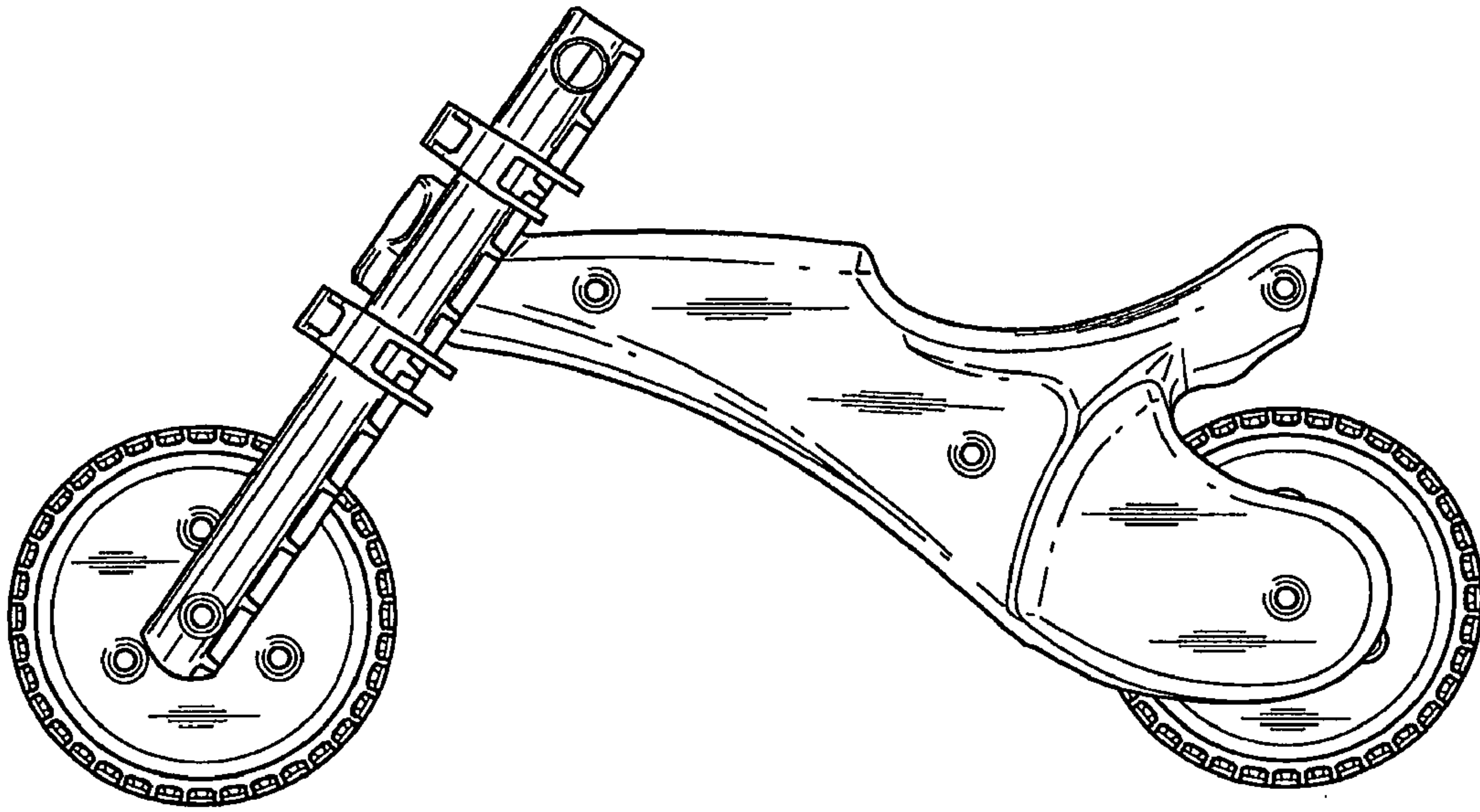


FIGURE 3

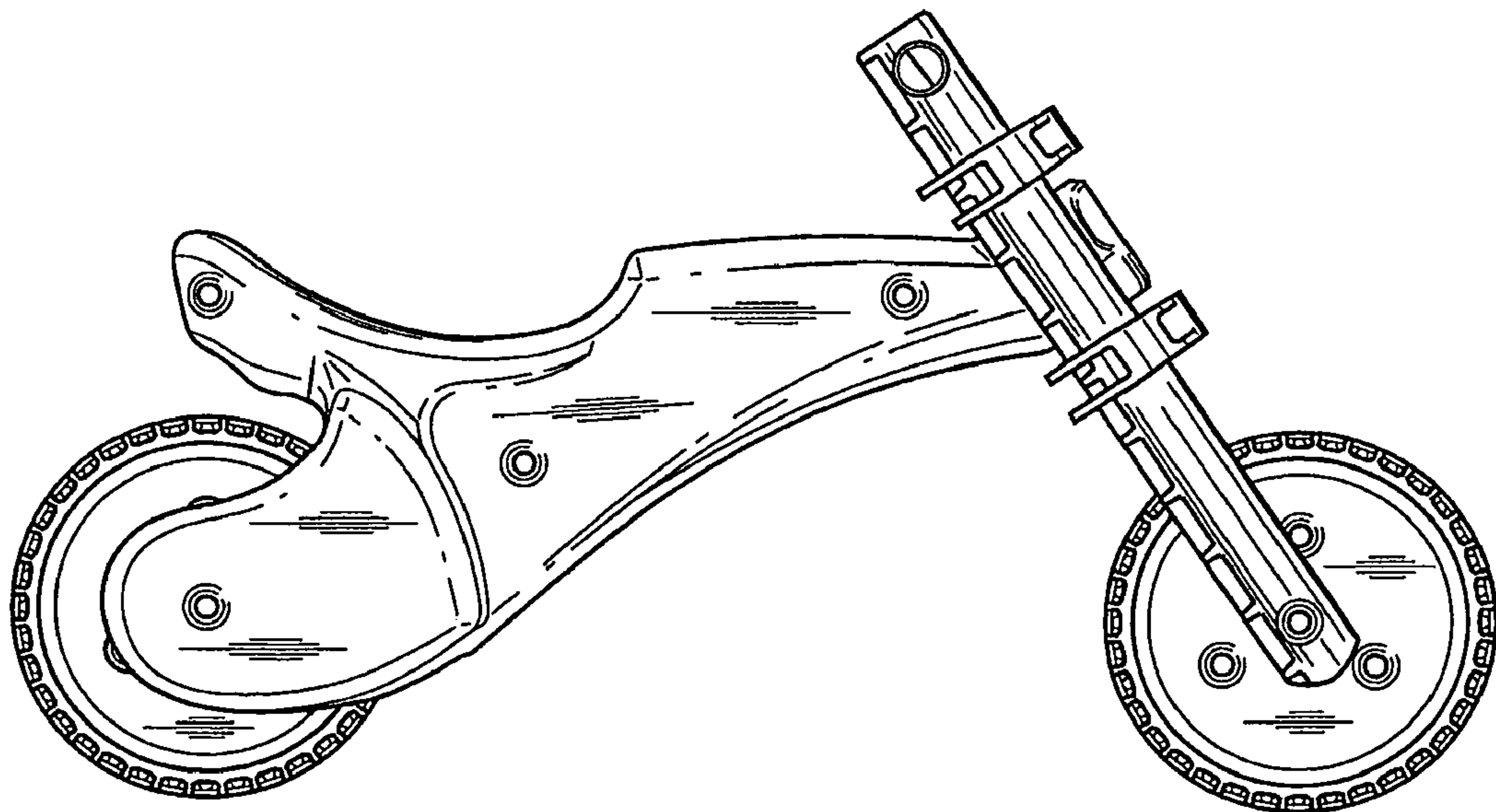


FIGURE 4

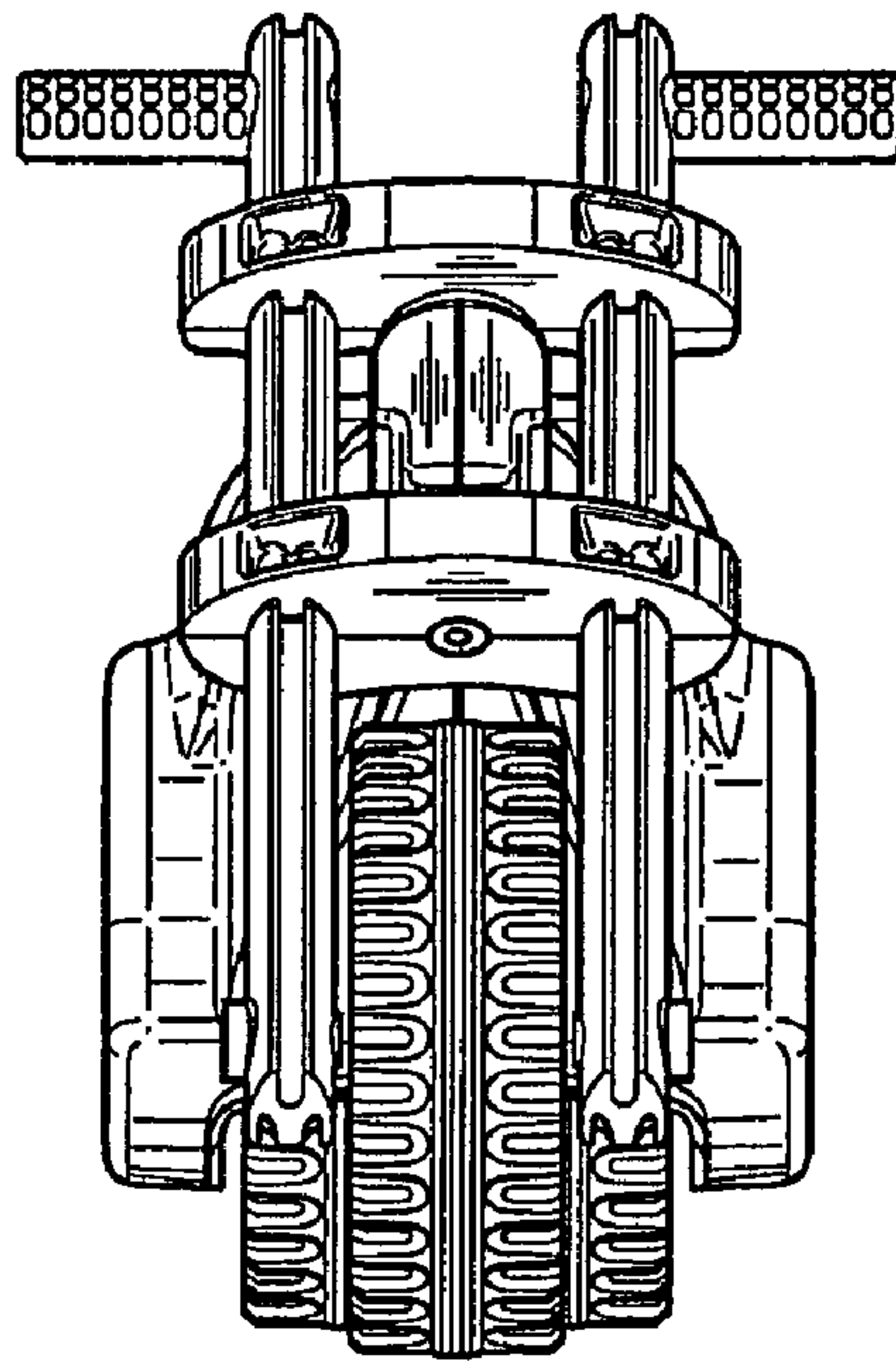


FIGURE 5

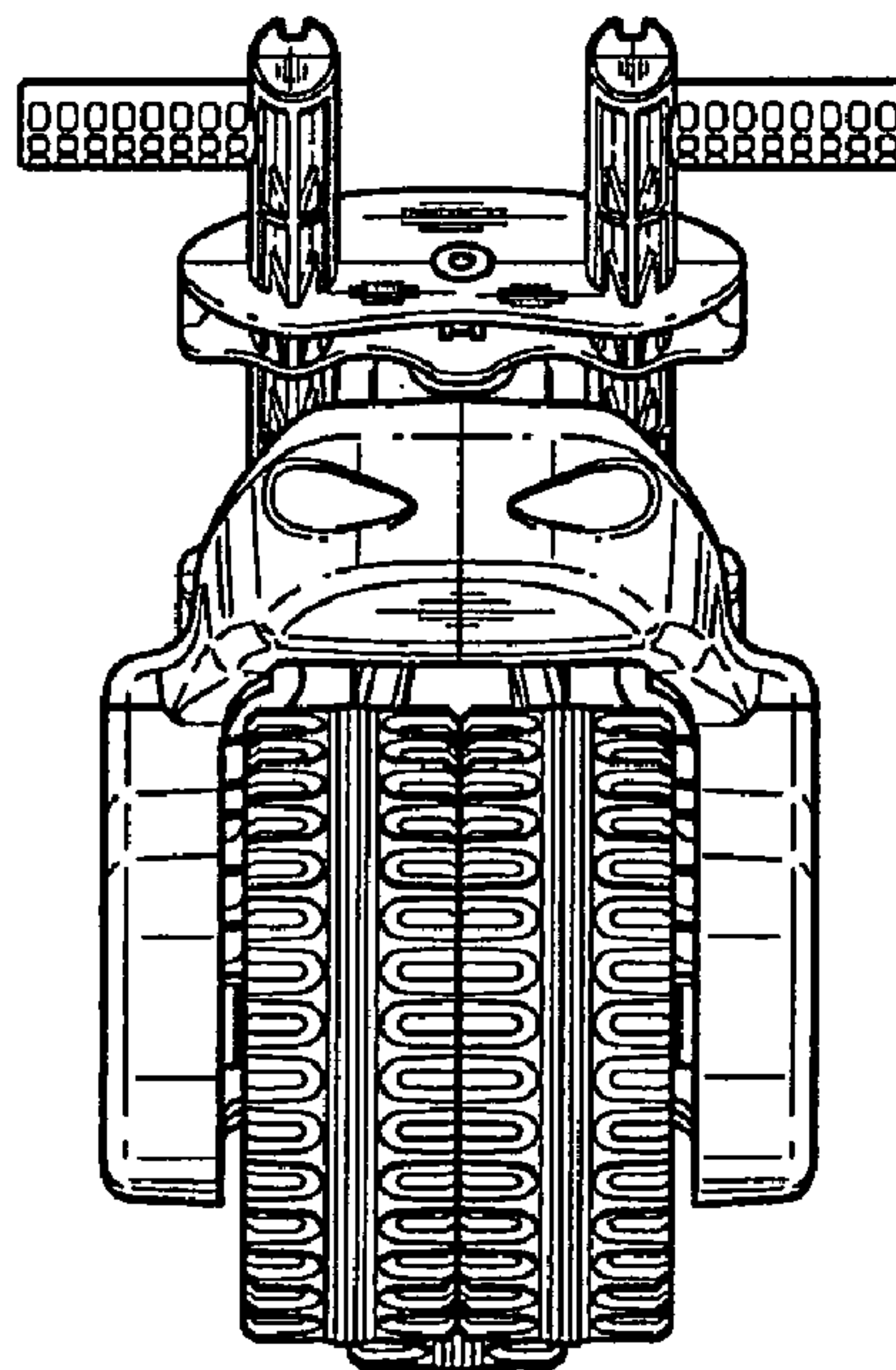


FIGURE 6

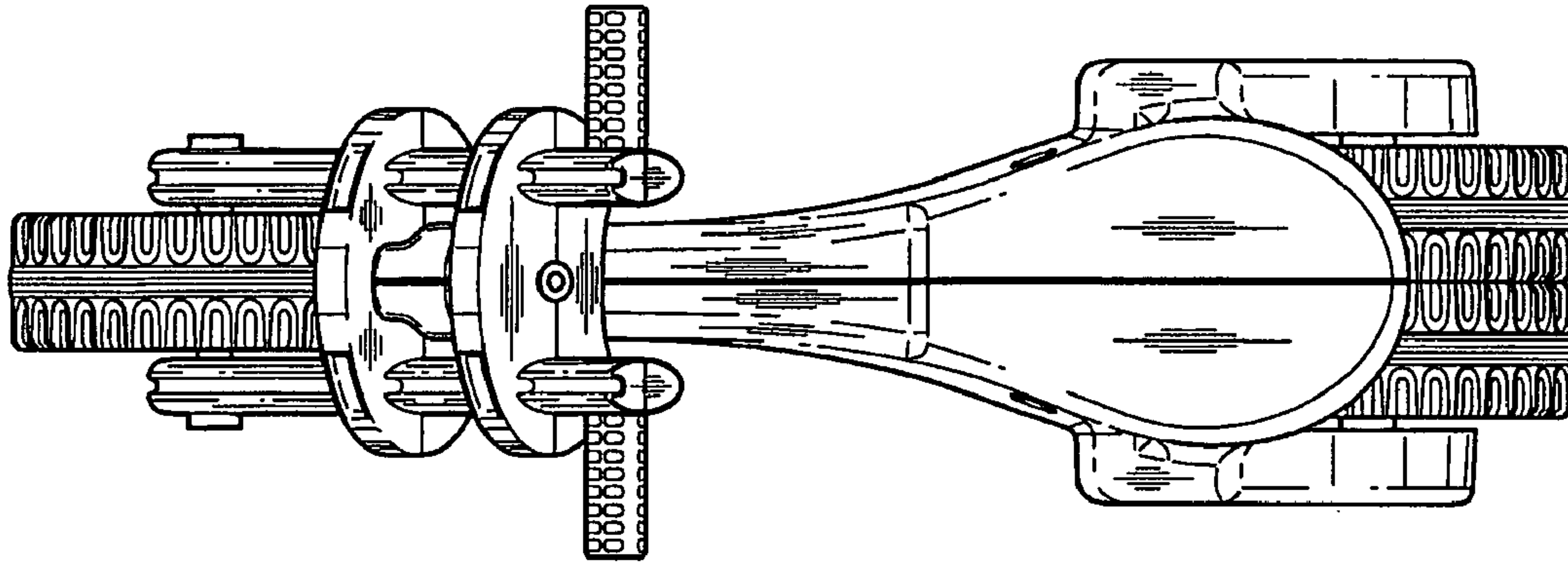


FIGURE 7

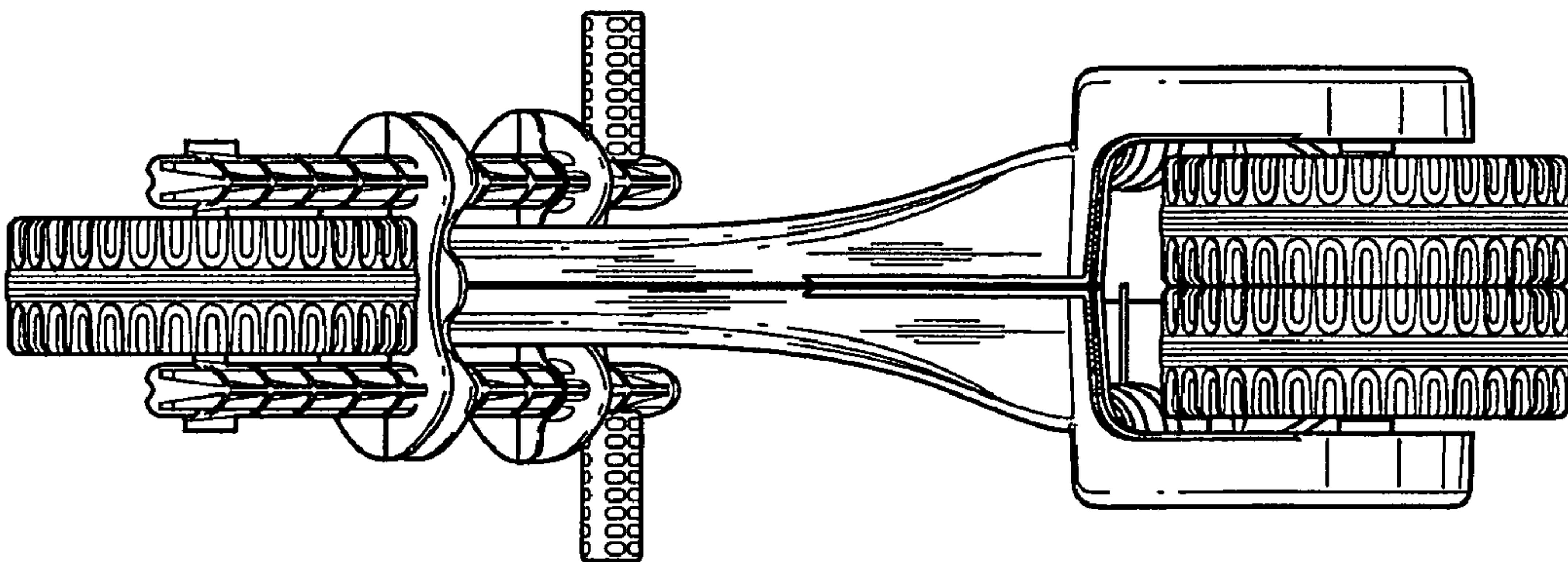


FIGURE 8