



US00D588204S

(12) **United States Design Patent**  
**Grossman**

(10) **Patent No.:** **US D588,204 S**  
(45) **Date of Patent:** **\*\* Mar. 10, 2009**

(54) **FOOTBOARD FOR A SCOOTER**

(75) Inventor: **Martin Grossman**, Glasgow (GB)

(73) Assignee: **H Grossman Limited**, Glasgow (GB)

(\*\*) Term: **14 Years**

(21) Appl. No.: **29/245,623**

(22) Filed: **Dec. 28, 2005**

(30) **Foreign Application Priority Data**

Jun. 28, 2005	(EM)	.....	000365911-0001
Jun. 28, 2005	(EM)	.....	000365911-0002
Jun. 28, 2005	(EM)	.....	000365911-0003
Jun. 28, 2005	(EM)	.....	000365911-0004
Jun. 28, 2005	(EM)	.....	000365911-0005
Jun. 28, 2005	(EM)	.....	000365911-0006
Jun. 28, 2005	(EM)	.....	000365911-0007
Jun. 28, 2005	(EM)	.....	000365911-0008
Jun. 28, 2005	(EM)	.....	000365911-0009
Jun. 28, 2005	(EM)	.....	000365911-0010
Jun. 28, 2005	(EM)	.....	000365911-0011
Jun. 28, 2005	(EM)	.....	000365911-0012

(51) **LOC (9) Cl.** ..... **21-01**

(52) **U.S. Cl.** ..... **D21/423; D21/760**

(58) **Field of Classification Search** ..... D21/419,  
D21/421, 423, 426, 435, 438, 760, 765, 771;  
D12/1, 107; 280/87.01, 87.021, 87.041,  
280/87.03, 87.042, 87.05, 263, 282, 288.1-288.4,  
280/200, 210, 214, 239; 180/180, 181; 441/74  
See application file for complete search history.

(56) **References Cited**

**U.S. PATENT DOCUMENTS**

4,991,066	A	2/1991	McCowan	.....	362/61
4,997,196	A	3/1991	Wood	.....	280/87.042
5,004,256	A *	4/1991	Won	.....	280/87.042
5,067,058	A *	11/1991	Standley	.....	180/181
5,119,277	A *	6/1992	Copley et al.	.....	280/87.042

5,132,883	A *	7/1992	La Lumandier	.....	280/87.042
5,292,141	A *	3/1994	Ekdal et al.	.....	280/87.042
5,513,080	A	4/1996	Magle et al.	.....	362/103

(Continued)

**FOREIGN PATENT DOCUMENTS**

DE 200 18 6683 U1 9/2001

(Continued)

*Primary Examiner*—Holly H Baynham

*Assistant Examiner*—Cynthia M Chin

(74) *Attorney, Agent, or Firm*—Steptoe & Johnson LLP

(57) **CLAIM**

The ornamental design for a footboard for a scooter, as shown and described.

**DESCRIPTION**

FIG. 1 is a perspective view of a footboard of a scooter having circular regions that display contrasting colors of light emission on a rectangular foot-supporting side thereof;

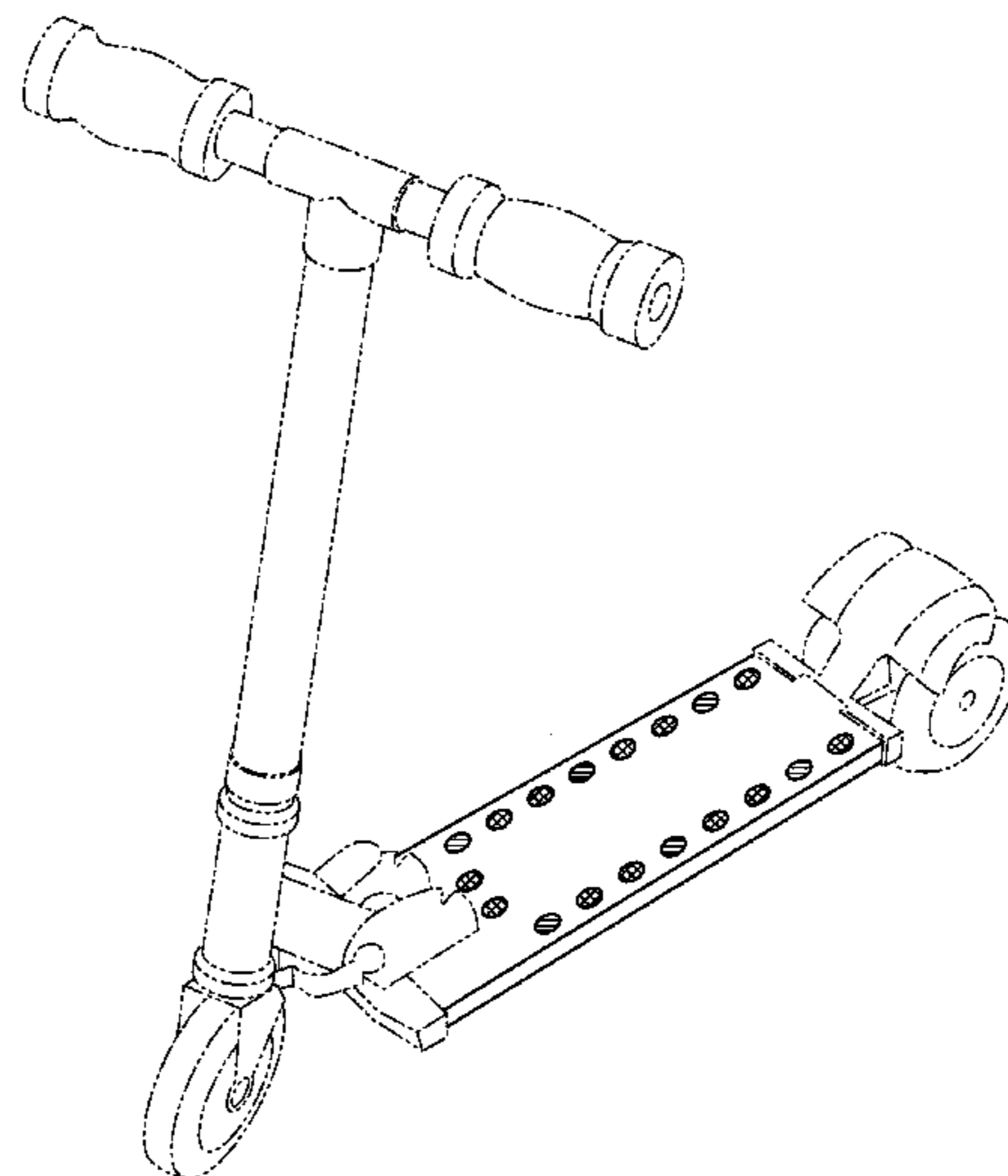
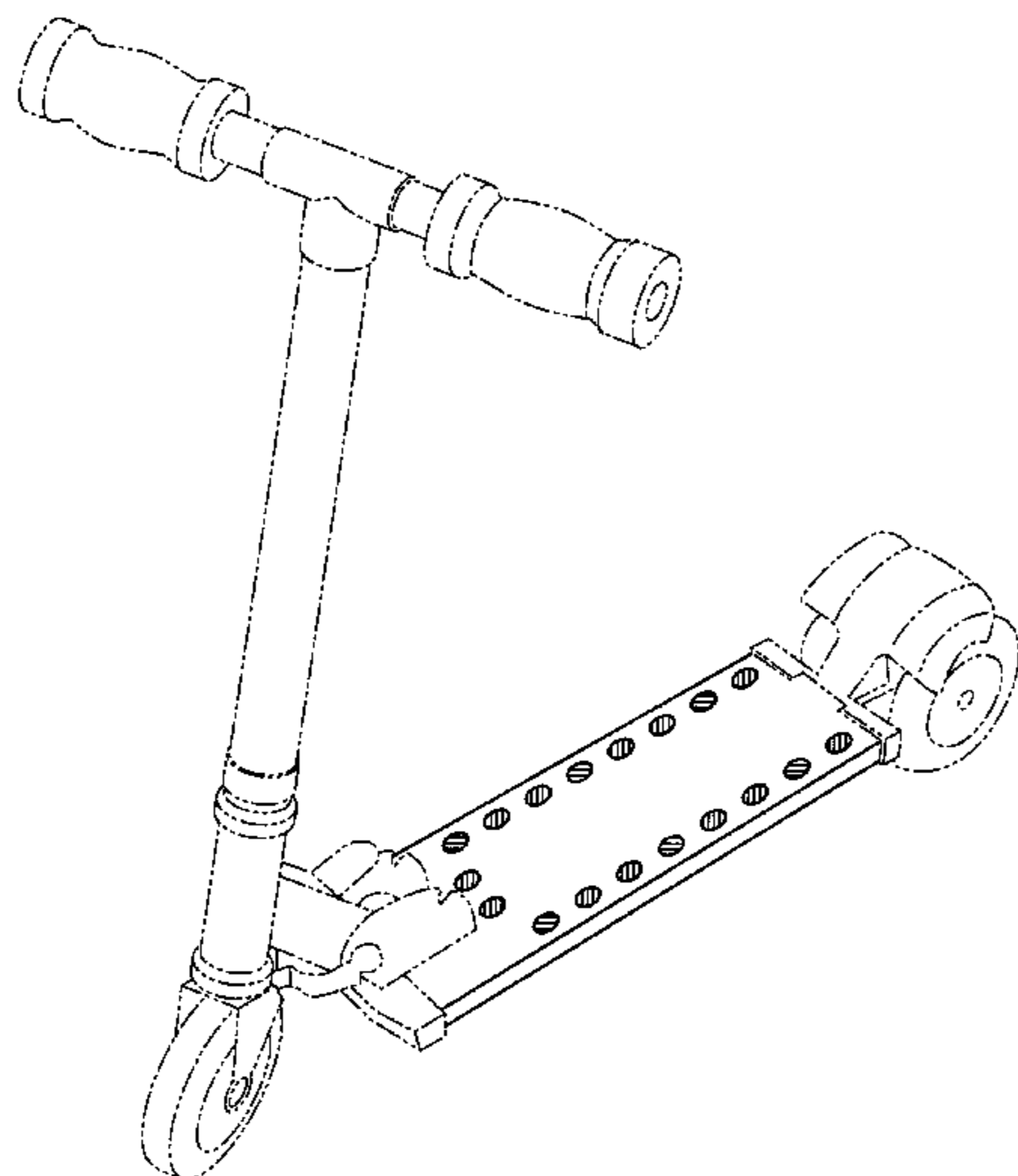
FIG. 2 is a top view of the footboard of FIG. 1 showing the foot supporting side of the footboard, with vertical hatching indicating the color red and horizontal hatching indicating the color blue;

FIG. 3 is a perspective view of a second embodiment of a footboard of a scooter having circular regions that display contrasting colors of light emission on a rectangular foot-supporting side thereof; and,

FIG. 4 is a top view of the footboard of FIG. 3 showing the foot-supporting side of the footboard, with horizontal hatching indicating the color blue and cross-hatching indicating the color orange.

The portions of a scooter shown in broken lines in FIGS. 1-4, including wheels, handlebars, and mountings thereof, denote the environmental use of the claimed design, are for illustrative purposes only, and form no part of the claimed design.

**1 Claim, 4 Drawing Sheets**



# US D588,204 S

Page 2

## U.S. PATENT DOCUMENTS

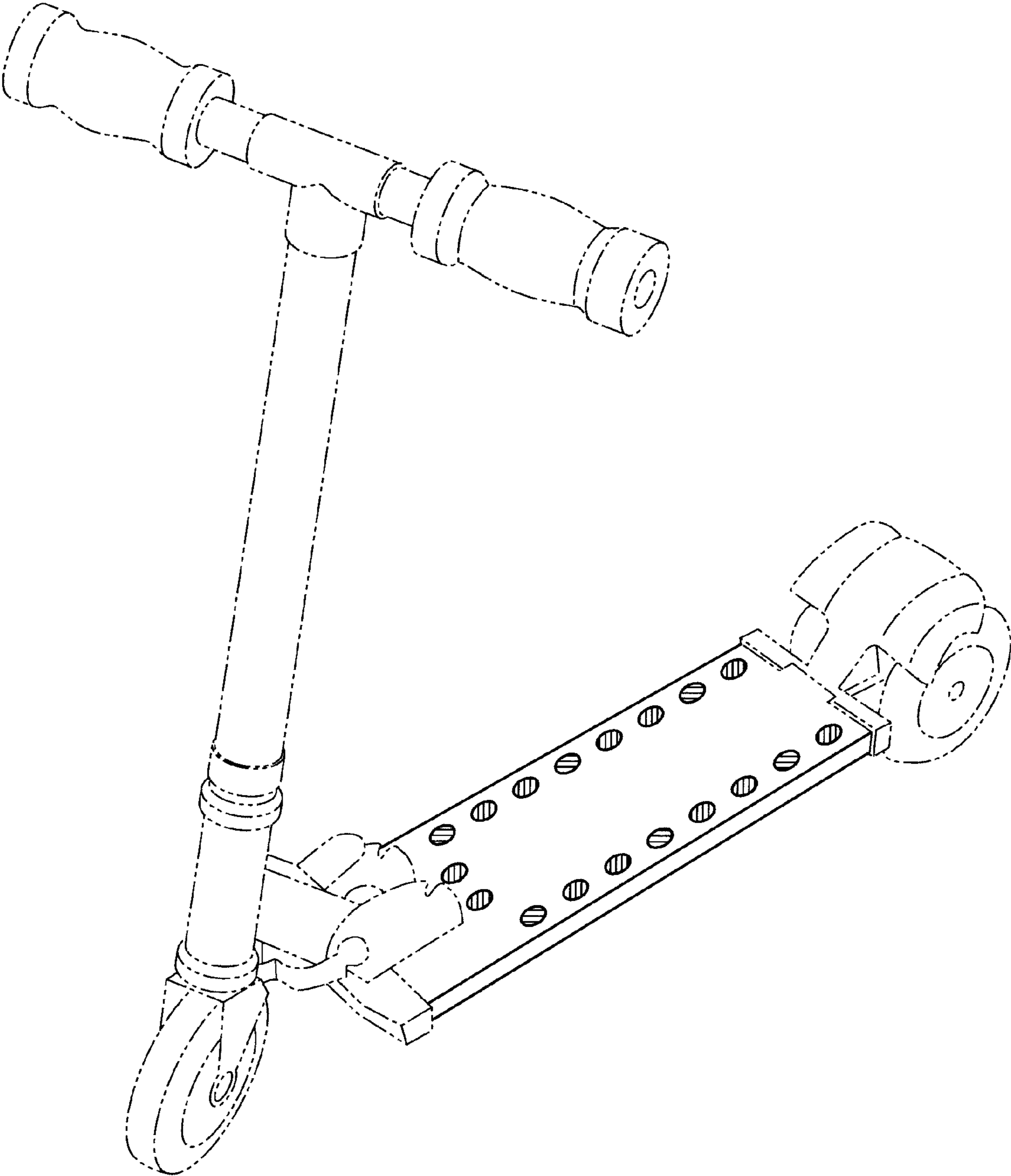
5,588,734 A 12/1996 Talamo et al. .... 362/61  
6,139,035 A 10/2000 Tsai ..... 280/87.041  
D435,873 S 1/2001 Lee ..... D21/423  
D435,874 S \* 1/2001 Cheng ..... D21/423  
6,173,976 B1 1/2001 Lee ..... 280/87.05  
D438,911 S \* 3/2001 Chen ..... D21/423  
D438,912 S 3/2001 Barrera ..... D21/423  
D439,623 S 3/2001 Barrera ..... D21/423  
D444,824 S 7/2001 Udwin et al. .... D21/423  
D446,259 S 8/2001 Udwin et al. .... D21/423  
D447,187 S 8/2001 Powers ..... D21/423  
D452,284 S 12/2001 McGinnis ..... D21/423  
6,332,621 B1 \* 12/2001 Wu ..... 280/87.041  
D453,803 S 2/2002 Yann et al. .... D21/423  
6,378,880 B1 \* 4/2002 Lin ..... 280/87.05  
6,431,733 B2 \* 8/2002 Seifert et al. .... 280/87.042  
D463,508 S 9/2002 Stroppiana ..... D21/423  
D467,625 S 12/2002 Clark et al. .... D21/423  
D476,042 S \* 6/2003 Hsieh ..... D21/423  
6,646,547 B2 11/2003 Chiu ..... 340/321  
D486,532 S \* 2/2004 Christianson ..... D21/423

6,802,636 B1 10/2004 Bailey, Jr. .... 362/555  
7,048,284 B1 5/2006 Seifert ..... 280/79.11  
2002/0105158 A1 8/2002 Stewart et al. .... 280/87.041  
2002/0135464 A1 9/2002 Chiu ..... 340/321  
2002/0135998 A1 9/2002 Chiu ..... 362/103  
2003/0007352 A1 1/2003 Ter-Hovhannissian ..... 362/276  
2004/0026883 A1 2/2004 Chen ..... 280/87.041  
2005/0029767 A1 2/2005 Chang ..... 280/87.042  
2005/0248957 A1 11/2005 Grossman ..... 362/545  
2006/0083012 A1 4/2006 Ter-Hovhannissian ..... 362/485

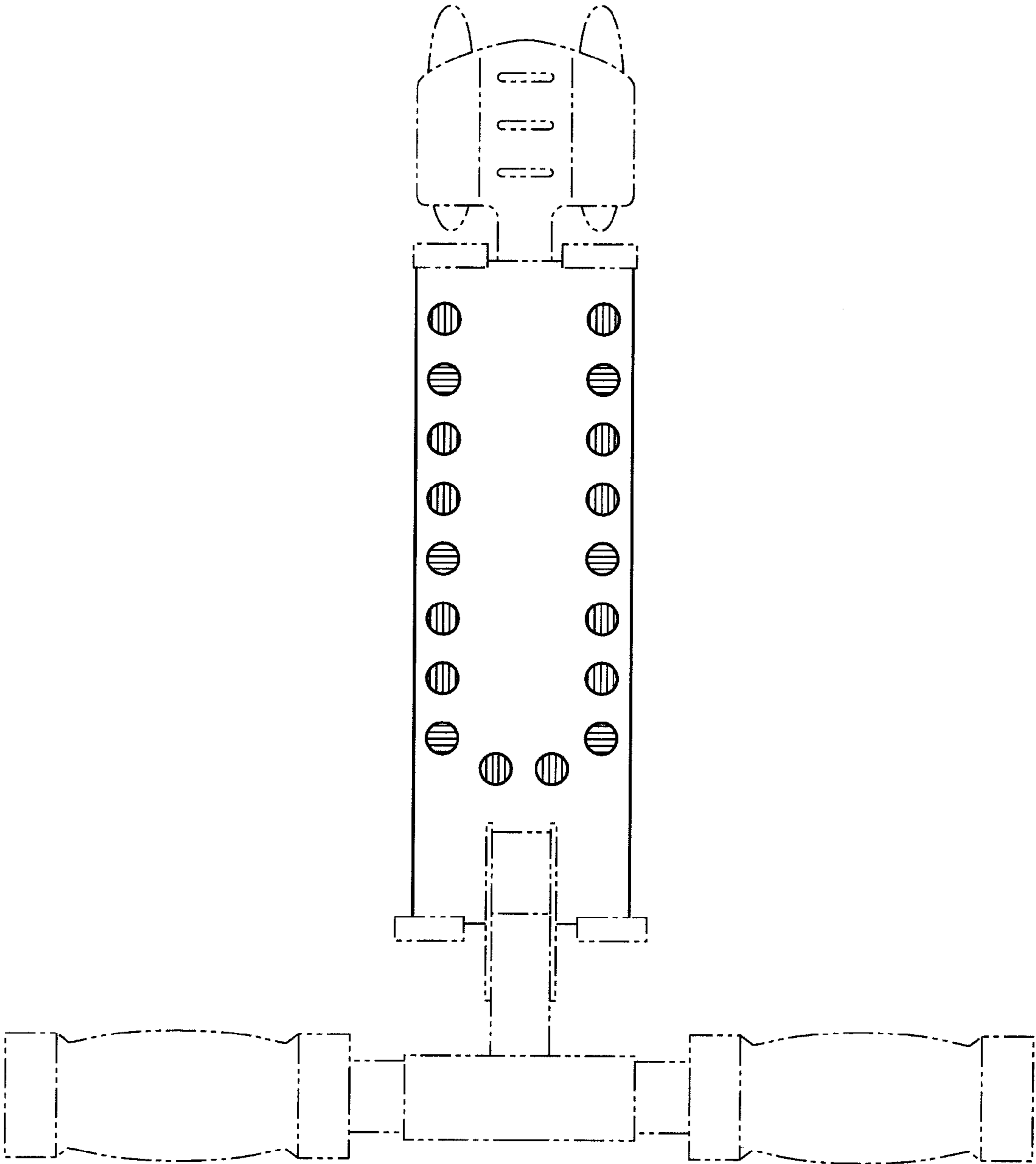
## FOREIGN PATENT DOCUMENTS

DE 203 02 674 U1 7/2003  
DE 203 11 094 U1 2/2004  
EM 000146352-0001 8/2004  
EM 000146352-0002 8/2004  
EP 1 593 590 A1 11/2005  
GB 2 381 503 A 5/2003  
GB 2 397 808 A 8/2004  
GB 2 404 435 A 2/2005  
JP 2003-265673 9/2003

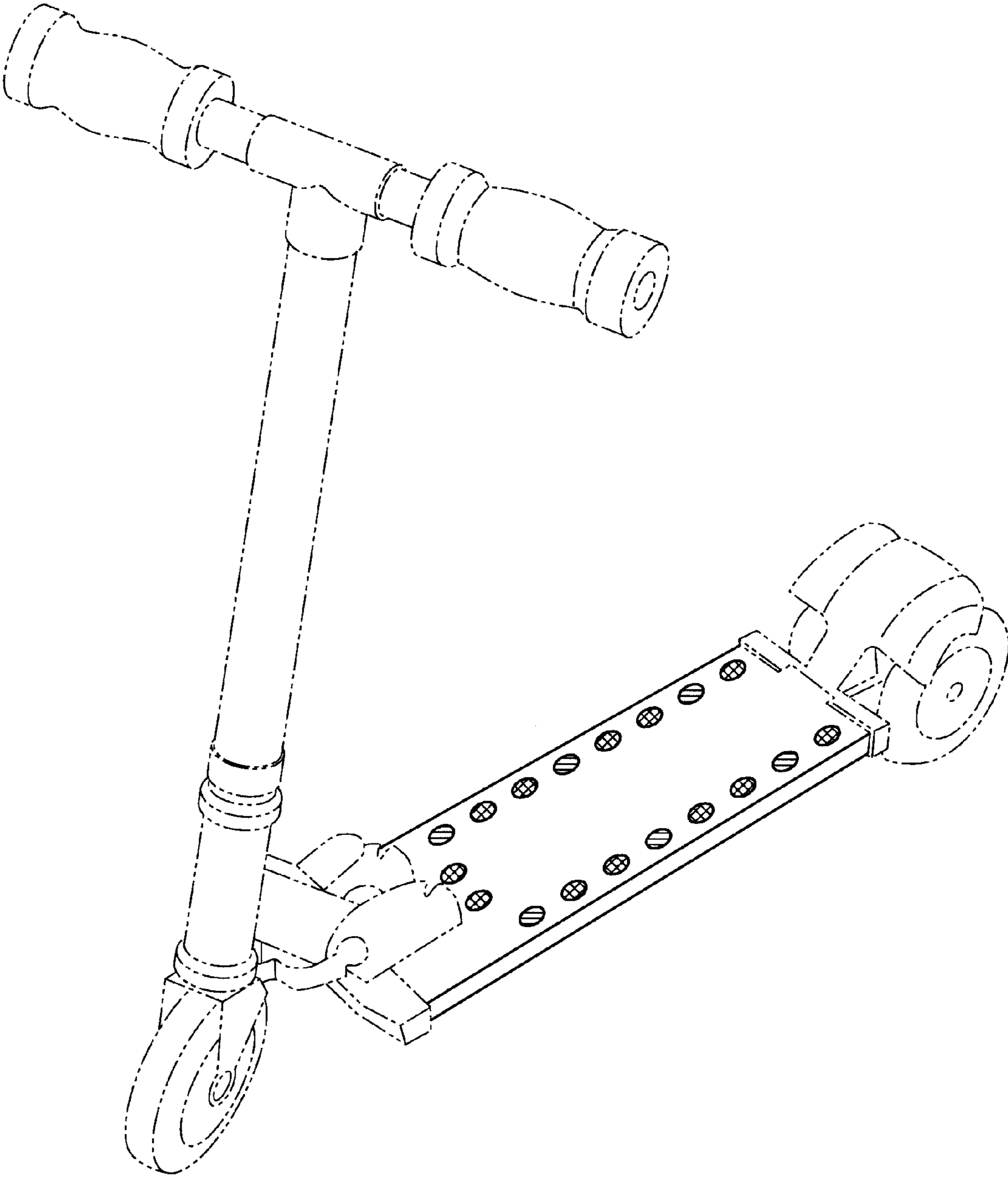
\* cited by examiner



**Fig. 1**

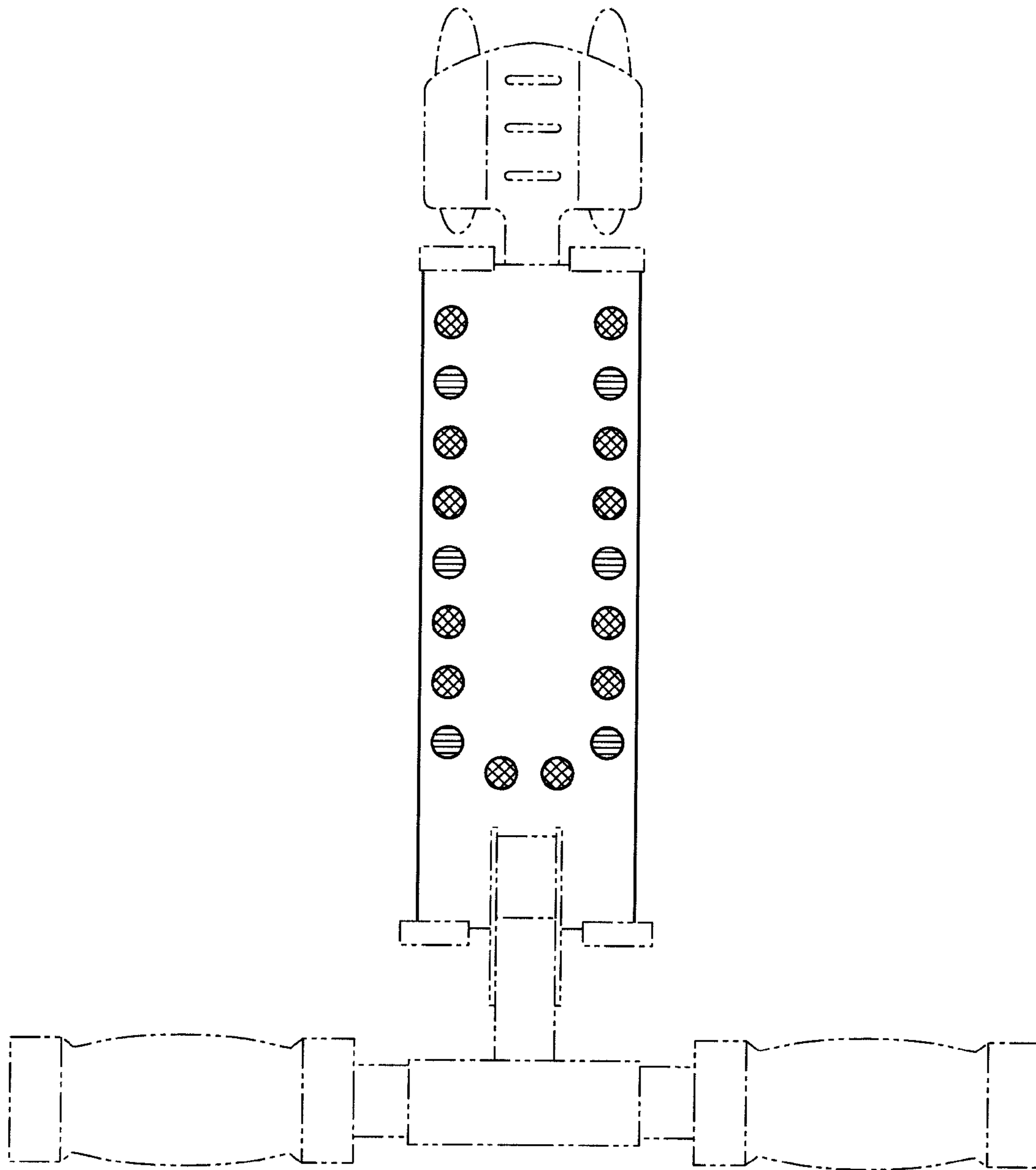


**Fig. 2**



**Fig. 3**





**Fig. 4**