



US00D588202S

(12) **United States Design Patent**  
**Damjan**

(10) **Patent No.:** **US D588,202 S**  
(45) **Date of Patent:** **\*\* Mar. 10, 2009**

(54) **ROULETTE GAME**

D548,802 S \* 8/2007 Damjan et al. .... D21/375  
D558,276 S \* 12/2007 Damjan et al. .... D21/375

(75) Inventor: **Ursic Damjan**, Kamnik (SI)

\* cited by examiner

(73) Assignee: **Zuum D.O.O.**, Kranj (SI)

*Primary Examiner*—Sandra Morris  
(74) *Attorney, Agent, or Firm*—Ziolkowski Patent Solutions Group, SC

(\*\*) Term: **14 Years**

(21) Appl. No.: **29/302,862**

(22) Filed: **Jan. 25, 2008**

(57) **CLAIM**

(30) **Foreign Application Priority Data**

The ornamental design for a roulette game, as shown and described.

Jul. 27, 2007 (SI) ..... M-200750040

**DESCRIPTION**

(51) **LOC (9) Cl.** ..... **21-03**

FIG. 1 is a perspective view of a roulette game in accordance with the present invention;

(52) **U.S. Cl.** ..... **D21/375**

FIG. 2 is a side elevational view thereof;

(58) **Field of Classification Search** ..... D21/325,  
D21/329, 369–370, 374–375, 385; 463/12,  
463/16–17, 20, 25, 46–47; 273/268, 274,  
273/309

FIG. 3 is a perspective view thereof, with the overhang shown removed for ease of illustration;

See application file for complete search history.

FIG. 4 is a top plan view of FIG. 3; and,

FIG. 5 is a side elevational view of FIG. 3.

The broken line showing is for illustrative purposes only, and forms no part of the claimed design.

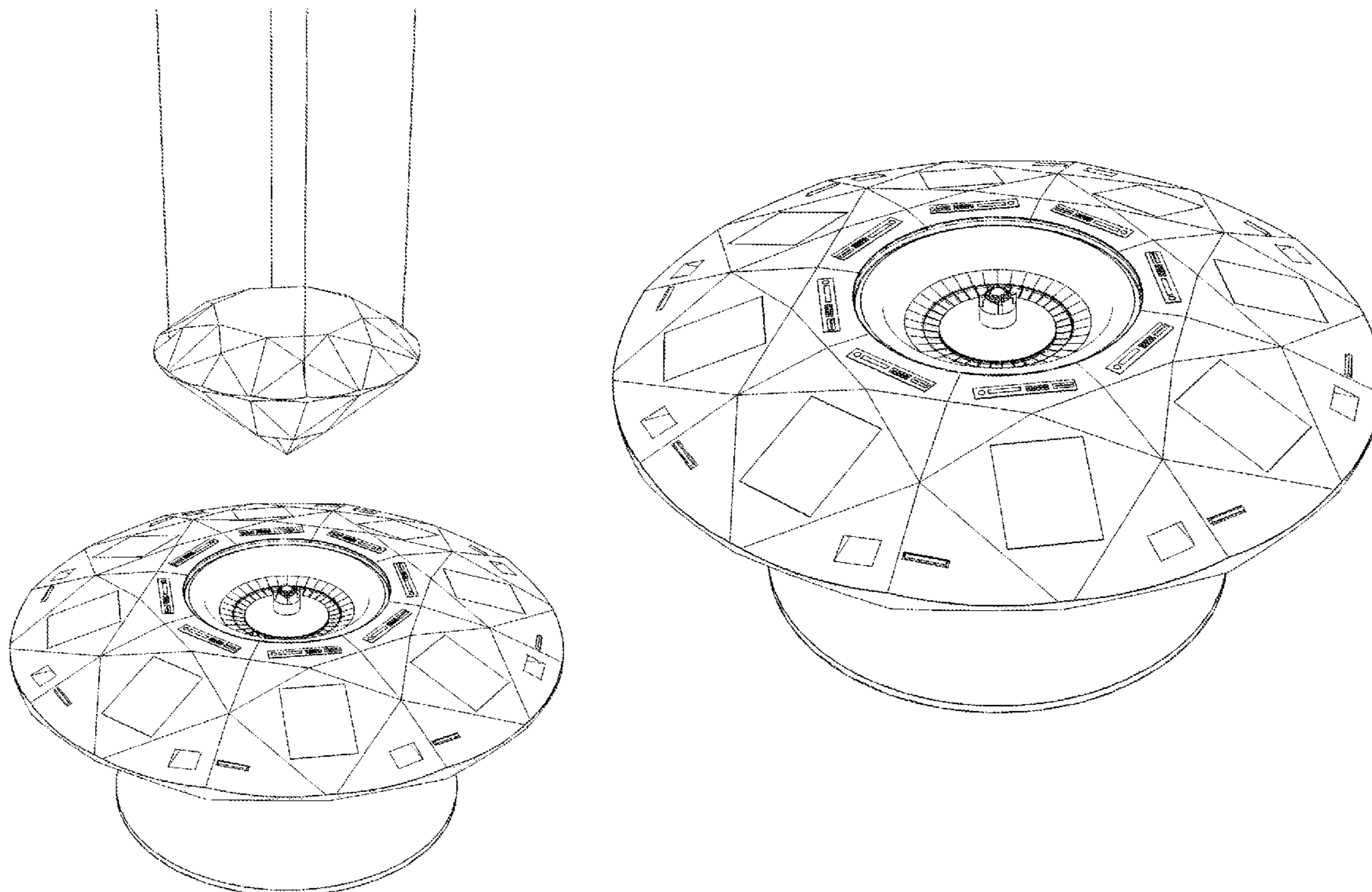
(56) **References Cited**

**U.S. PATENT DOCUMENTS**

**1 Claim, 5 Drawing Sheets**

5,836,583 A \* 11/1998 Towers ..... 463/17

5,879,235 A \* 3/1999 Kaneko et al. .... 463/17



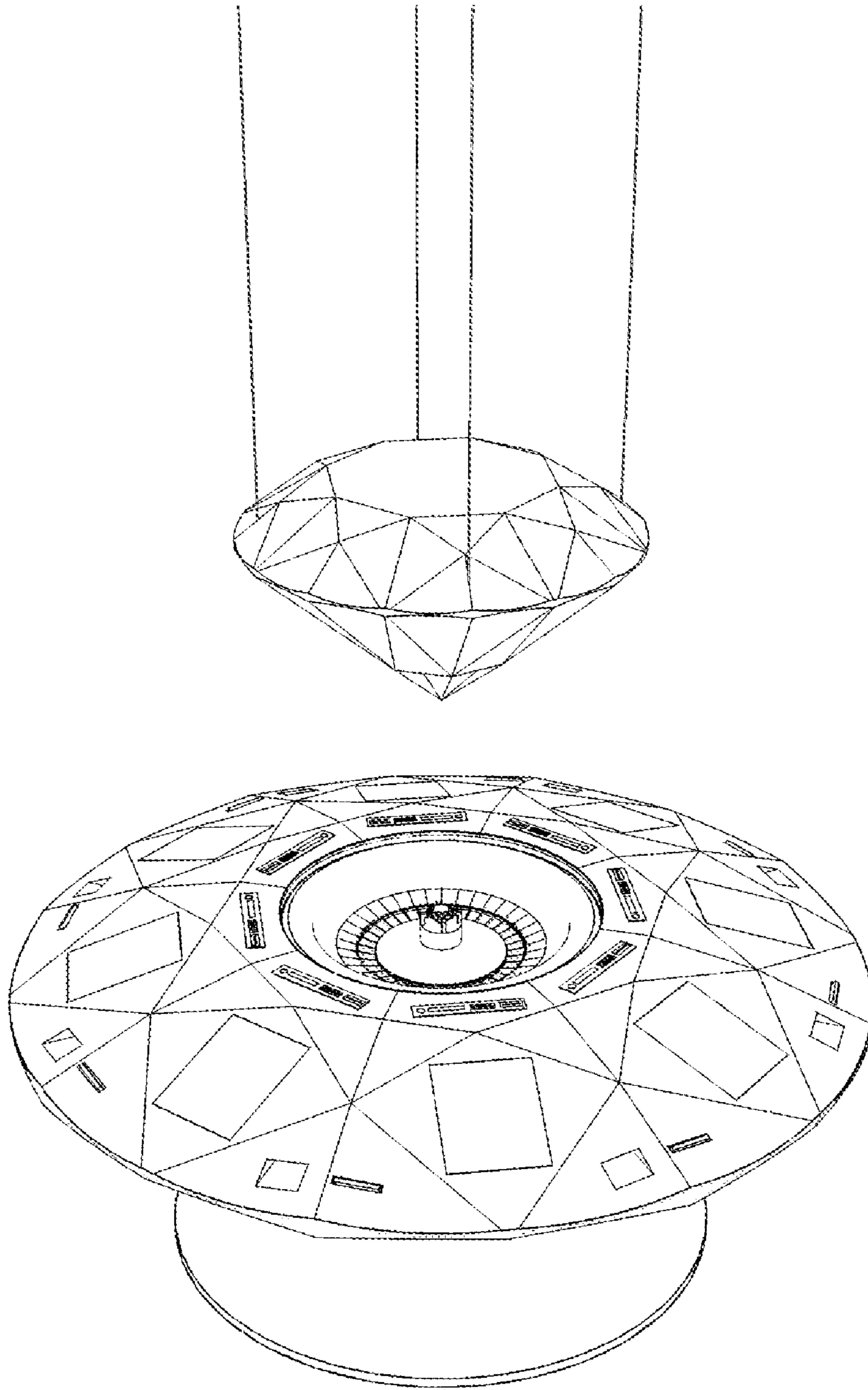


FIG. 1

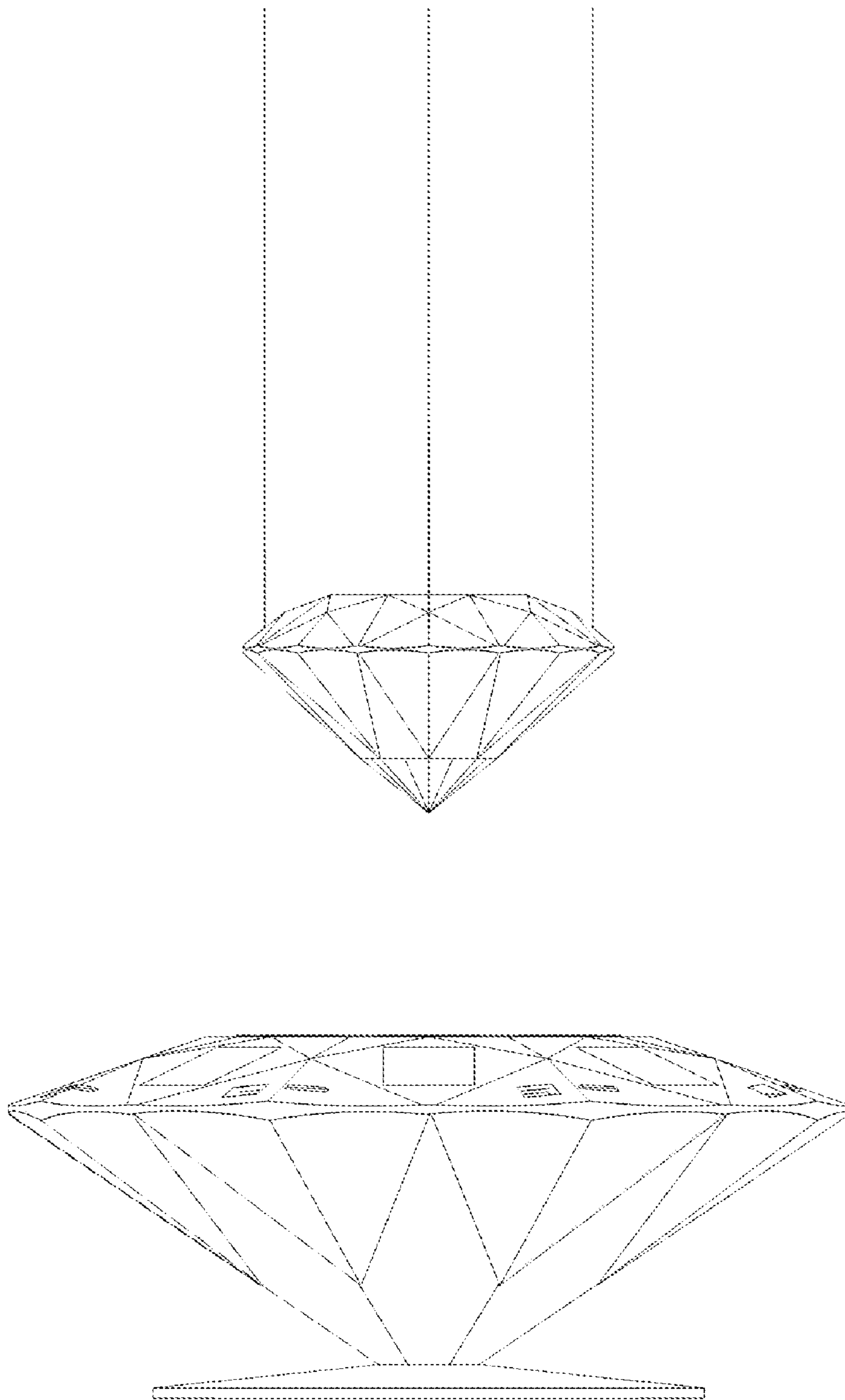


FIG. 2

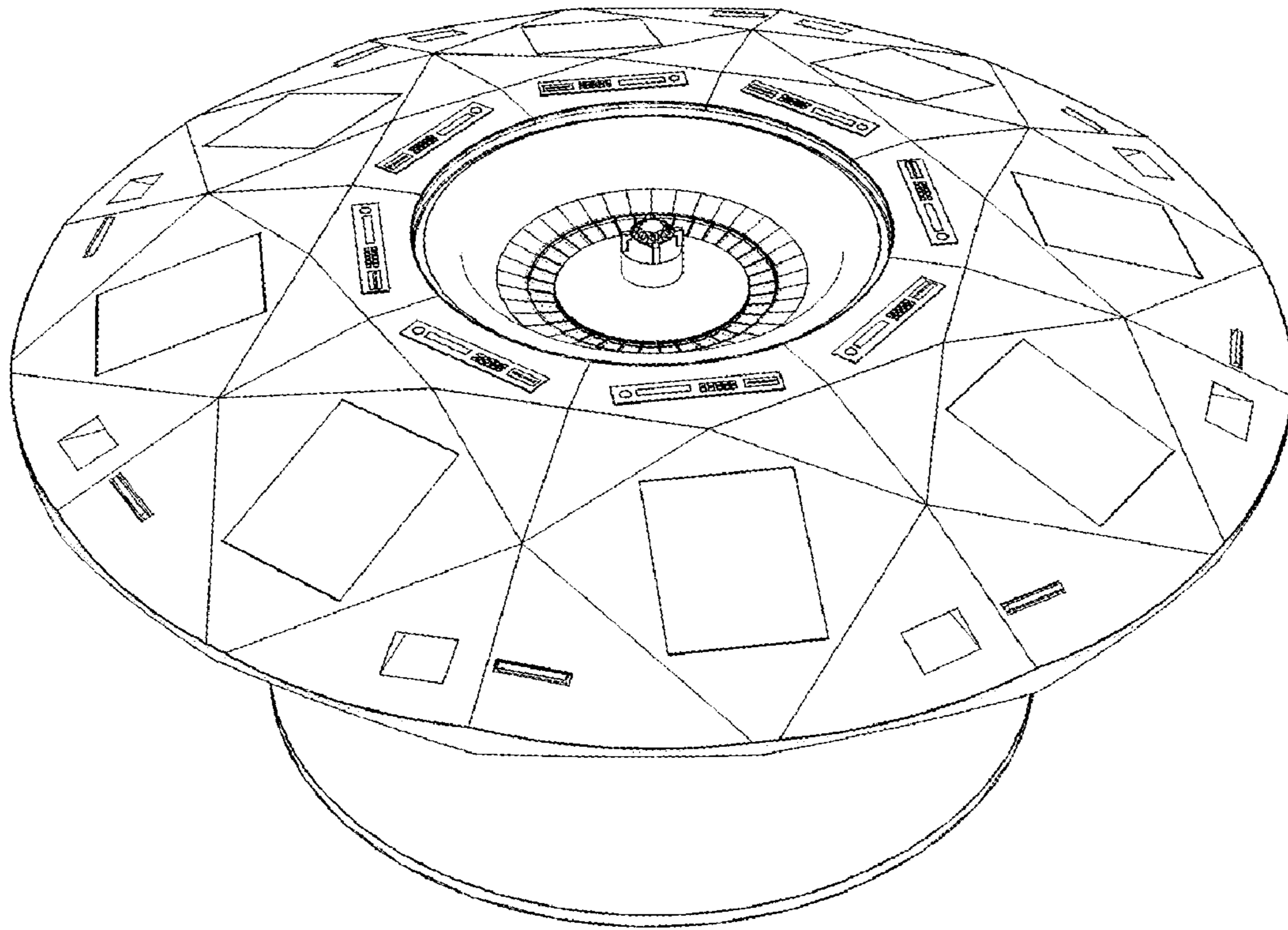


FIG. 3

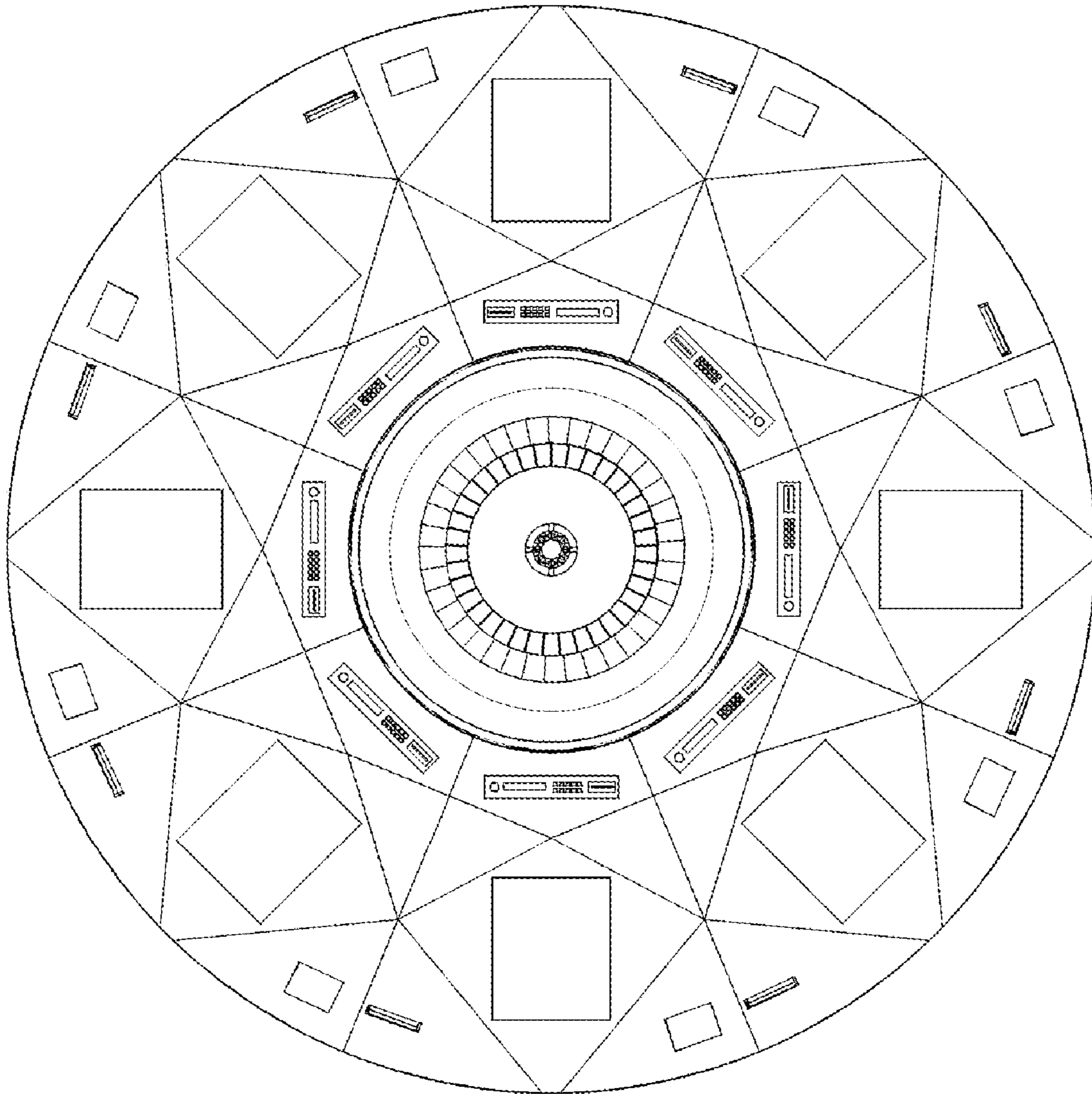


FIG. 4

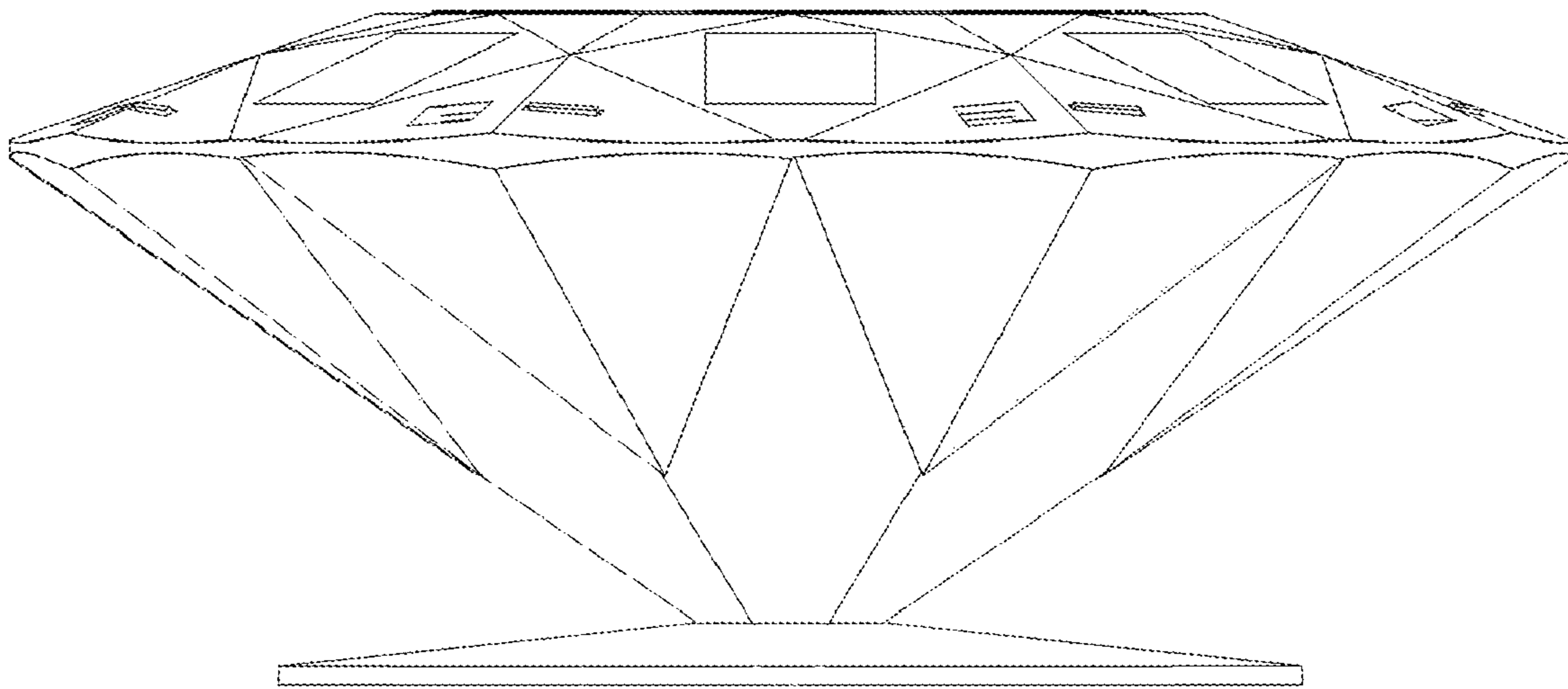


FIG. 5