



US00D588201S

(12) **United States Design Patent**
Kohagen et al.

(10) **Patent No.:** **US D588,201 S**
(45) **Date of Patent:** **** Mar. 10, 2009**

(54) **NAMEPLATE**

(75) Inventors: **Steven Frederick Kohagen**, Waverly, IA (US); **Jim Hand**, Glen Ellyn, IL (US); **Greg Holderfield**, Oak Park, IL (US); **Eric Hyman**, South Grafton, MA (US)

(73) Assignee: **Waterloo Industries, Inc.**, Oak Creek, WI (US)

(**) Term: **14 Years**

(21) Appl. No.: **29/279,822**

(22) Filed: **May 8, 2007**

(51) **LOC (9) Cl.** **20-02**

(52) **U.S. Cl.** **D20/42**

(58) **Field of Classification Search** D20/10, D20/13, 15, 17, 19, 39, 42-44, 99; 40/1, 40/1.5, 1.6, 5, 6, 200, 325, 541, 584, 602.12, 40/606.01, 617, 624, 642, 737; D6/300, D6/308, 510; D8/330; D11/132, 157; D19/52, D19/137; 248/441.1; 283/56, 81; 362/604, 362/812; 404/10

See application file for complete search history.

(56) **References Cited**

U.S. PATENT DOCUMENTS

D57,752 S * 4/1921 Webber D20/15
D206,518 S * 12/1966 Evens D20/43
3,575,092 A * 4/1971 Freeman 404/10
3,779,504 A * 12/1973 Schwartz et al. 248/441.1
D281,706 S * 12/1985 Winter et al. D20/43
D328,573 S * 8/1992 Berry D11/157
D366,764 S * 2/1996 Hunt D6/300

D369,624 S * 5/1996 Richardson D20/42
D386,007 S * 11/1997 Eckhardt D6/300
D477,767 S * 7/2003 Burdett et al. D8/330
D529,960 S * 10/2006 Cox D19/37
D536,881 S * 2/2007 Mischel et al. D6/308
D547,071 S * 7/2007 Mischel et al. D6/300
D577,524 S * 9/2008 Frazier D6/510
2004/0095741 A1 * 5/2004 Chen 362/604
2006/0059757 A1 * 3/2006 Didulo 40/737
2006/0086025 A1 * 4/2006 Benedict et al. 40/606.12

* cited by examiner

Primary Examiner—Caron Veynar

Assistant Examiner—Mary Ann Calabrese

(74) *Attorney, Agent, or Firm*—Calfee, Halter Griswold LLP

(57) **CLAIM**

The ornamental design for a nameplate, as shown and described.

DESCRIPTION

FIG. 1 is a perspective view of a nameplate of the new design;

FIG. 2 is a top plan view of the nameplate of FIG. 1;

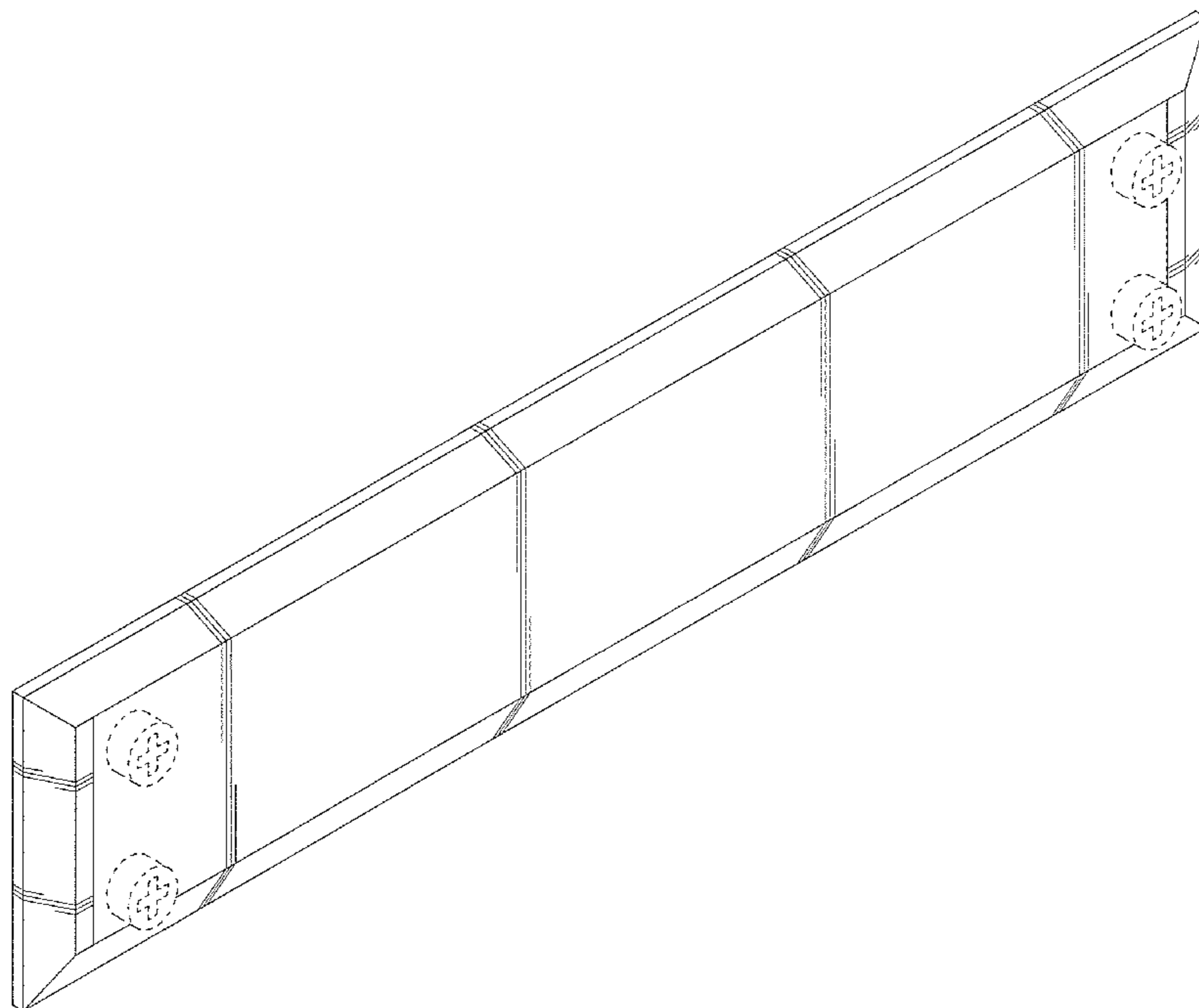
FIG. 3 is a front elevational view of the nameplate of FIG. 1, the opposing rear elevational view being an exact mirror image thereof;

FIG. 4 is a bottom plan view of the nameplate of FIG. 1; and,

FIG. 5 is a side elevational view of the nameplate of FIG. 1, the opposing side elevational view being an exact mirror image thereof.

The portions of the Figures shown in broken lines are not part of the claimed design and are for illustration only.

1 Claim, 3 Drawing Sheets



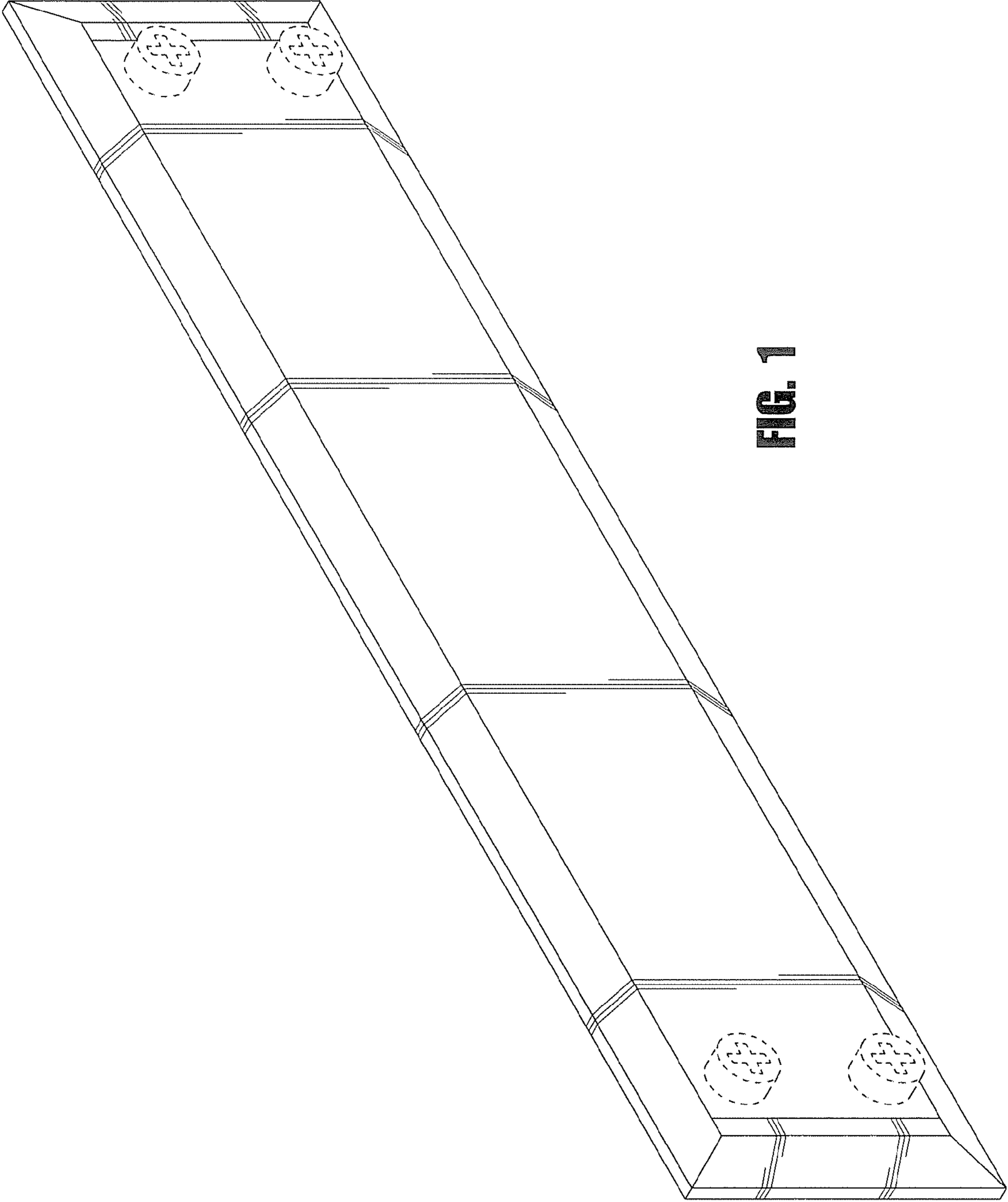


FIG. 1

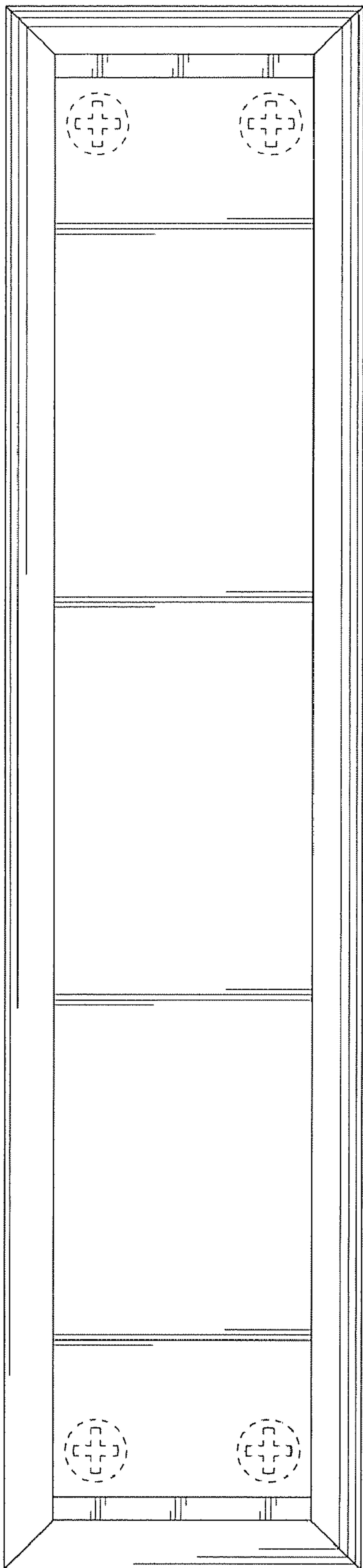


FIG. 2

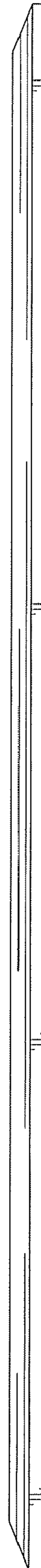


FIG. 3

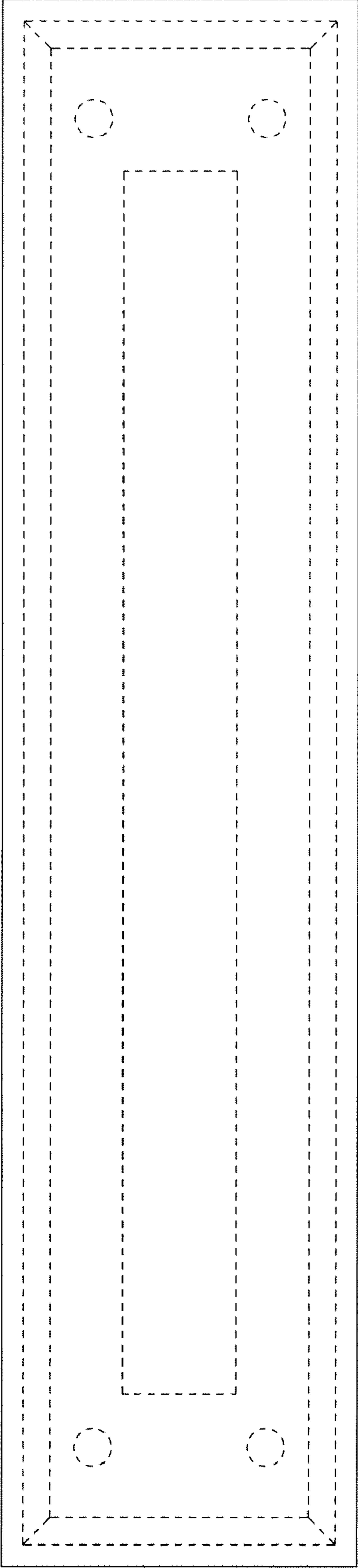


FIG. 4

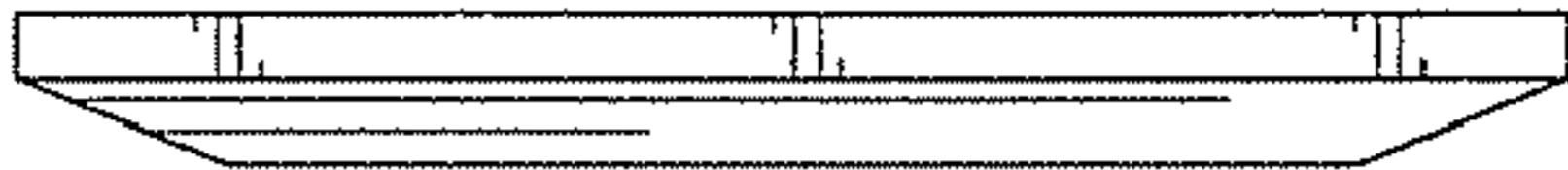


FIG. 5