



US00D588199S

(12) **United States Design Patent**
Eisenbaum

(10) **Patent No.:** **US D588,199 S**
(45) **Date of Patent:** **** Mar. 10, 2009**

(54) **DESK CADDY**

(75) Inventor: **Harry Eisenbaum**, Boston, MA (US)

(73) Assignee: **Armada Art, Inc.**, Boston, MA (US)

(**) Term: **14 Years**

(21) Appl. No.: **29/284,242**

(22) Filed: **Sep. 4, 2007**

(51) **LOC (9) Cl.** **19-02**

(52) **U.S. Cl.** **D19/77**

(58) **Field of Classification Search** D3/259,
D3/271.9, 306-313; D7/553.8, 554.2, 557,
D7/388, 409, 701, 704, 705, 706; D9/455,
D9/600.1, 600.2, 600.3, 600.4; D19/75,
D19/77-87, 93-97, 99, 100; 206/202, 214,
206/371; 211/85.31, 126.8, 133.2, 133.5;
220/485, 886; 248/153, 175

See application file for complete search history.

(56) **References Cited**

U.S. PATENT DOCUMENTS

568,805 A * 10/1896 Shepherd 220/486

(Continued)

Primary Examiner—Elizabeth A Albert

(74) *Attorney, Agent, or Firm*—Fay Kaplun & Marcin, LLP

(57) **CLAIM**

The ornamental design for a desk caddy, as shown and described.

DESCRIPTION

FIG. 1 is a perspective view of an ornamental design of an embodiment of a desk caddy showing our new design;

FIG. 2 is a perspective view of the desk caddy of FIG. 1 with a handle thereof elevated;

FIG. 3 is a front view thereof;

FIG. 4 is a top view thereof;

FIG. 5 is a side view thereof;

FIG. 6 is a back view thereof;

FIG. 7 is a perspective view of the desk caddy of FIG. 1 with the cups removed for convenience of illustration;

FIG. 8 is a front view of the desk caddy of FIG. 7;

FIG. 9 is a top view of the desk caddy of FIG. 7;

FIG. 10 is a back view of the desk caddy of FIG. 7;

FIG. 11 is a side view of the desk caddy of FIG. 7;

FIG. 12 is a bottom view of the desk caddy of FIG. 7;

FIG. 13 is a perspective view of one of the cups of the desk caddy of FIG. 1 shown without the other cups or the frame for convenience of illustration;

FIG. 14 is a top view of the cup of FIG. 13;

FIG. 15 is a side view of the cup of FIG. 13;

FIG. 16 is a bottom view of the cup of FIG. 13;

FIG. 17 is a front view of the desk caddy according to a second embodiment of the invention with the cups removed for convenience of illustration;

FIG. 18 is a top view of the desk caddy of FIG. 17;

FIG. 19 is a back view of the desk caddy of FIG. 17;

FIG. 20 is a side view of the desk caddy of FIG. 17;

FIG. 21 is a bottom view of the desk caddy of FIG. 17;

FIG. 22 is a front view of the desk caddy according to a third embodiment of the invention with the cups removed for convenience of illustration;

FIG. 23 is a top view of a desk caddy of FIG. 22;

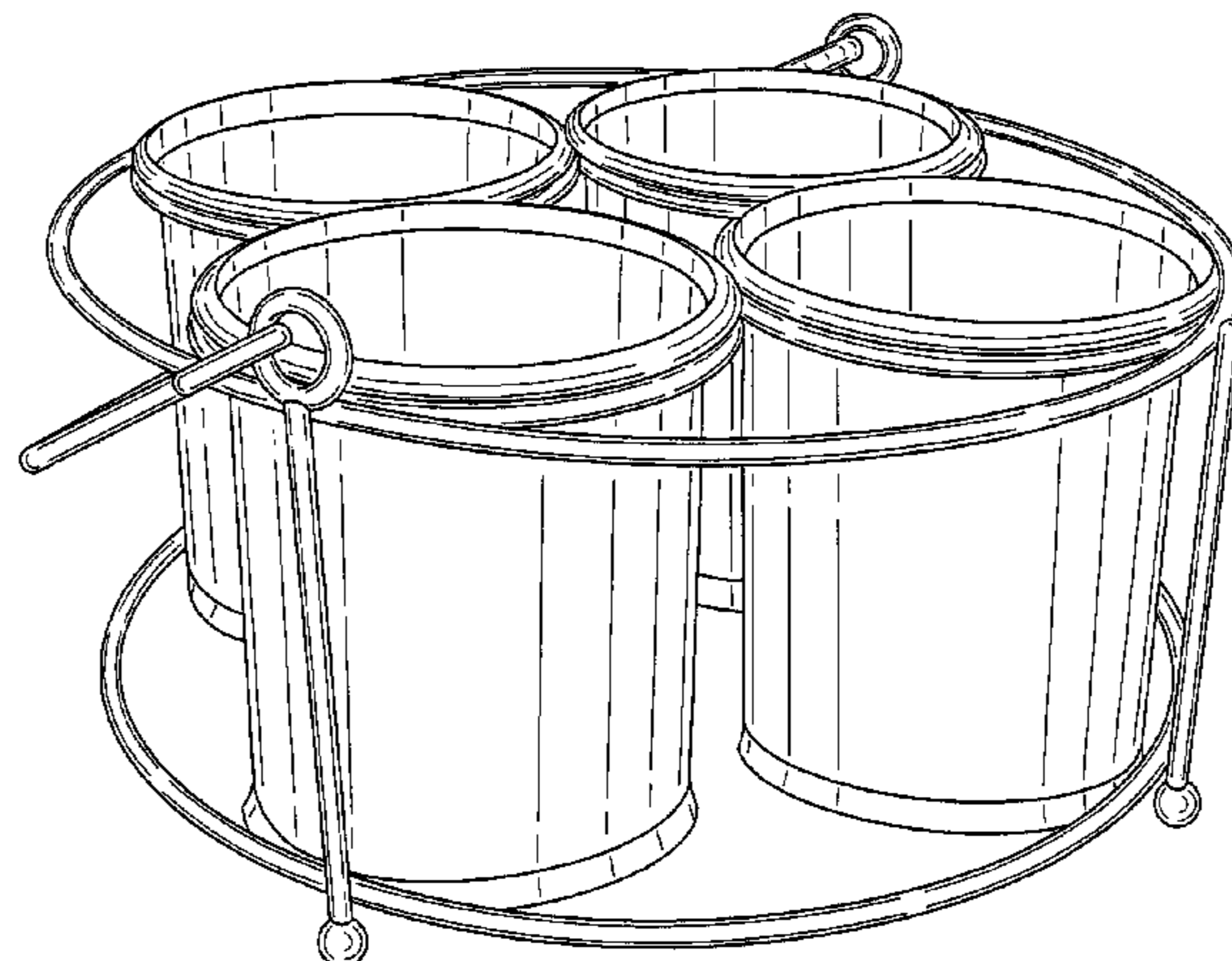
FIG. 24 is a side view of the desk caddy of FIG. 22;

FIG. 25 is a back view of the desk caddy of FIG. 22; and,

FIG. 26 is a bottom view of the desk caddy of FIG. 22.

The broken lines showing a hand in FIG. 2 and the bottom surfaces of the cups in FIGS. 4 and 14 are included for the purpose of illustrating environment and form no part of the claimed design.

1 Claim, 15 Drawing Sheets



US D588,199 S

Page 2

U.S. PATENT DOCUMENTS

909,715	A *	1/1909	Troegler	220/8	D280,773	S *	9/1985	Addy et al.	D3/309
1,530,175	A *	3/1925	Hatch, Jr.	220/6	4,630,744	A *	12/1986	Trombly	220/604
1,615,209	A *	1/1927	Asselin	248/175	D299,426	S *	1/1989	Andersson et al.	D9/780
1,631,725	A *	6/1927	Halvorsen	211/85.31	4,836,392	A *	6/1989	Constantino	211/133.5
1,956,678	A *	5/1934	Hanson	108/183	5,160,031	A *	11/1992	Palisin et al.	206/519
3,445,049	A *	5/1969	Carpenter, Jr.	229/5.84	D397,584	S *	9/1998	Vannello	D7/601
4,094,432	A *	6/1978	Zilbert	220/495.05	D446,688	S *	8/2001	Vanello	D7/601
D258,631	S *	3/1981	Lax	D7/542	6,588,620	B1 *	7/2003	Thuma et al.	220/489
4,358,493	A *	11/1982	Ohtsuki et al.	428/34.2	D566,474	S *	4/2008	Ray	D7/554.1

* cited by examiner

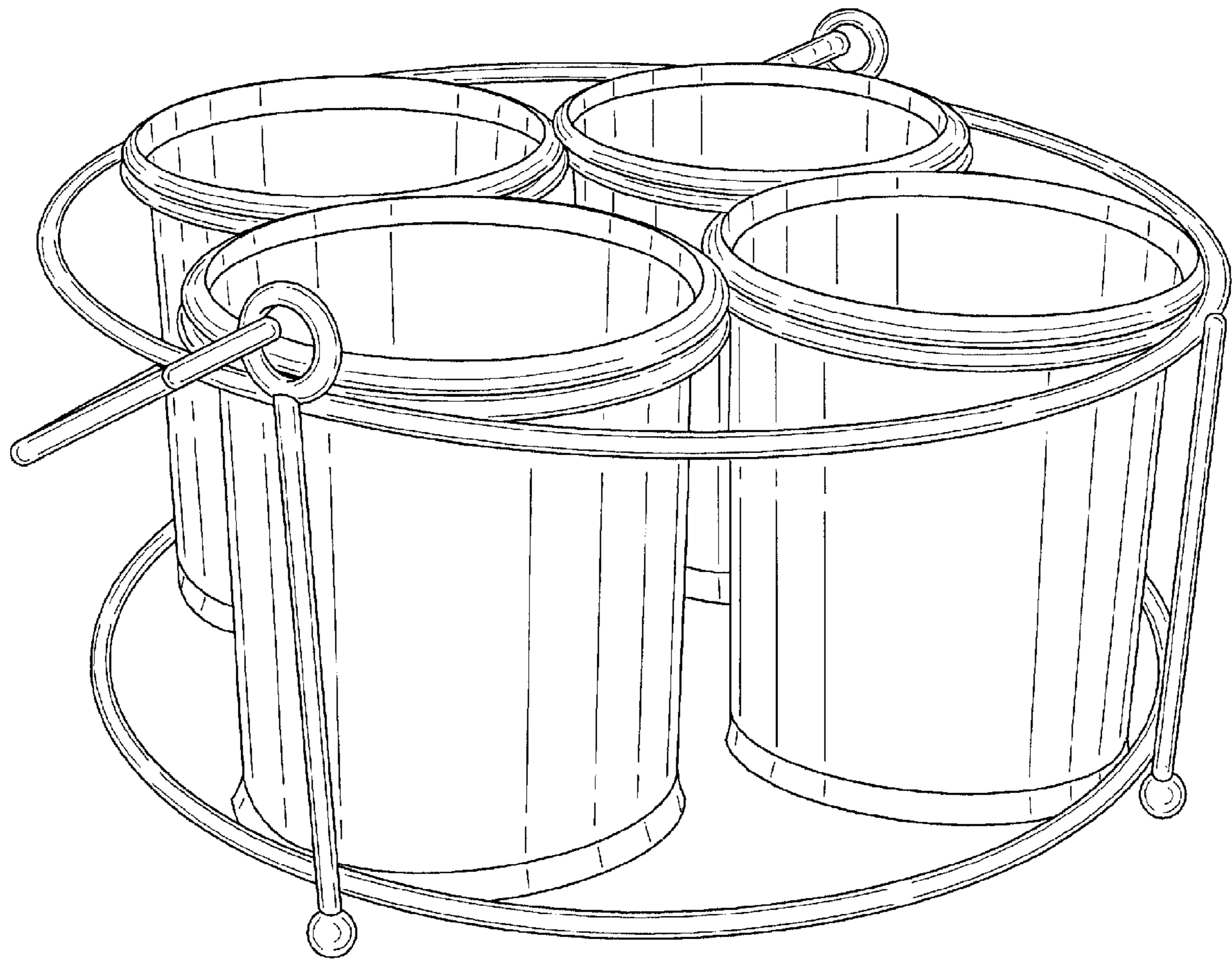


FIG. 1

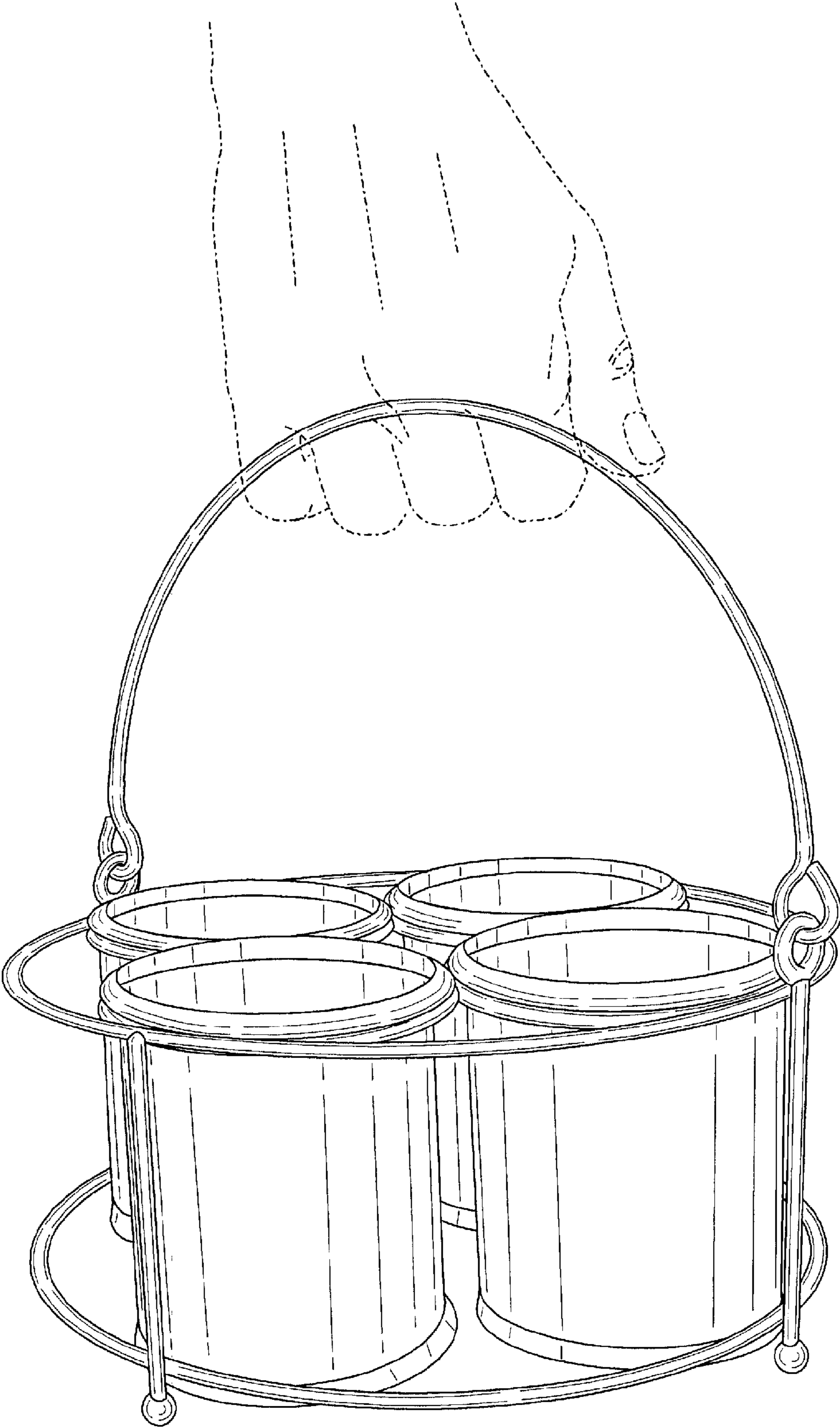


FIG. 2

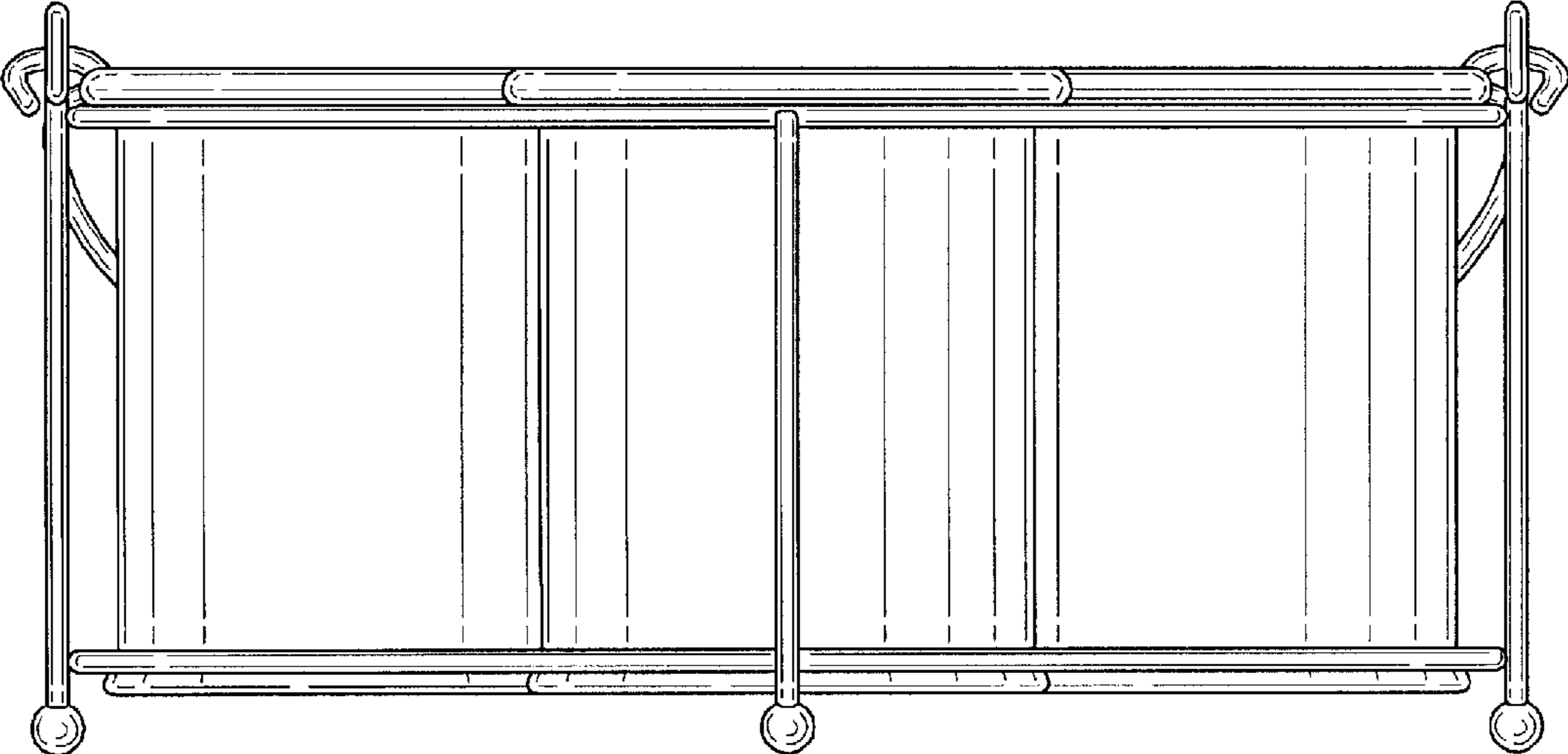


FIG. 3

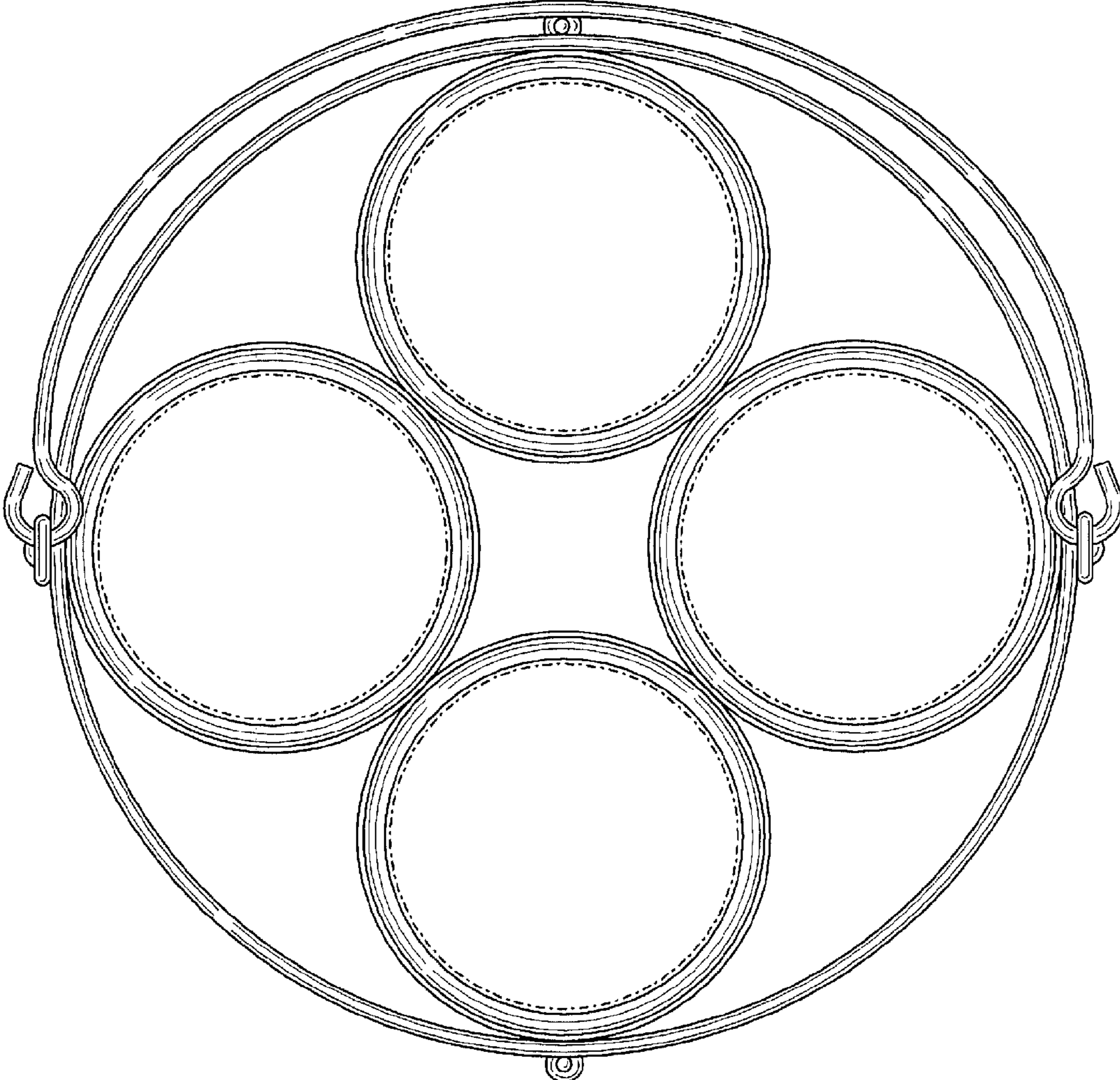


FIG. 4

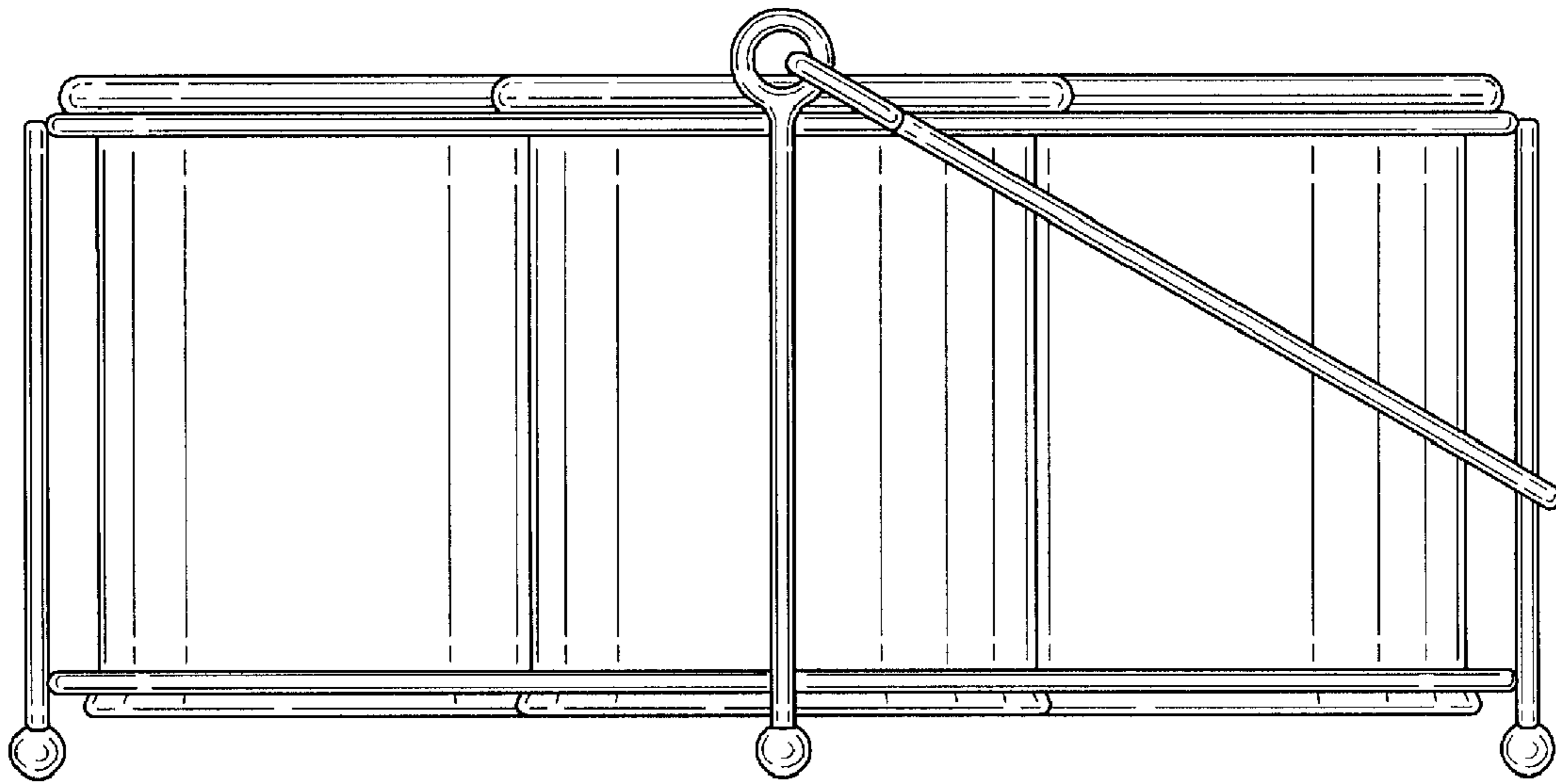


FIG. 5

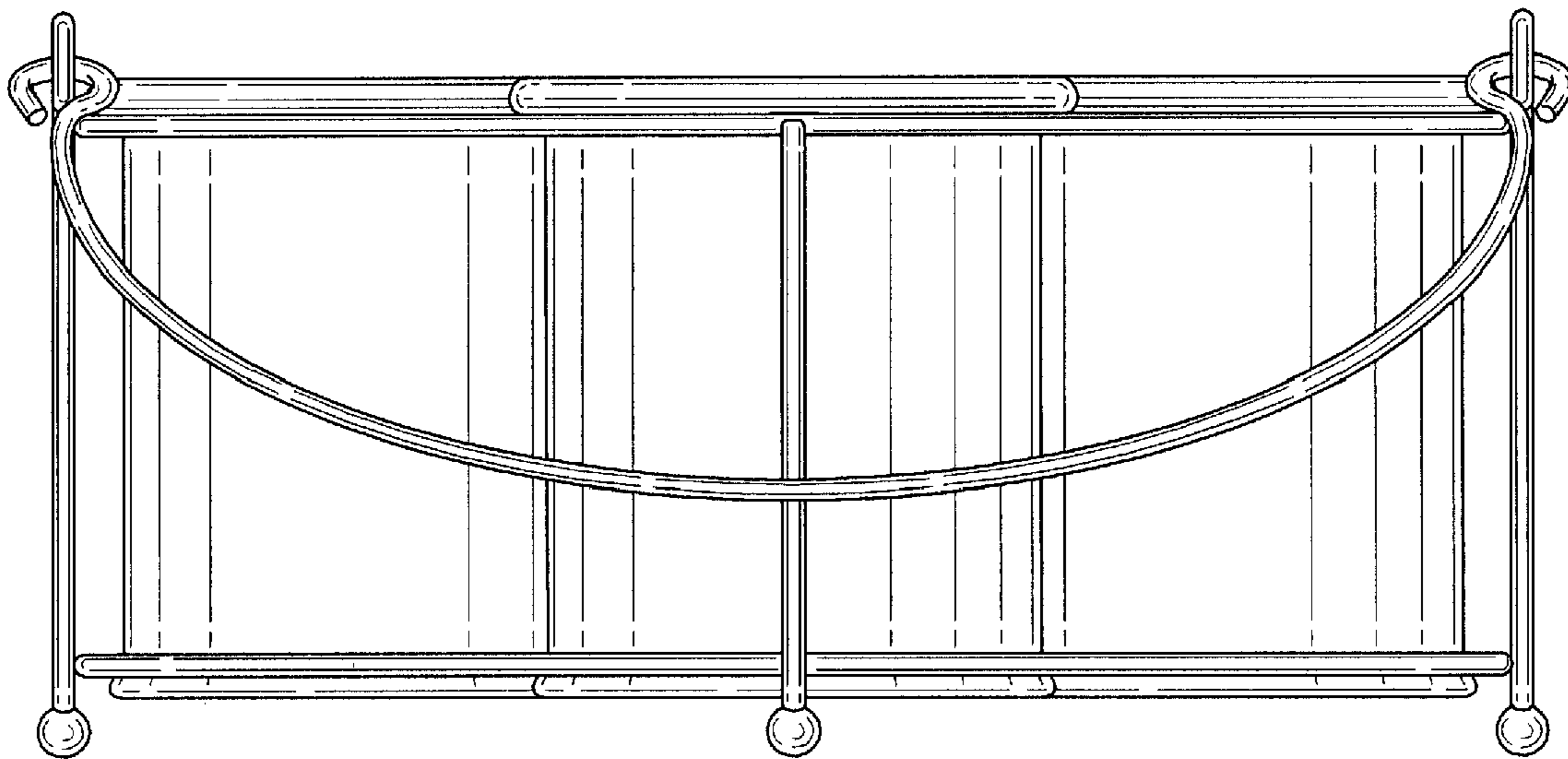


FIG. 6

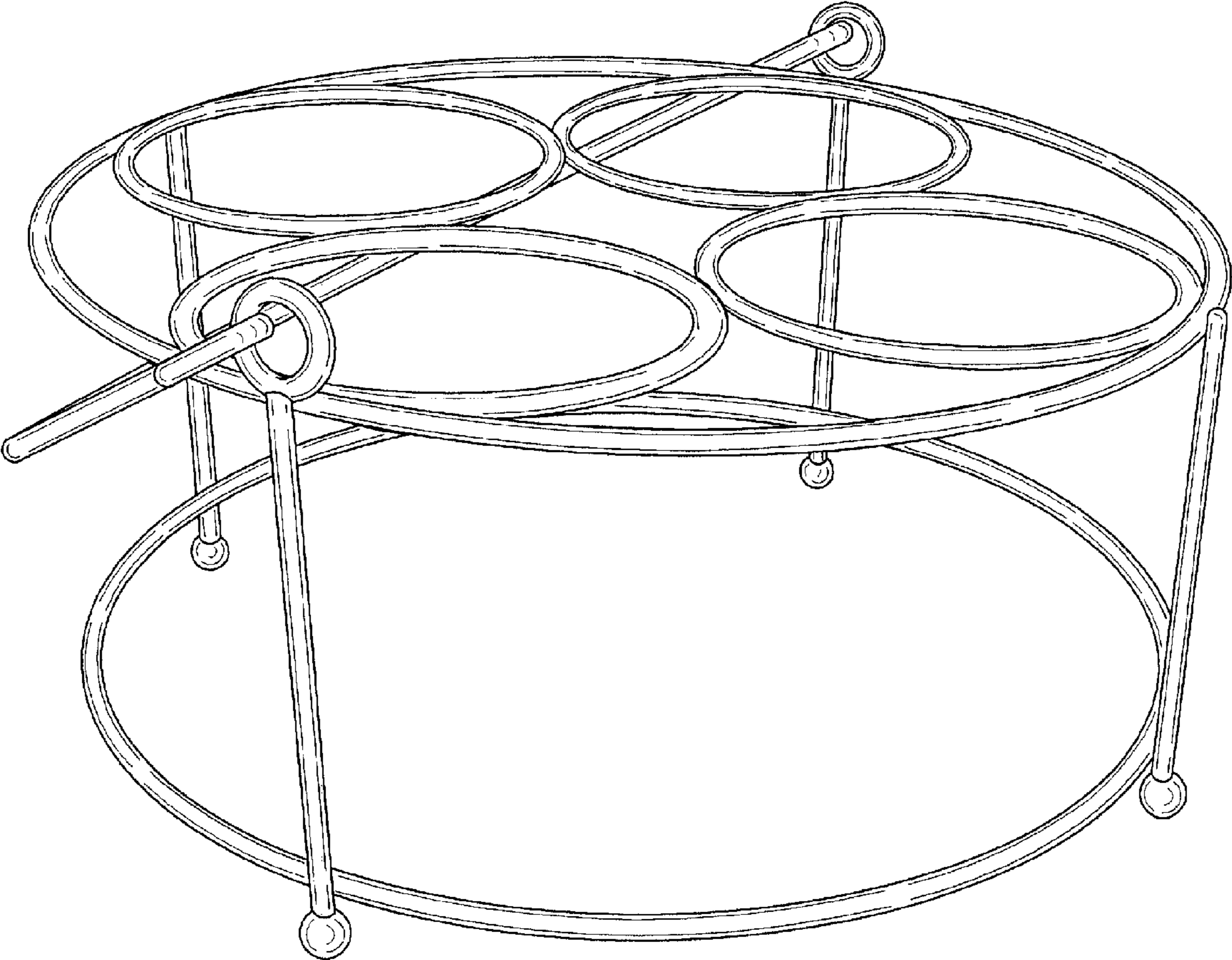


FIG. 7

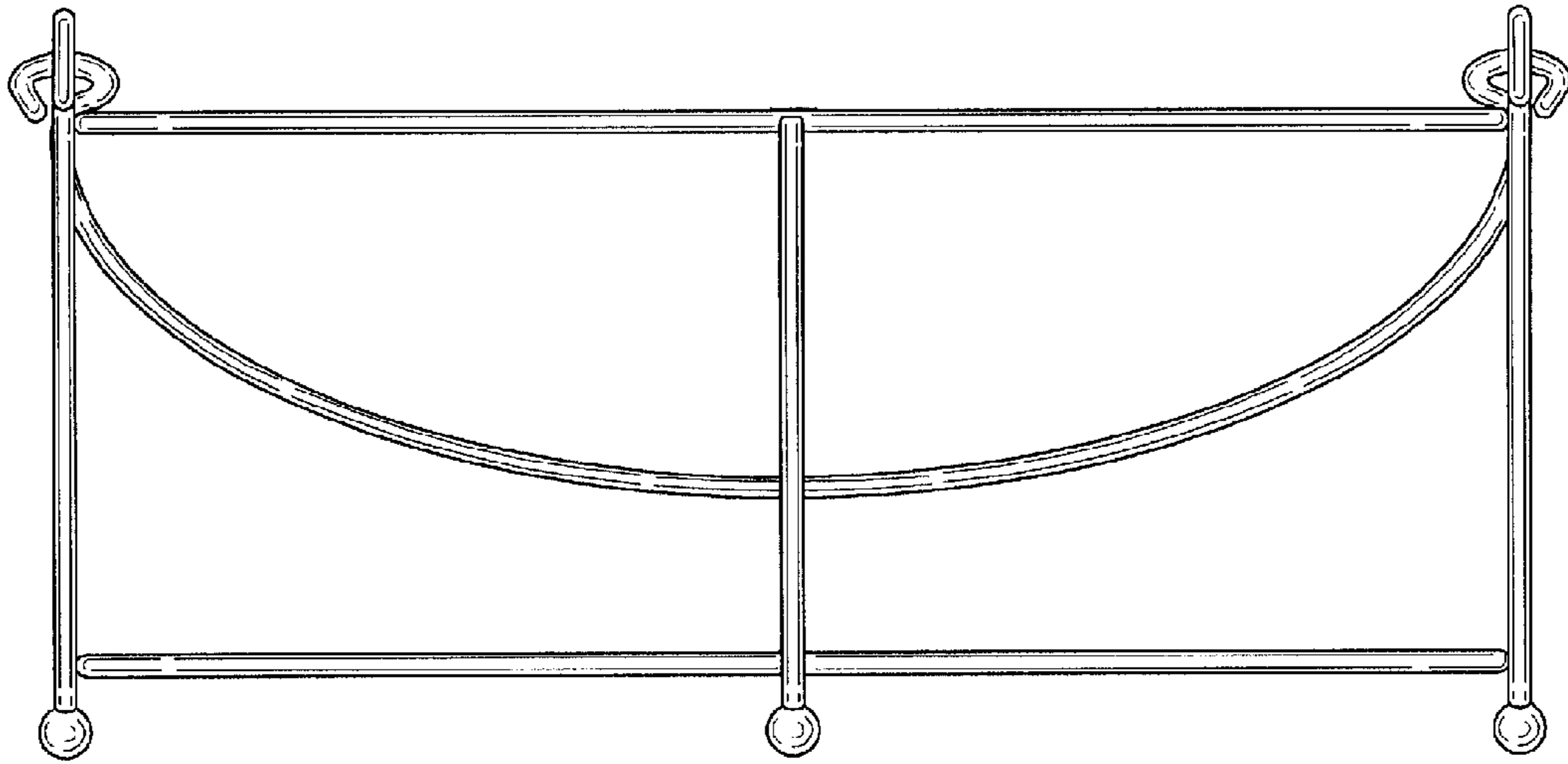


FIG. 8

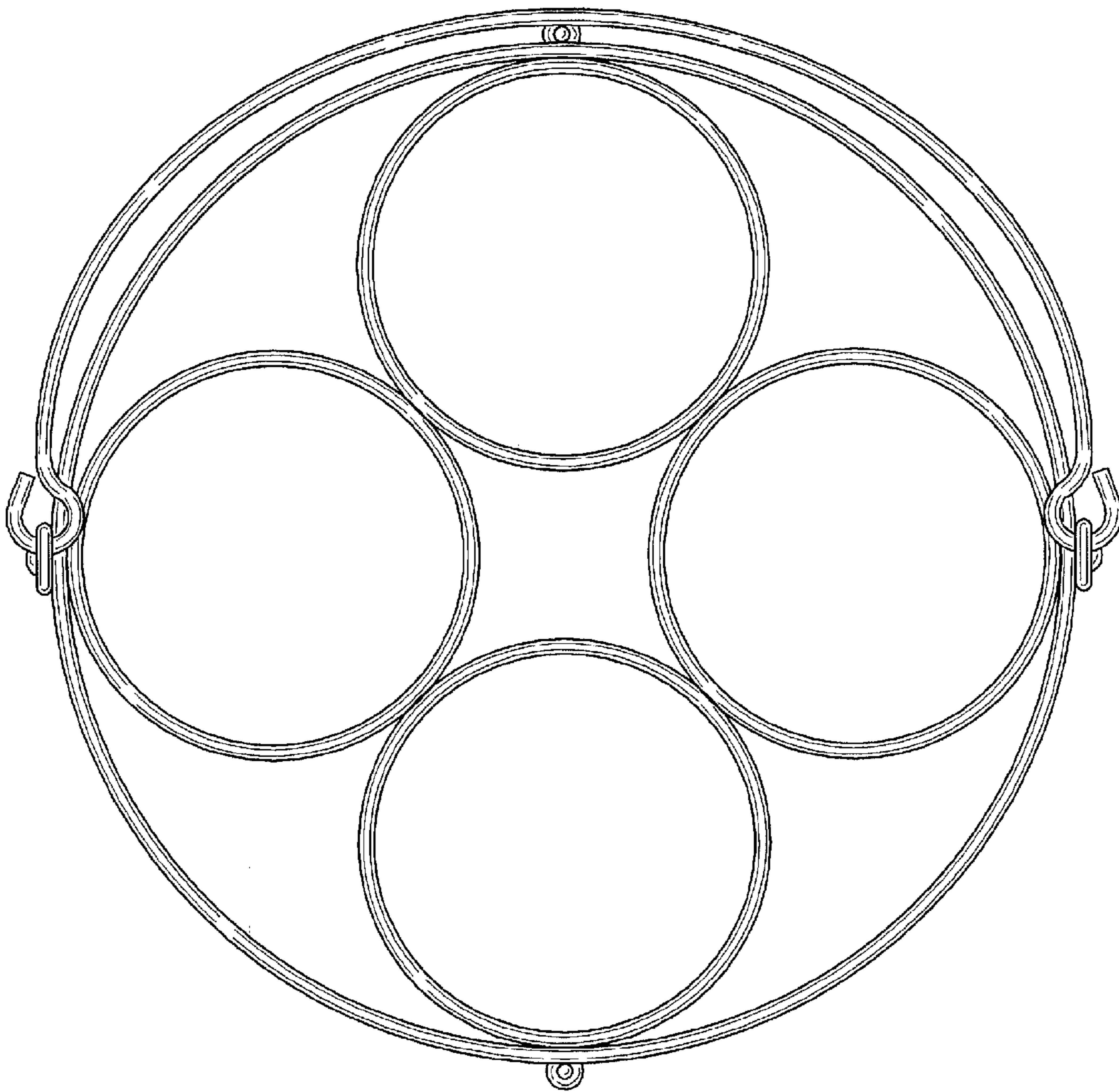


FIG. 9

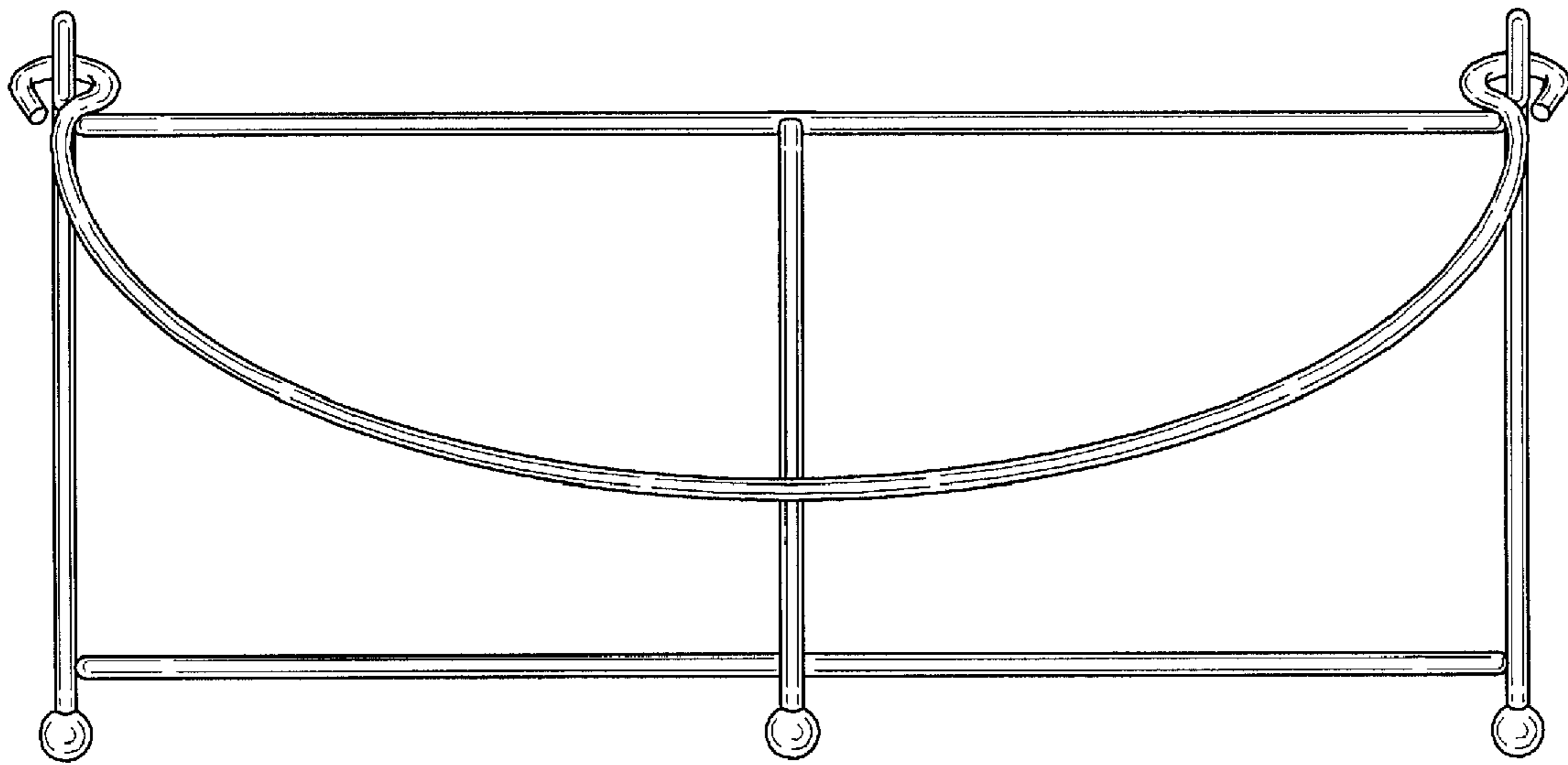


FIG. 10

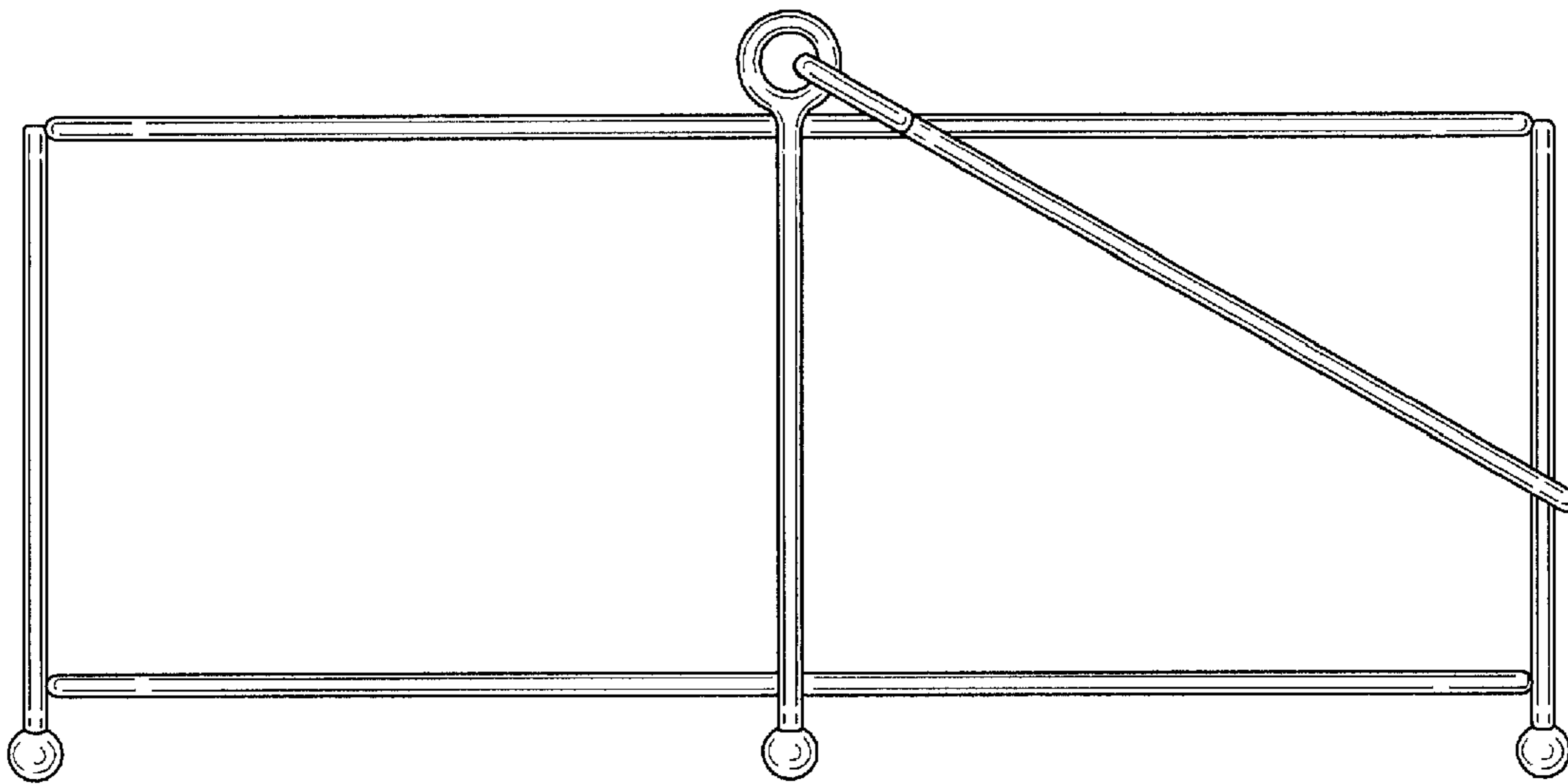


FIG. 11

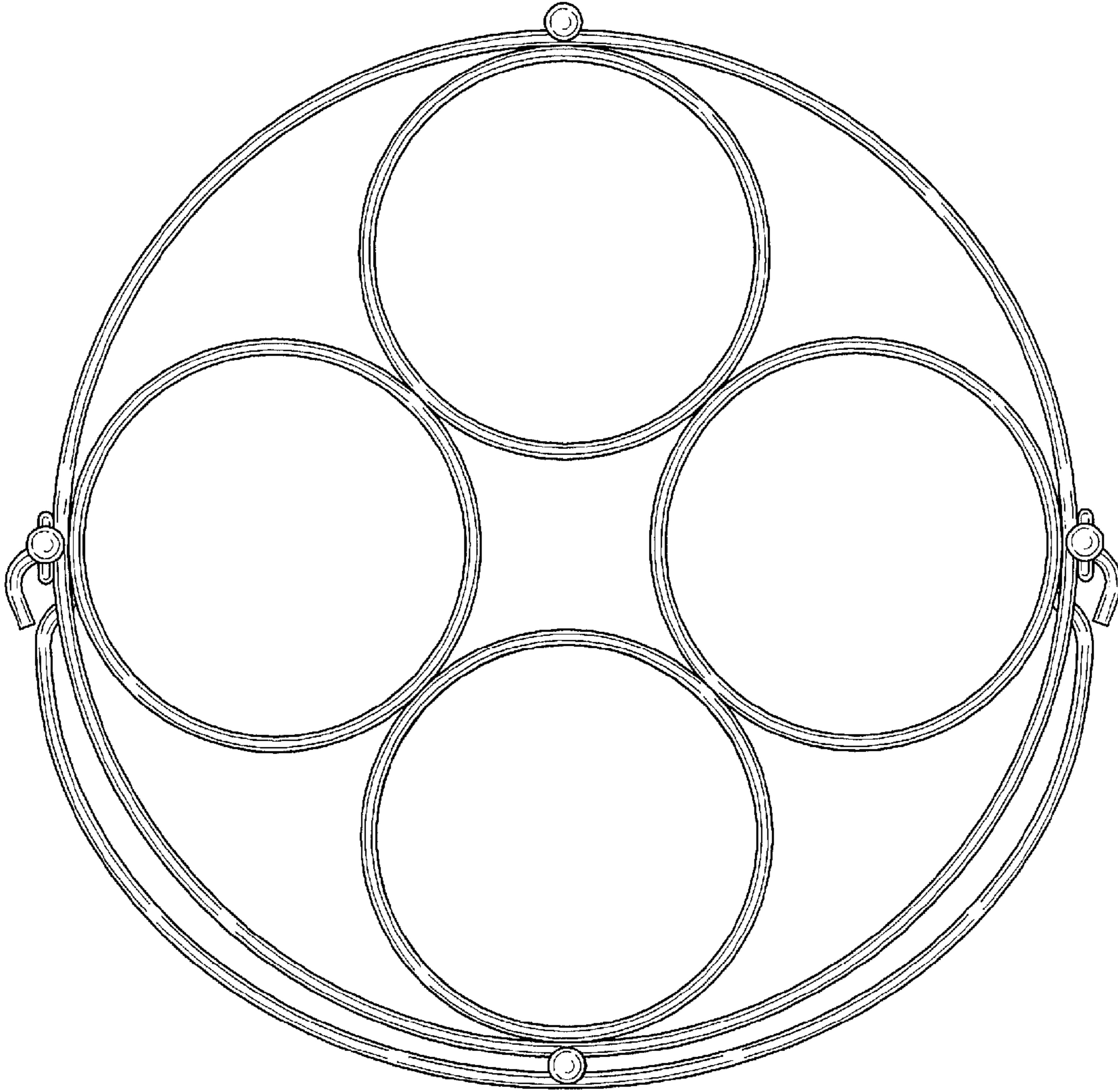


FIG. 12

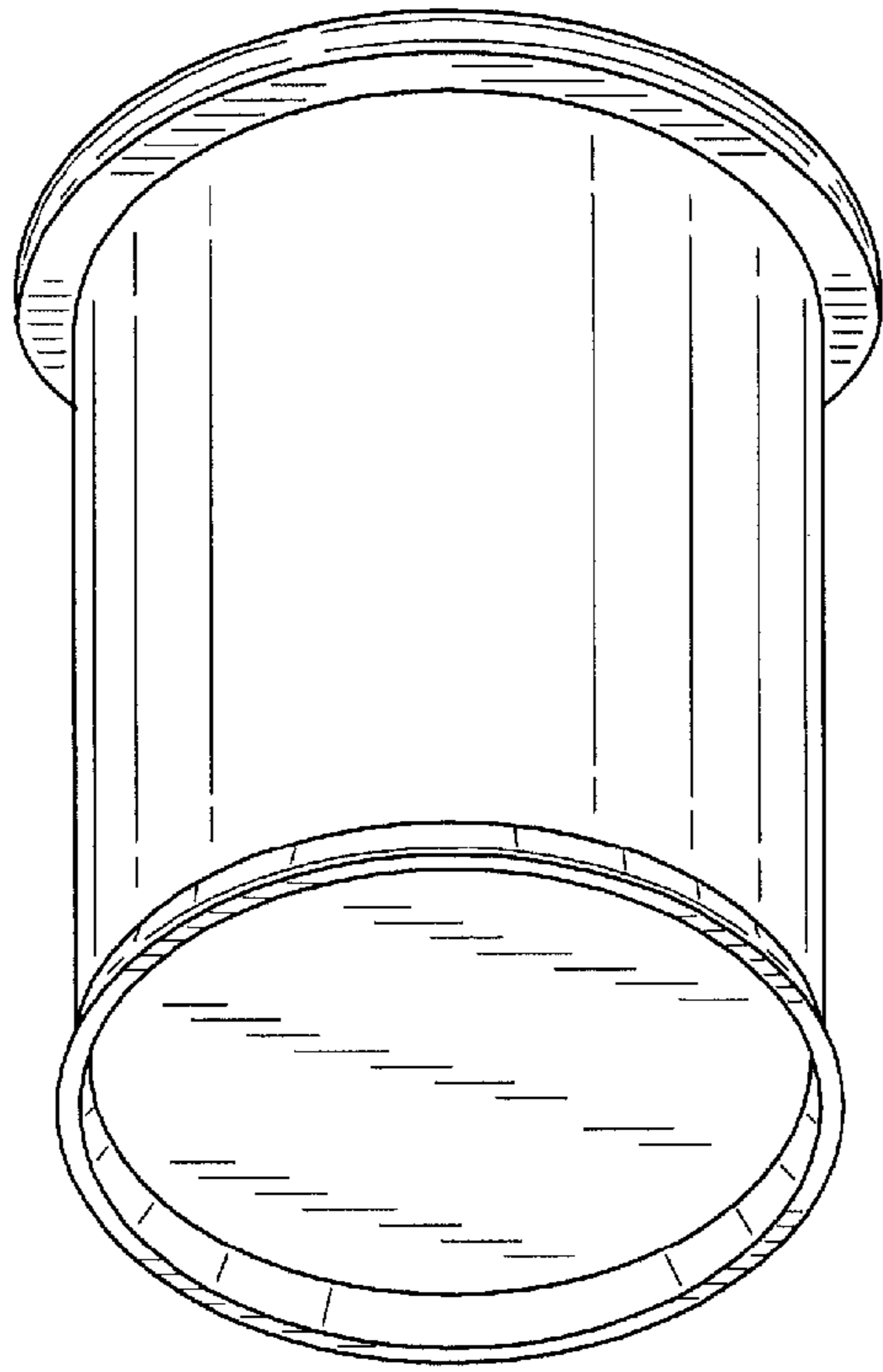


FIG. 13

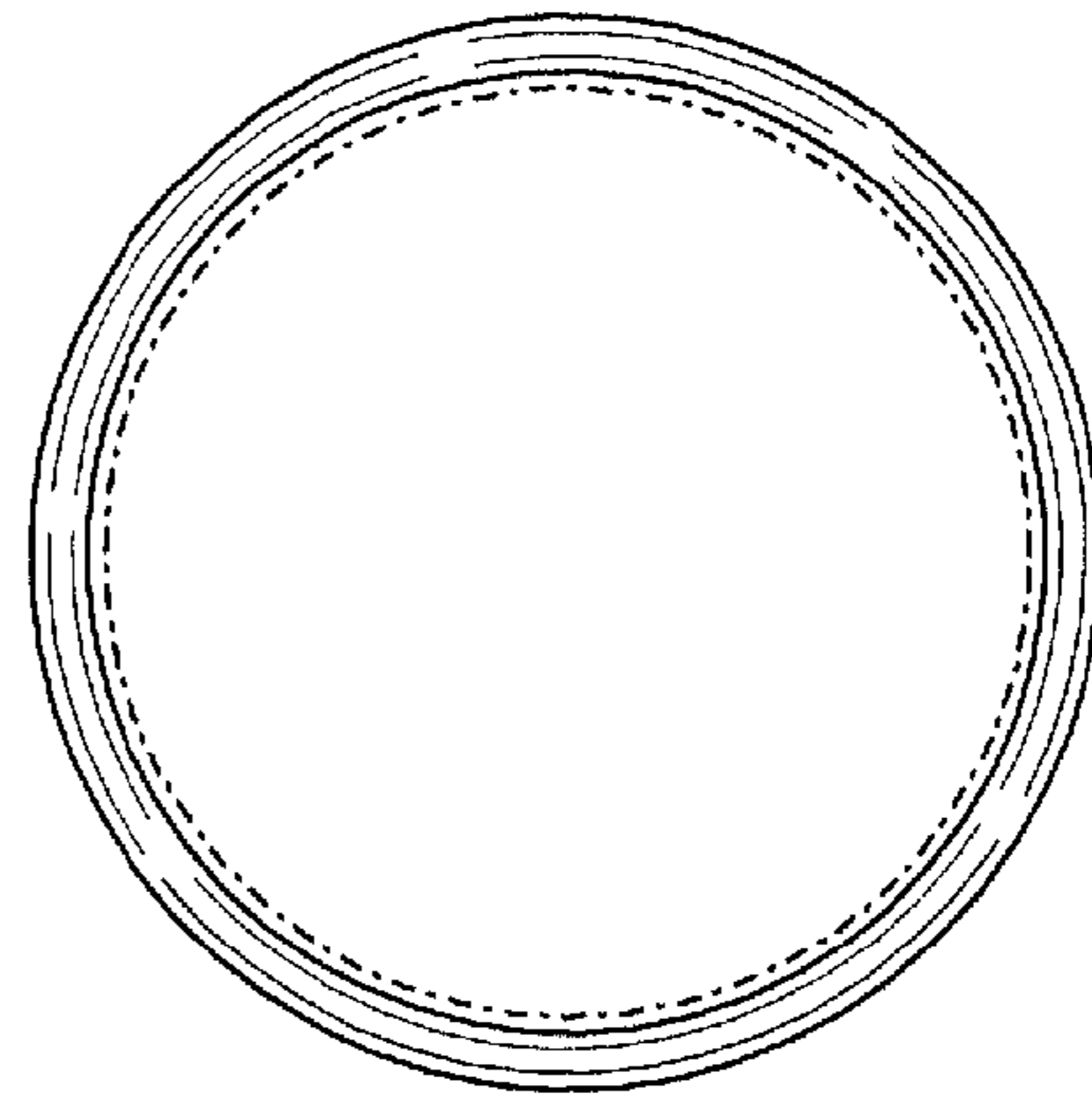


FIG. 14

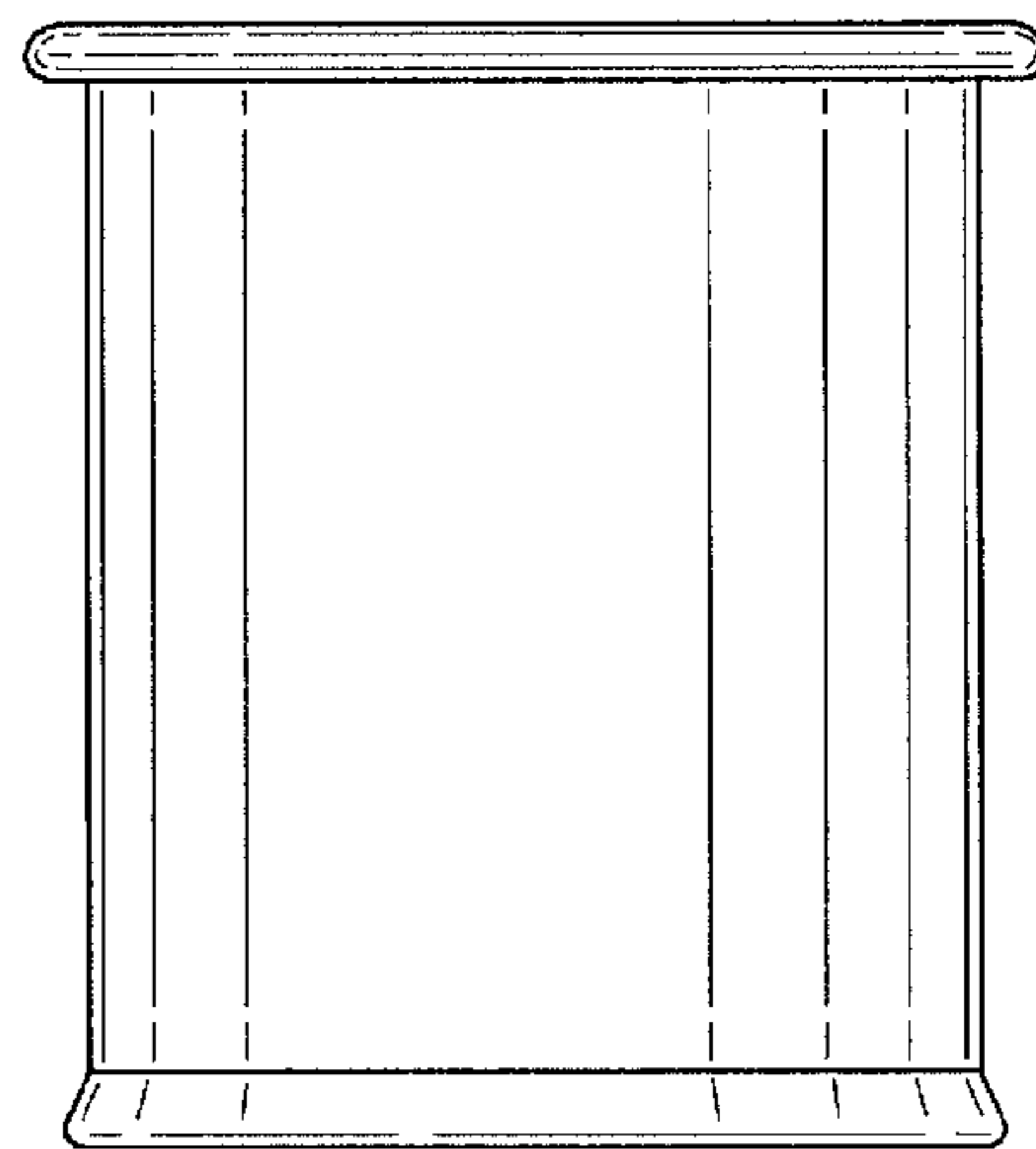


FIG. 15

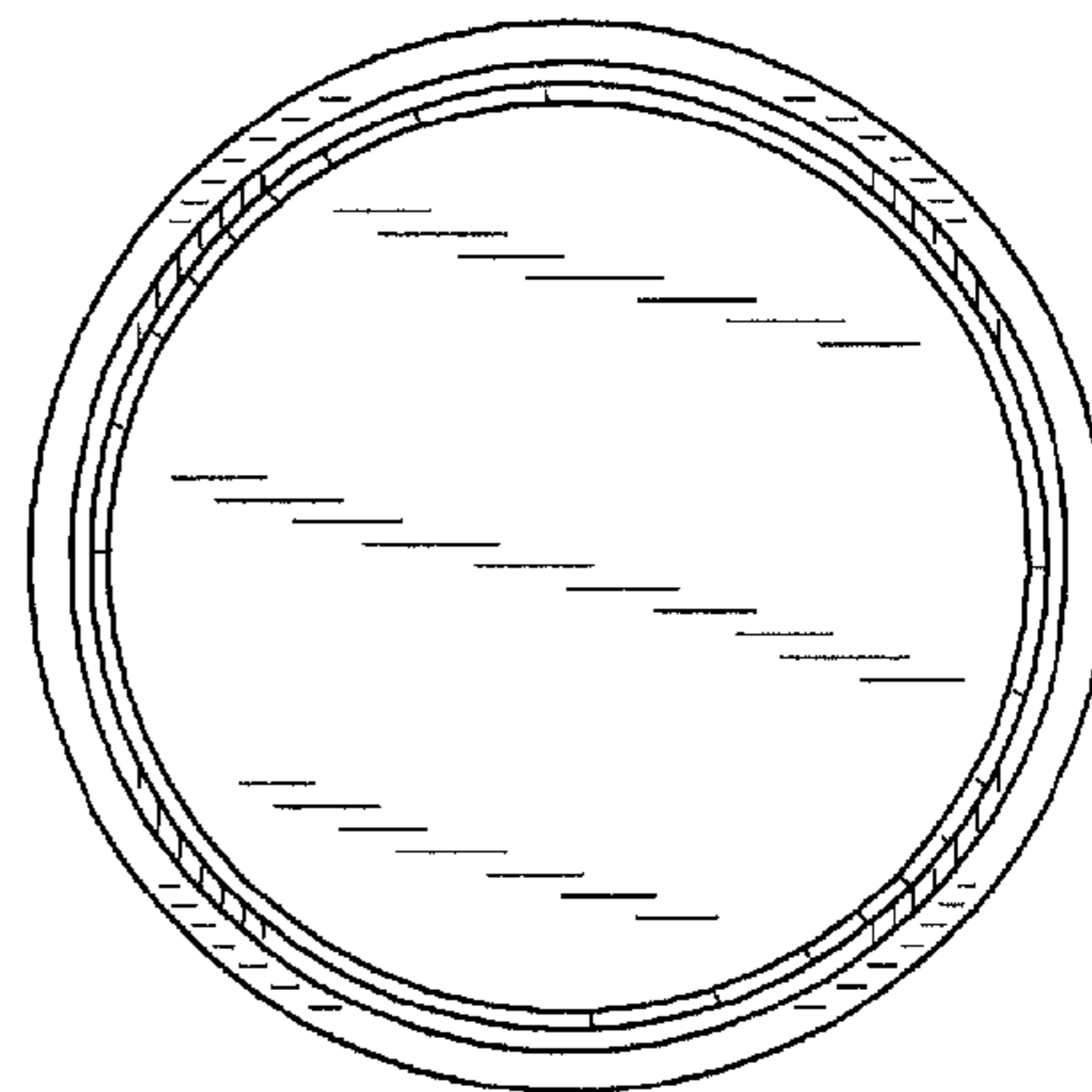


FIG. 16

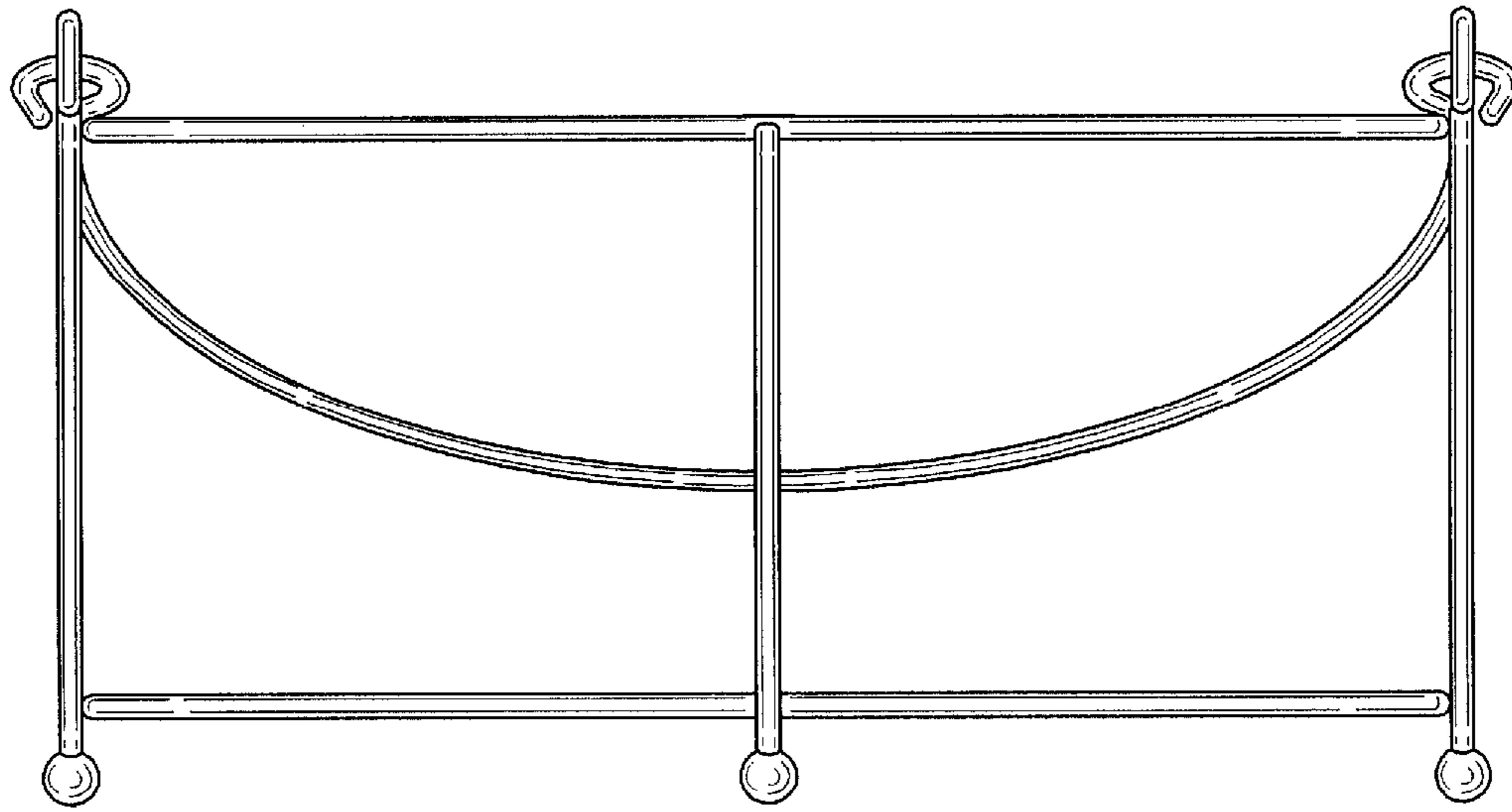


FIG. 17

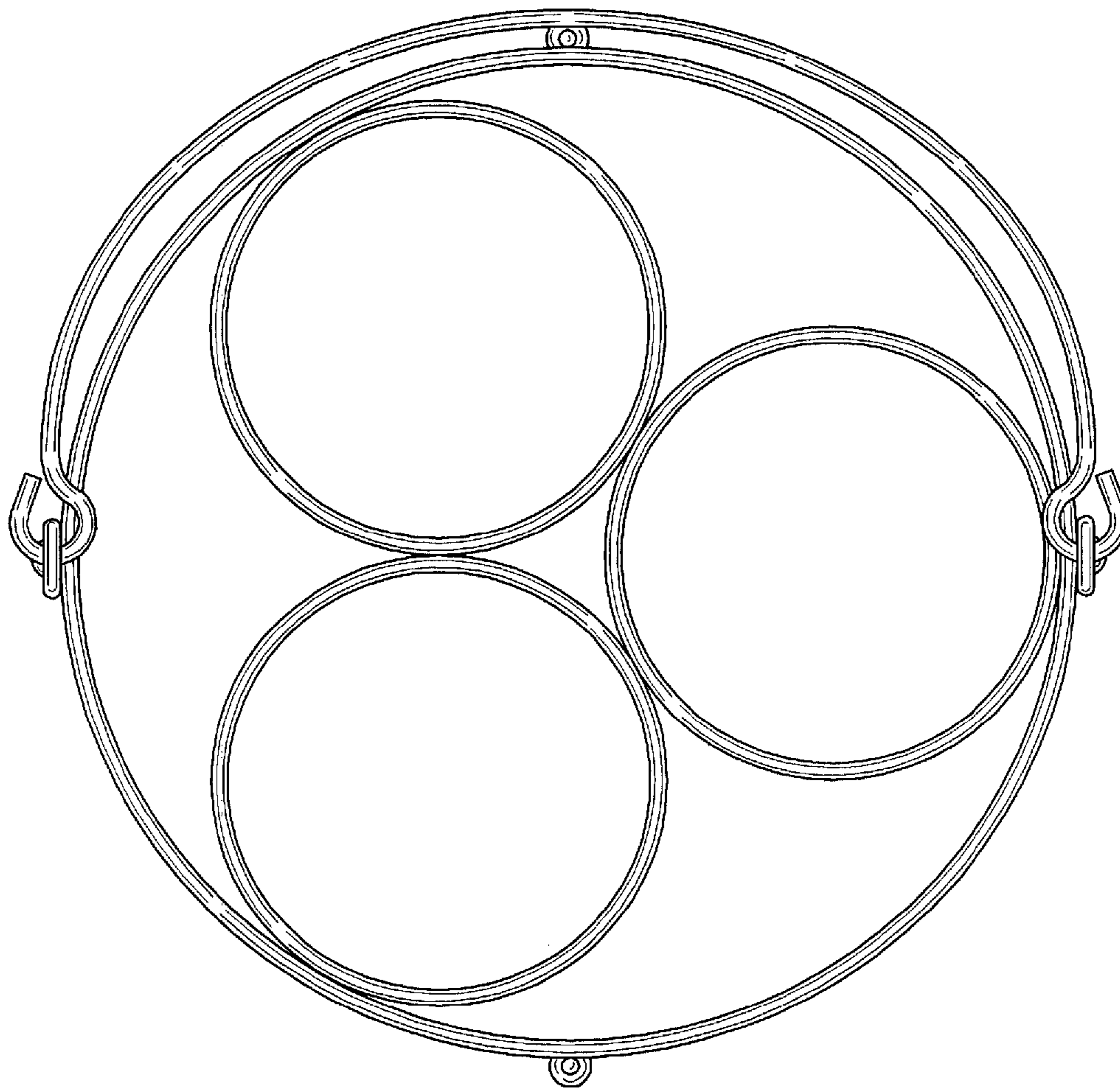


FIG. 18

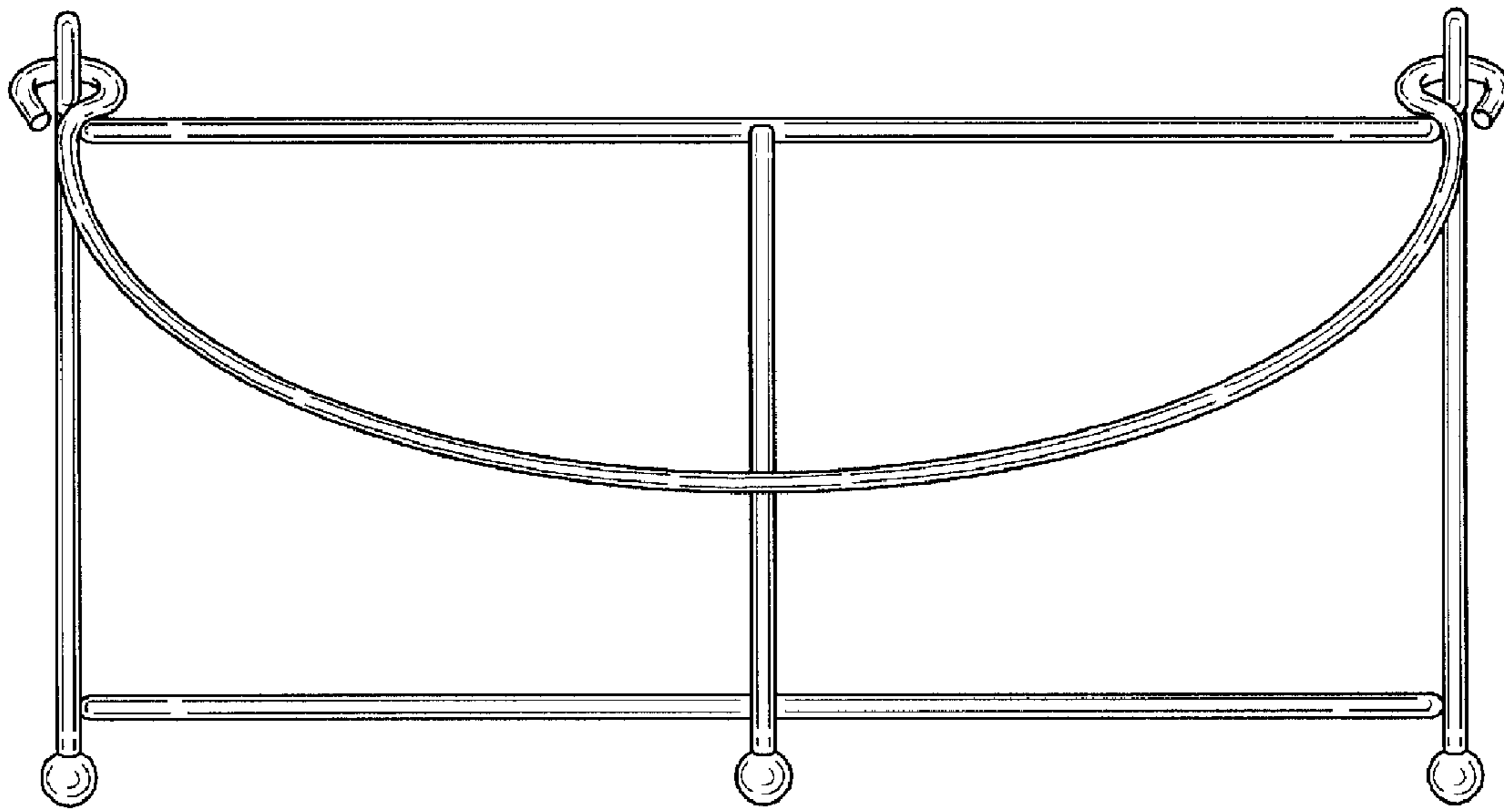


FIG. 19

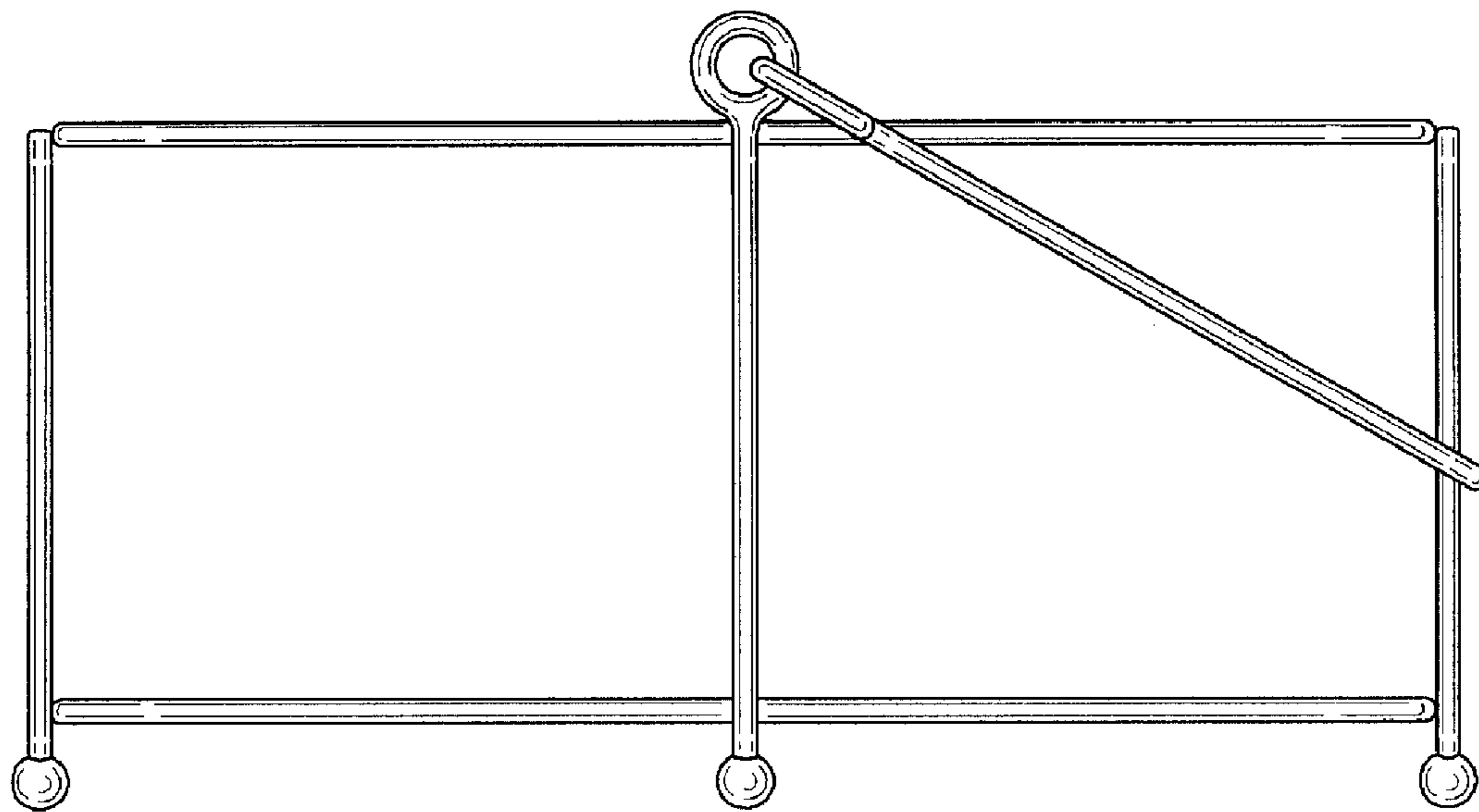


FIG. 20

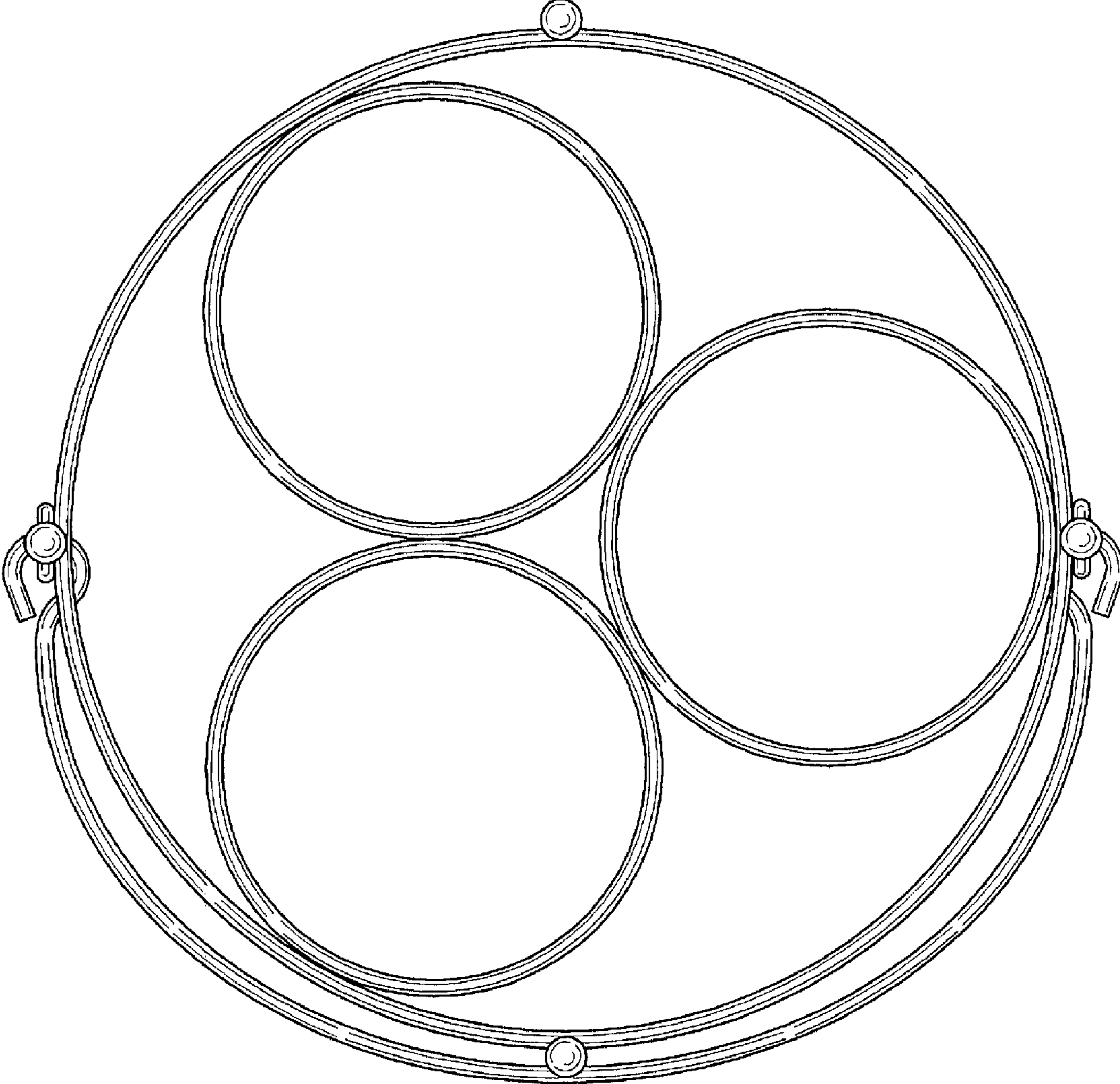


FIG. 21

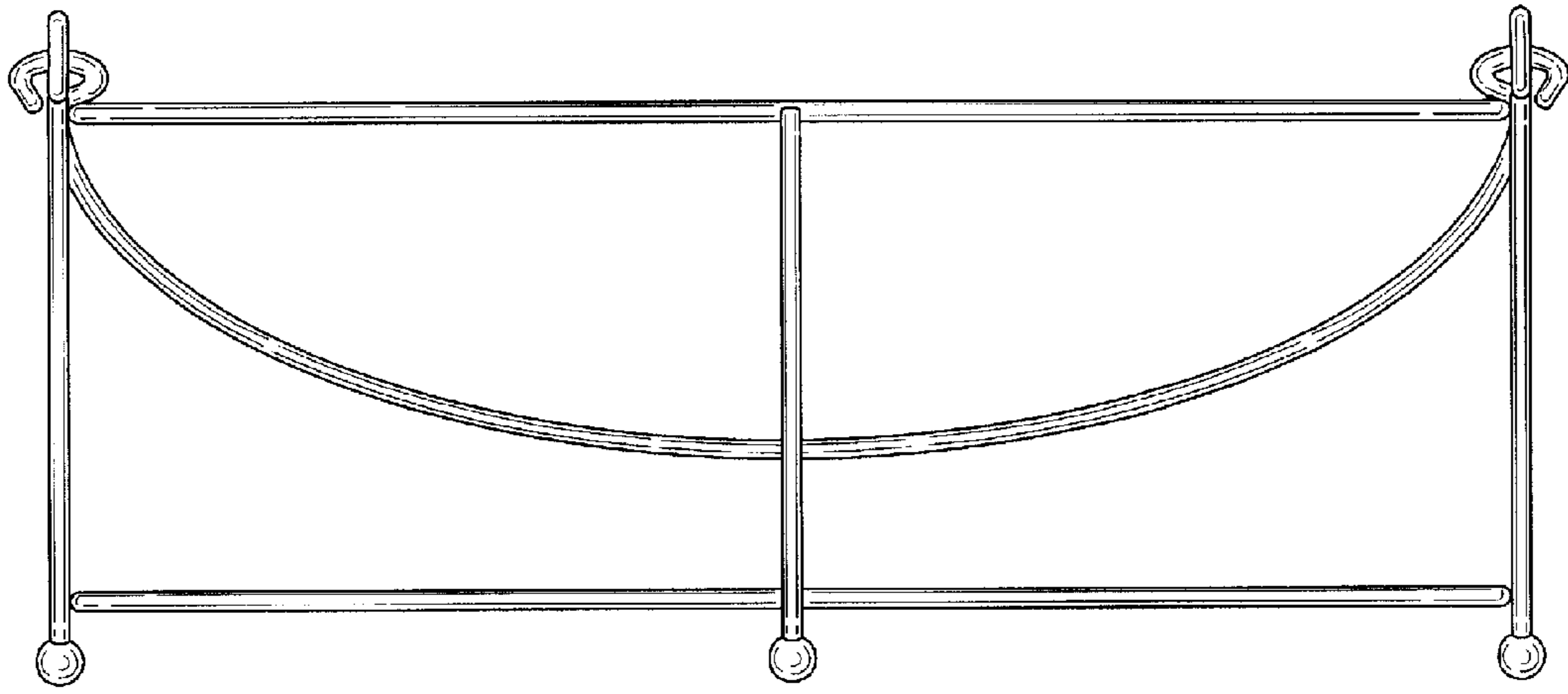


FIG. 22

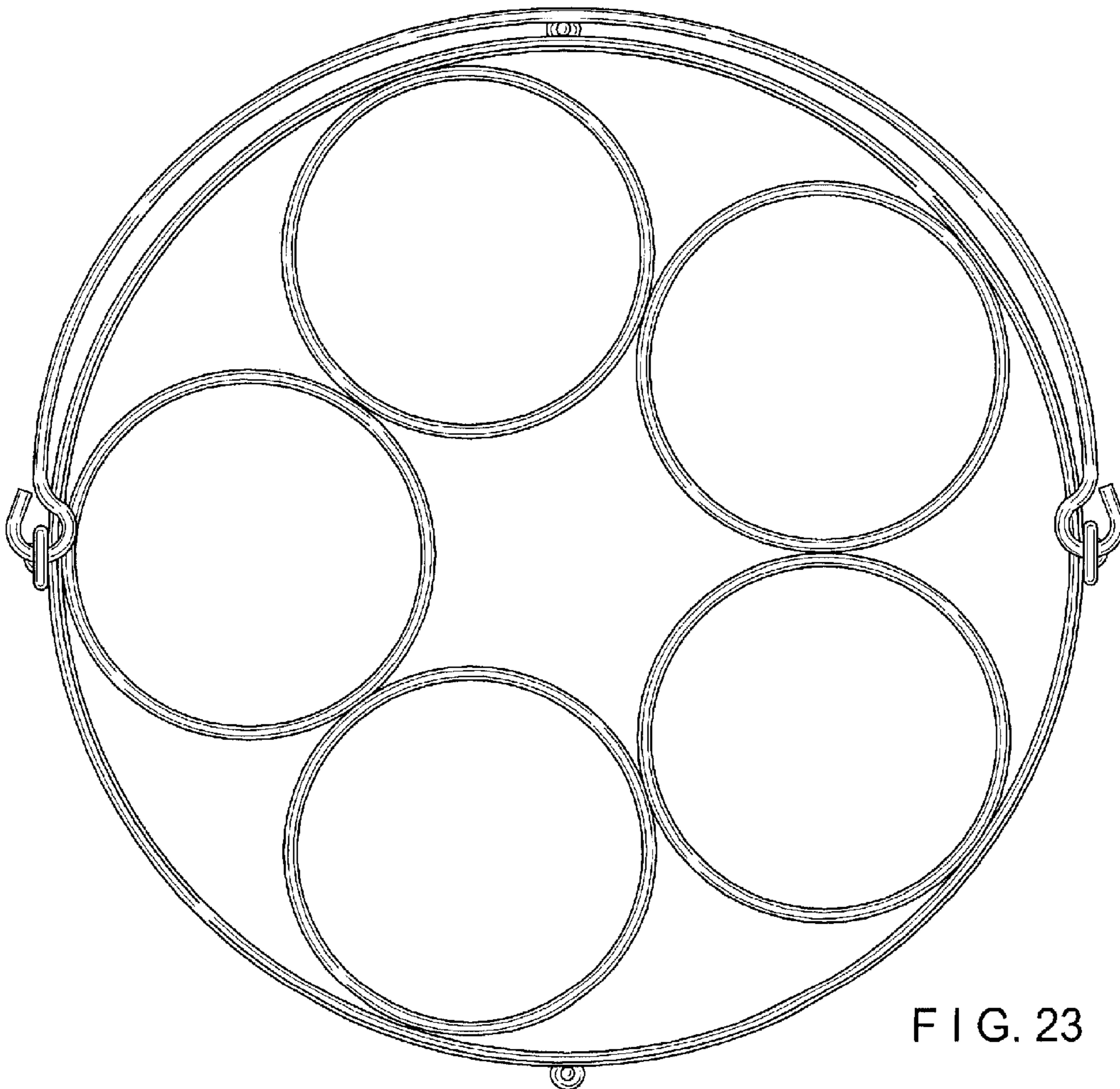


FIG. 23

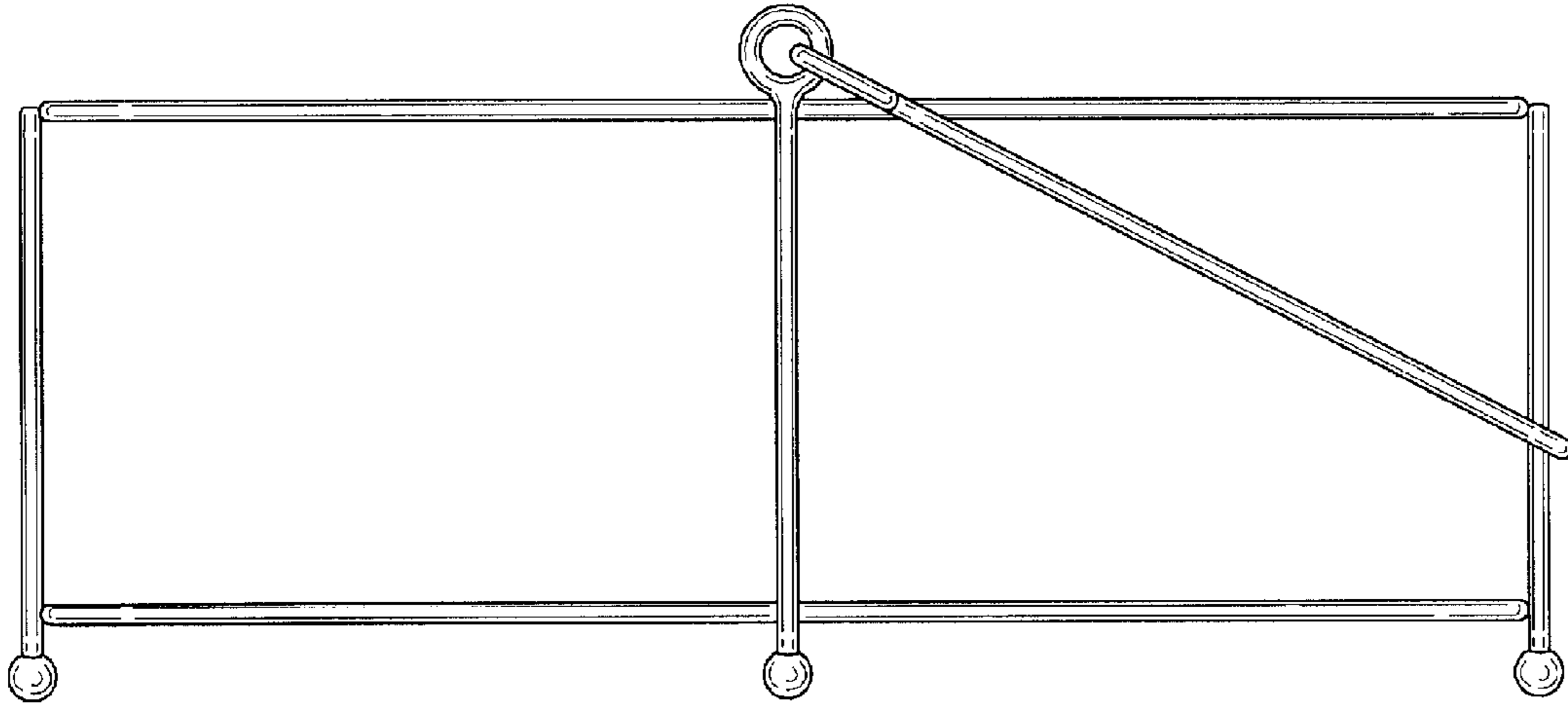


FIG. 24

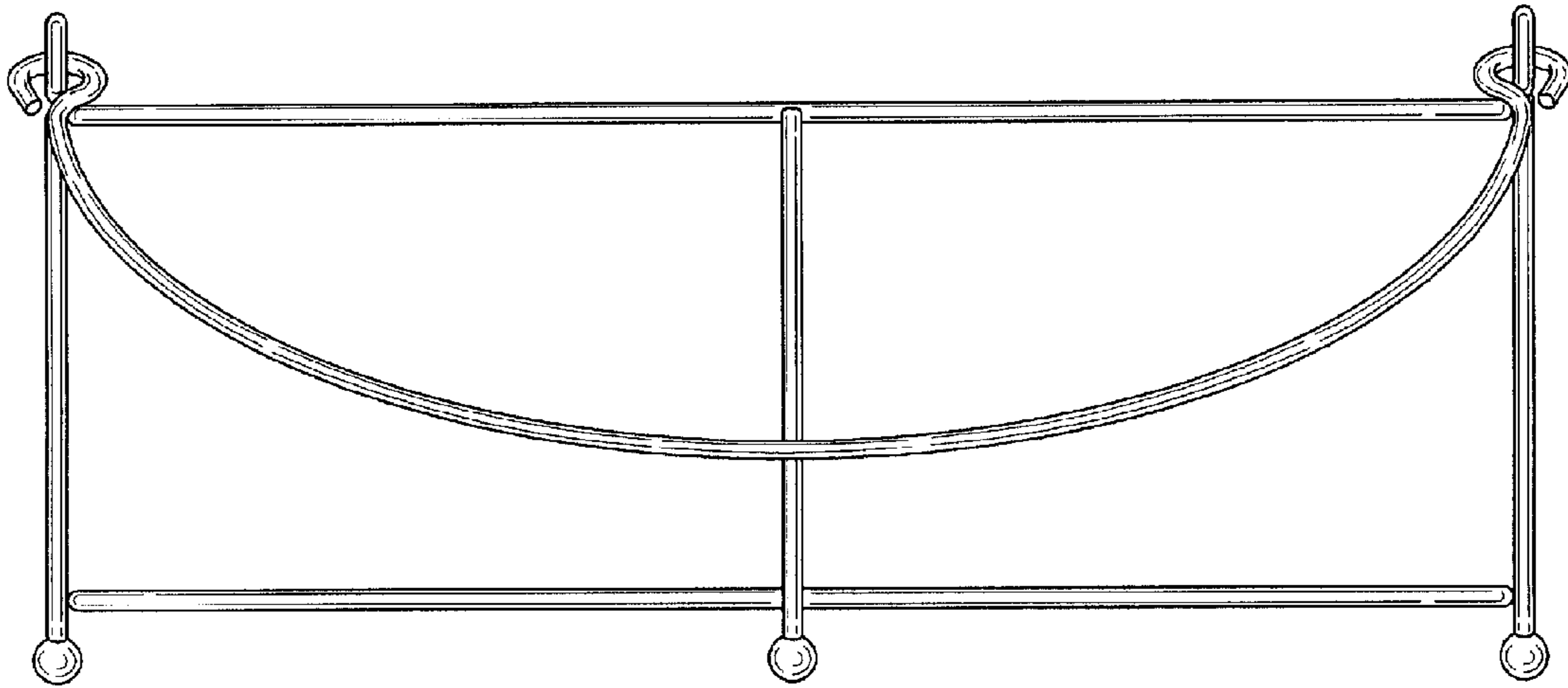


FIG. 25

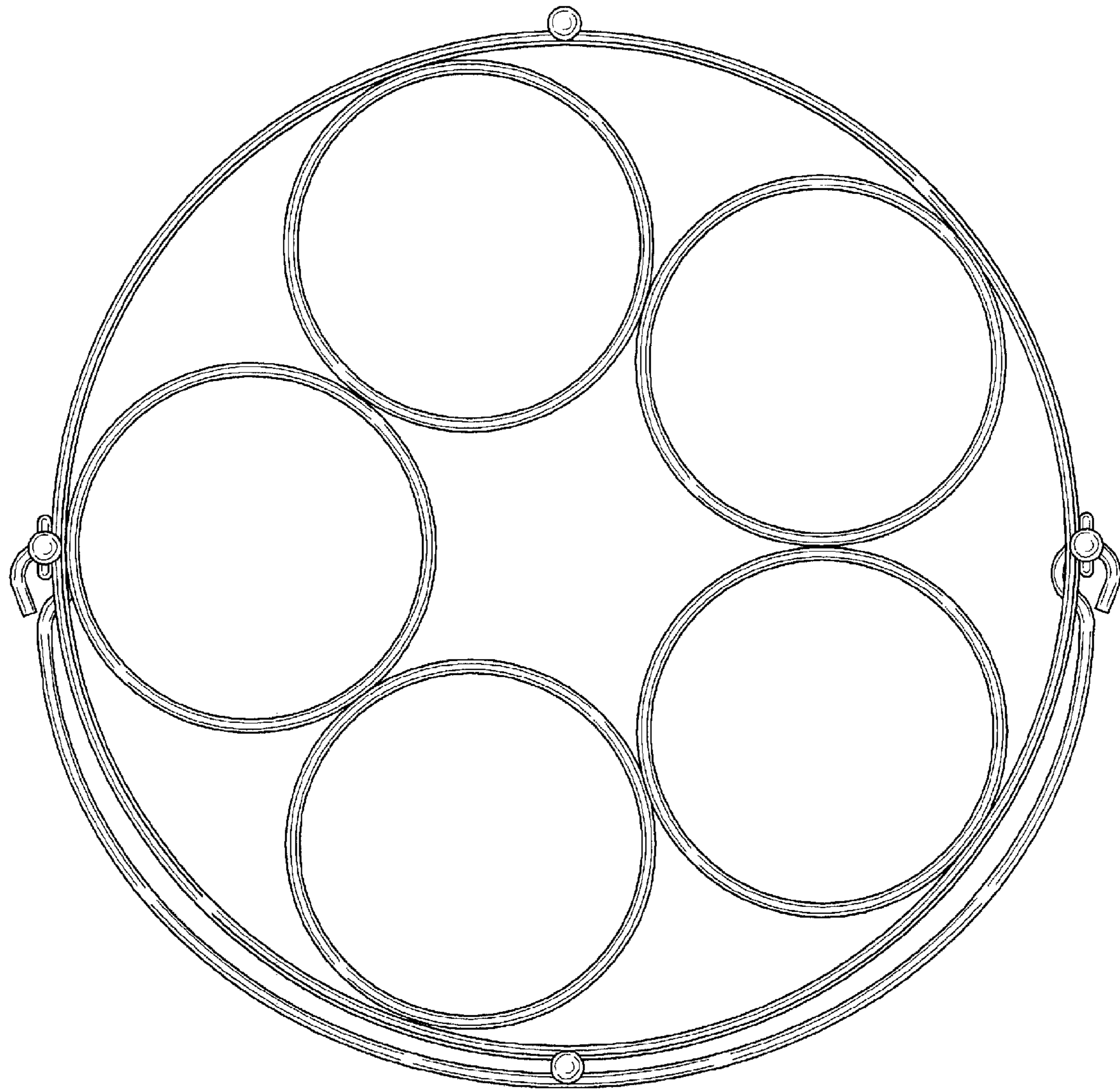


FIG. 26