



US00D588198S

(12) **United States Design Patent**
Yamashita et al.

(10) **Patent No.:** **US D588,198 S**
(45) **Date of Patent:** **** Mar. 10, 2009**

(54) **CRAFT PUNCH**

(75) Inventors: **Ayano Yamashita**, Katsushika-ku (JP);
Naoki Ozawa, Shinagawa-ku (JP);
Hiroyuki Urabe, Katsushika-ku (JP);
Emiko Osawa, Katsushika-ku (JP)

(73) Assignee: **Carl Manufacturing Co., Ltd.**, Tokyo (JP)

(**) Term: **14 Years**

(21) Appl. No.: **29/290,976**

(22) Filed: **Feb. 5, 2008**

(30) **Foreign Application Priority Data**

Aug. 6, 2007 (JP) 2007-021469

(51) **LOC (9) Cl.** **19-06**

(52) **U.S. Cl.** **D19/72**

(58) **Field of Classification Search** D8/98;
D19/72; 83/167, 582, 588, 613, 618, 620,
83/633, 684, 686, 821

See application file for complete search history.

(56) **References Cited**

U.S. PATENT DOCUMENTS

6,428,248 B1 * 8/2002 Lee 407/117
D491,230 S * 6/2004 Lee D19/72
D499,449 S * 12/2004 Chan D19/72

D529,095 S * 9/2006 Tou D19/72
D533,229 S * 12/2006 Tou D19/72
D548,033 S * 8/2007 Russo et al. D8/51
2004/0129124 A1 * 7/2004 Chan 83/588
2005/0039590 A1 * 2/2005 Weng 83/684
2005/0235797 A1 * 10/2005 Takada 83/684

* cited by examiner

Primary Examiner—Elizabeth A Albert

(74) *Attorney, Agent, or Firm*—Oliff & Berridge PLC

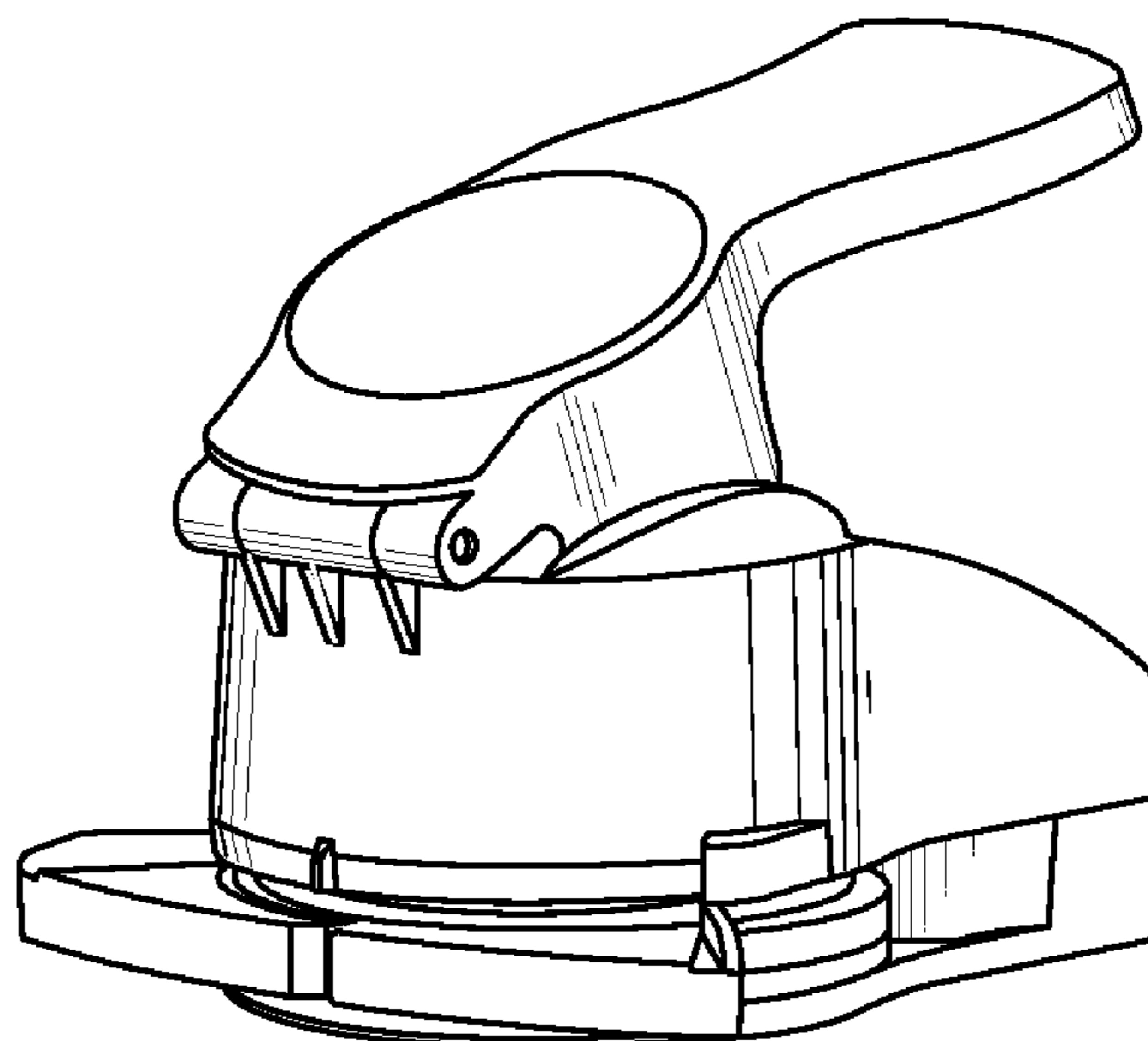
(57) **CLAIM**

The ornamental design for a craft punch, as shown and described.

DESCRIPTION

FIG. 1 is a front view of a craft punch;
FIG. 2 is a rear view thereof;
FIG. 3 is a right-side view thereof;
FIG. 4 is a left-side view thereof;
FIG. 5 is a top view thereof;
FIG. 6 is a bottom view thereof;
FIG. 7 is a front perspective view thereof;
FIG. 8 is a rear perspective view thereof; and,
FIG. 9 is another front perspective view thereof showing the positioning members rotated in an alternative position.

1 Claim, 5 Drawing Sheets



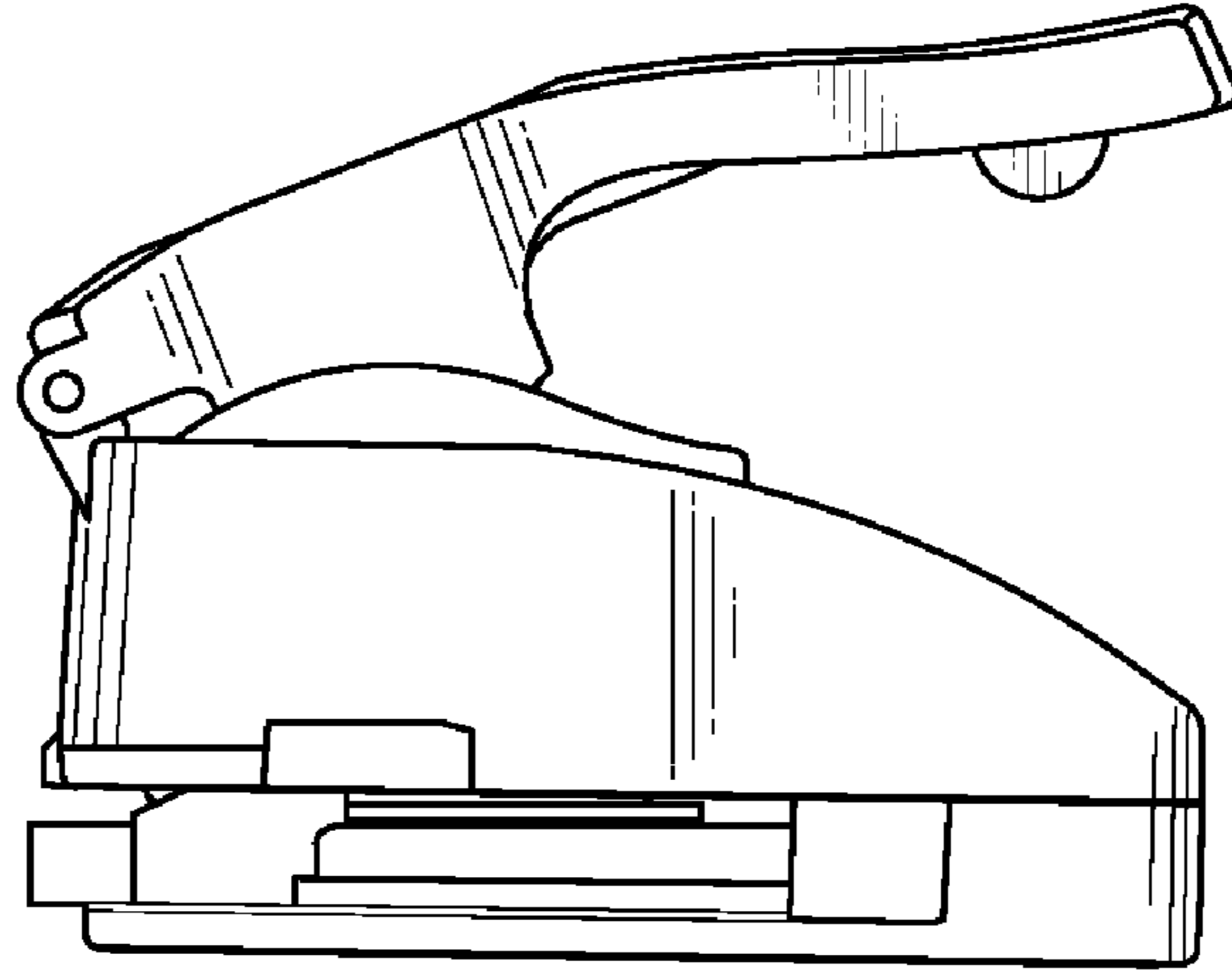


FIG. 1

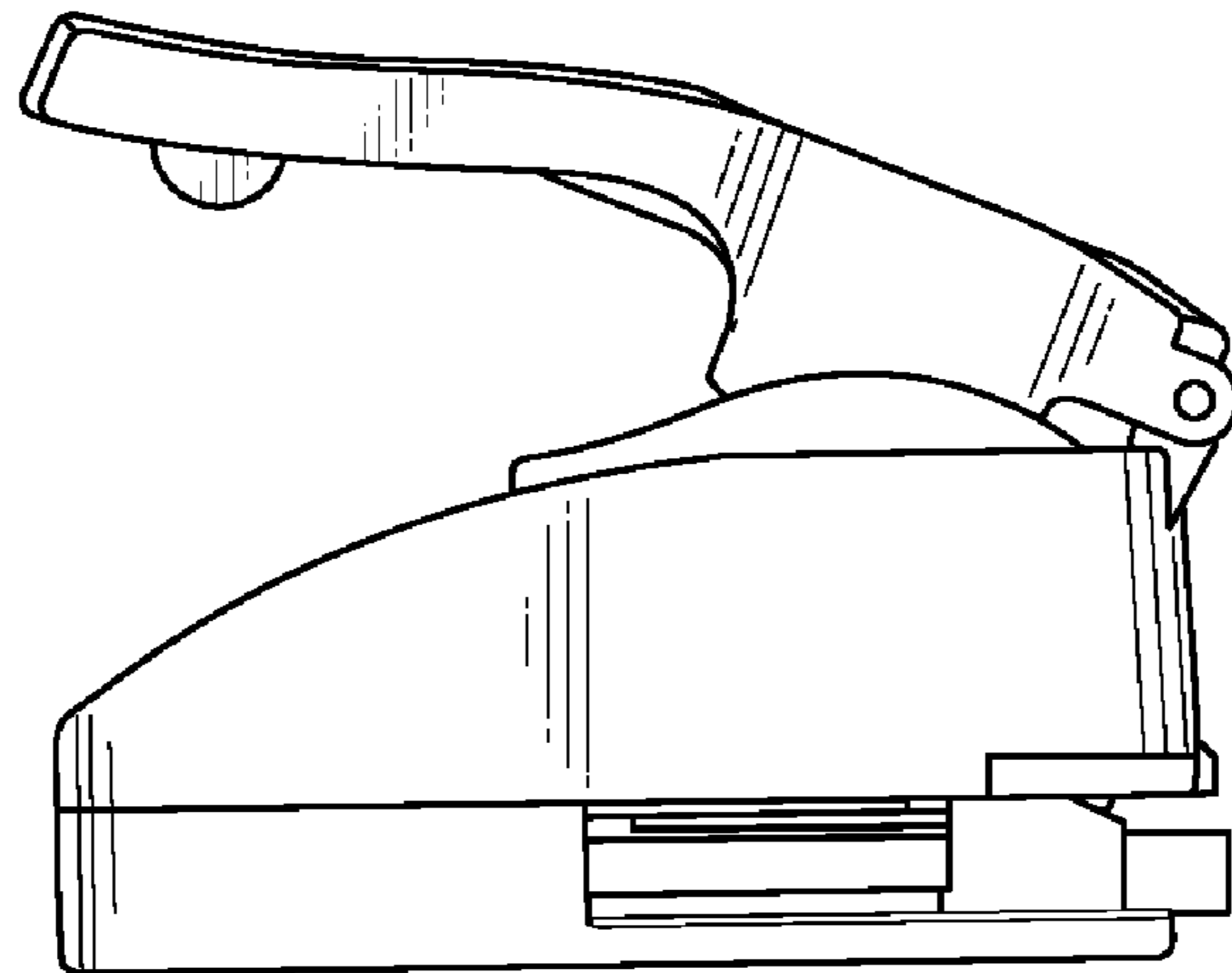


FIG. 2

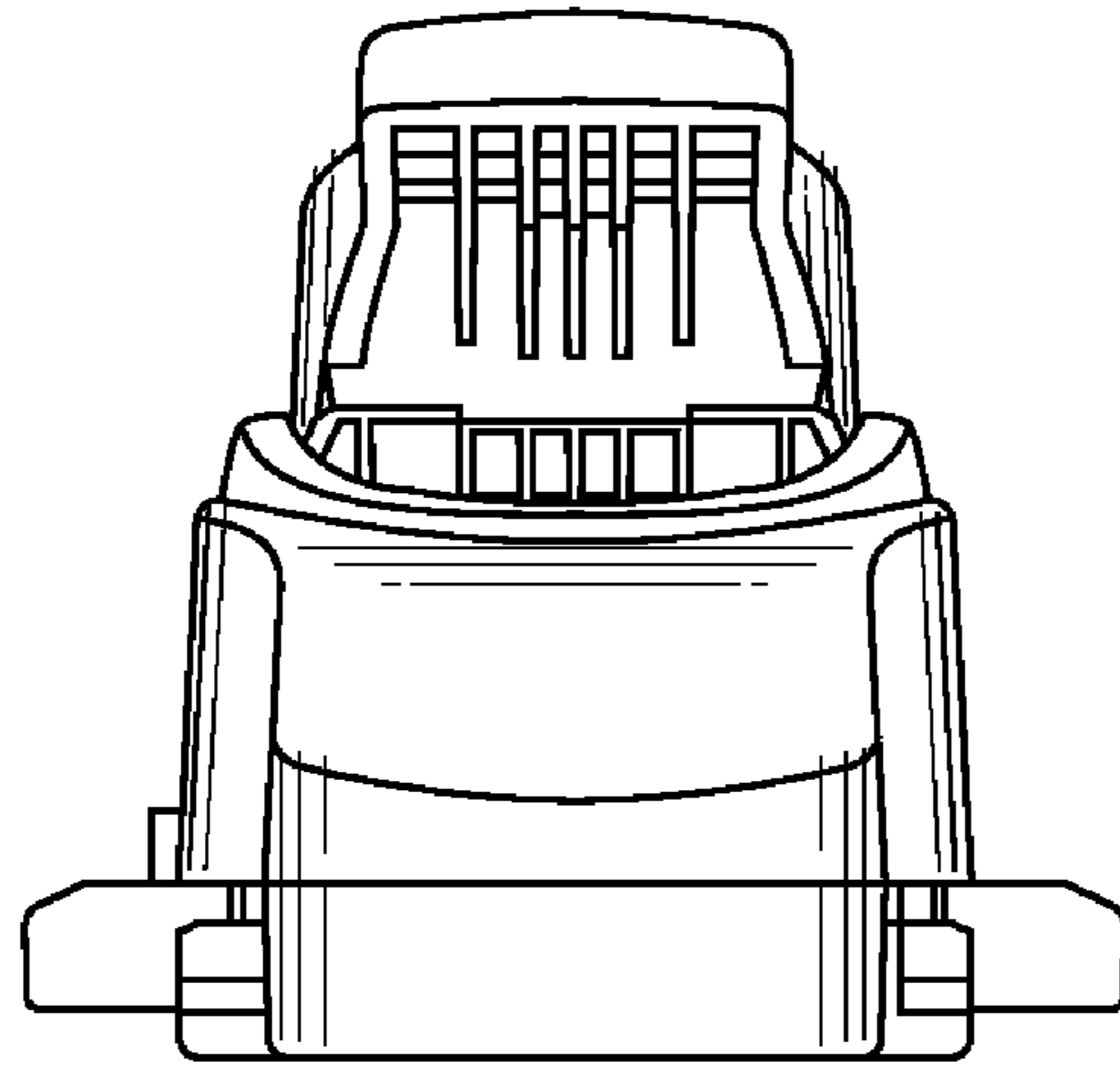


FIG. 3

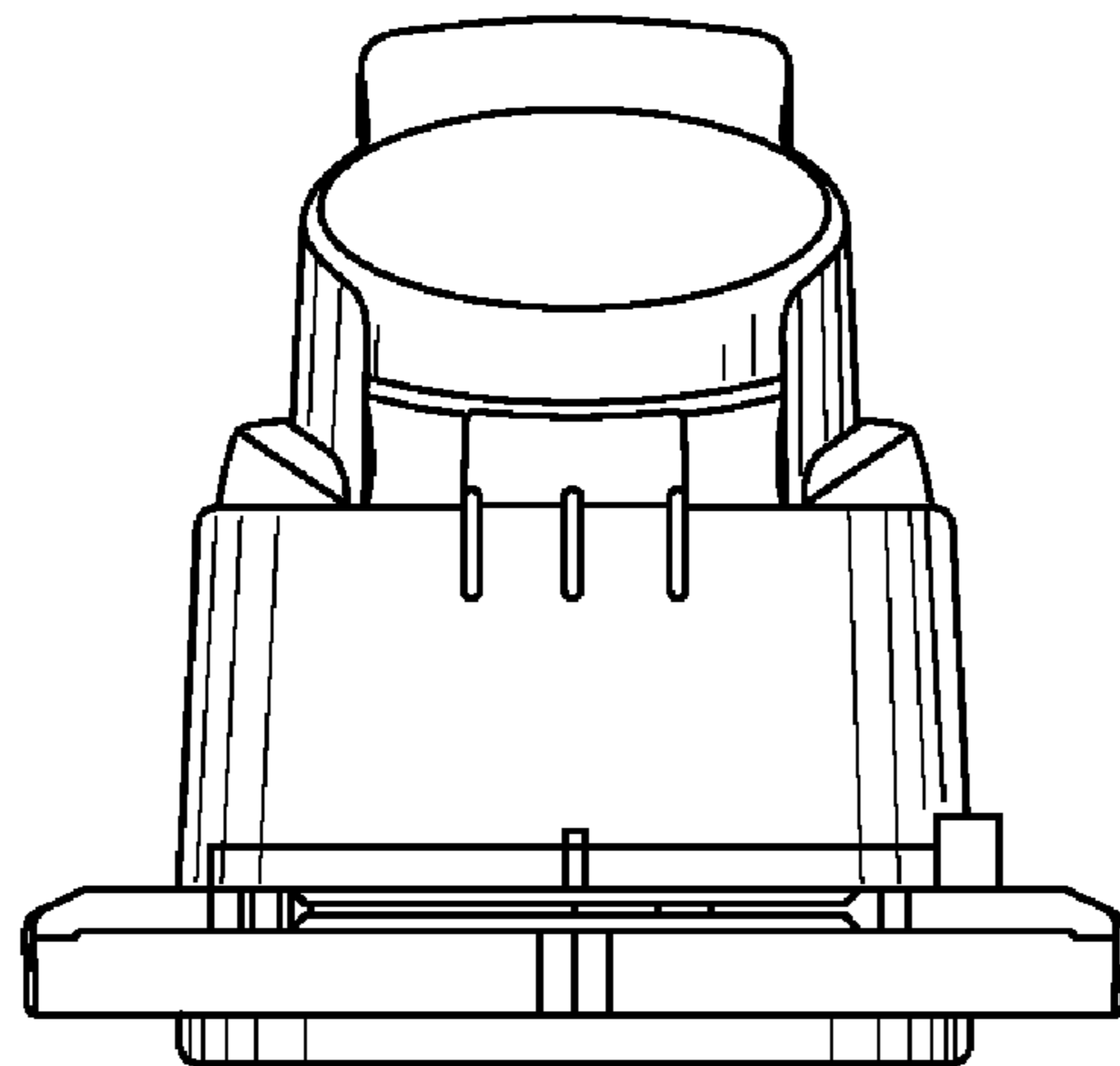


FIG. 4

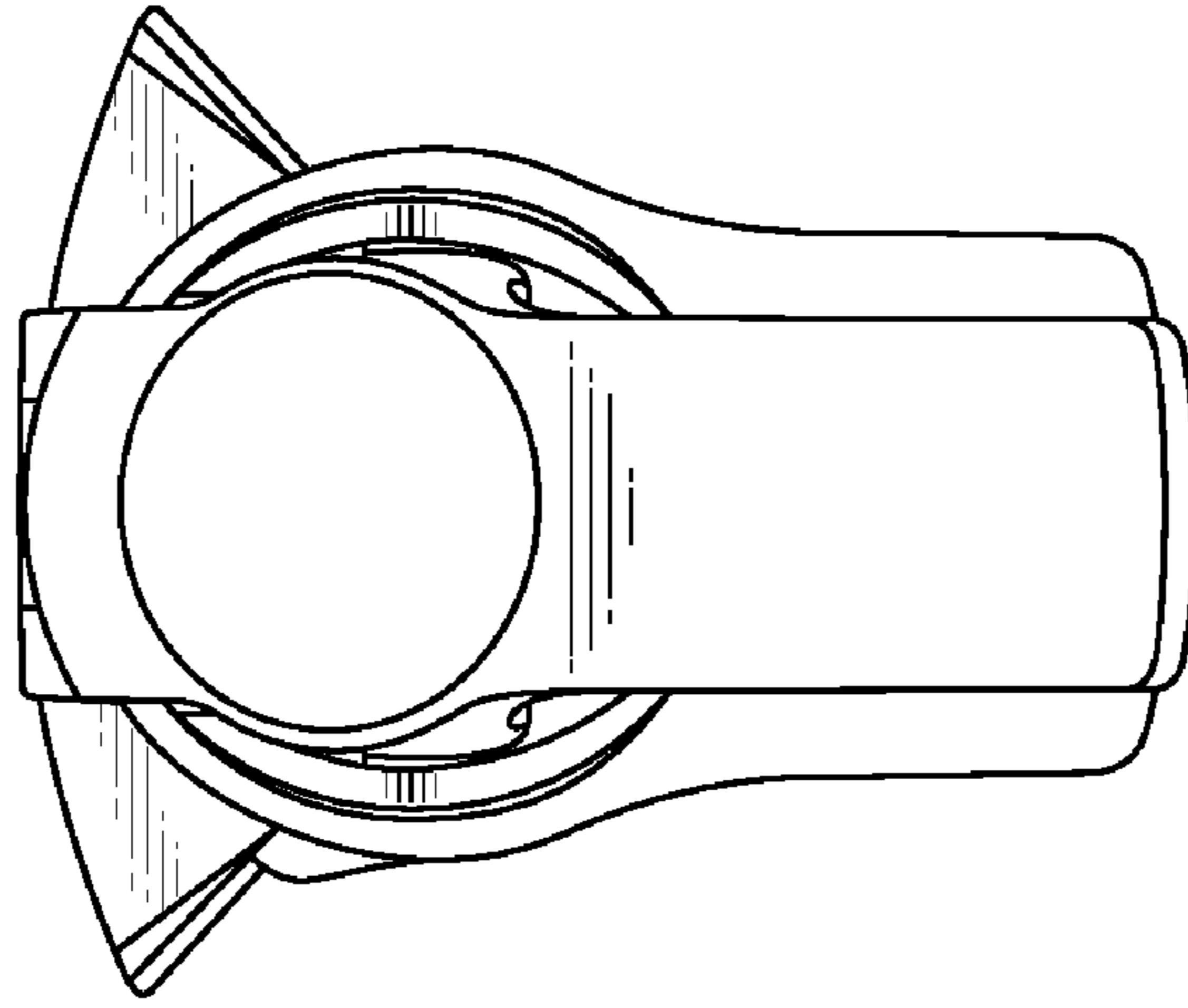


FIG. 5

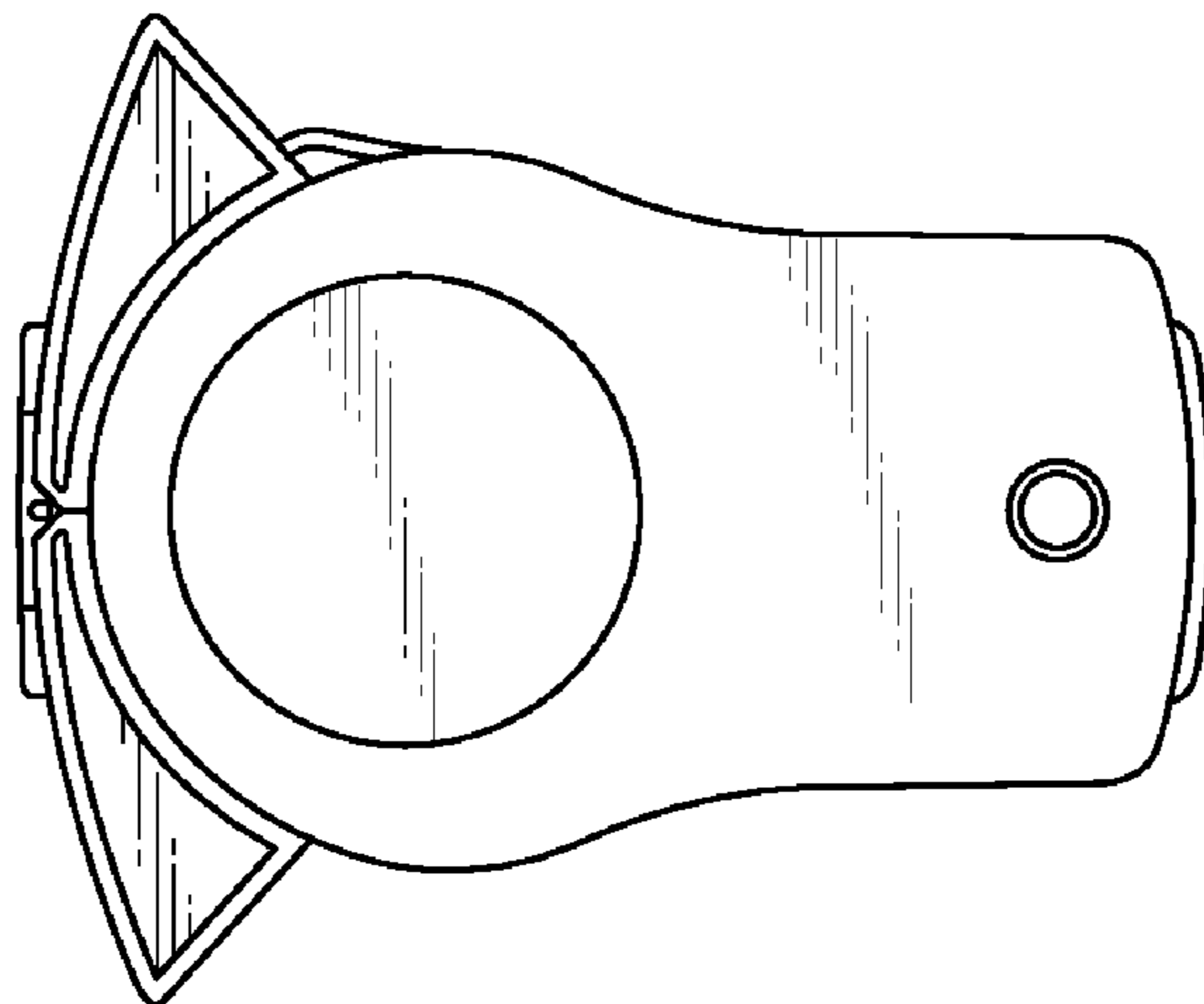


FIG. 6

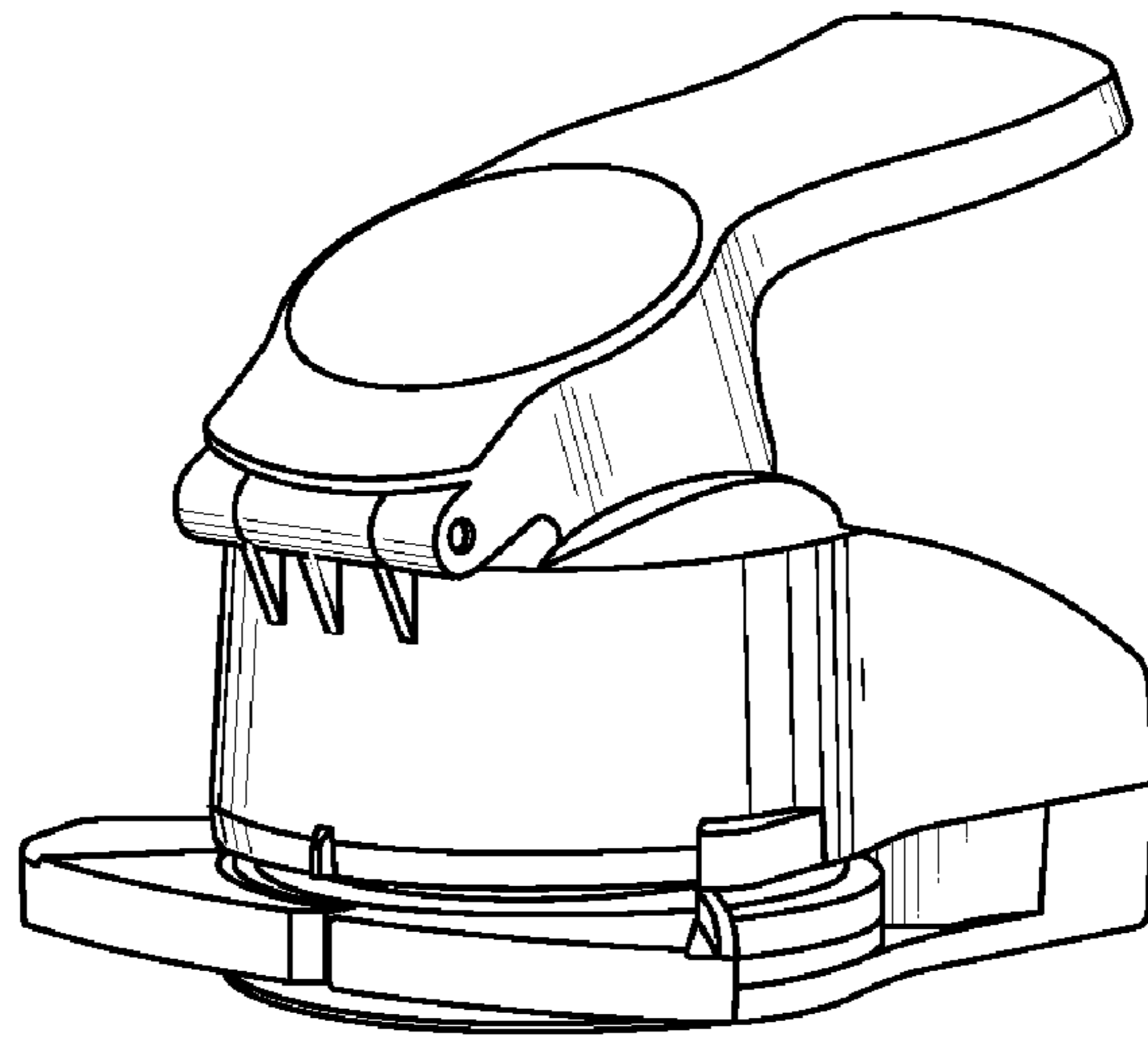


FIG. 7

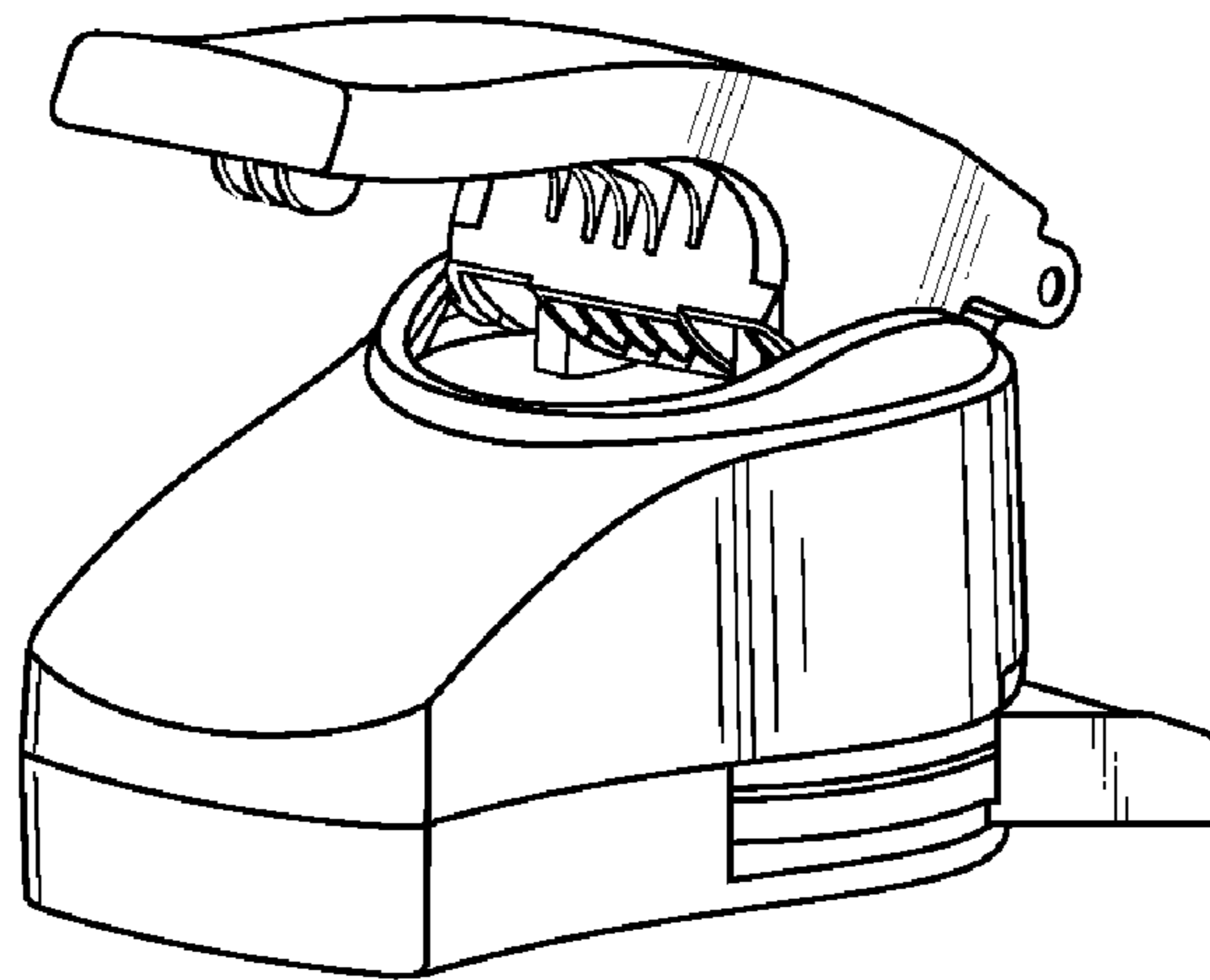


FIG. 8

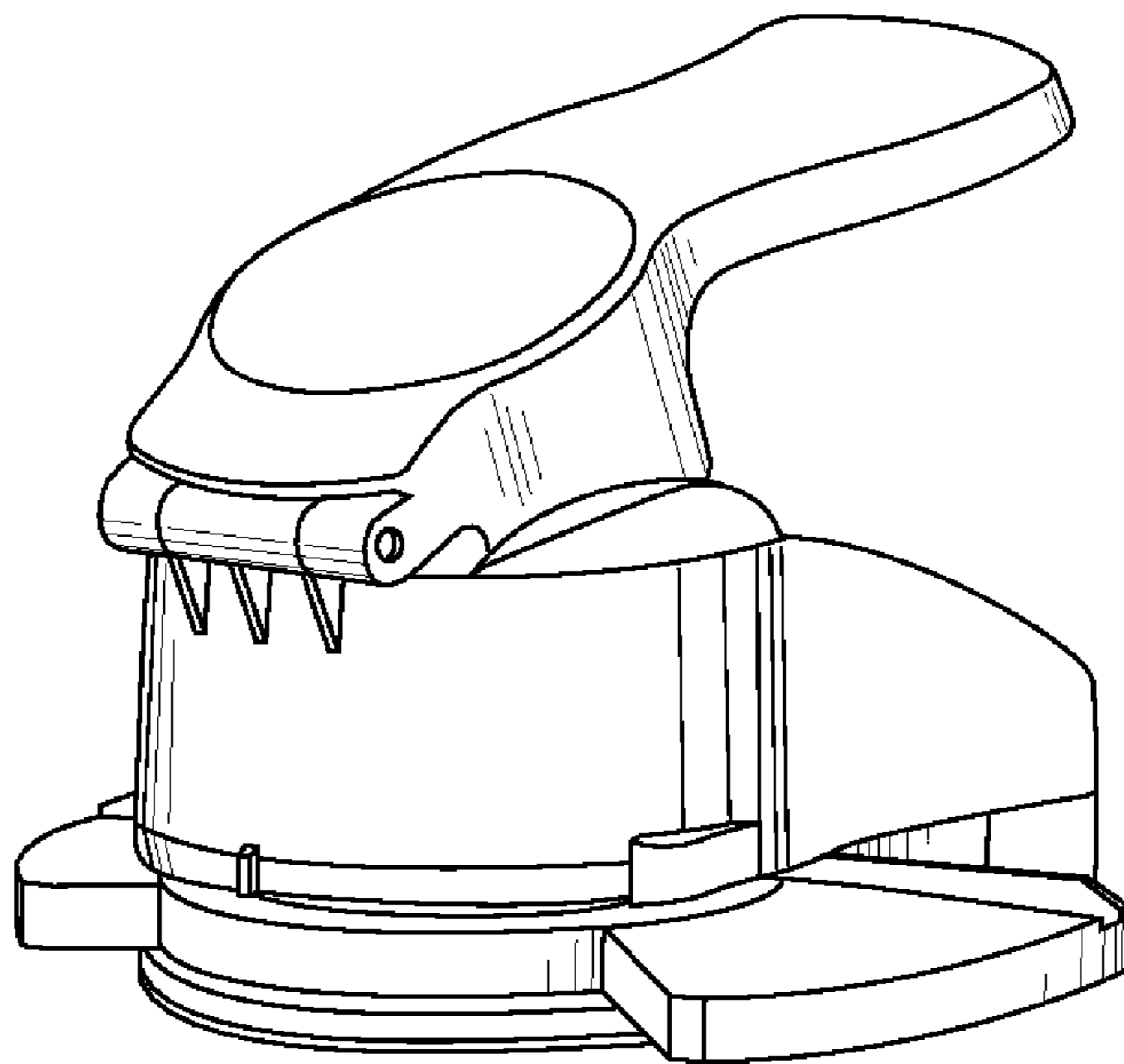


FIG. 9