



US00D588193S

(12) **United States Design Patent**
Sulser et al.

(10) **Patent No.:** **US D588,193 S**
(45) **Date of Patent:** **** Mar. 10, 2009**

(54) **ACCESSORY FOR INK-JET PRINTER
CARTRIDGES**

(75) Inventors: **Daniel Sulser**, Wald (CH); **Roland
Steiner**, Eschenbach (CH)

(73) Assignee: **Pelikan Hardcopy Production AG**
(CH)

(**) Term: **14 Years**

(21) Appl. No.: **29/280,960**

(22) Filed: **Jun. 11, 2007**

(30) **Foreign Application Priority Data**

Dec. 12, 2006 (EM) 000635644

(51) **LOC (9) Cl.** **18-02**

(52) **U.S. Cl.** **D18/56**

(58) **Field of Classification Search** D18/56;
347/84-87; 141/18, 375

See application file for complete search history.

(56) **References Cited**

U.S. PATENT DOCUMENTS

5,531,055	A *	7/1996	Sell et al.	347/85
5,581,287	A *	12/1996	Baezner et al.	141/18
5,595,223	A *	1/1997	Hayao	141/375
5,621,445	A *	4/1997	Fong et al.	347/87
D396,880	S *	8/1998	Wong et al.	D18/56
5,838,352	A *	11/1998	Martinez	347/87
5,845,682	A *	12/1998	Hayao	141/18
5,966,156	A *	10/1999	Scheffelin et al.	347/86

D422,632	S *	4/2000	Chung et al.	D18/56
D423,564	S *	4/2000	Canfield et al.	D18/56
D430,600	S *	9/2000	Murcia et al.	D18/56
D473,895	S *	4/2003	Yan	D18/56
D473,896	S *	4/2003	Yan	D18/56
6,619,344	B2 *	9/2003	Schonfelder et al.	141/375
6,799,610	B2 *	10/2004	Yuen	141/18
6,971,740	B2 *	12/2005	Yuen	347/85
7,300,138	B2 *	11/2007	Corner et al.	347/84
7,325,909	B2 *	2/2008	Yuen	347/85

* cited by examiner

Primary Examiner—Cathy Anne MacCormac

(74) *Attorney, Agent, or Firm*—Michael Best & Friedrich
LLP

(57) **CLAIM**

We claim the ornamental design for the accessory for ink-jet
printer cartridges, as shown and described.

DESCRIPTION

FIG. 1 is a front view of an accessory for ink-jet printer
cartridges embodying the present invention;

FIG. 2 is a left side view thereof;

FIG. 3 is a rear view thereof;

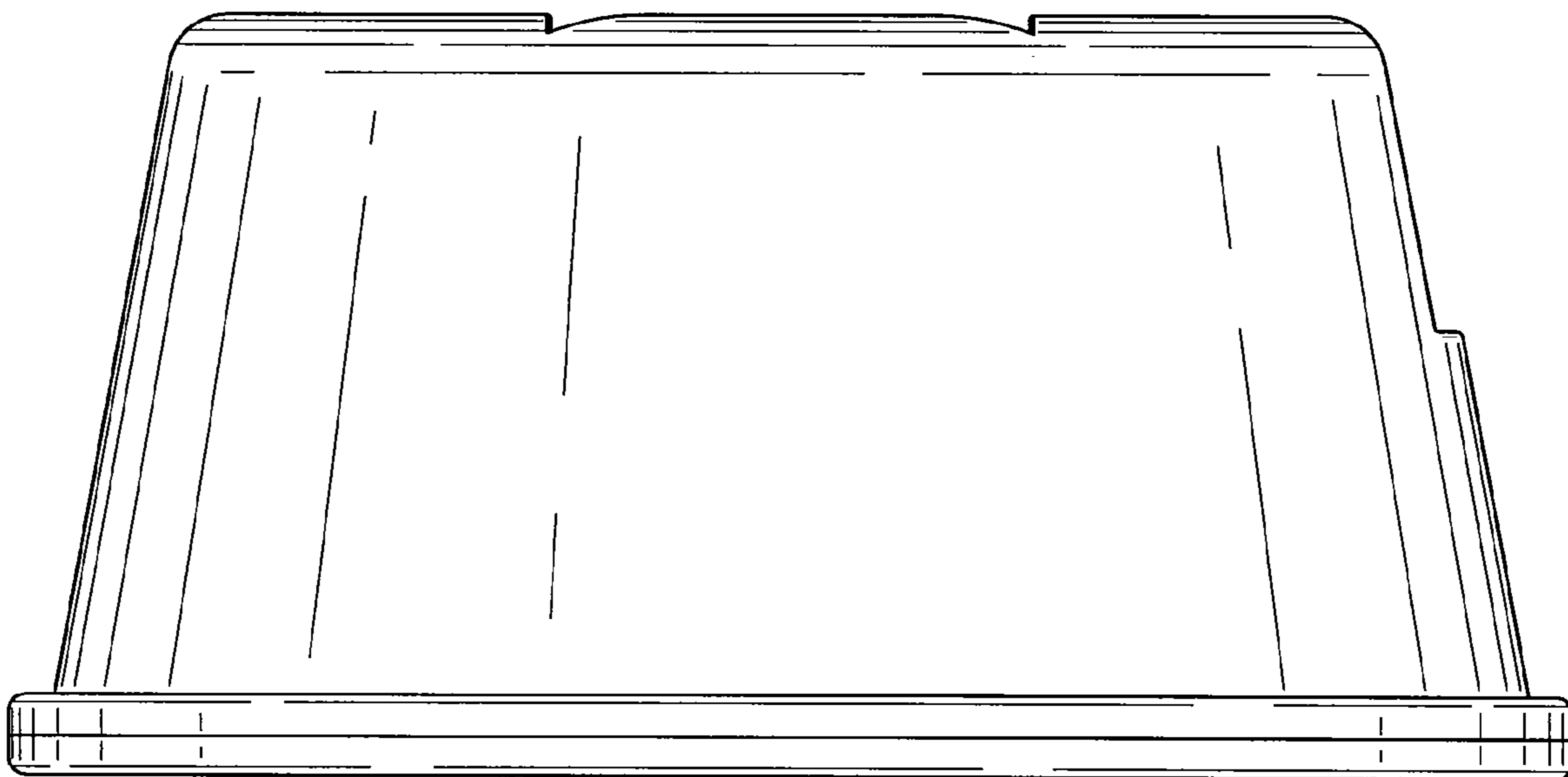
FIG. 4 is a right side view opposite the first side view thereof;

FIG. 5 is a top view thereof;

FIG. 6 is a bottom view thereof; and,

FIG. 7 is a perspective view thereof.

1 Claim, 7 Drawing Sheets



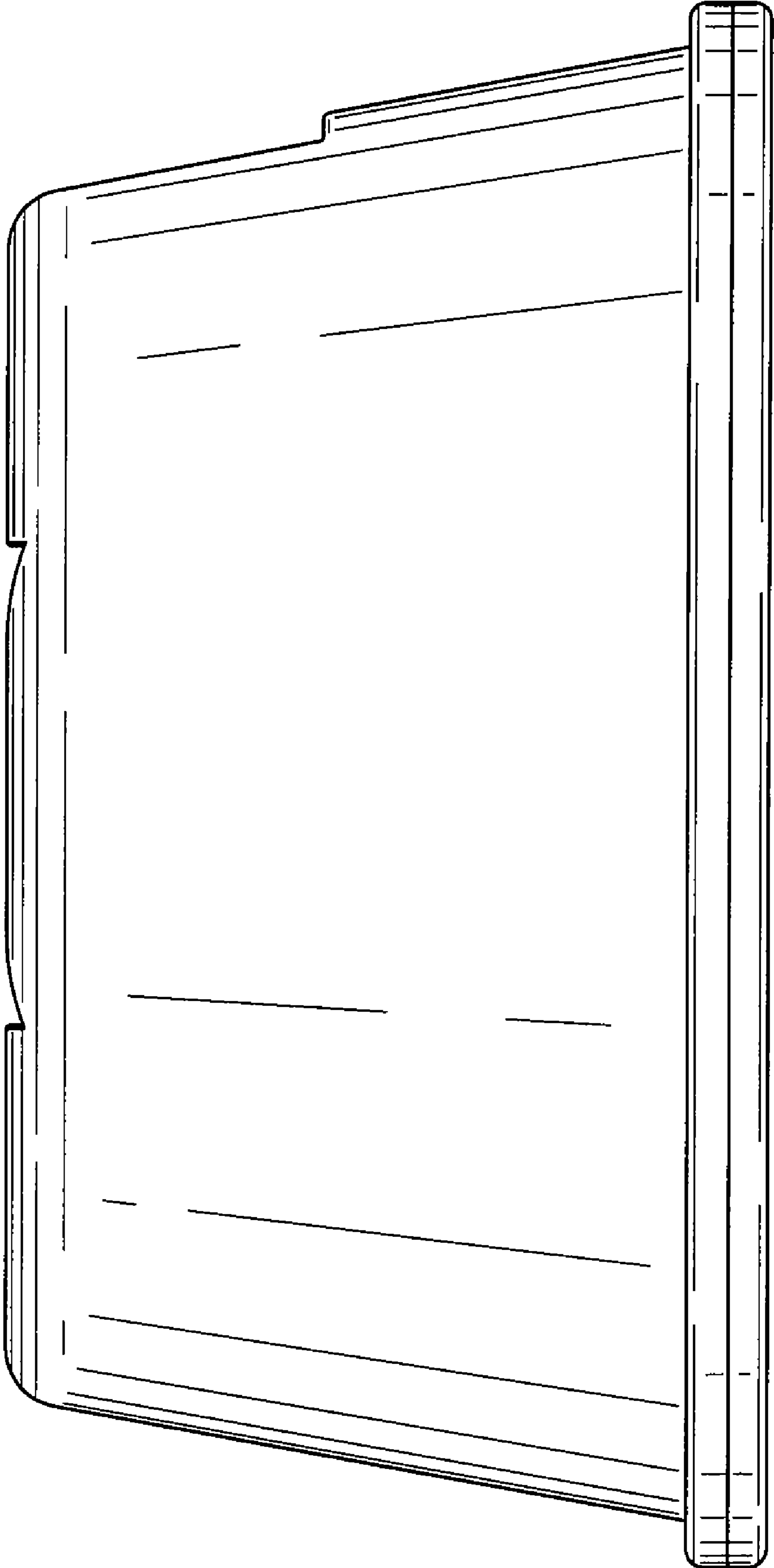


FIG. 1

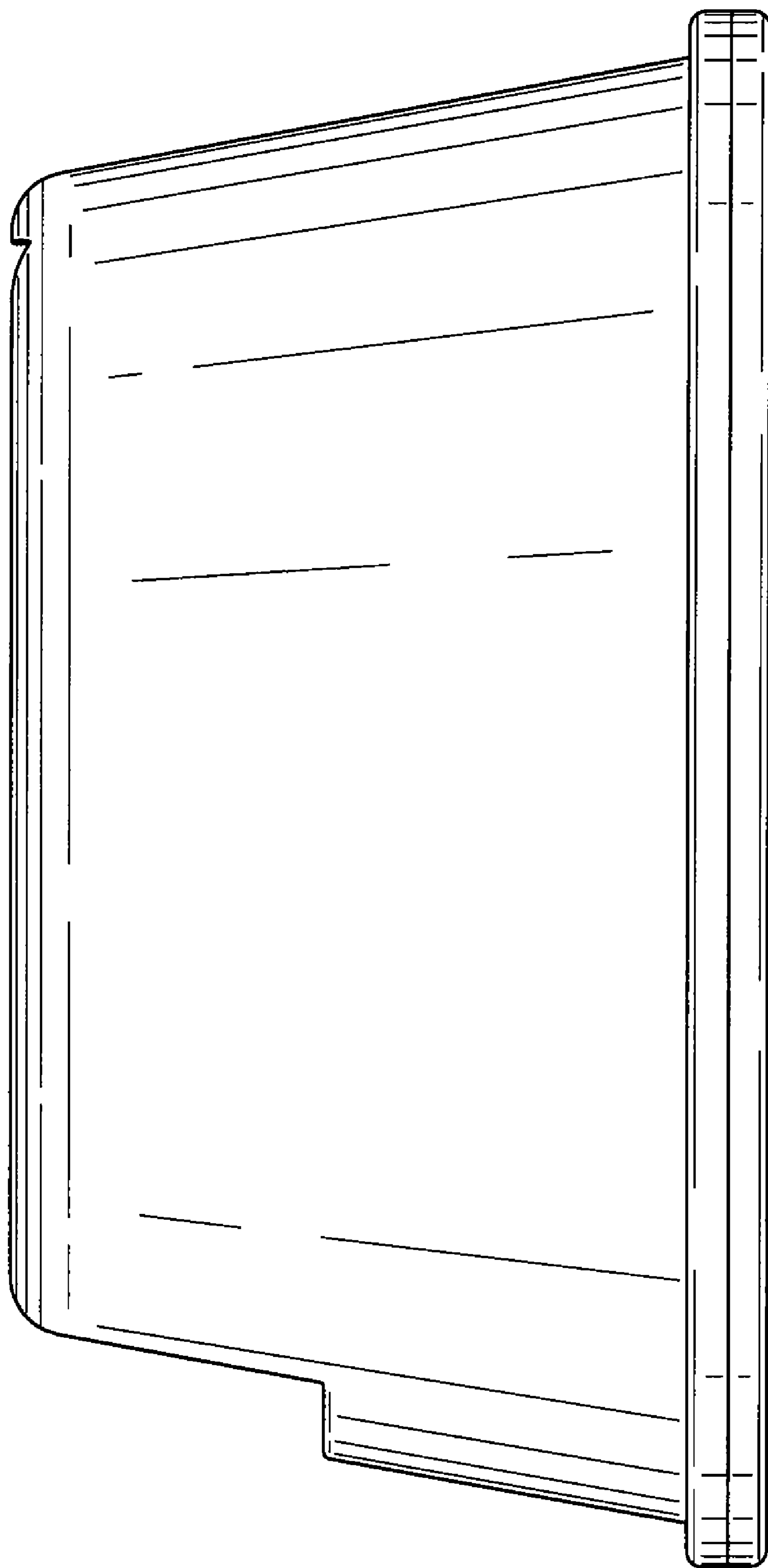


FIG. 2

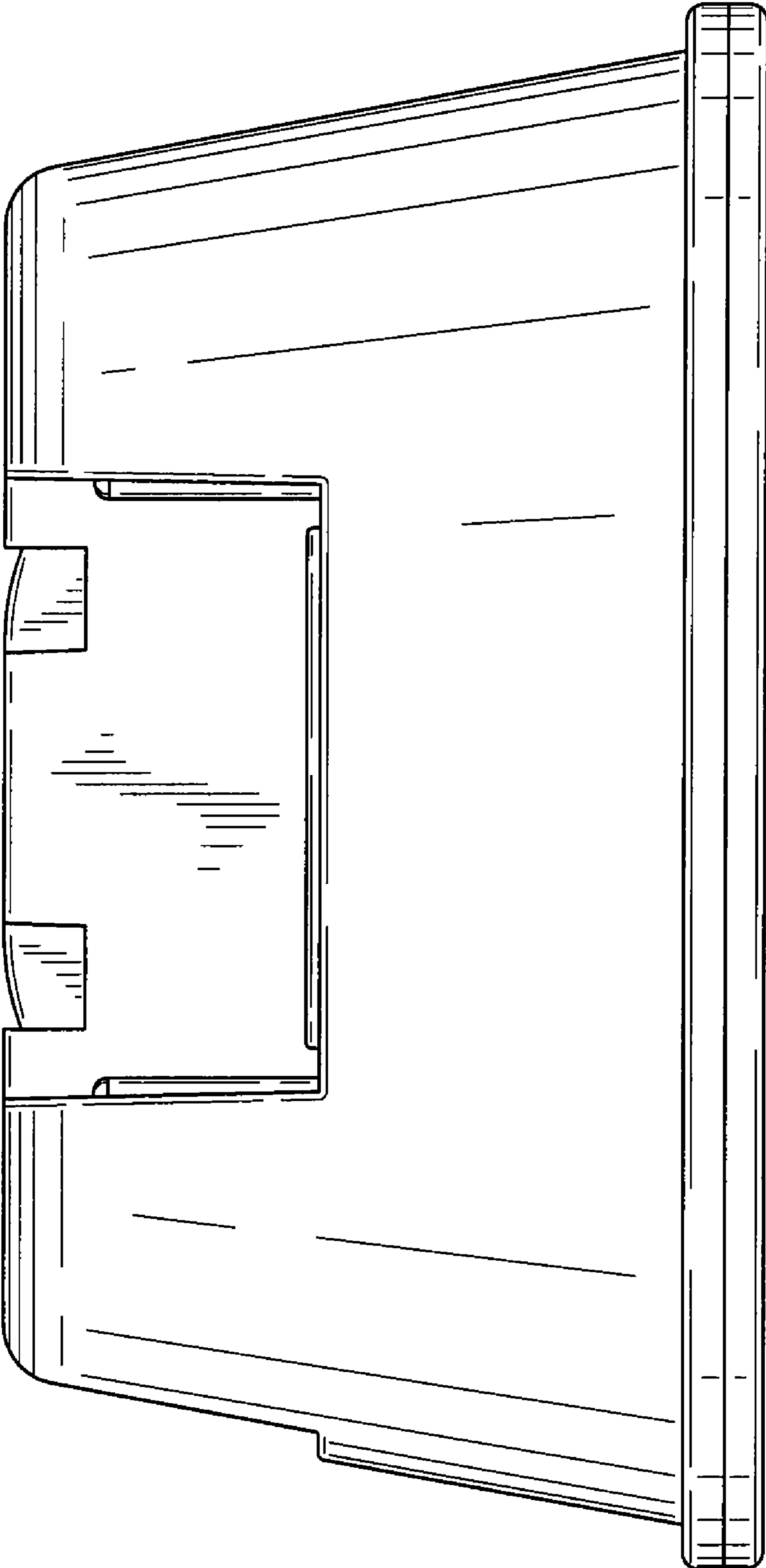


FIG. 3

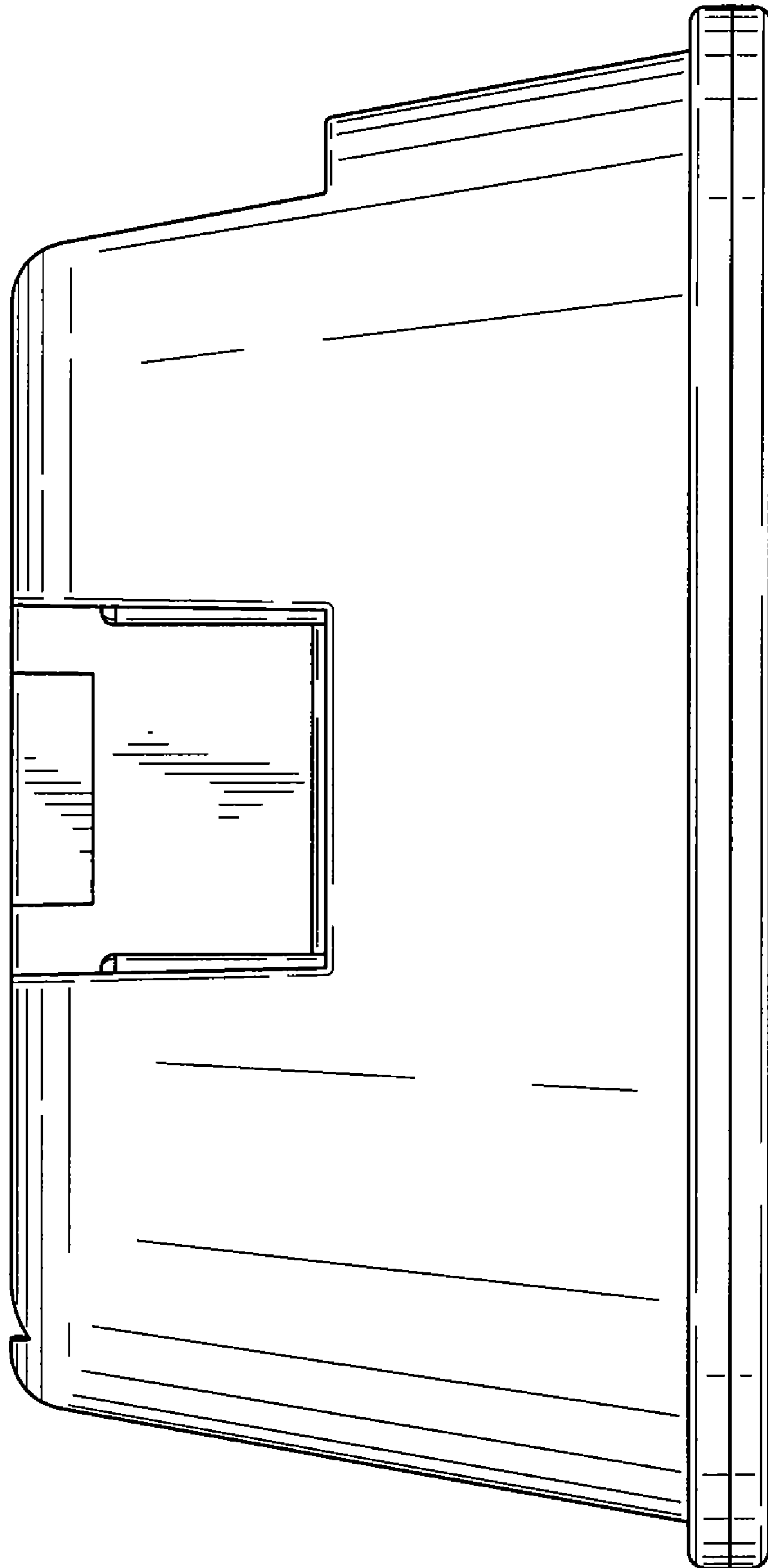


FIG. 4

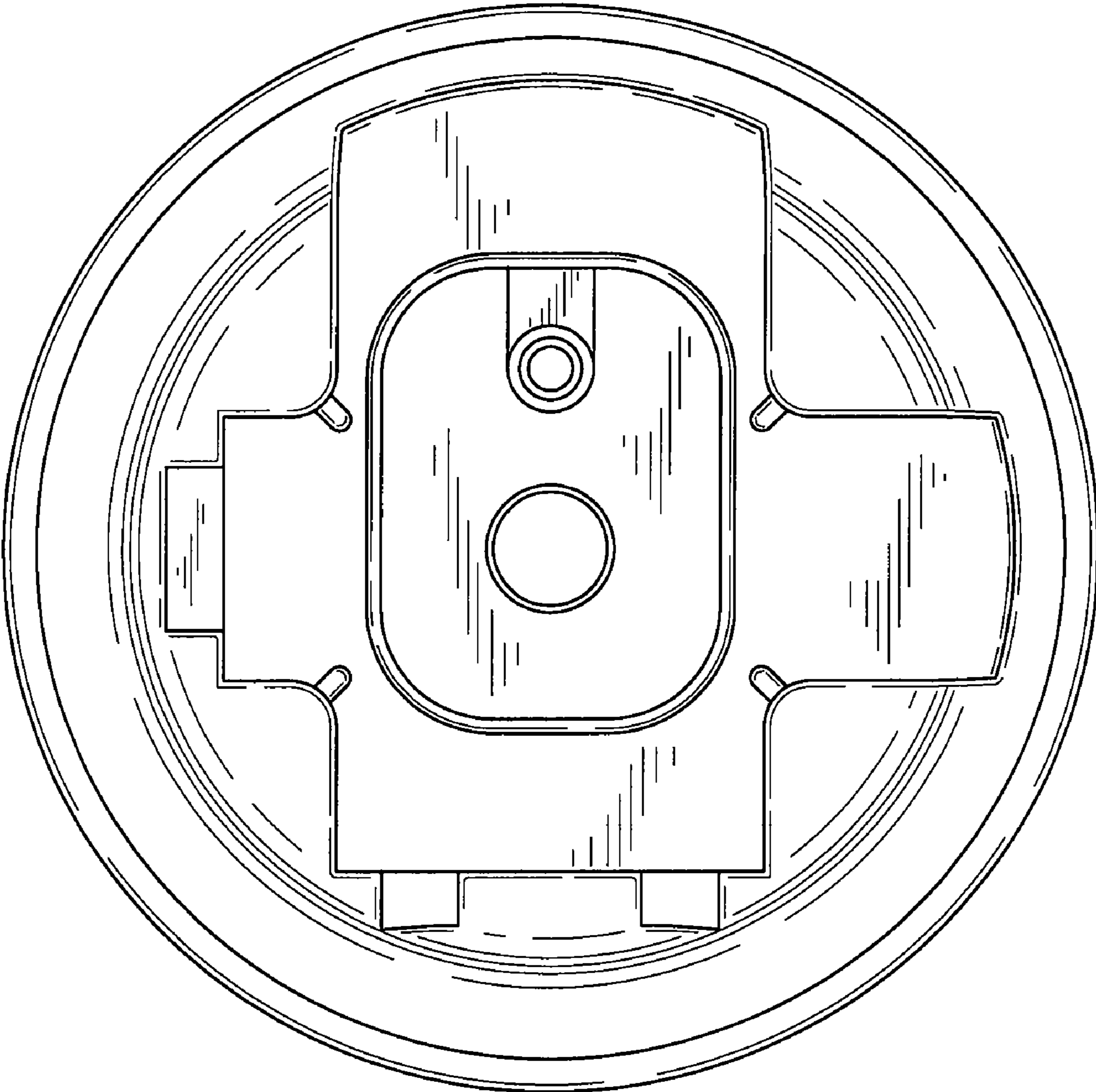


FIG. 5

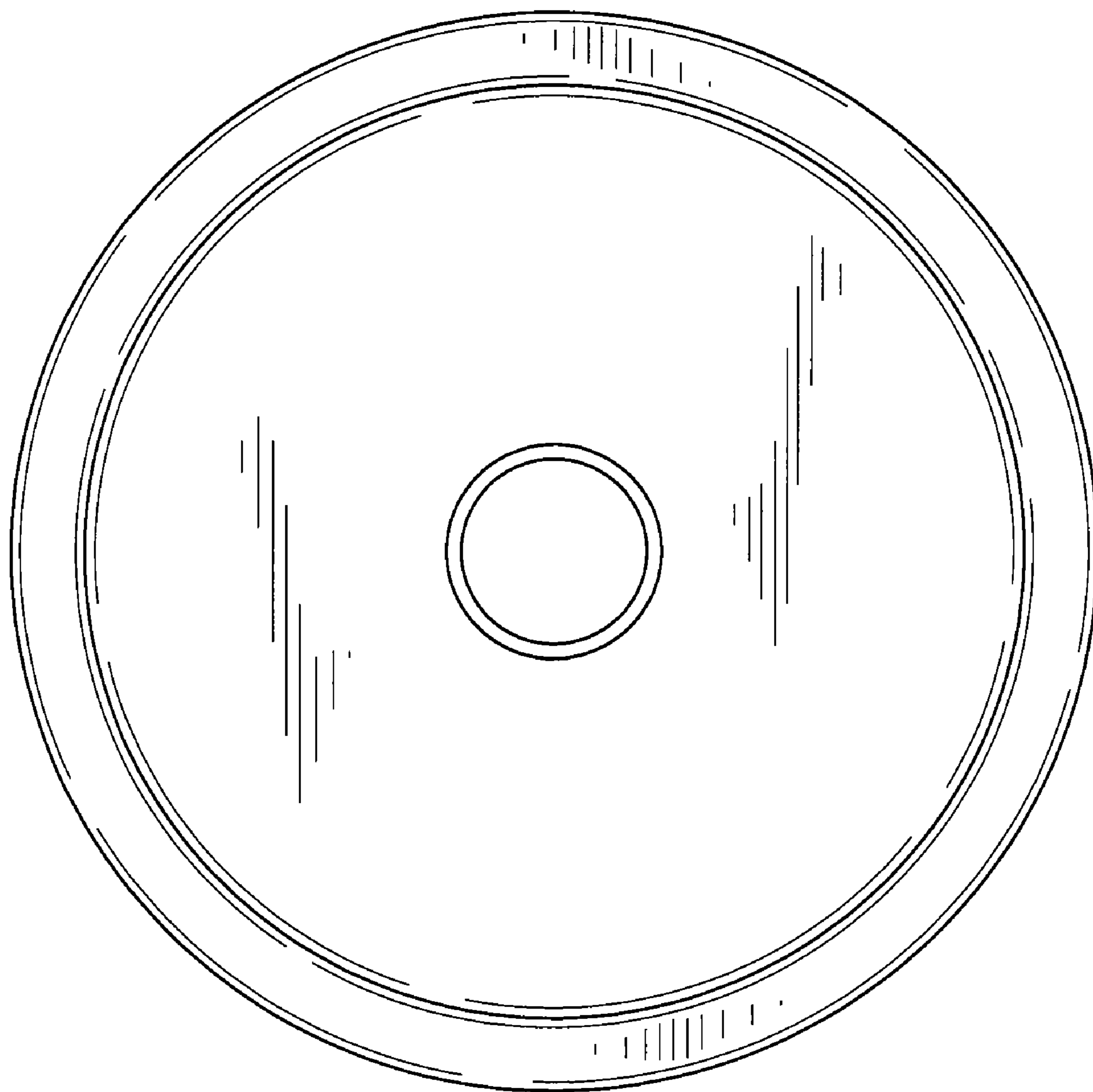


FIG. 6

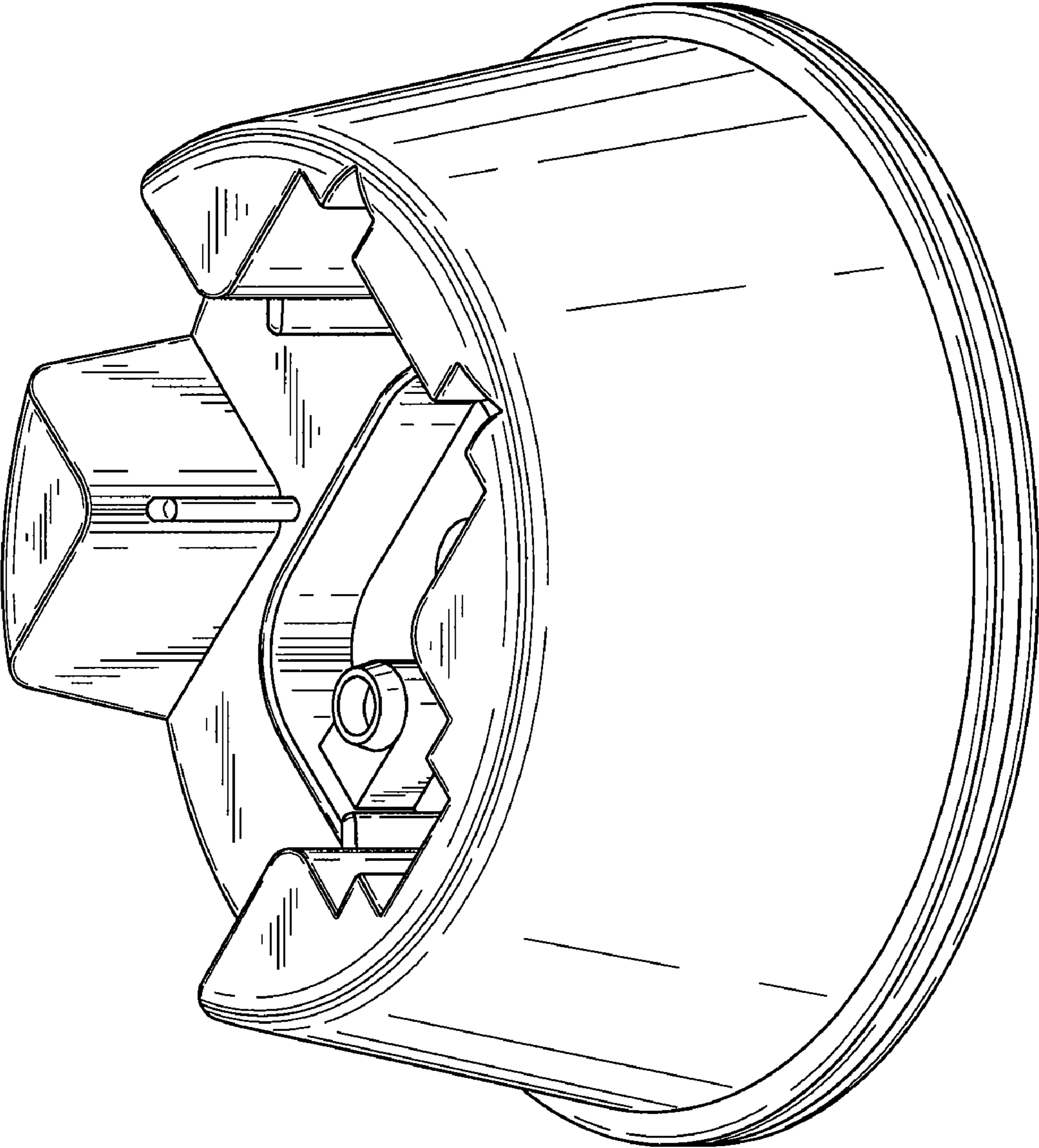


FIG. 7