



US00D588191S

(12) **United States Design Patent**
Baek et al.

(10) **Patent No.:** **US D588,191 S**
(45) **Date of Patent:** **** Mar. 10, 2009**

(54) **CARTRIDGE FOR IMAGE DEVELOPING DEVICE**

(75) Inventors: **Myoung-Su Baek**, Kyunggi-do (KR);
Soon-Seok Kwon, Kyunggi-do (KR);
Seung-Chan Park, Kyunggi-do (KR);
Oh-Dug Kwon, Kyunggi-do (KR)

(73) Assignee: **Samsung Electronics Co., Ltd.**, Suwon,
Kyunggi-Do (KR)

(**) Term: **14 Years**

(21) Appl. No.: **29/294,096**

(22) Filed: **Dec. 21, 2007**

(51) **LOC (9) Cl.** **16-03**

(52) **U.S. Cl.** **D18/43**

(58) **Field of Classification Search** D14/462,
D14/471, 474, 475; D18/12, 36, 40, 43,
D18/44, 56; 222/DIG. 1; 347/49, 197, 214,
347/222; 399/24-27, 107-112, 119, 121,
399/122, 222-224

See application file for complete search history.

(56) **References Cited**

U.S. PATENT DOCUMENTS

D378,830 S	4/1997	Kim	
D445,822 S *	7/2001	Tosa et al.	D18/40
D479,729 S *	9/2003	Kusanagi et al.	D18/40
D528,591 S *	9/2006	Hashimoto et al.	D18/43
D539,335 S	3/2007	Jeon et al.	
D544,528 S	6/2007	Kim	
D546,382 S	7/2007	Noh et al.	
D547,368 S	7/2007	Han	
D551,286 S	9/2007	Han	
D555,193 S	11/2007	Choi	
D555,718 S *	11/2007	Miyabe et al.	D18/43
2006/0029422 A1 *	2/2006	Shiraki	399/111
2006/0083545 A1 *	4/2006	Okabe et al.	399/111
2008/0138108 A1 *	6/2008	Okabe et al.	399/111

OTHER PUBLICATIONS

U.S. Appl. No. 29/270,054, Applicant: Se-Il Kwon, filed Dec. 13, 2006 entitled Cartridge for Laser Compound Device.
 U.S. Appl. No. 29/270,051, Applicant: Jong-Hyun Park, filed Dec. 13, 2006 entitled Toner Cartridge.
 U.S. Appl. No. 29/291,994, Applicant: Min-Su Han, filed Sep. 25, 2007 entitled Development Device for Laser Printer.
 U.S. Appl. No. 29/292,077, Applicant: Gyeong-Sun Park, et al., filed Sep. 27, 2007 entitled Development Device for Laser Printer.
 U.S. Appl. No. 29/292,095, Applicant: Gyeong-Sun Park, et al., filed Sep. 27, 2007 entitled Toner Cartridge.
 U.S. Appl. No. 29/292,073, Applicant: Gyeong-Sun Park, et al., filed Sep. 27, 2007 entitled Toner Cartridge.
 U.S. Appl. No. 29/292,075, Applicant: Gyeong-Sun Park, et al., filed Sep. 27, 2007 entitled Toner Cartridge.
 U.S. Appl. No. 29/294,095, Applicant: Jai-Il Choi, et al., filed Dec. 21, 2007 entitled Development Device for Laser Printer.

* cited by examiner

Primary Examiner—Caron Veynar

Assistant Examiner—Garth Rademaker

(74) *Attorney, Agent, or Firm*—Flynn, Thiel, Boutell & Tanis, P.C.

(57) **CLAIM**

The ornamental design for a cartridge for image developing device, as shown and described.

DESCRIPTION

FIG. 1 is a top front perspective view of a cartridge for image developing device showing our new design;

FIG. 2 is a front elevational view thereof;

FIG. 3 is a rear elevational view thereof;

FIG. 4 is a left side elevational view thereof;

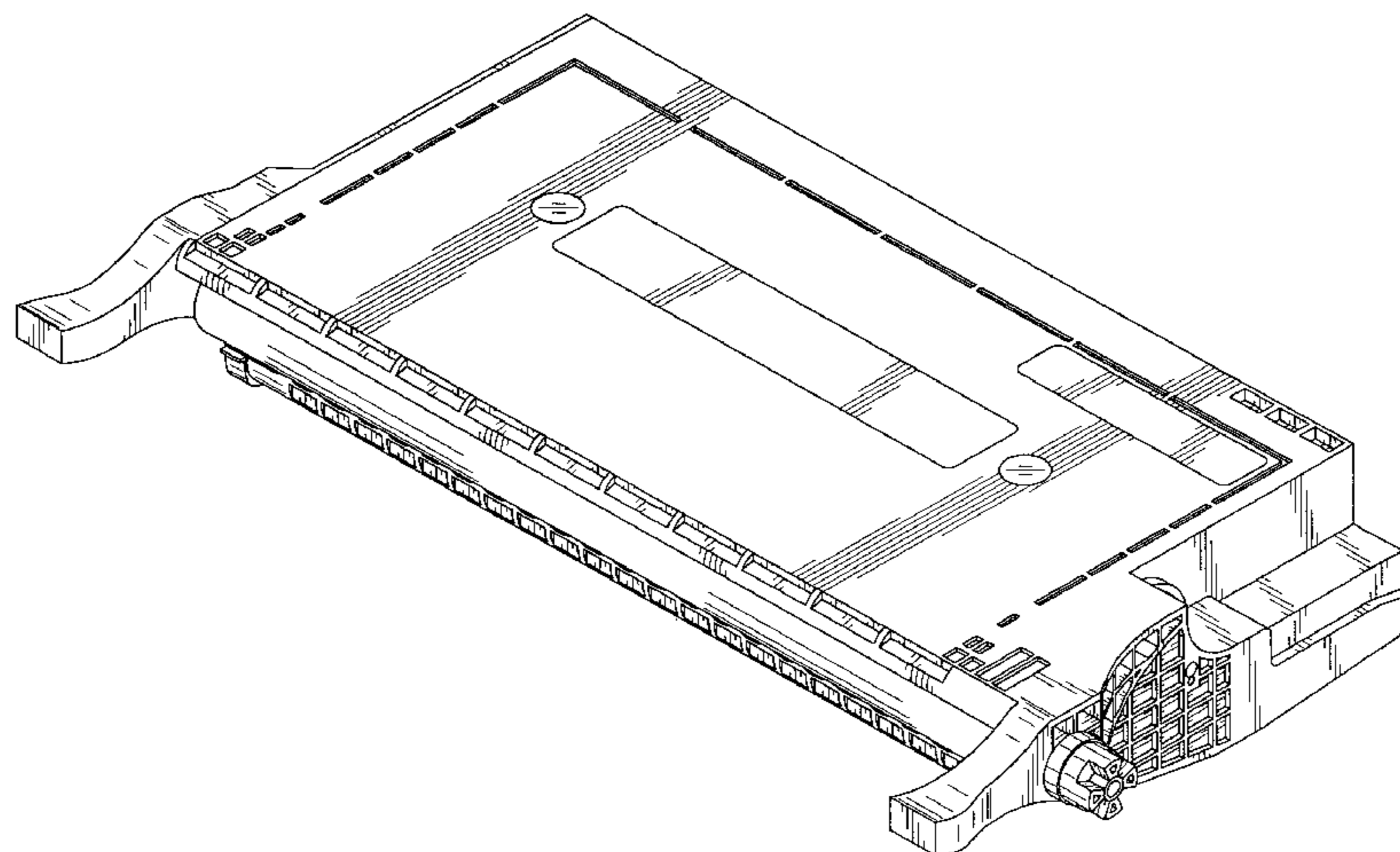
FIG. 5 is a right side elevational view thereof;

FIG. 6 is a top plan view thereof; and,

FIG. 7 is a bottom plan view thereof.

The broken lines depict environmental subject matter only and form no part of the claimed design.

1 Claim, 4 Drawing Sheets



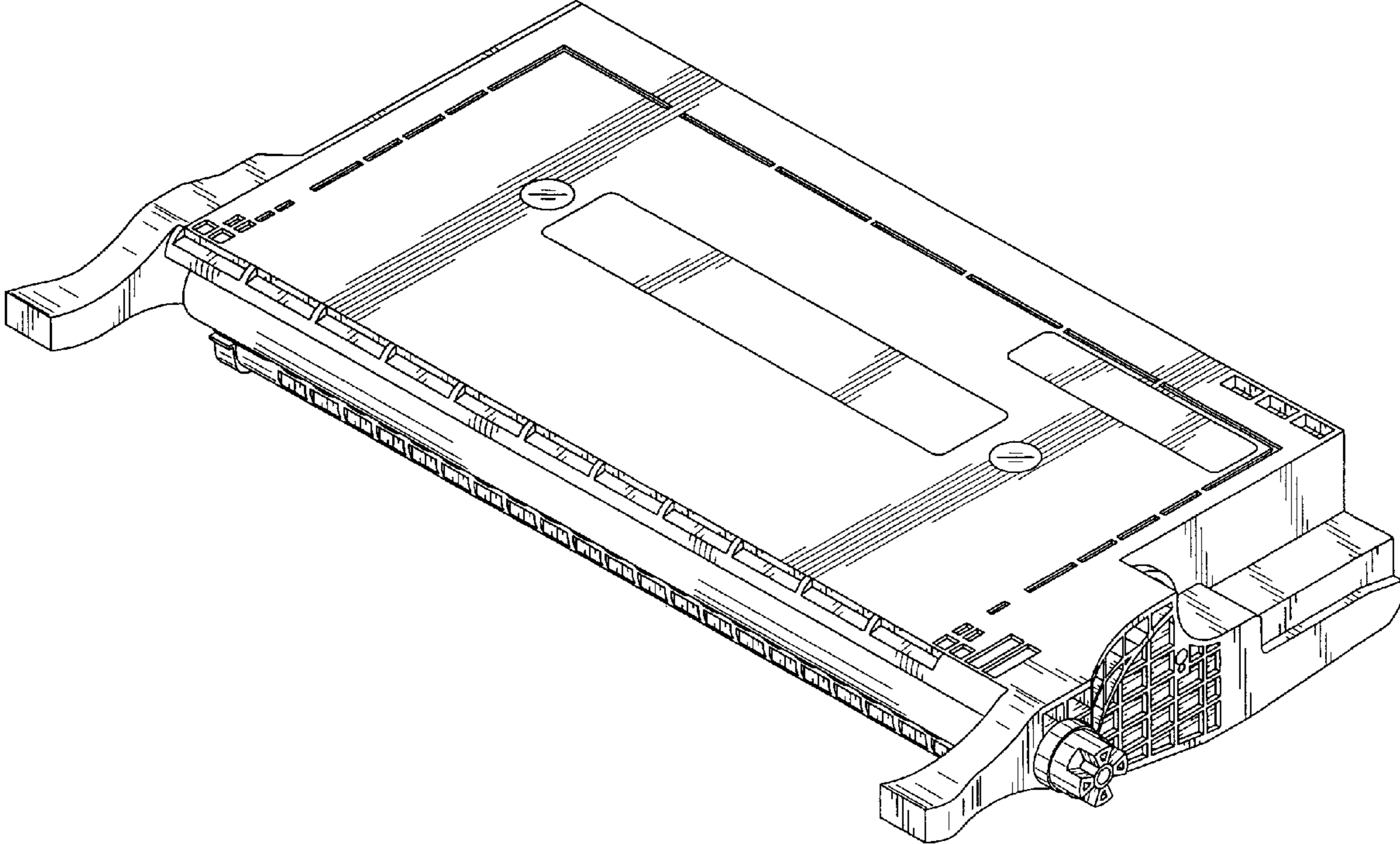


FIG. 1

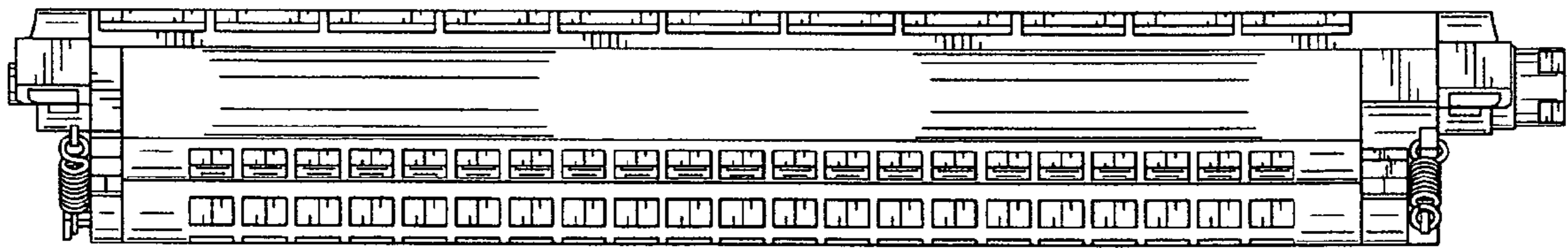


FIG. 2

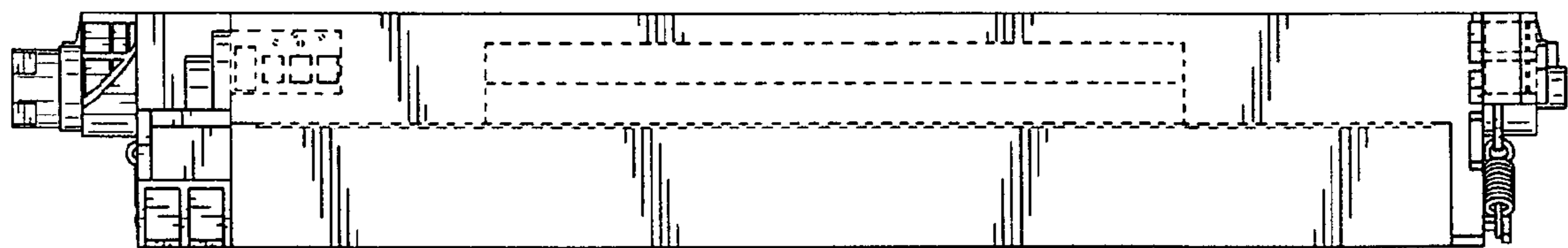


FIG. 3

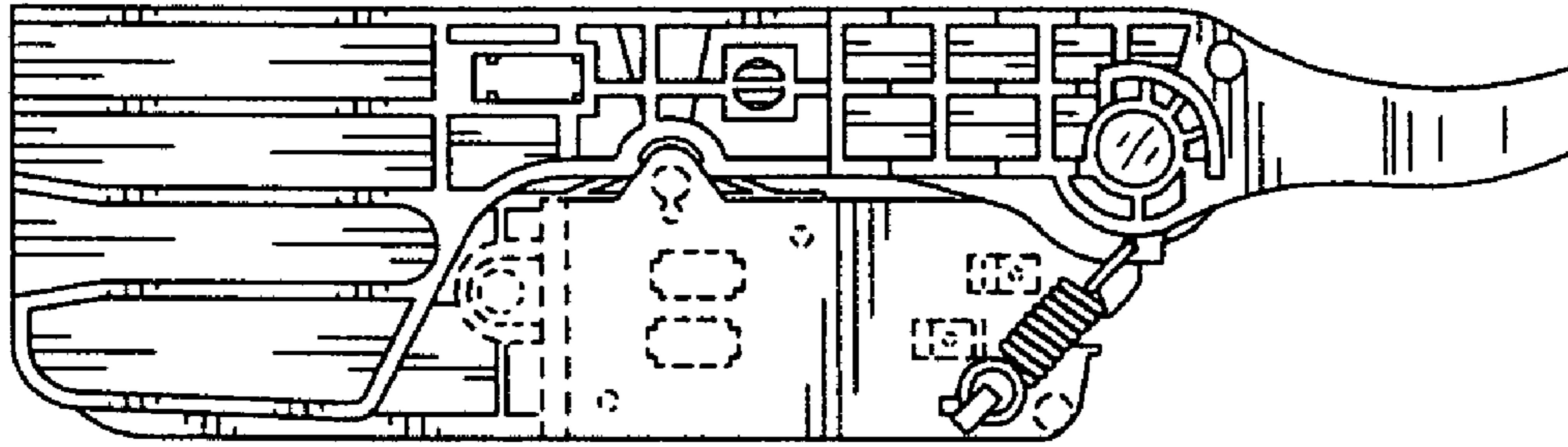


FIG. 4

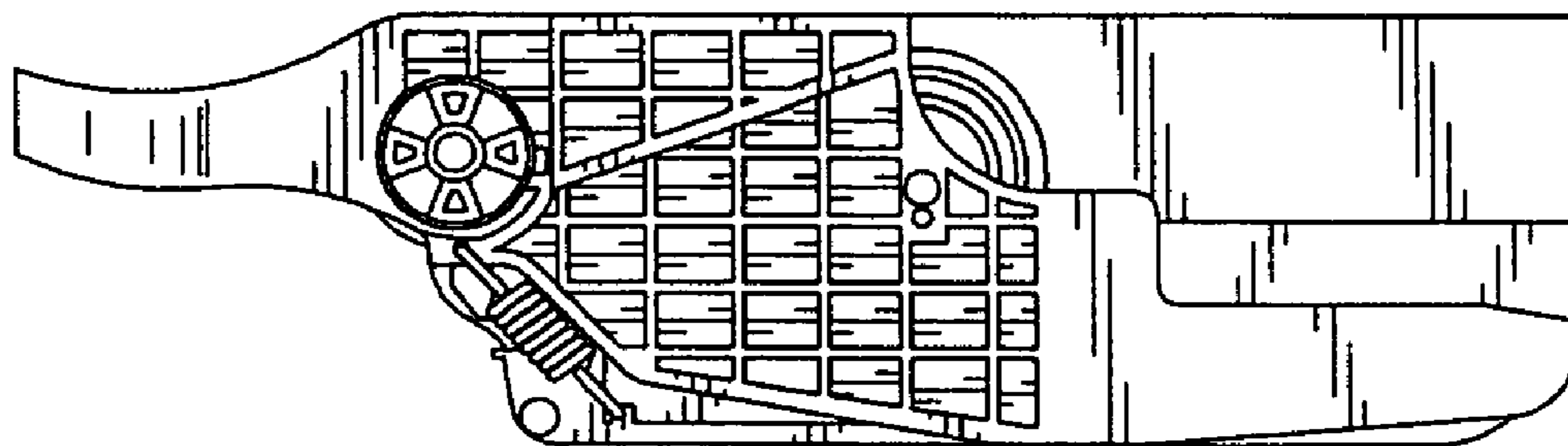


FIG. 5

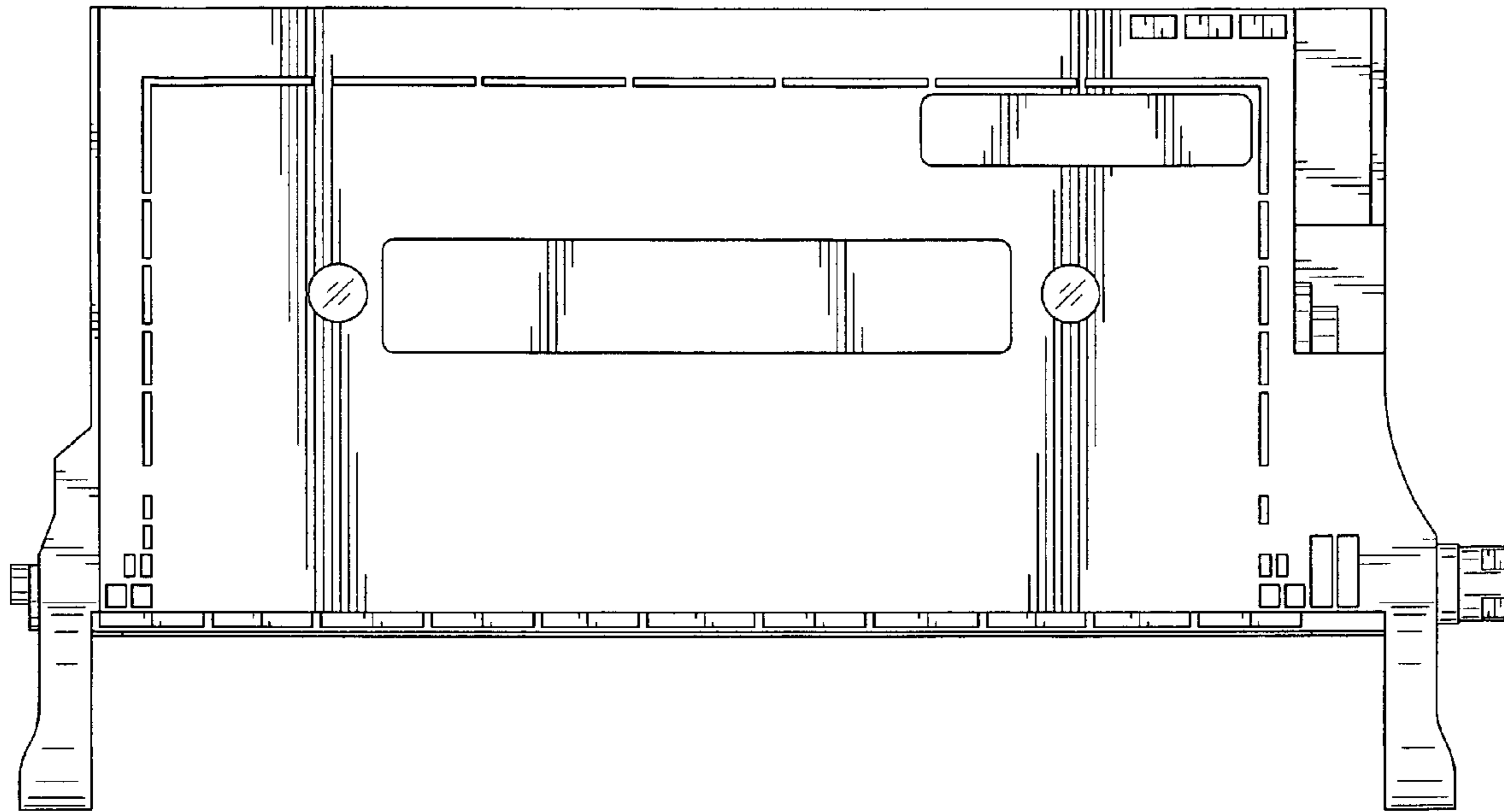


FIG. 6

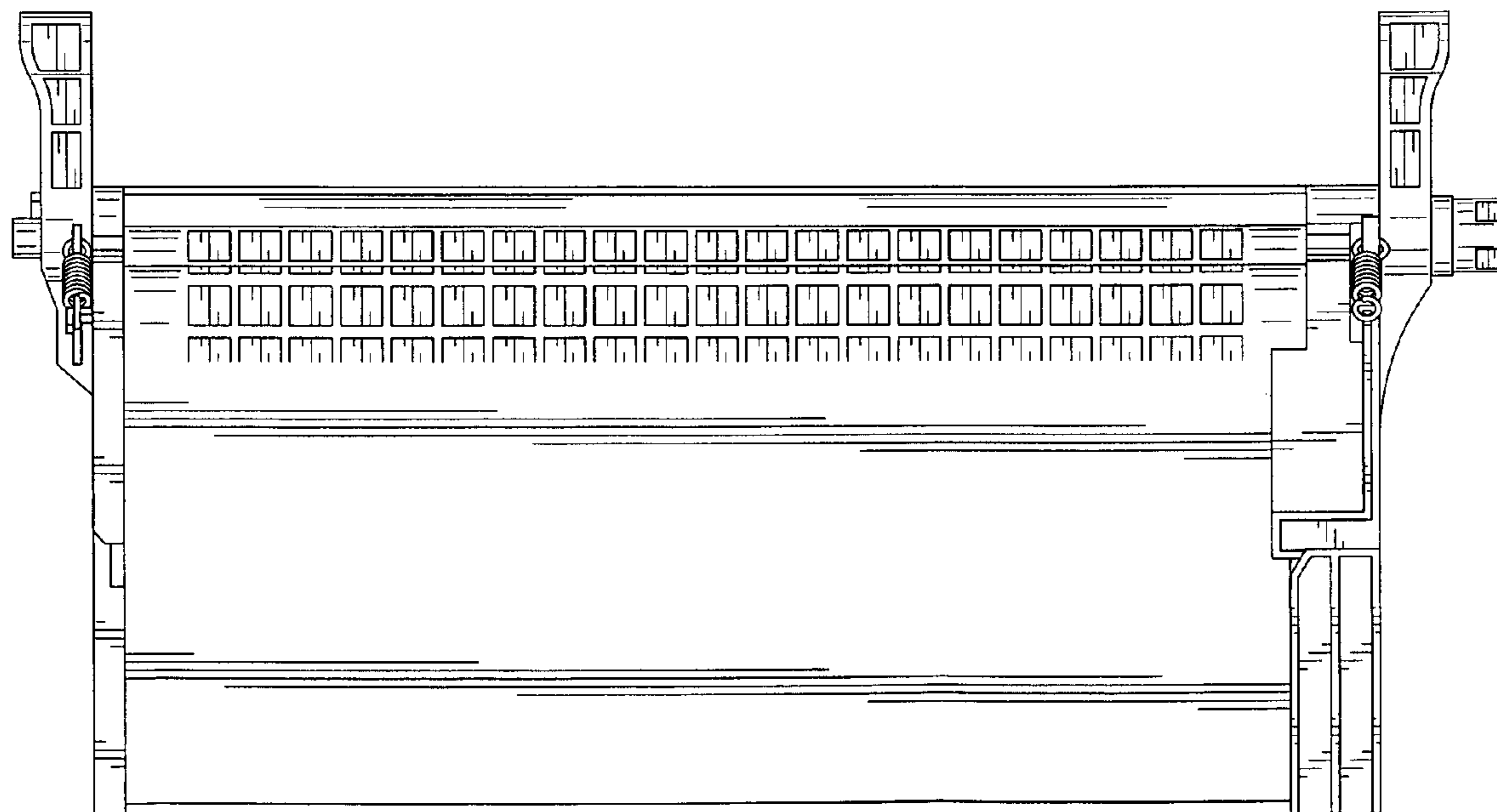


FIG. 7