



US00D588190S

(12) **United States Design Patent**
Kamimura et al.

(10) **Patent No.:** **US D588,190 S**
(45) **Date of Patent:** **** Mar. 10, 2009**

(54) **PRINTER CARTRIDGE**

D507,597 S 7/2005 Kobayashi et al.

(75) Inventors: **Naoya Kamimura**, Nagoya (JP);
Makoto Ishii, Nagoya (JP); **Yasushi Okabe**, Nagoya (JP); **Isao Kishi**, Nagoya (JP)

(Continued)

Primary Examiner—Caron Veynar
Assistant Examiner—Garth Rademaker
(74) *Attorney, Agent, or Firm*—Banner & Witcoff, Ltd

(73) Assignee: **Brother Kogyo Kabushiki Kaisha**, Nagoya-shi (JP)

(57) **CLAIM**

(**) Term: **14 Years**

The ornamental design for a printer cartridge, as shown and described.

(21) Appl. No.: **29/276,993**

DESCRIPTION

(22) Filed: **Feb. 9, 2007**

FIG. 1 is a front view of a printer cartridge showing our new design;

(30) **Foreign Application Priority Data**

Aug. 10, 2006 (JP) 2006-21428

FIG. 2 is a top view thereof;

(51) **LOC (9) Cl.** **16-03**

FIG. 3 is a left side elevational view thereof;

(52) **U.S. Cl.** **D18/43**

FIG. 4 is a right side elevational view thereof;

(58) **Field of Classification Search** D14/471;
D18/12, 36-40, 43, 44, 46-49, 56; 222/DIG. 1;
347/197, 222; 399/24-28, 107-112, 119,
399/121, 122, 222-224

FIG. 5 is a rear view thereof;

See application file for complete search history.

FIG. 6 is a bottom view thereof;

FIG. 7 is a top perspective view thereof;

FIG. 8 is a bottom perspective view thereof;

FIG. 9 is an enlarged right side elevational view of the printer cartridge with a handle in a second position;

(56) **References Cited**

U.S. PATENT DOCUMENTS

- D359,754 S * 6/1995 Hashizume et al. D18/43
- D377,663 S * 1/1997 Ziegler D18/43
- D397,140 S * 8/1998 Oshida D18/40
- D422,304 S 4/2000 Suzuki et al.
- D442,216 S 5/2001 Kimura et al.
- 6,377,759 B1 * 4/2002 Abe et al. 399/27
- D471,228 S 3/2003 Okabe et al.
- D489,752 S * 5/2004 Yamaguchi et al. D18/40
- D506,776 S 6/2005 Kobayashi et al.
- D507,296 S 7/2005 Ishii et al.
- D507,595 S 7/2005 Kobayashi et al.
- D507,596 S 7/2005 Kobayashi et al.

FIG. 10 is an enlarged partial perspective view of the upper right side thereof;

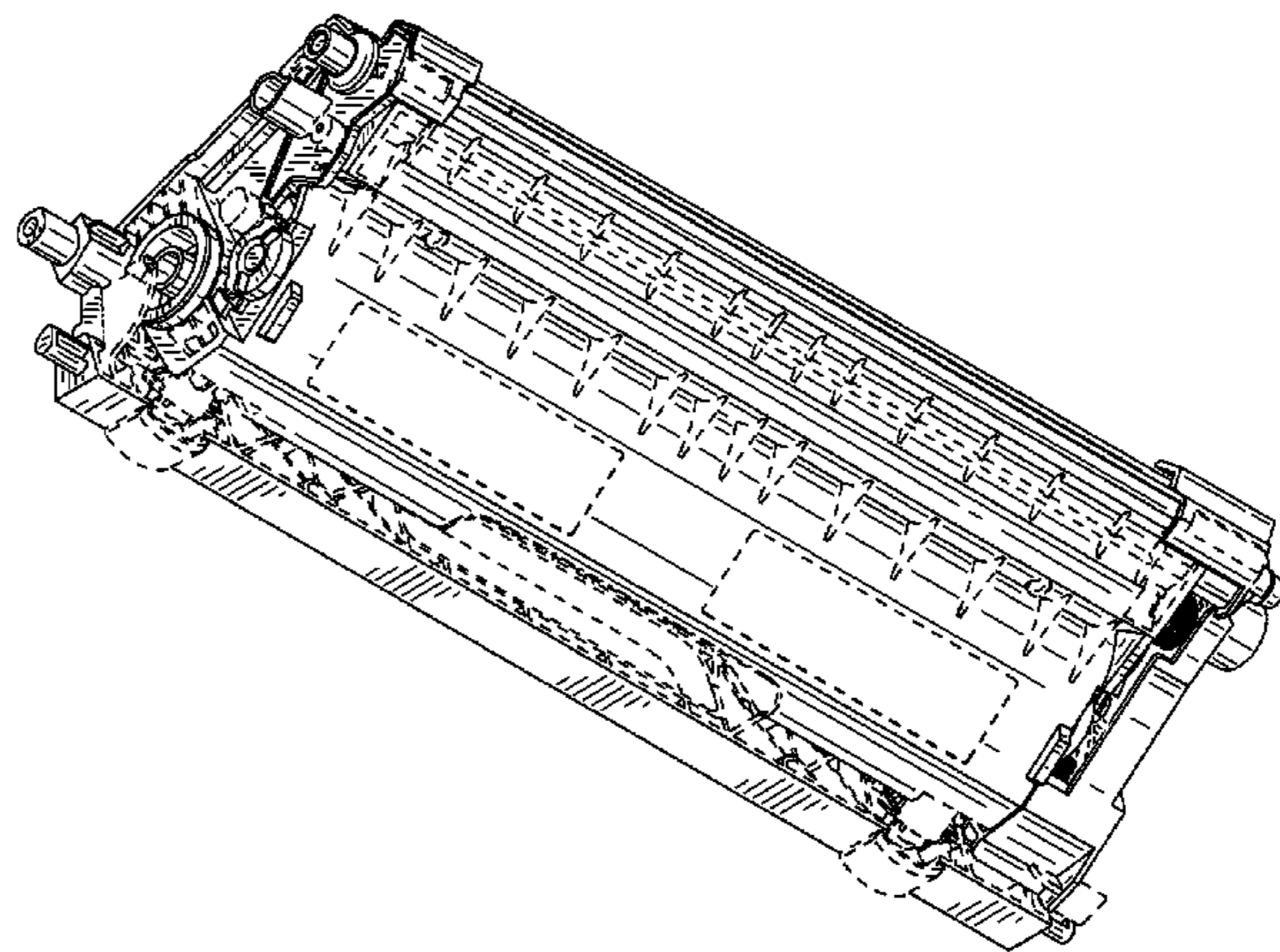
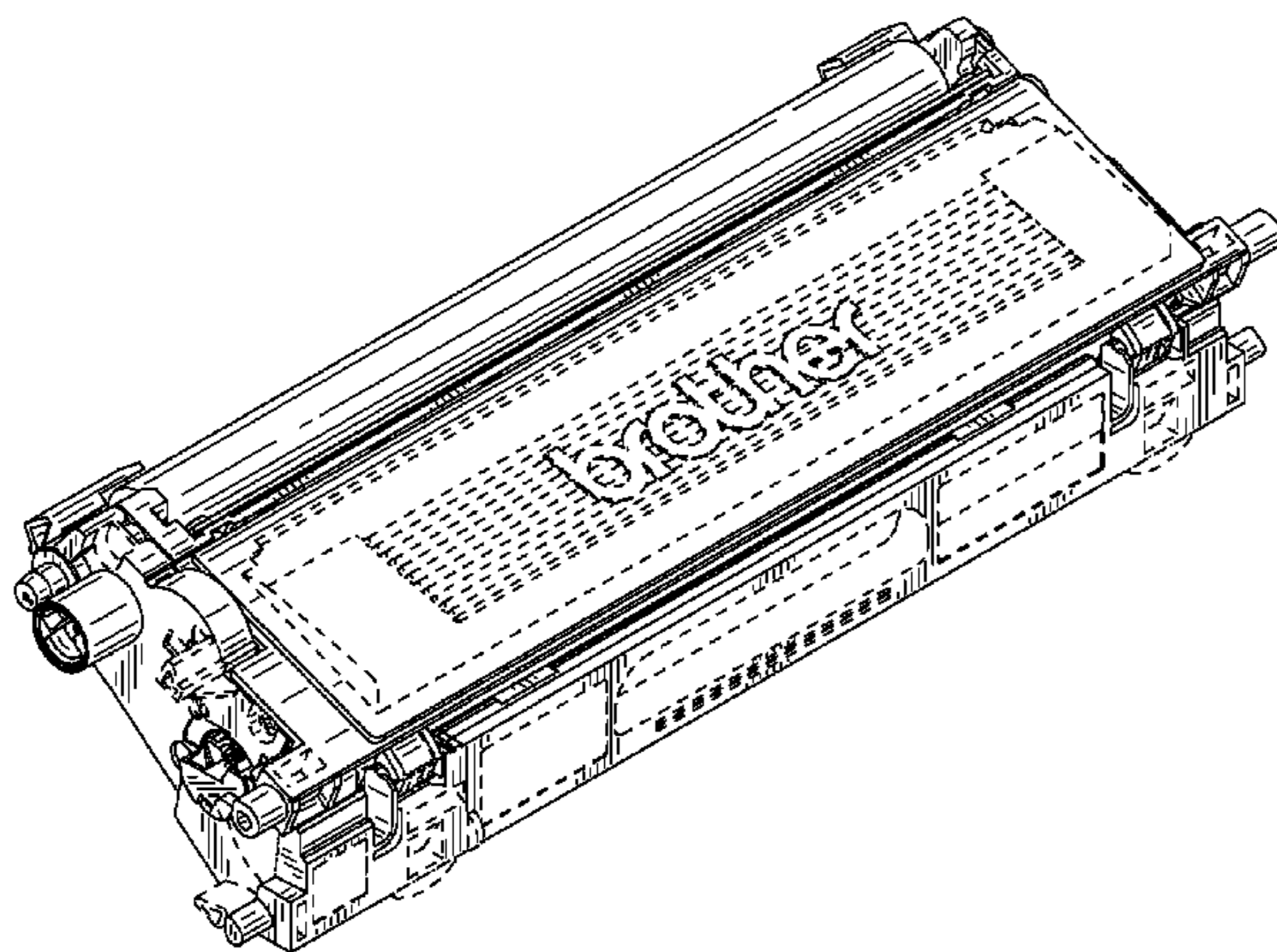
FIG. 11 is an enlarged partial perspective view of the lower right side thereof;

FIG. 12 is an enlarged partial perspective view of the upper left side thereof; and,

FIG. 13 is an enlarged partial perspective view of the lower left side thereof.

The broken lines depict environmental subject matter only and form no part of the claimed design.

1 Claim, 10 Drawing Sheets



US D588,190 S

Page 2

U.S. PATENT DOCUMENTS

D507,809 S	7/2005	Kobayashi et al.	D531,660 S	11/2006	Ishii et al.	
D508,945 S	8/2005	Ishii et al.	D531,661 S	11/2006	Ishii et al.	
D510,947 S	10/2005	Ishii et al.	D533,215 S	12/2006	Ishii et al.	
D511,542 S	11/2005	Ishii et al.	D533,583 S	12/2006	Kobayashi et al.	
D512,092 S	11/2005	Kobayashi et al.	D537,110 S *	2/2007	Nakata et al.	D18/40
D512,454 S	12/2005	Ishii et al.	D550,764 S *	9/2007	Ishikawa et al.	D18/43
D522,564 S	6/2006	Ishii et al.	2007/0036582 A1 *	2/2007	Okabe	399/111
7,076,187 B2 *	7/2006	Jeong et al.	2007/0280730 A1 *	12/2007	Okabe et al.	399/111
D528,148 S	9/2006	Ishii et al.	2008/0031656 A1 *	2/2008	Okabe	399/241

* cited by examiner

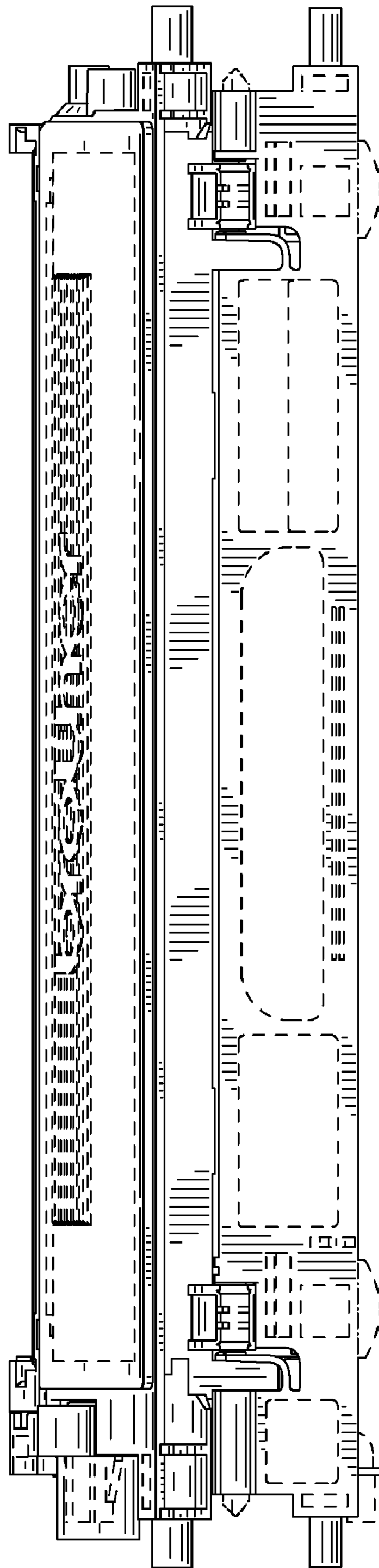


FIG. 1

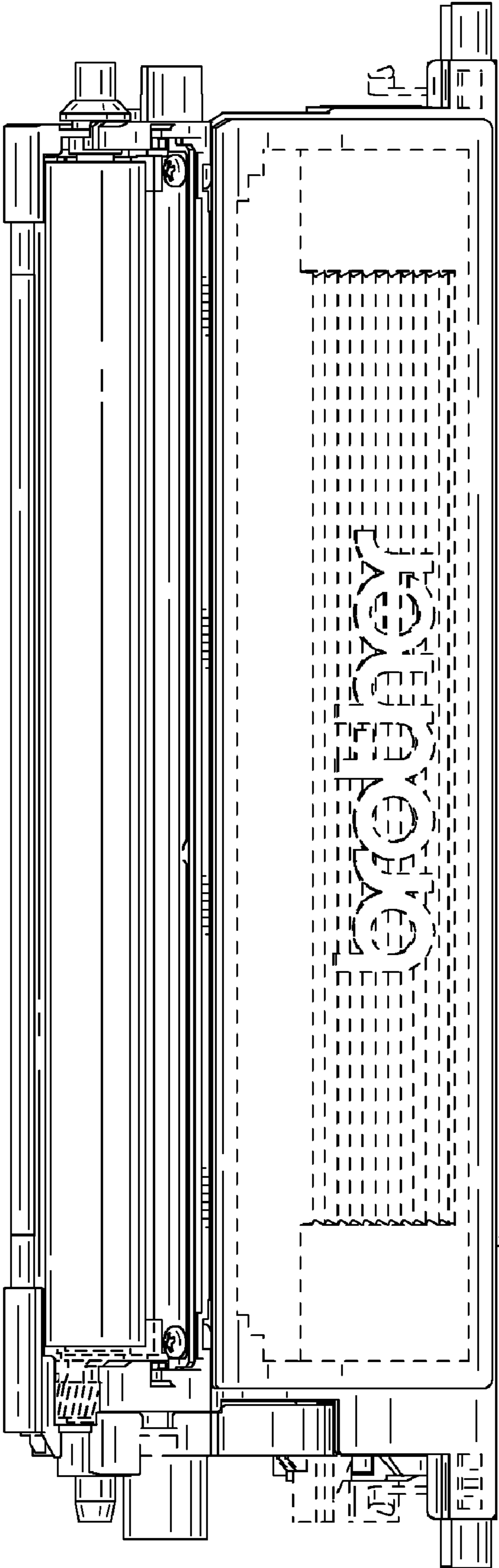


FIG. 2

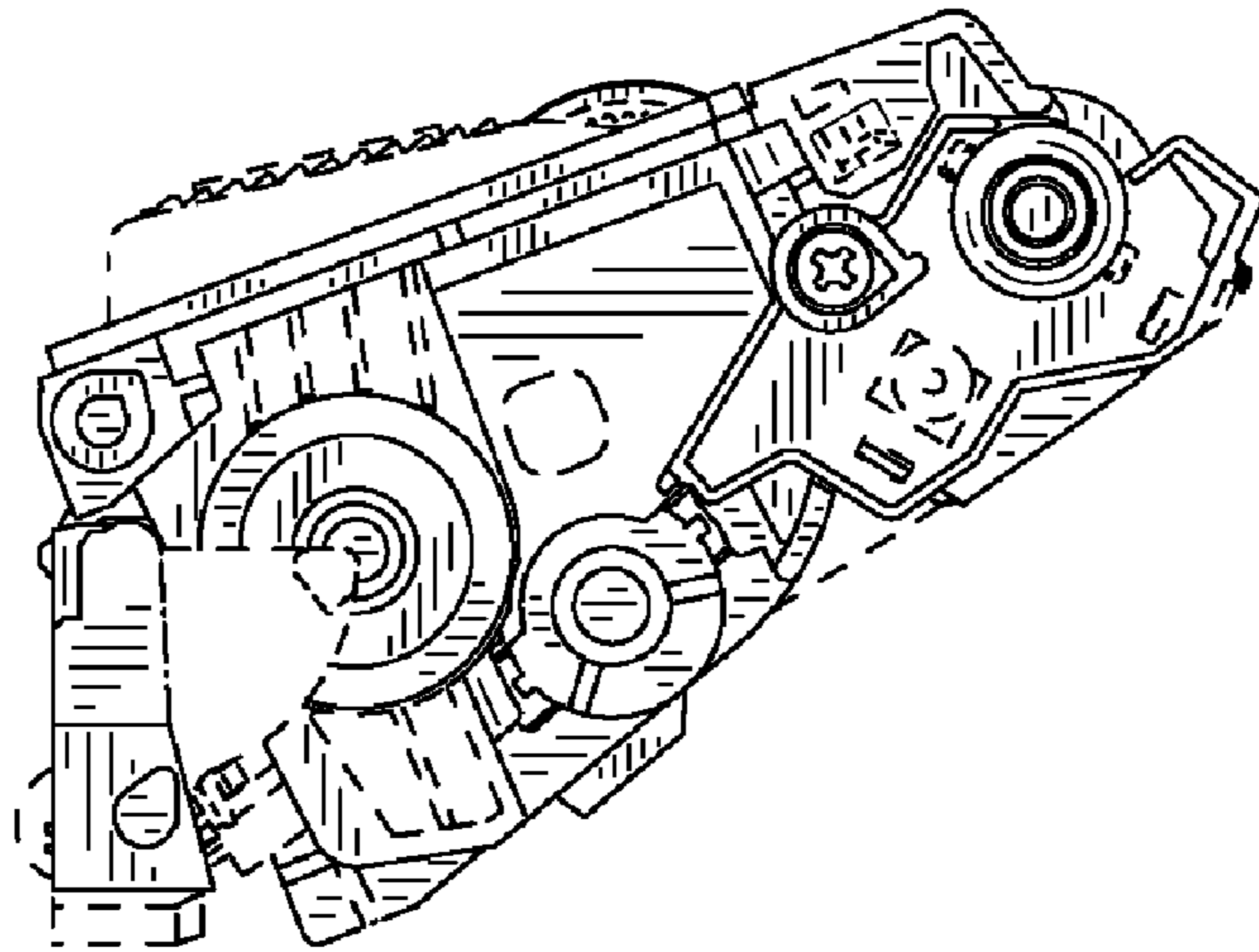


FIG. 3

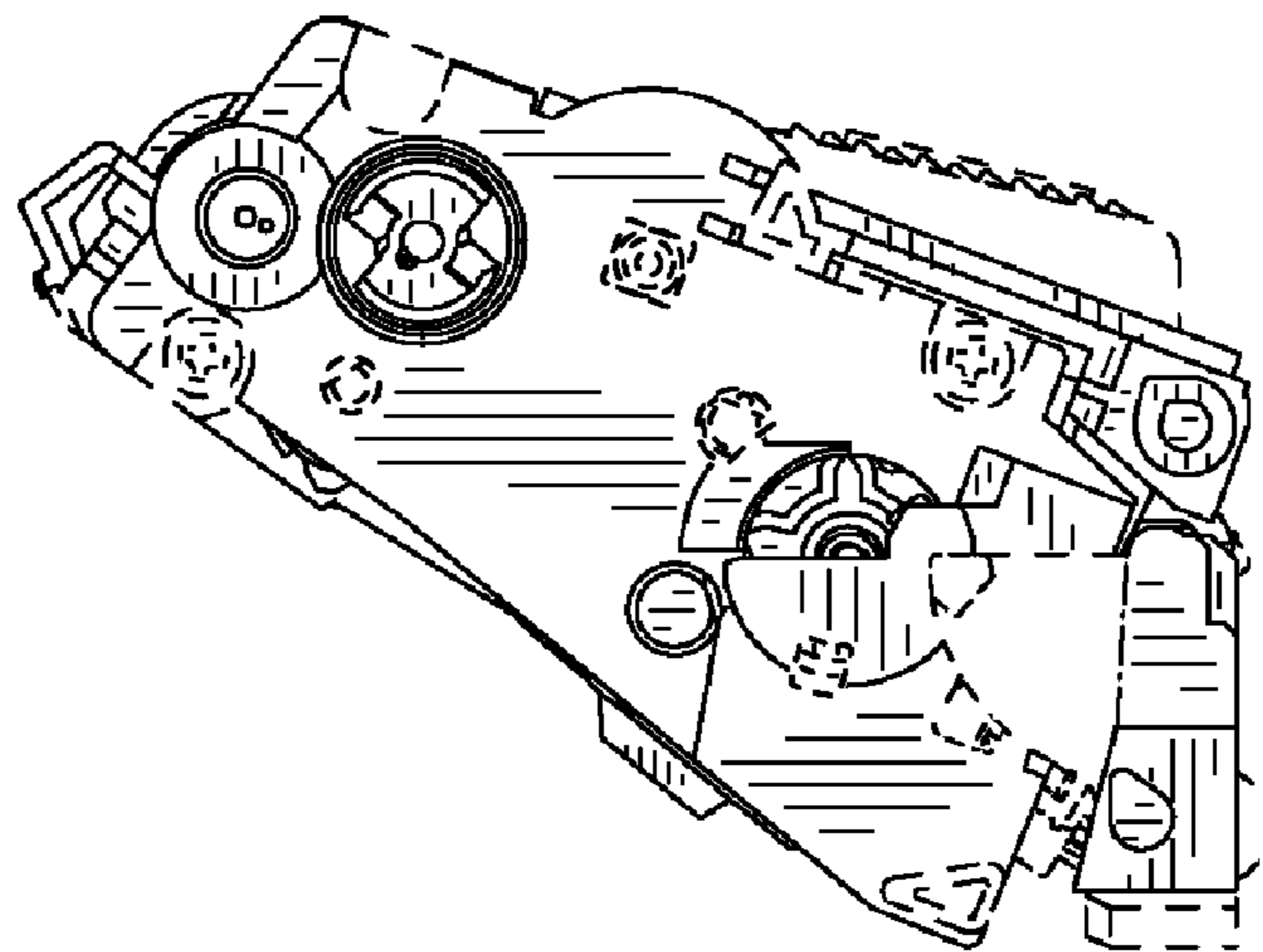


FIG. 4

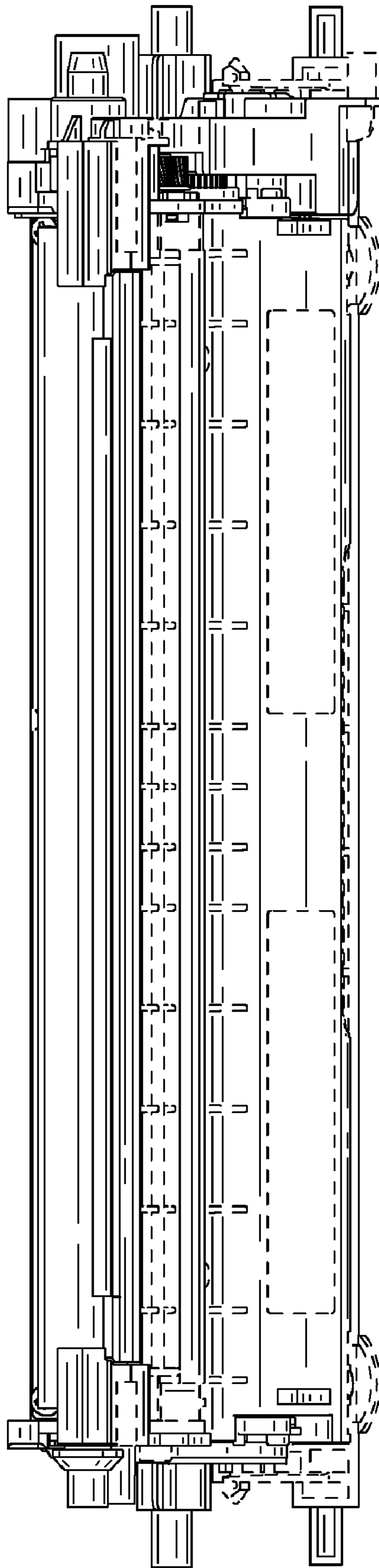


FIG. 5

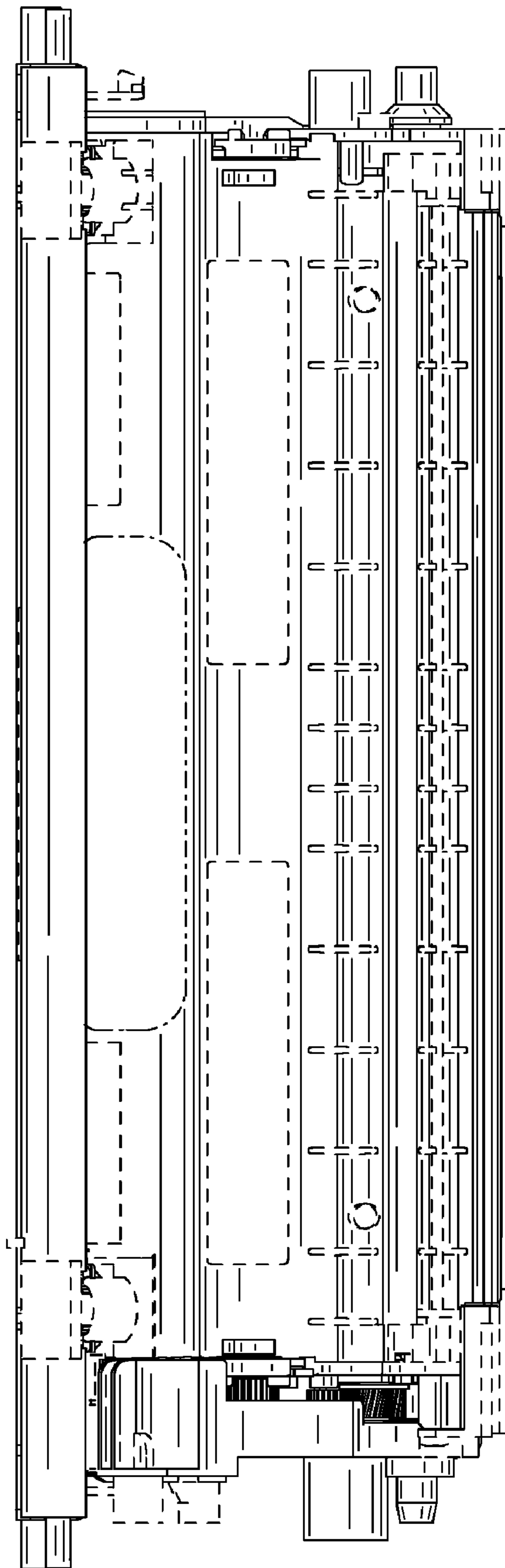


FIG. 6

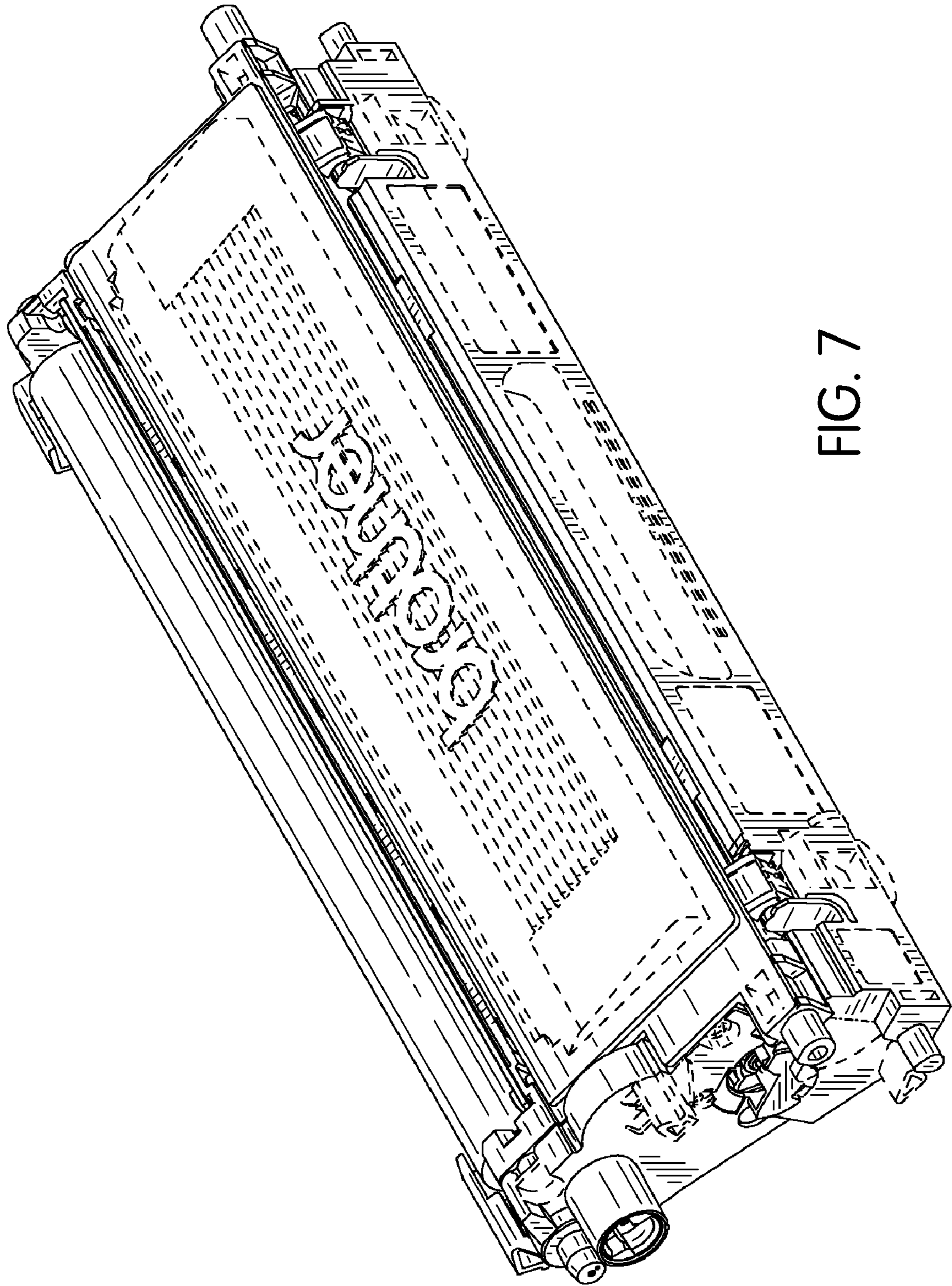


FIG. 7

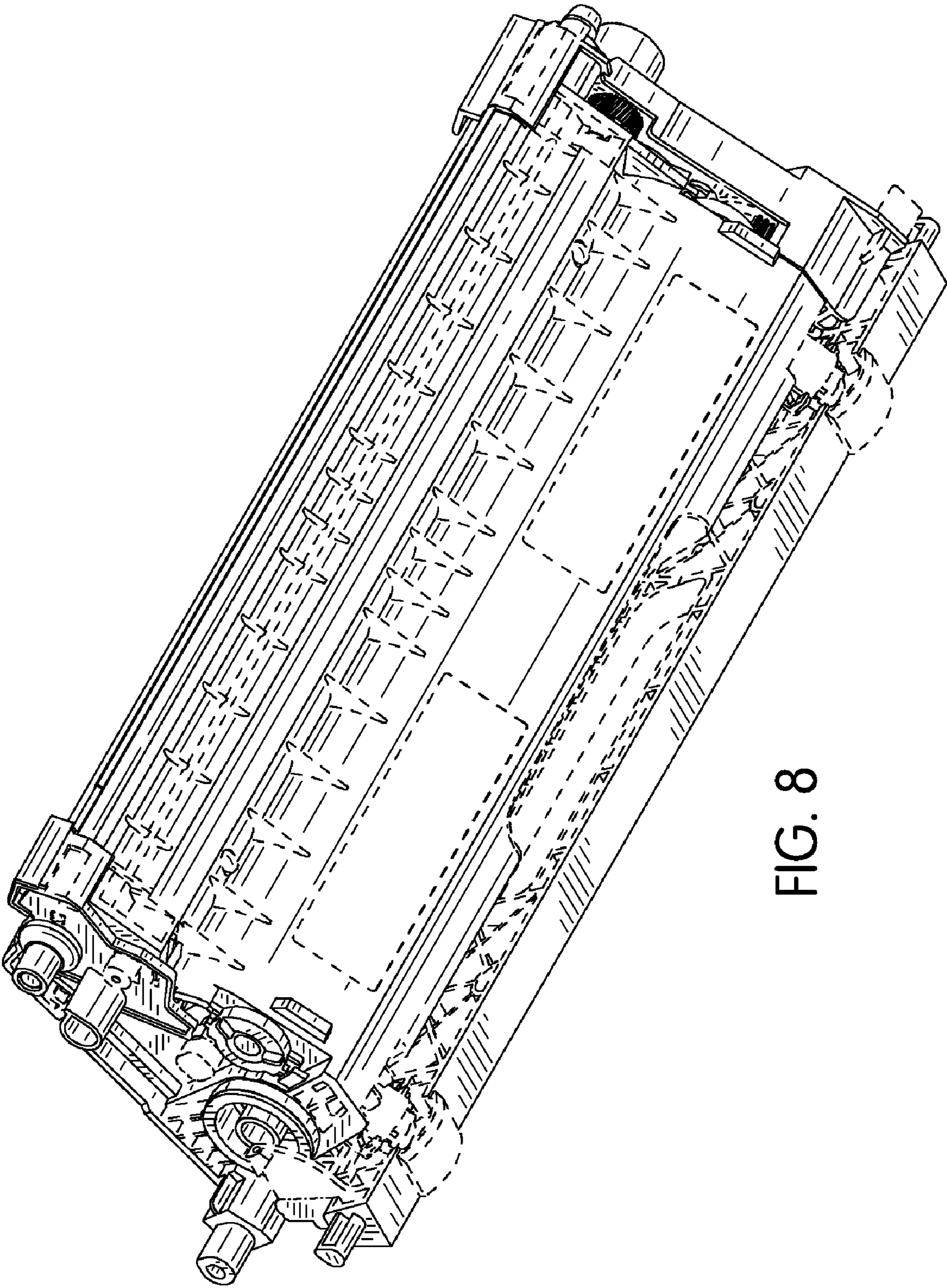


FIG. 8

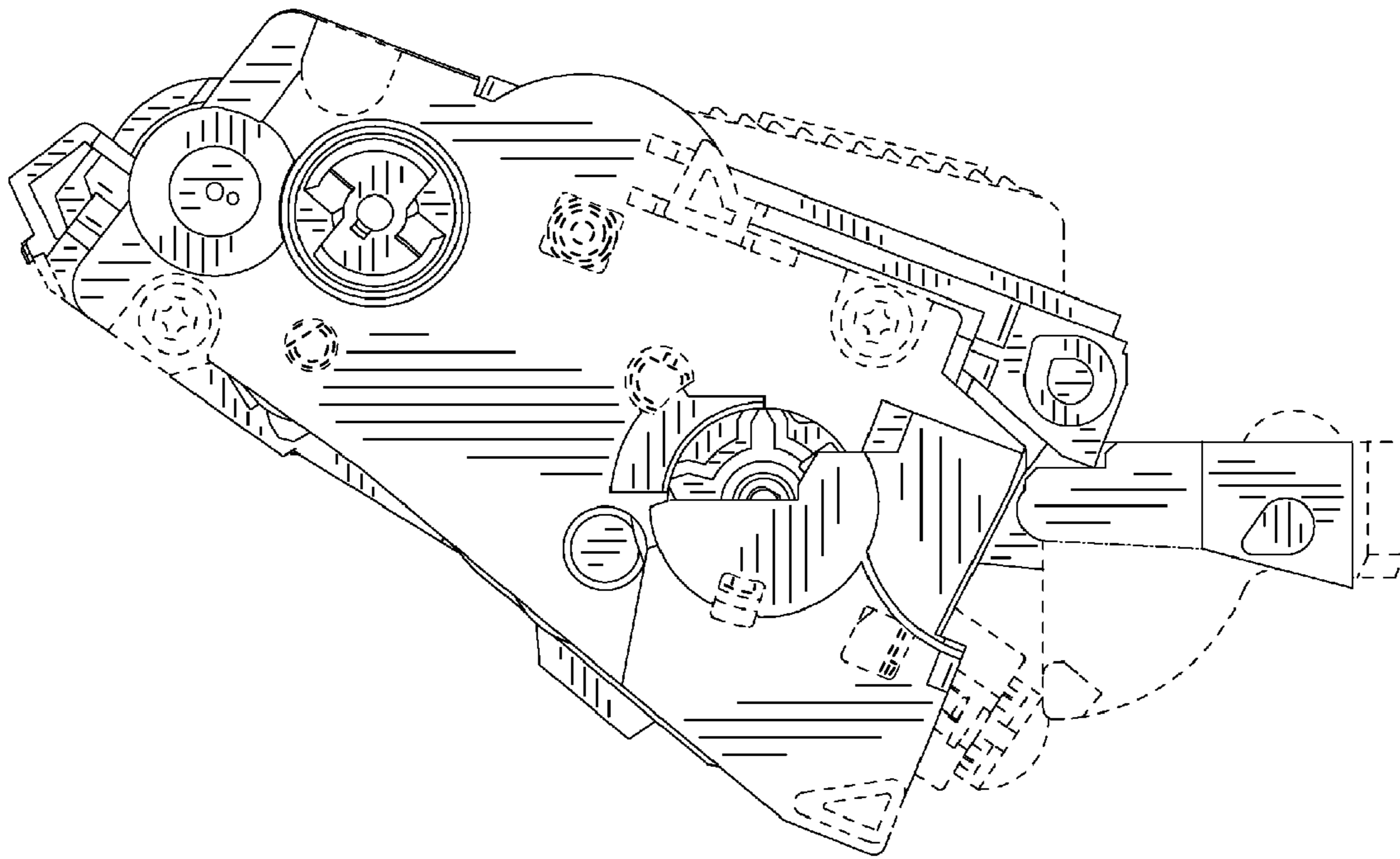


FIG. 9

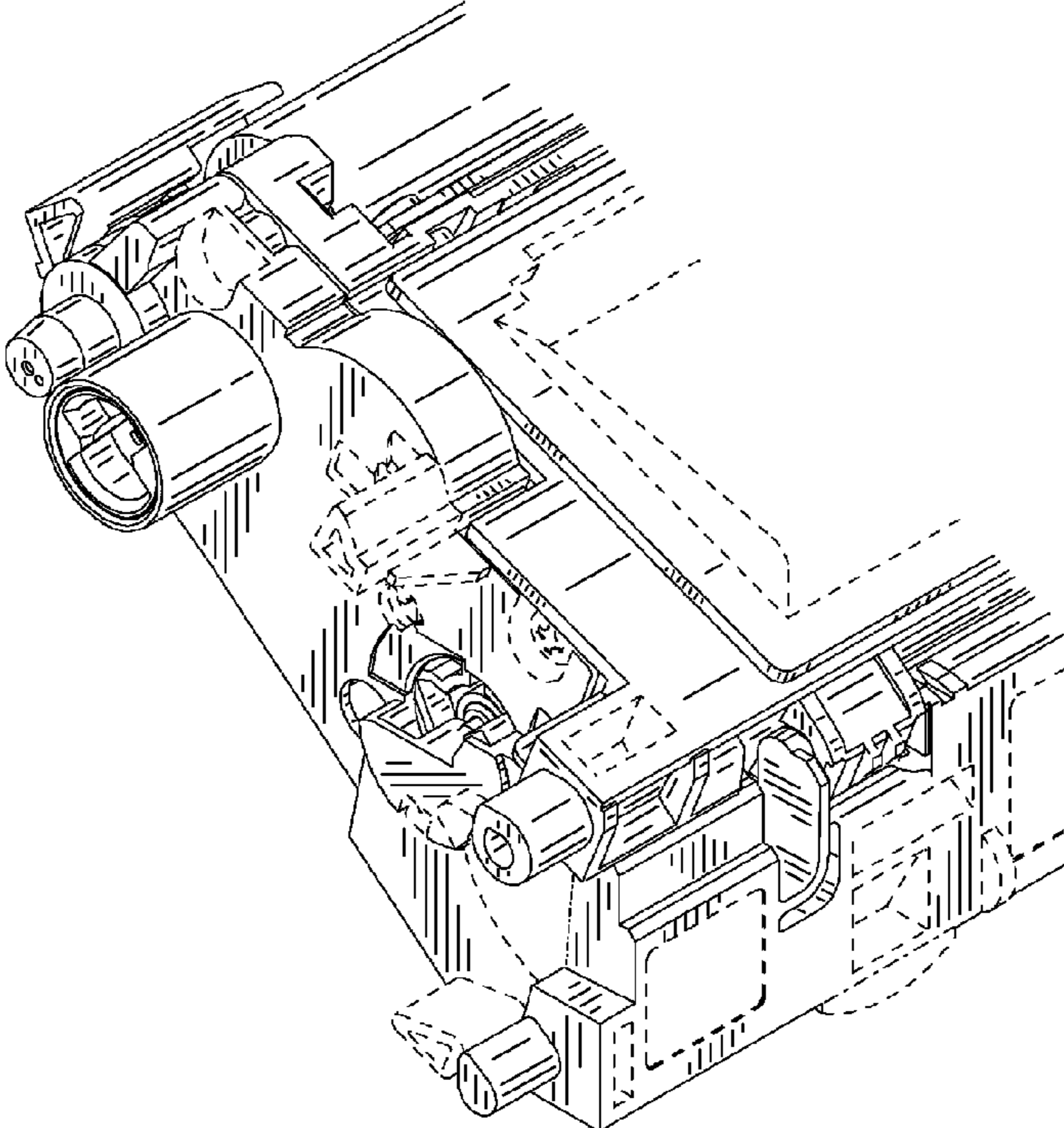


FIG. 10

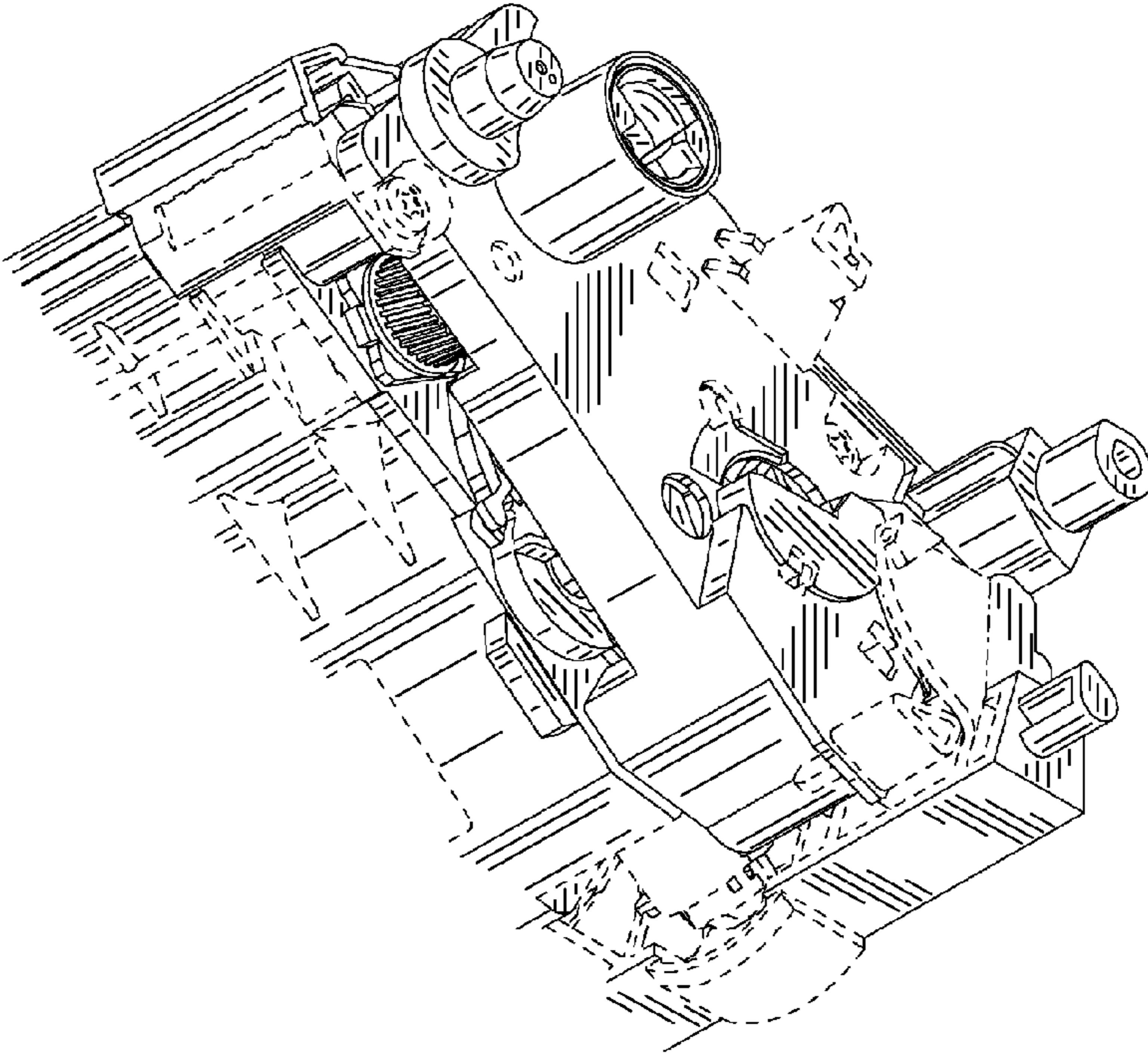


FIG. 11

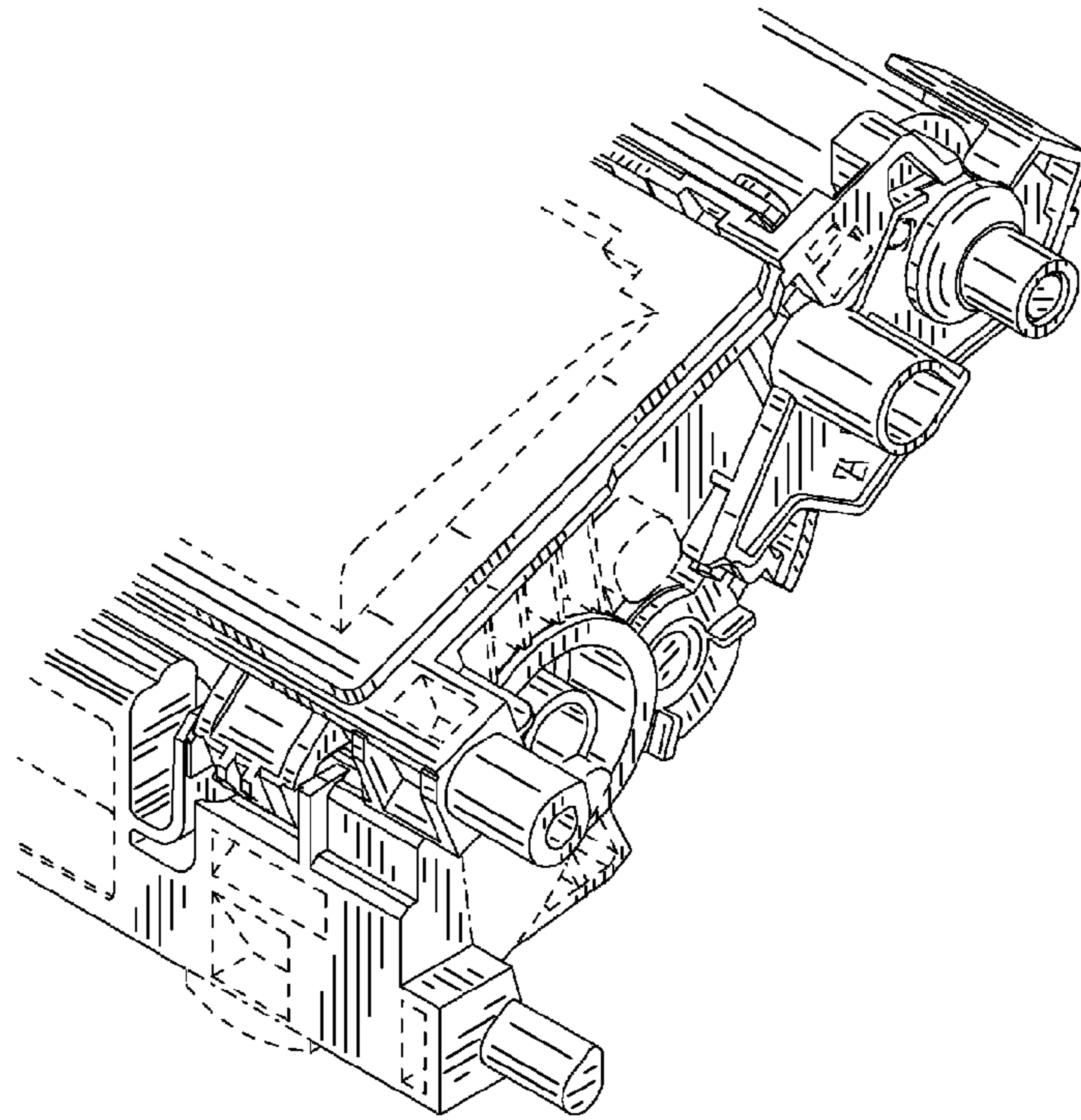


FIG. 12

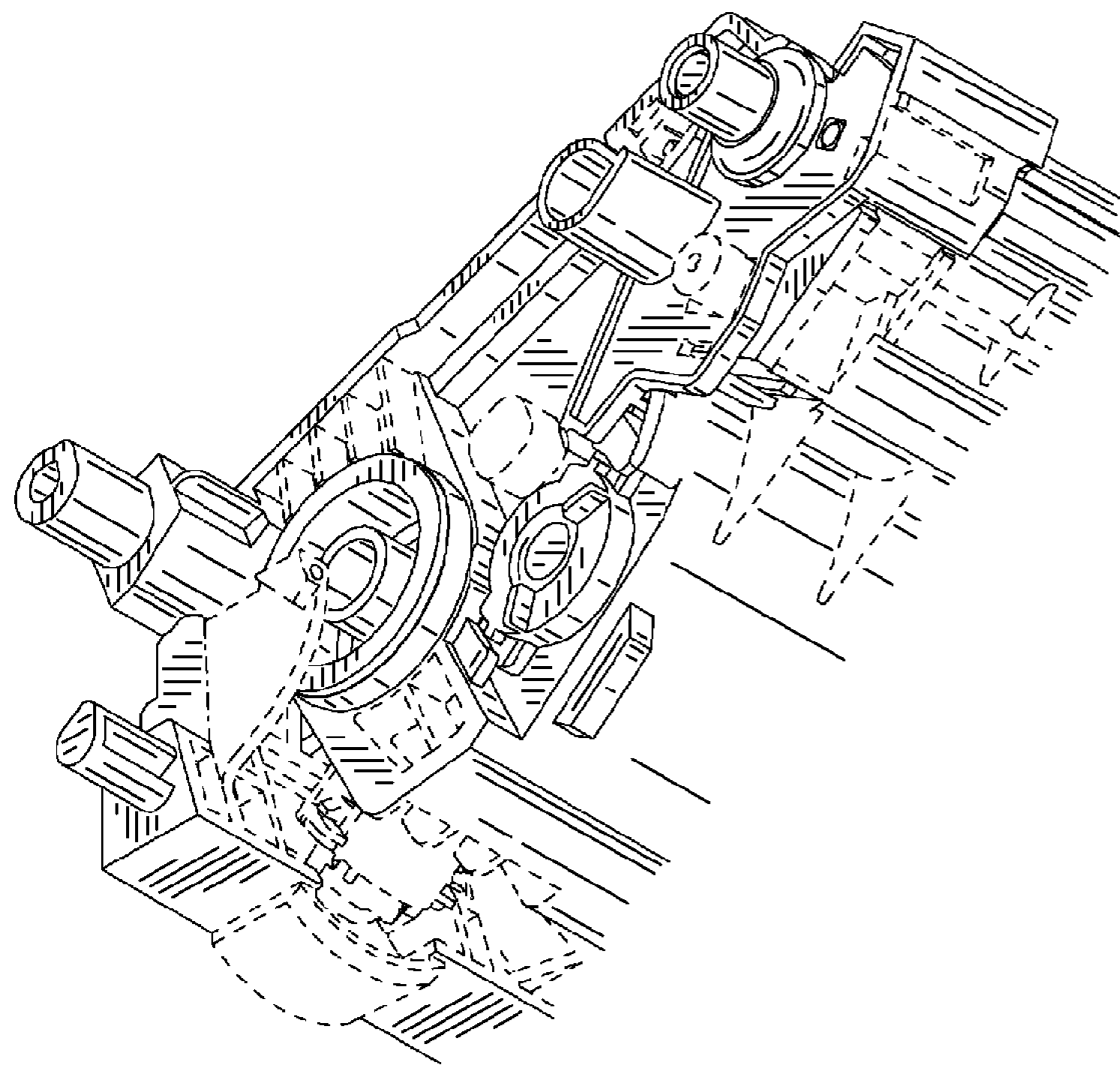


FIG. 13