



US00D588189S

(12) **United States Design Patent**  
**Kamimura et al.**

(10) **Patent No.:** **US D588,189 S**  
(45) **Date of Patent:** **\*\* Mar. 10, 2009**

(54) **TRAY FOR PRINTER CARTRIDGES**

(75) Inventors: **Naoya Kamimura**, Nagoya (JP);  
**Makoto Ishii**, Nagoya (JP); **Yasushi Okabe**, Nagoya (JP); **Isao Kishi**, Nagoya (JP)

(73) Assignee: **Brother Kogyo Kabushiki Kaisha**, Nagoya-shi (JP)

(\*\*) Term: **14 Years**

(21) Appl. No.: **29/276,997**

(22) Filed: **Feb. 9, 2007**

(30) **Foreign Application Priority Data**

Aug. 10, 2006 (JP) ..... 2006-21436

(51) **LOC (9) Cl.** ..... **16-03**

(52) **U.S. Cl.** ..... **D18/40**

(58) **Field of Classification Search** ..... D14/471;  
D18/12, 36-40, 43, 44, 46-49, 56; 222/DIG. 1;  
347/197, 222; 399/24-28, 107-112, 119,  
399/121, 122, 222-224

See application file for complete search history.

(56) **References Cited**

**U.S. PATENT DOCUMENTS**

D423,559 S	4/2000	Suzuki et al.	
D447,511 S	9/2001	Kimura et al.	
D458,299 S *	6/2002	Koizumi et al. ....	D18/40
6,498,915 B2 *	12/2002	Yamaguchi et al. ....	399/110
D471,583 S	3/2003	Okabe et al.	
6,842,597 B2 *	1/2005	Yamaguchi et al. ....	399/223
D507,295 S	7/2005	Ishii et al.	
D509,239 S	9/2005	Ishii et al.	
D518,851 S *	4/2006	Awano et al. ....	D18/40
D521,545 S	5/2006	Ishii et al.	
D523,894 S	6/2006	Ishii et al.	
D523,895 S	6/2006	Ishii et al.	
D523,896 S	6/2006	Ishii et al.	
D550,763 S *	9/2007	Ishikawa et al. ....	D18/43

2003/0165346 A1 *	9/2003	Yamaguchi et al. ....	399/223
2007/0036582 A1 *	2/2007	Okabe .....	399/111
2007/0077087 A1 *	4/2007	Okabe et al. ....	399/111
2007/0147881 A1 *	6/2007	Okabe et al. ....	399/110
2007/0147885 A1 *	6/2007	Okabe et al. ....	399/111
2007/0147887 A1 *	6/2007	Hattori .....	399/119
2007/0147888 A1 *	6/2007	Igarashi et al. ....	399/119
2007/0147889 A1 *	6/2007	Kamimura .....	399/119
2007/0147890 A1 *	6/2007	Hayakawa .....	399/119
2007/0201900 A1 *	8/2007	Murayama .....	399/110
2007/0217818 A1 *	9/2007	Shiraki et al. ....	399/111
2007/0280730 A1 *	12/2007	Okabe et al. ....	399/111
2007/0286632 A1 *	12/2007	Okabe .....	399/90
2008/0031656 A1 *	2/2008	Okabe .....	399/241

\* cited by examiner

*Primary Examiner*—Caron Veynar

*Assistant Examiner*—Garth Rademaker

(74) *Attorney, Agent, or Firm*—Banner & Witcoff, Ltd.

(57) **CLAIM**

The ornamental design for a tray for printer cartridges, as shown and described.

**DESCRIPTION**

FIG. 1 is a right side elevational view of a tray for printer cartridges showing our new design;

FIG. 2 is a top plan view thereof;

FIG. 3 is a front elevation view thereof;

FIG. 4 is a rear elevational view thereof;

FIG. 5 is a left side elevational view thereof;

FIG. 6 is a bottom plan view thereof;

FIG. 7 is a top, rear, right side perspective view thereof;

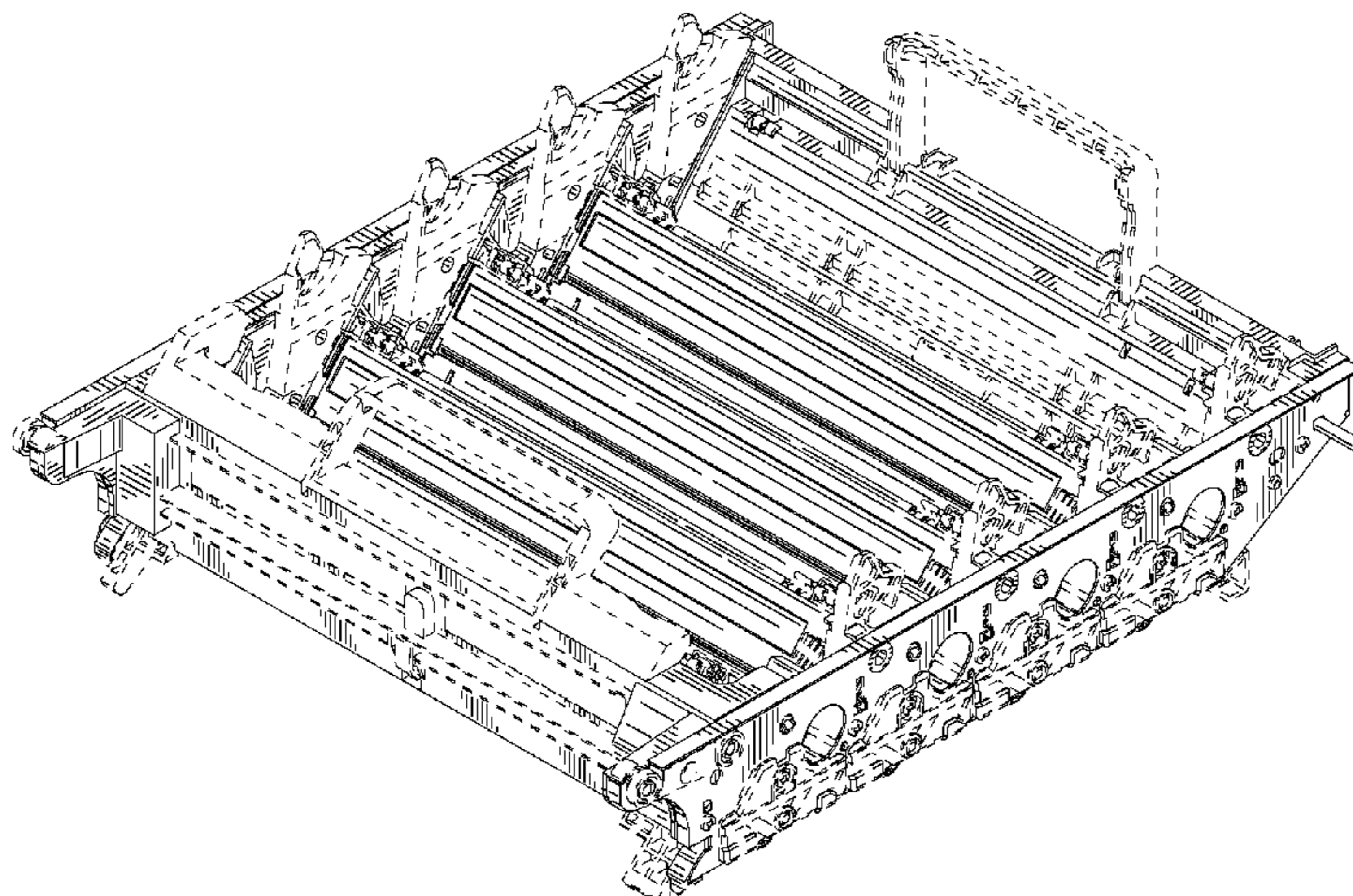
FIG. 8 is a bottom, front, left side perspective view thereof;

FIG. 9 is a top, rear, left side perspective view thereof; and,

FIG. 10 is a bottom, front, right side perspective view thereof.

The broken lines depict environmental subject matter only and form no part of the claimed design.

**1 Claim, 9 Drawing Sheets**



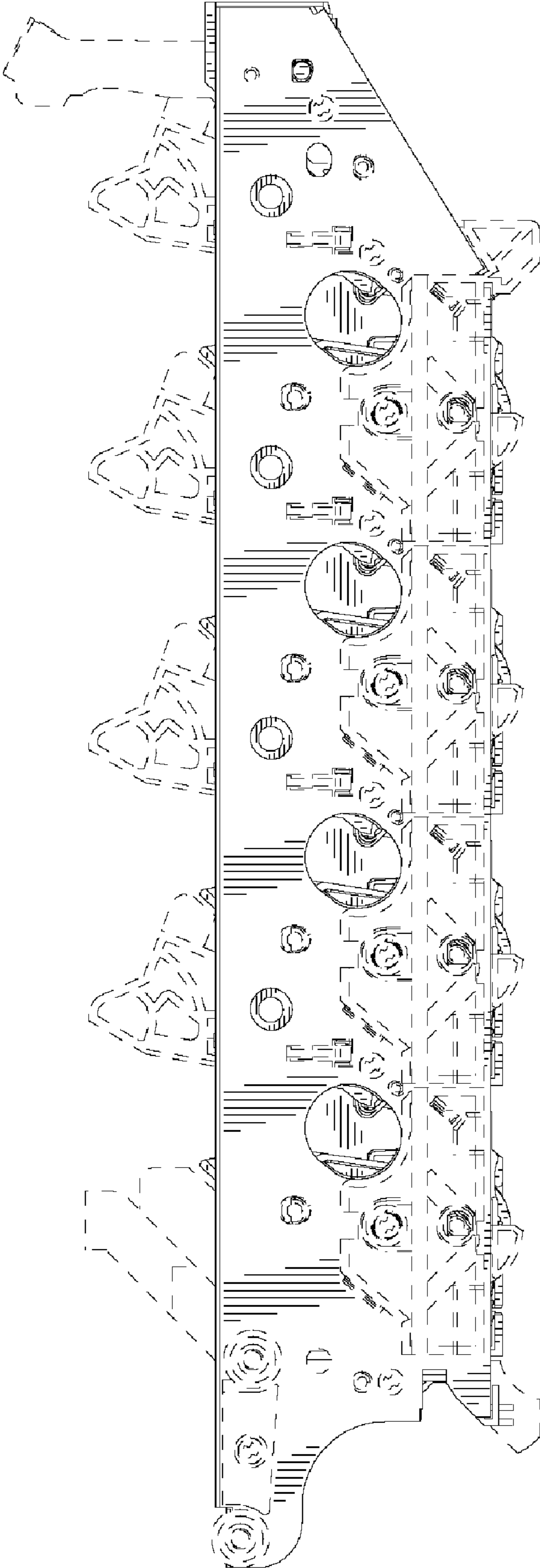


FIG. 1

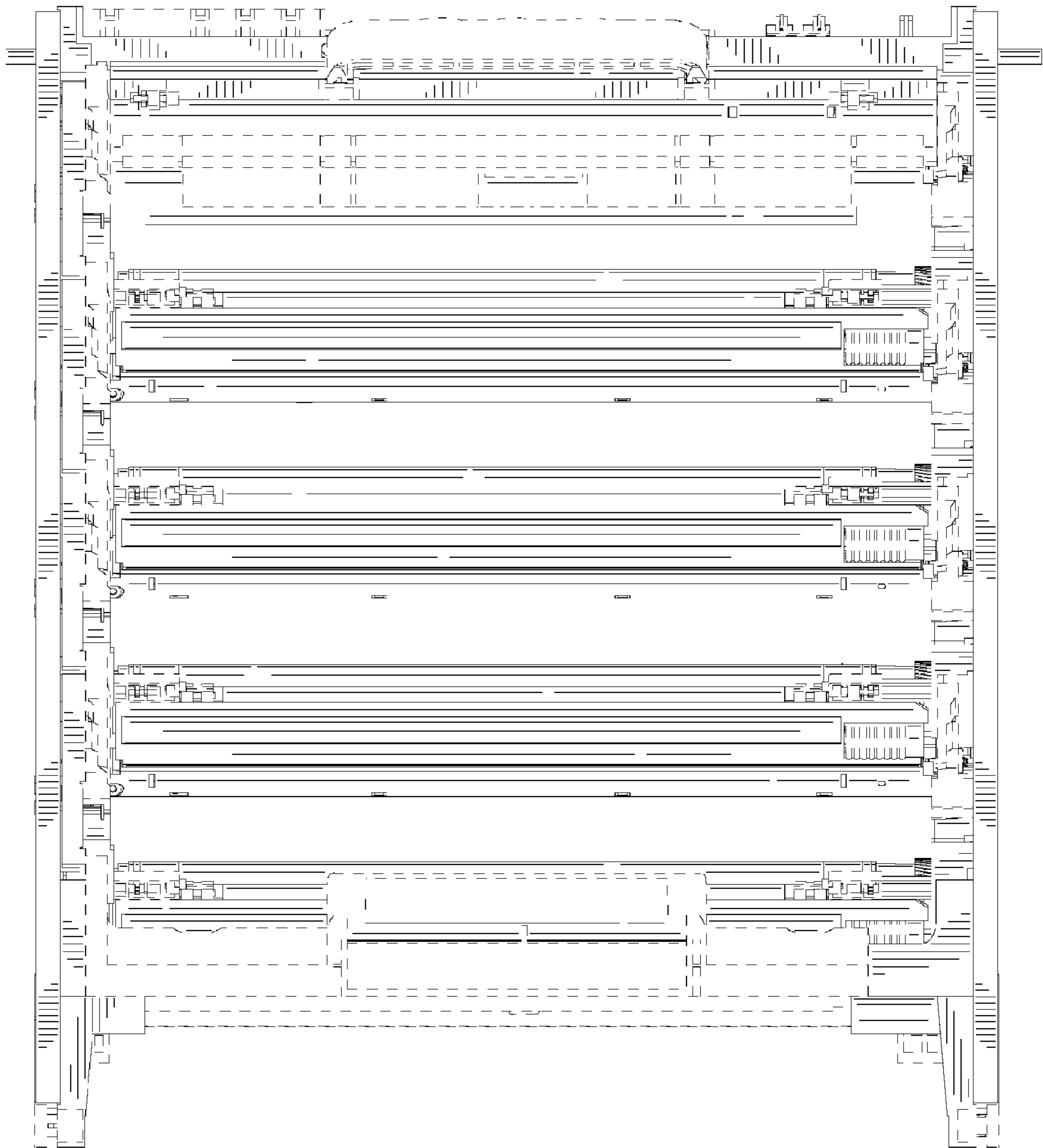


FIG. 2

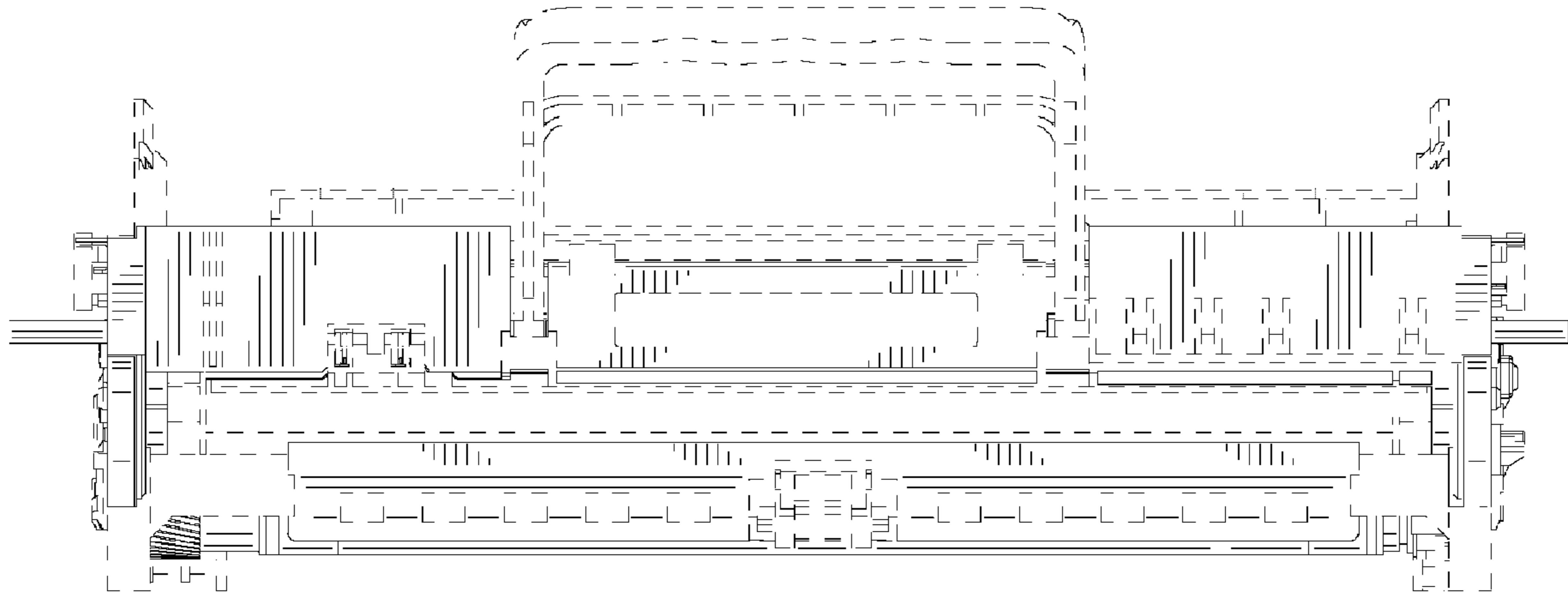


FIG. 3

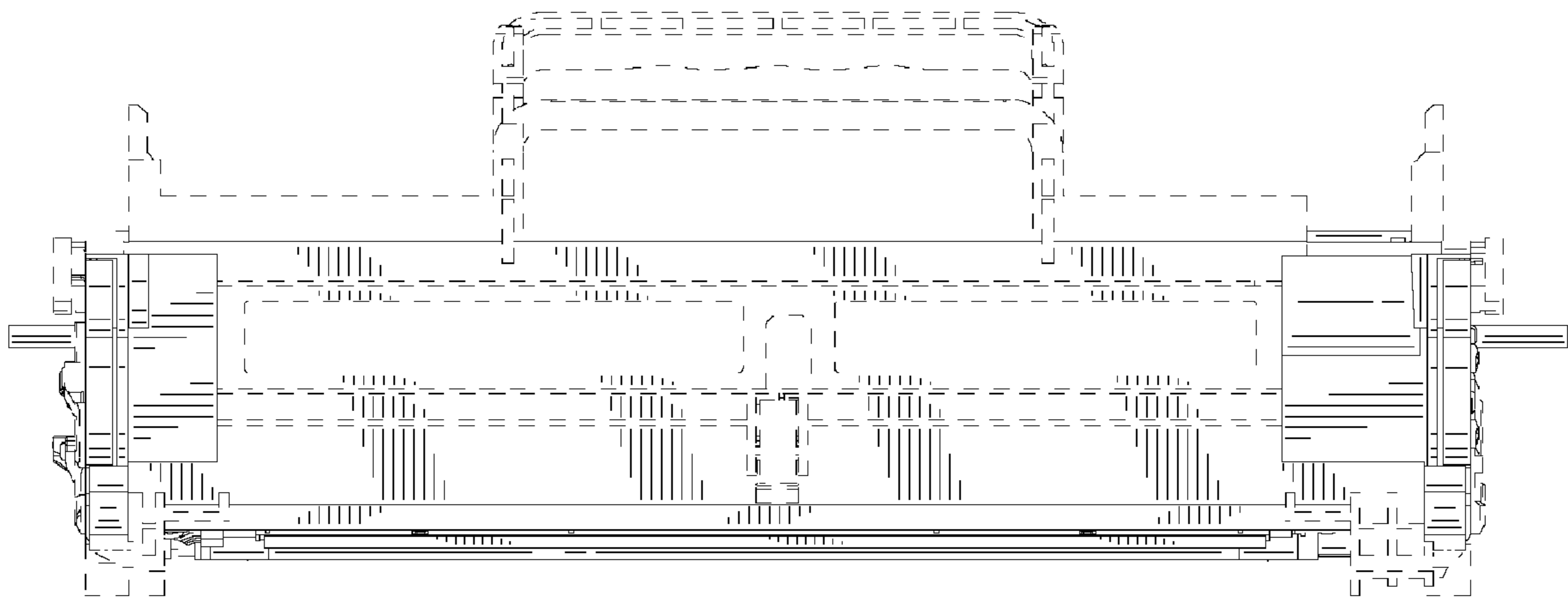


FIG. 4



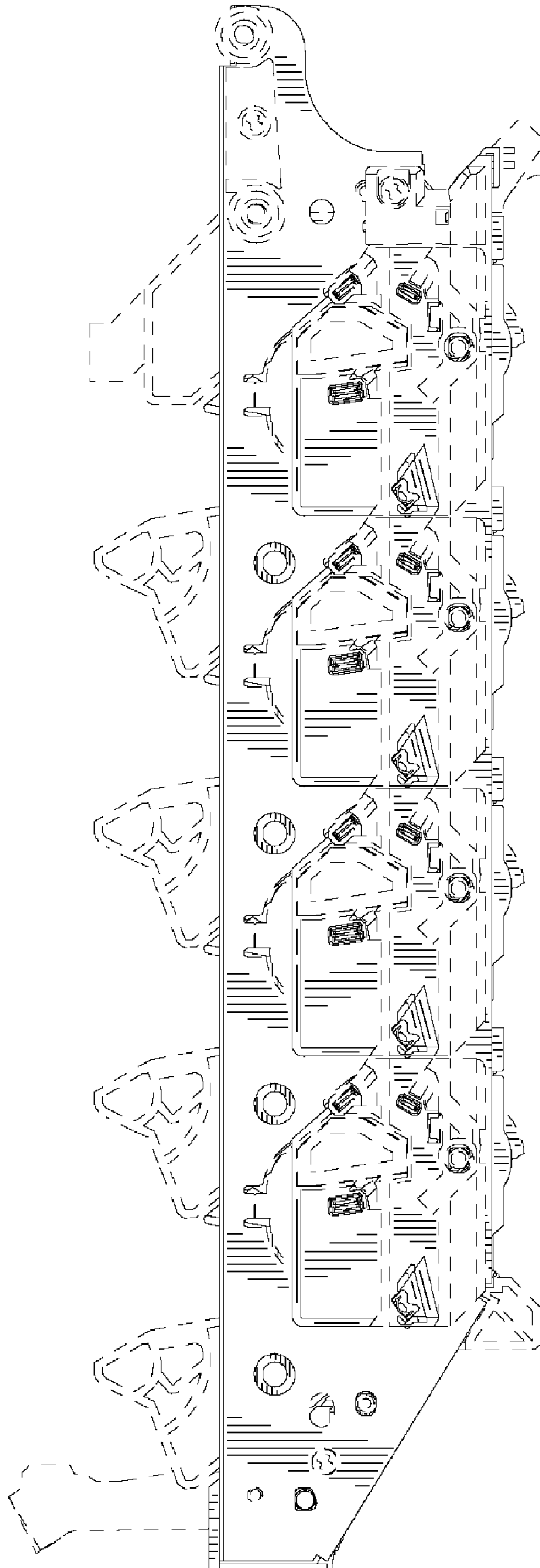


FIG. 5

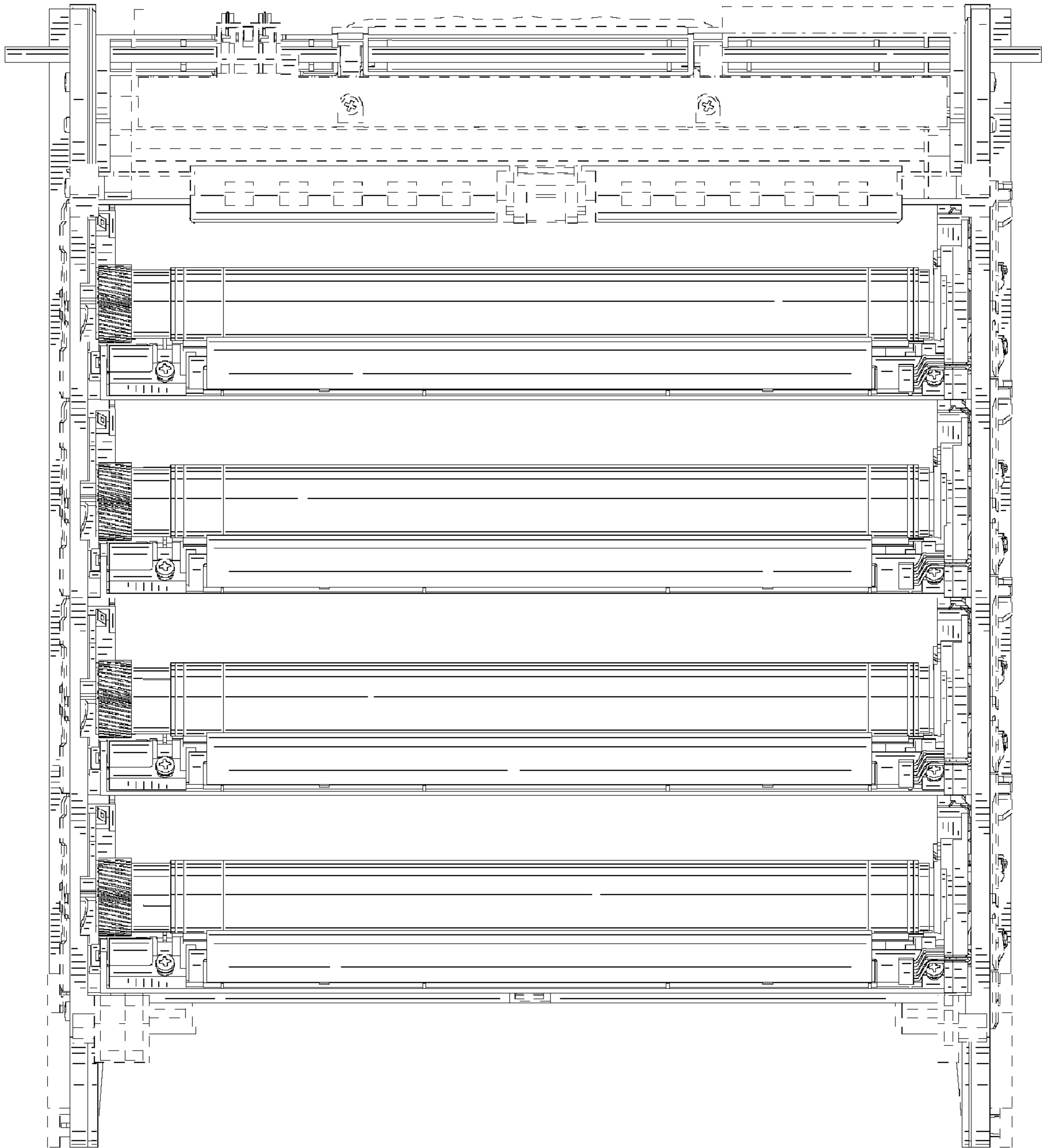


FIG. 6

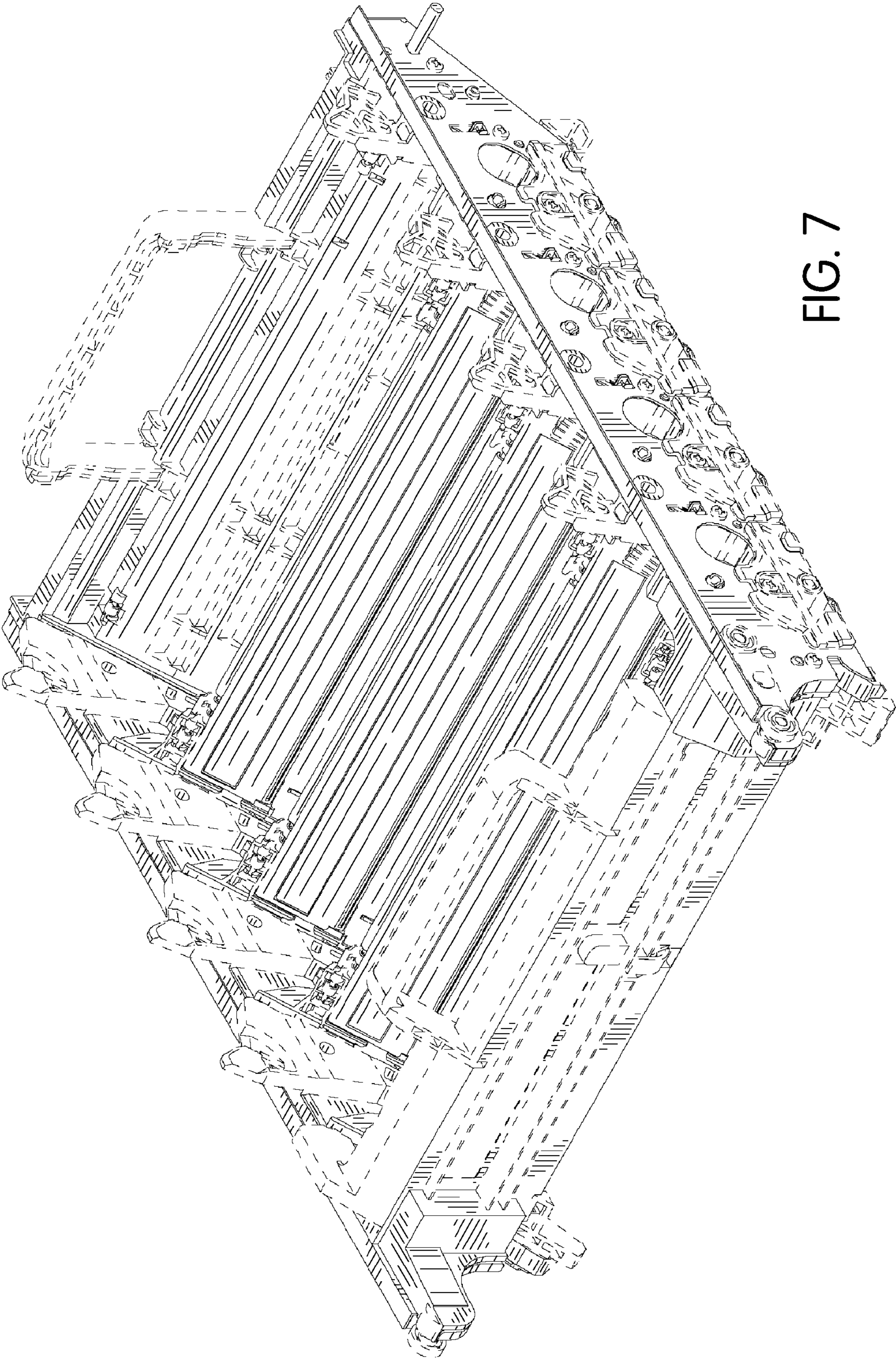


FIG. 7



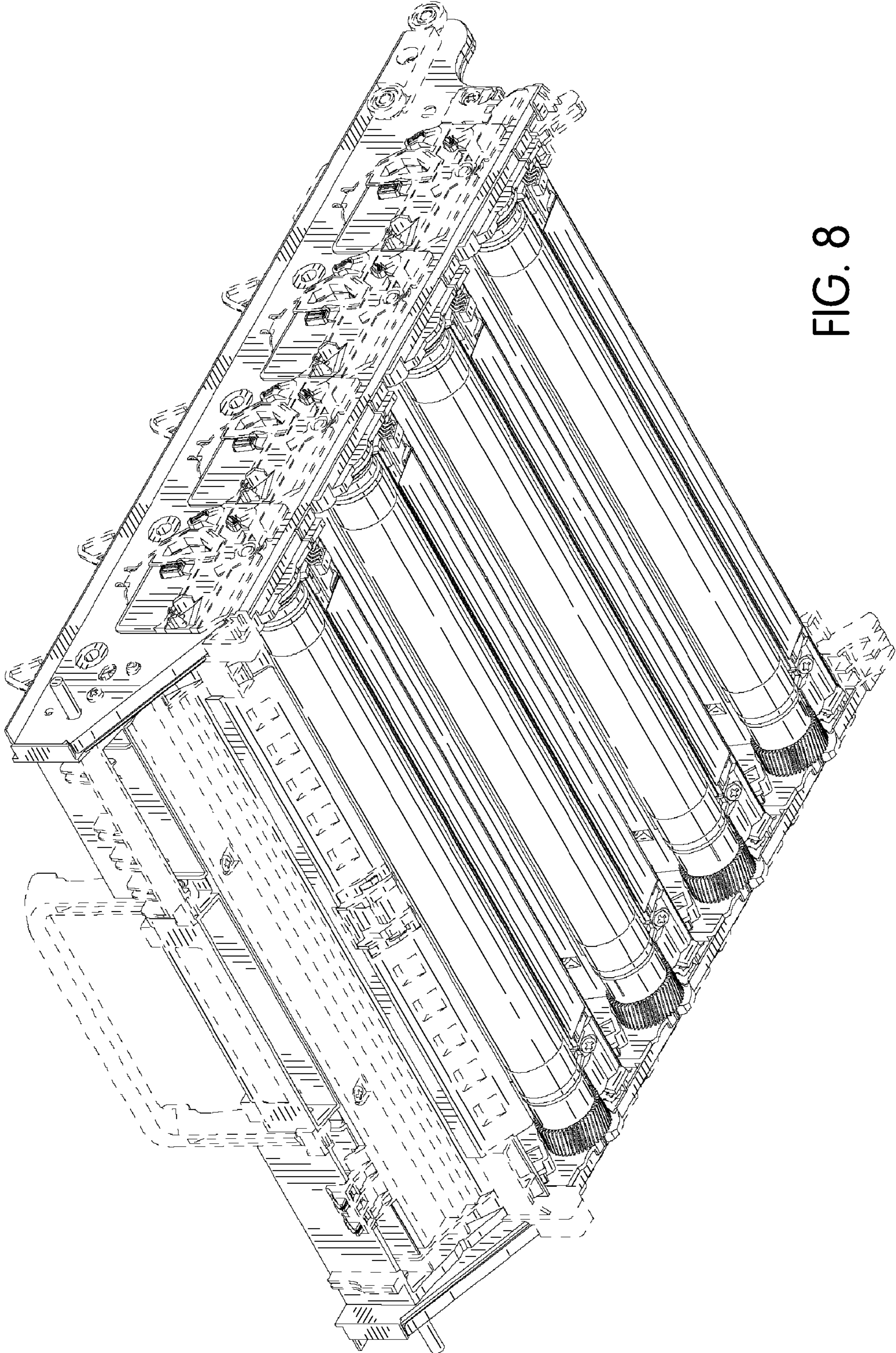


FIG. 8



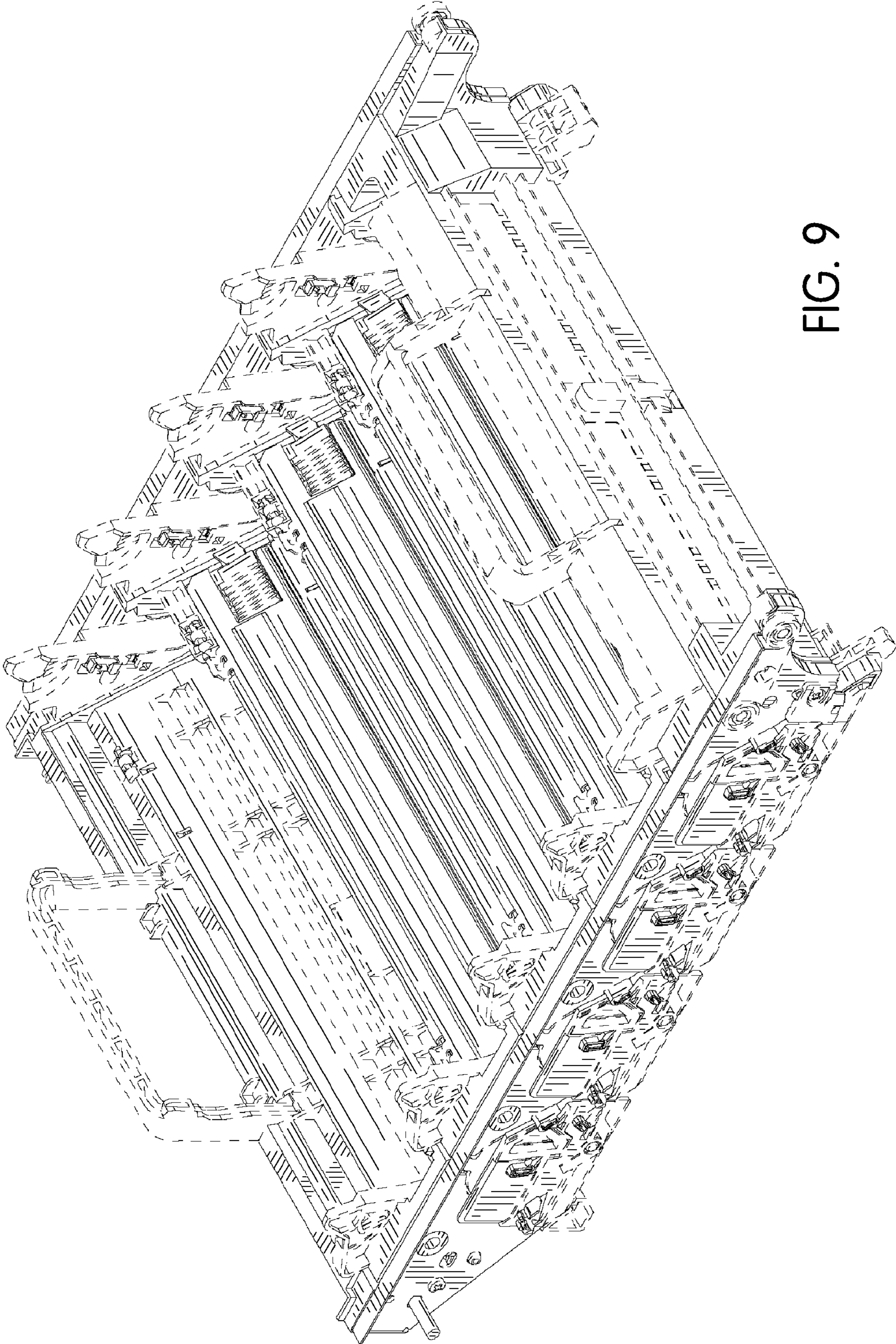


FIG. 9



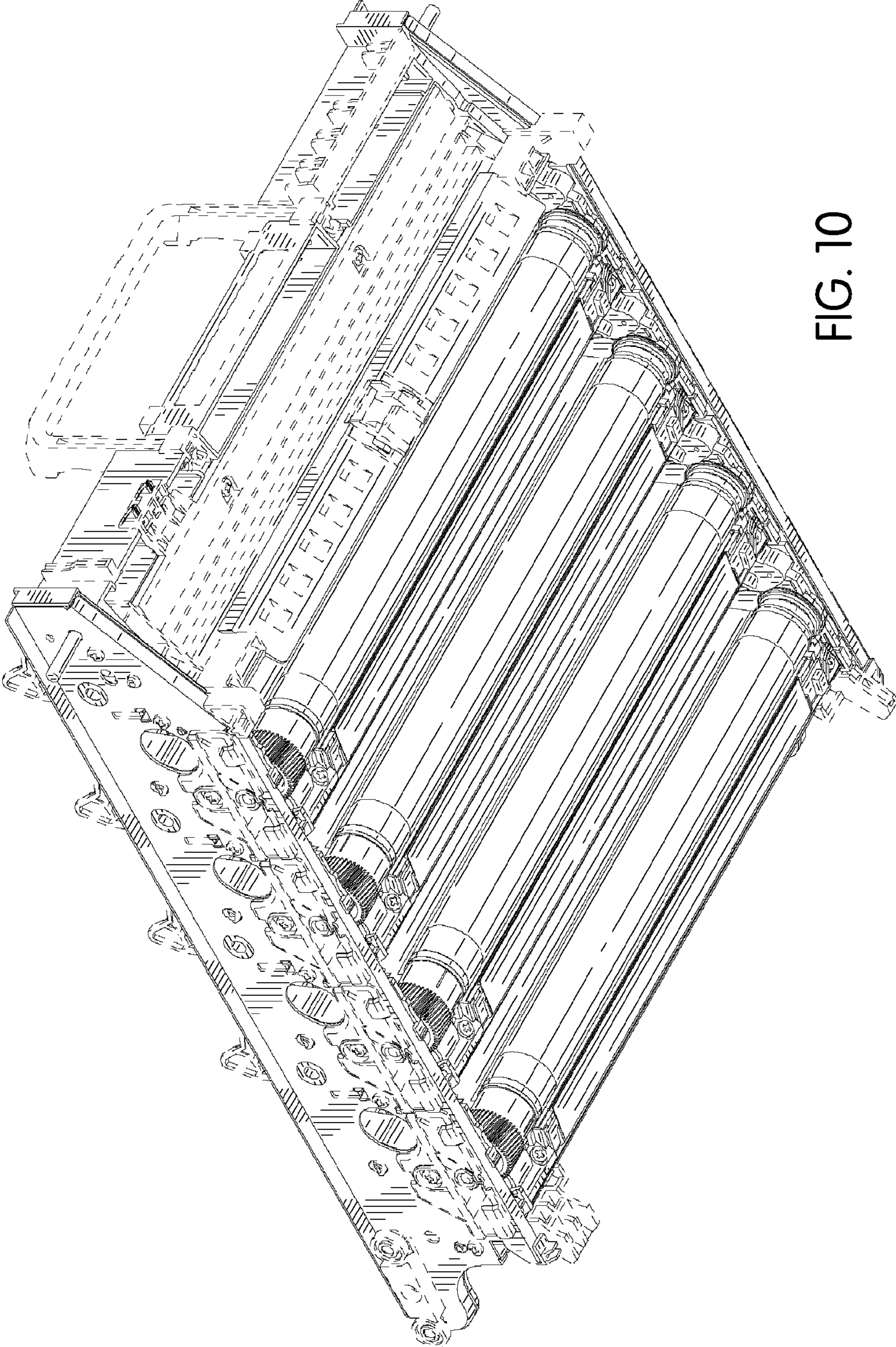


FIG. 10