



US00D588187S

(12) **United States Design Patent**
Shih

(10) **Patent No.:** **US D588,187 S**
(45) **Date of Patent:** **** Mar. 10, 2009**

(54) **STAMP**

(76) Inventor: **Shiny Shih**, No. 31, Lane 349,
Chungcheng S. Rd., Yungkang City,
Tainan Hsien (TW)

(**) Term: **14 Years**

(21) Appl. No.: **29/291,929**

(22) Filed: **Sep. 21, 2007**

(51) **LOC (9) Cl.** **19-02**

(52) **U.S. Cl.** **D18/15**

(58) **Field of Classification Search** D18/15,
D18/16, 17, 18, 50; 101/333, 334, 327, 328,
101/352.07, 405, 406; 118/264, 268
See application file for complete search history.

(56) **References Cited**

U.S. PATENT DOCUMENTS

D101,469 S *	10/1936	Melid	D18/15
D101,470 S *	10/1936	Melind	D18/15
D400,566 S *	11/1998	Schreiberhuber	D18/15
D417,464 S *	12/1999	Skopek	D18/15
7,024,994 B2 *	4/2006	Dour	101/333

D538,328 S *	3/2007	Faber	D18/15
D540,848 S *	4/2007	Faber	D18/15
D542,335 S *	5/2007	Faber	D18/15
D542,835 S *	5/2007	Faber	D18/15

* cited by examiner

Primary Examiner—Charles A Rademaker

(74) *Attorney, Agent, or Firm*—William E. Pelton, Esq.;
Cooper & Dunham LLP

(57) **CLAIM**

The ornamental design for a stamp, as shown and described.

DESCRIPTION

FIG. 1 is a perspective view of a stamp showing my new design;

FIG. 2 is a front view thereof;

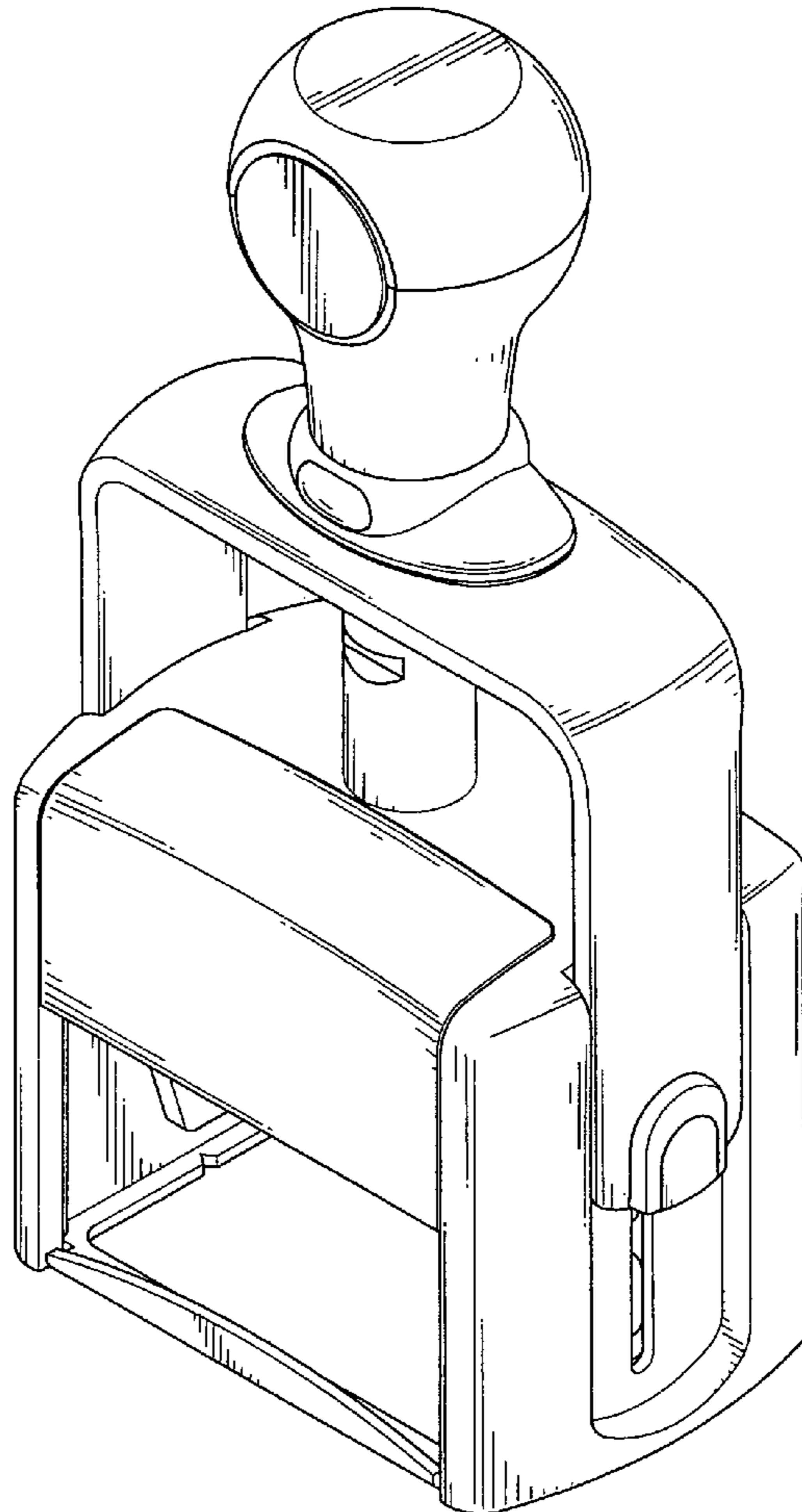
FIG. 3 is a rear view thereof;

FIG. 4 is a left view thereof;

FIG. 5 is a right view thereof; and,

FIG. 6 is a top view thereof.

1 Claim, 5 Drawing Sheets



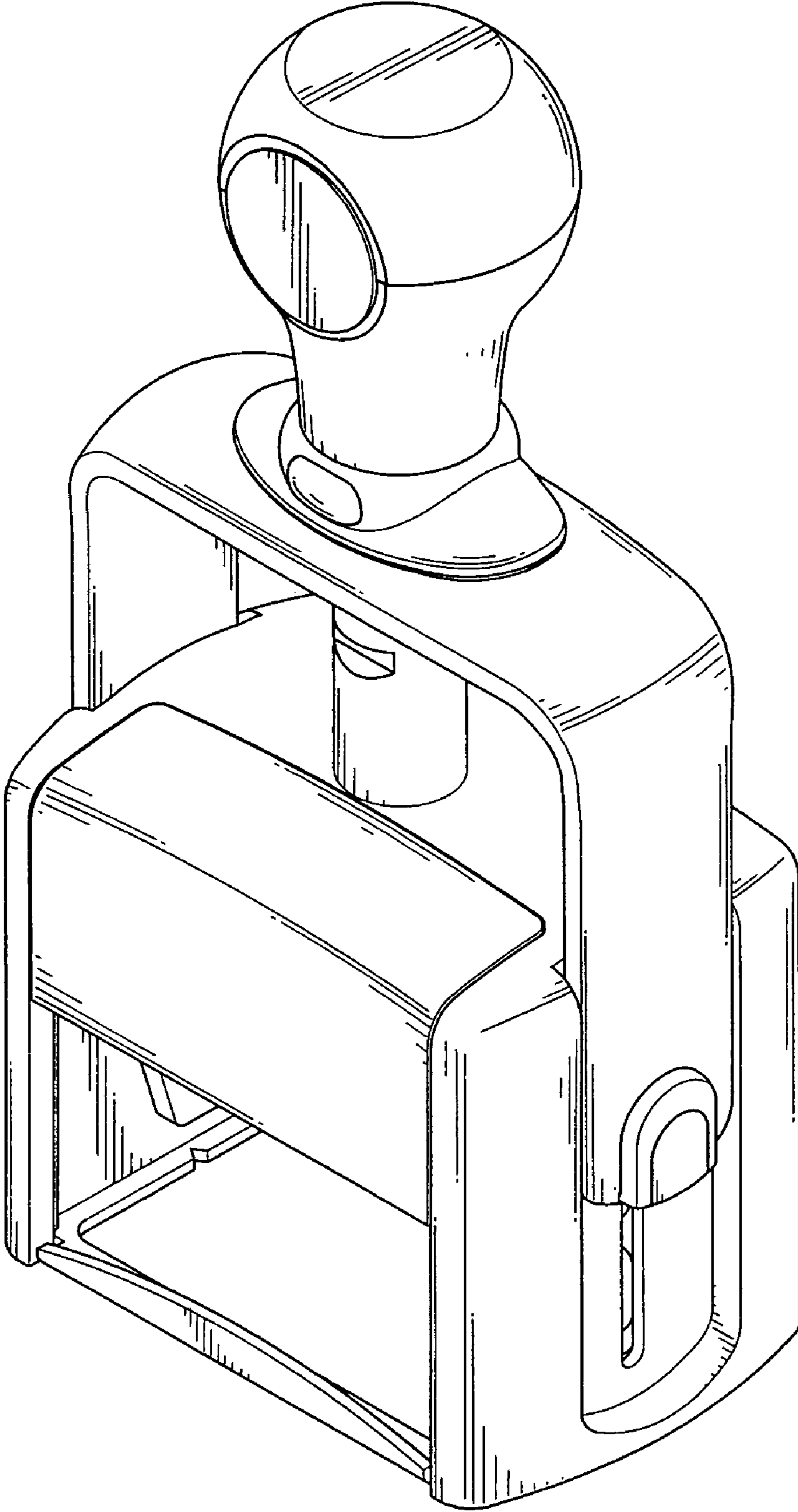


FIG. 1

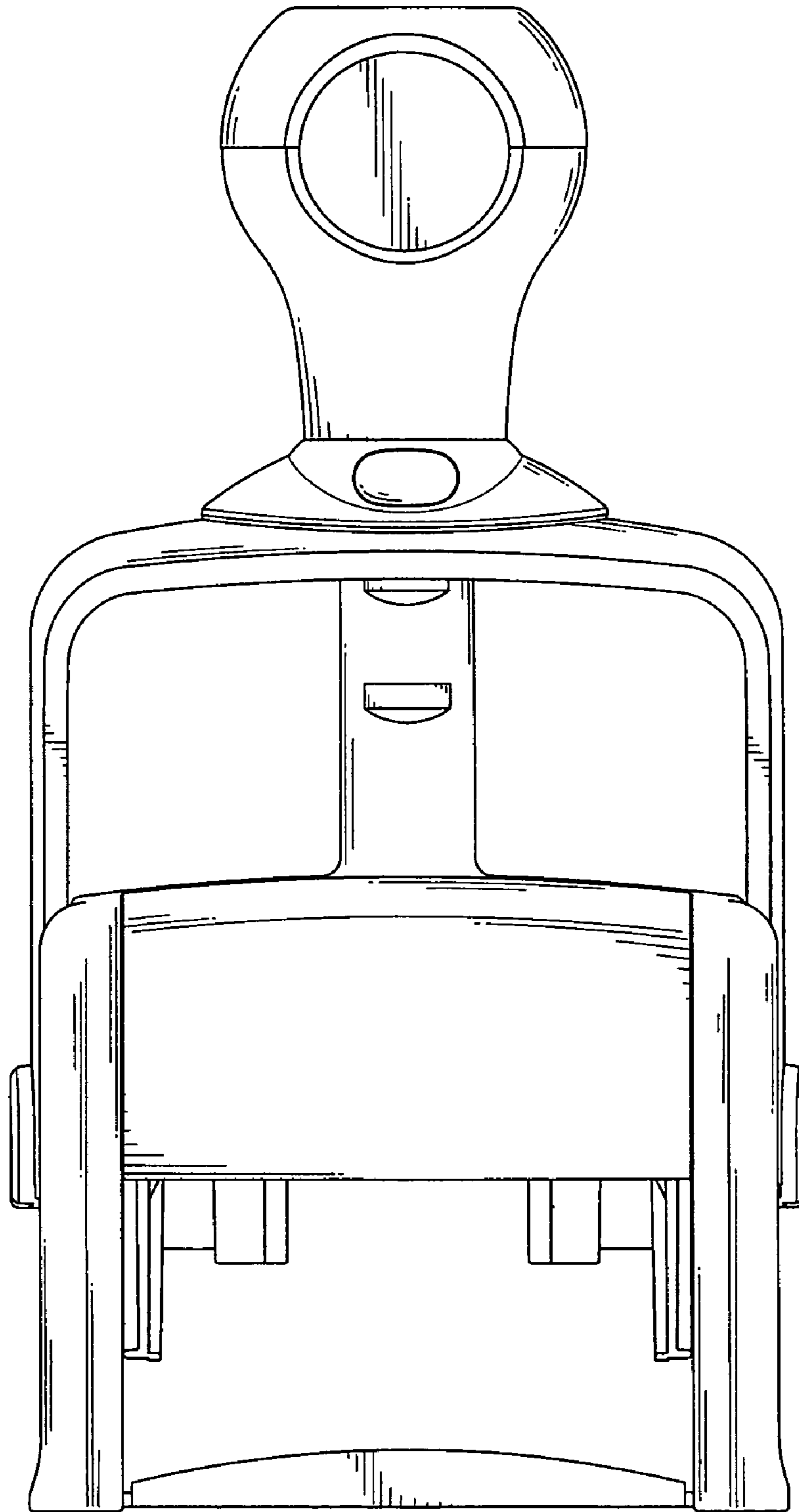


FIG.2

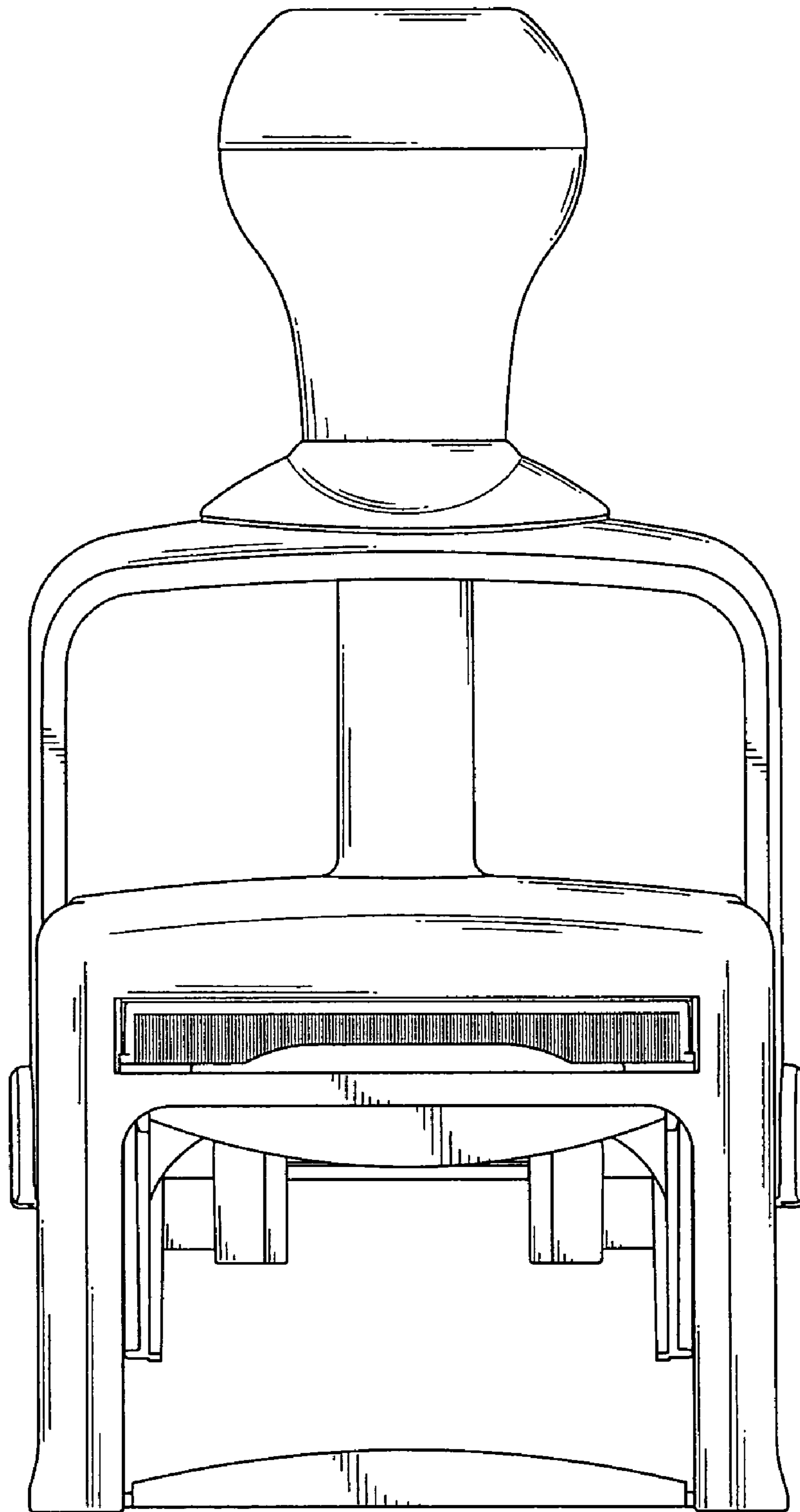


FIG. 3

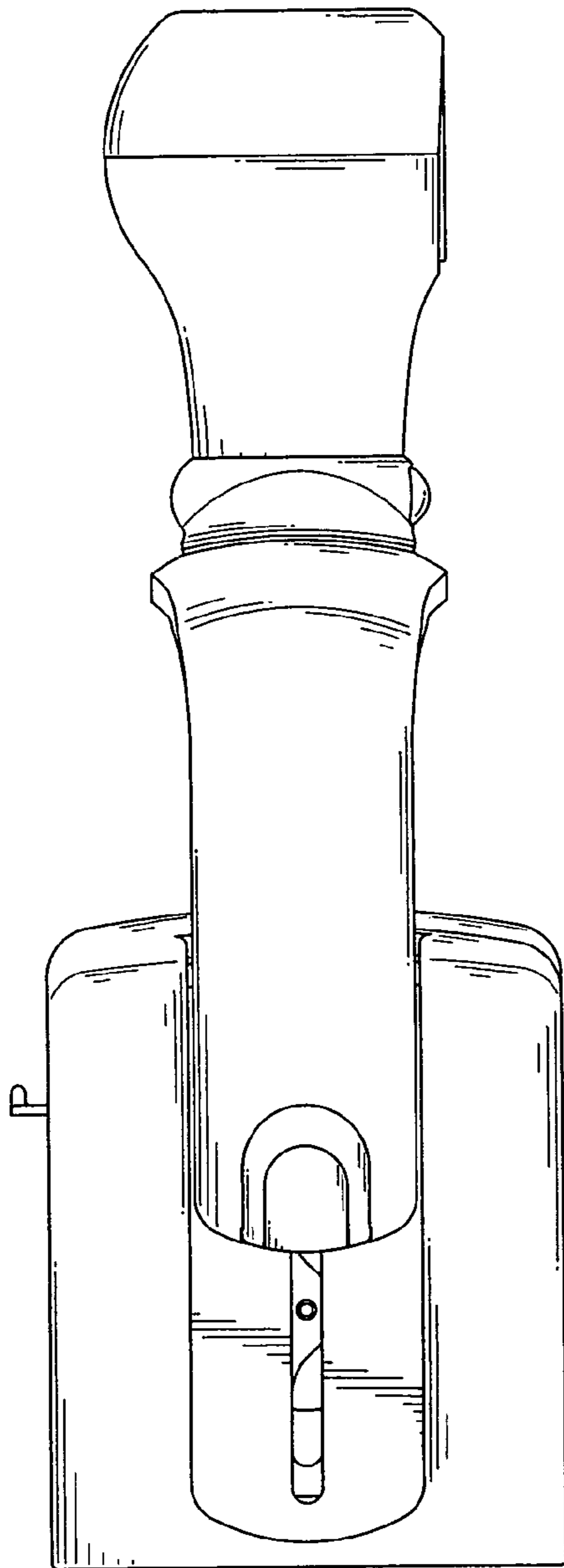


FIG. 4

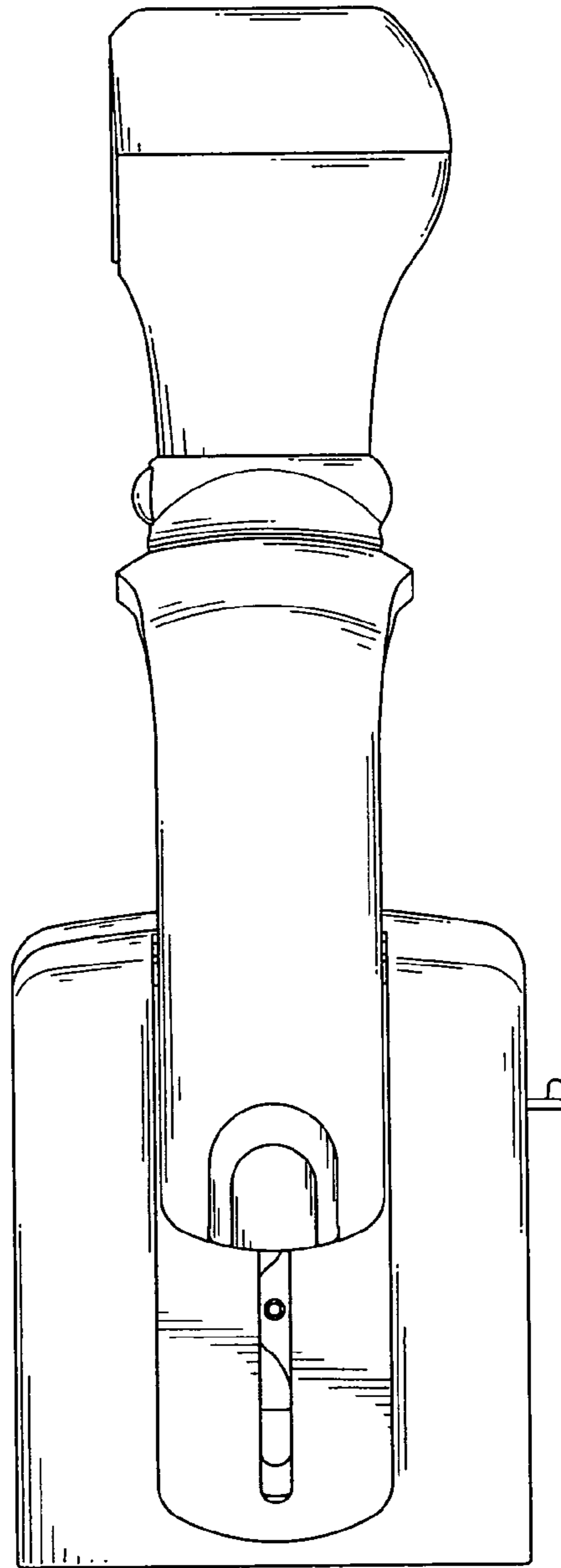


FIG. 5

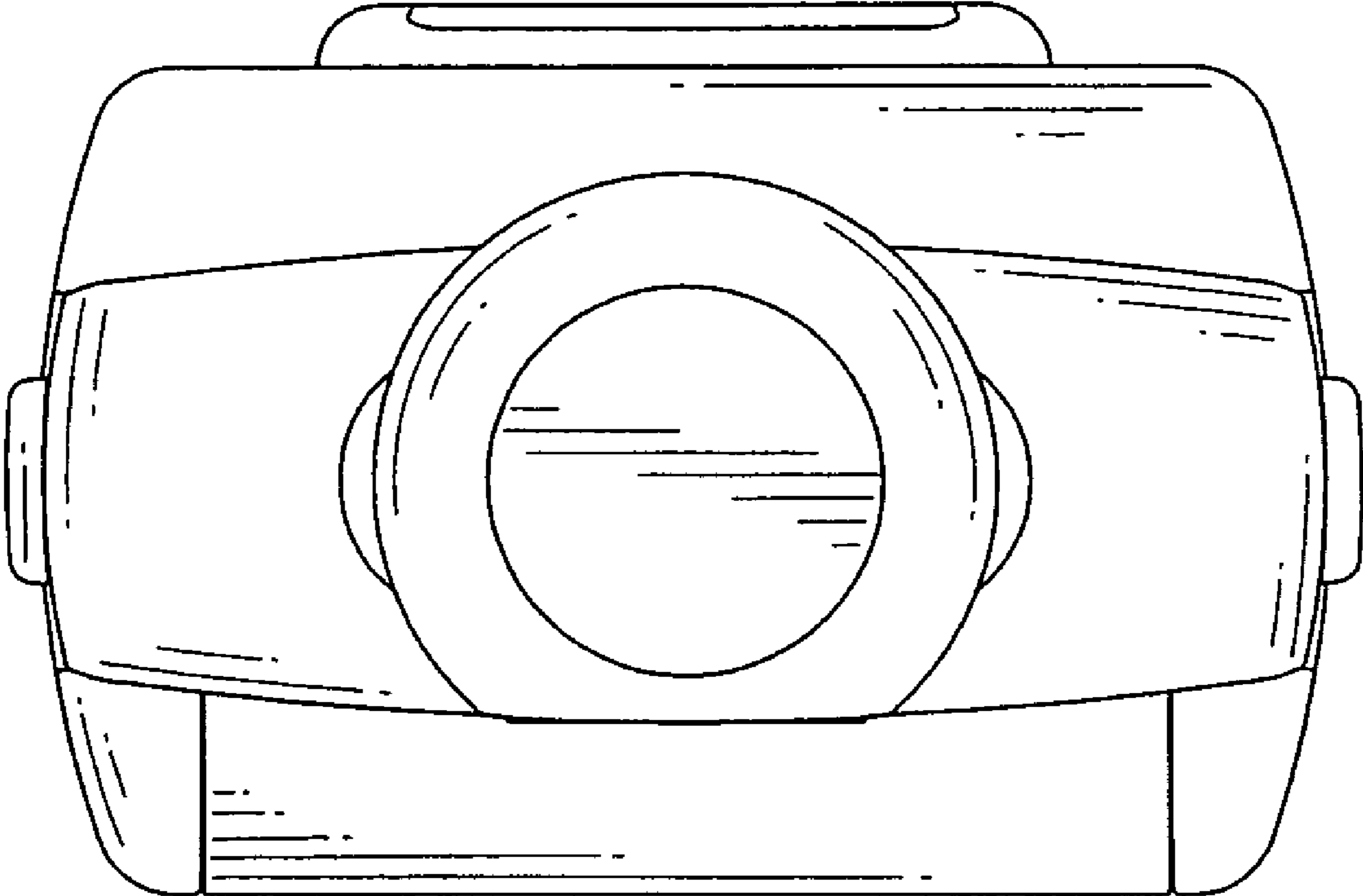


FIG.6