



US00D588186S

(12) **United States Design Patent**
Yamakawa

(10) **Patent No.:** **US D588,186 S**
(45) **Date of Patent:** **** Mar. 10, 2009**

(54) **CASH REGISTER**

(75) Inventor: **Yasuki Yamakawa**, Kadoma (JP)

(73) Assignee: **Panasonic Corporation**, Osaka (JP)

(**) Term: **14 Years**

(21) Appl. No.: **29/298,444**

(22) Filed: **Dec. 5, 2007**

(30) **Foreign Application Priority Data**

Jun. 6, 2007 (JP) 2007-015079

(51) **LOC (9) Cl.** **18-01**

(52) **U.S. Cl.** **D18/4.5**

(58) **Field of Classification Search** D14/315,
D14/316, 336, 371, 373-376; D18/3.1, 3.2,
D18/3.3, 4.1, 4.2, 4.3, 4.4, 4.5, 4.6, 6, 12,
D18/12.1, 12.2, 12.3; D21/324, 329-332,
D21/521; D99/28, 34, 35, 43; 235/1 E, 6,
235/7 R, 33, 50 A, 50 B, 50 R, 51, 52, 379,
235/386; 705/12, 15-18, 43

See application file for complete search history.

(56) **References Cited**

U.S. PATENT DOCUMENTS

D129,765 S * 9/1941 Lauder et al. D18/1
D345,966 S * 4/1994 Perez D18/4.5
D433,701 S * 11/2000 Chiu D18/4.6
D474,228 S 5/2003 Katou et al.

D486,827 S * 2/2004 Detallante D18/4.5
D492,718 S 7/2004 Ookushi et al.
D496,682 S 9/2004 Ookushi et al.
D525,282 S * 7/2006 Barnes et al. D18/4.5
D526,002 S 8/2006 Nakajima et al.
D528,585 S * 9/2006 Ono D18/4.5
D569,898 S * 5/2008 Masuda D18/4.5

* cited by examiner

Primary Examiner—Caron Veynar

Assistant Examiner—Garth Rademaker

(74) *Attorney, Agent, or Firm*—Brinks Hofer Gilson & Lione

(57) **CLAIM**

I claim the ornamental design for a cash register, as shown and described.

DESCRIPTION

FIG. 1 is a front perspective view of a cash register of the present invention;

FIG. 2 is a front view thereof;

FIG. 3 is a top view thereof;

FIG. 4 is a rear view thereof;

FIG. 5 is a right side view thereof, the left side view being a mirror image thereof; and,

FIG. 6 is a bottom view thereof.

The broken lines depict environmental subject matter only and form no part of the claimed design.

1 Claim, 6 Drawing Sheets

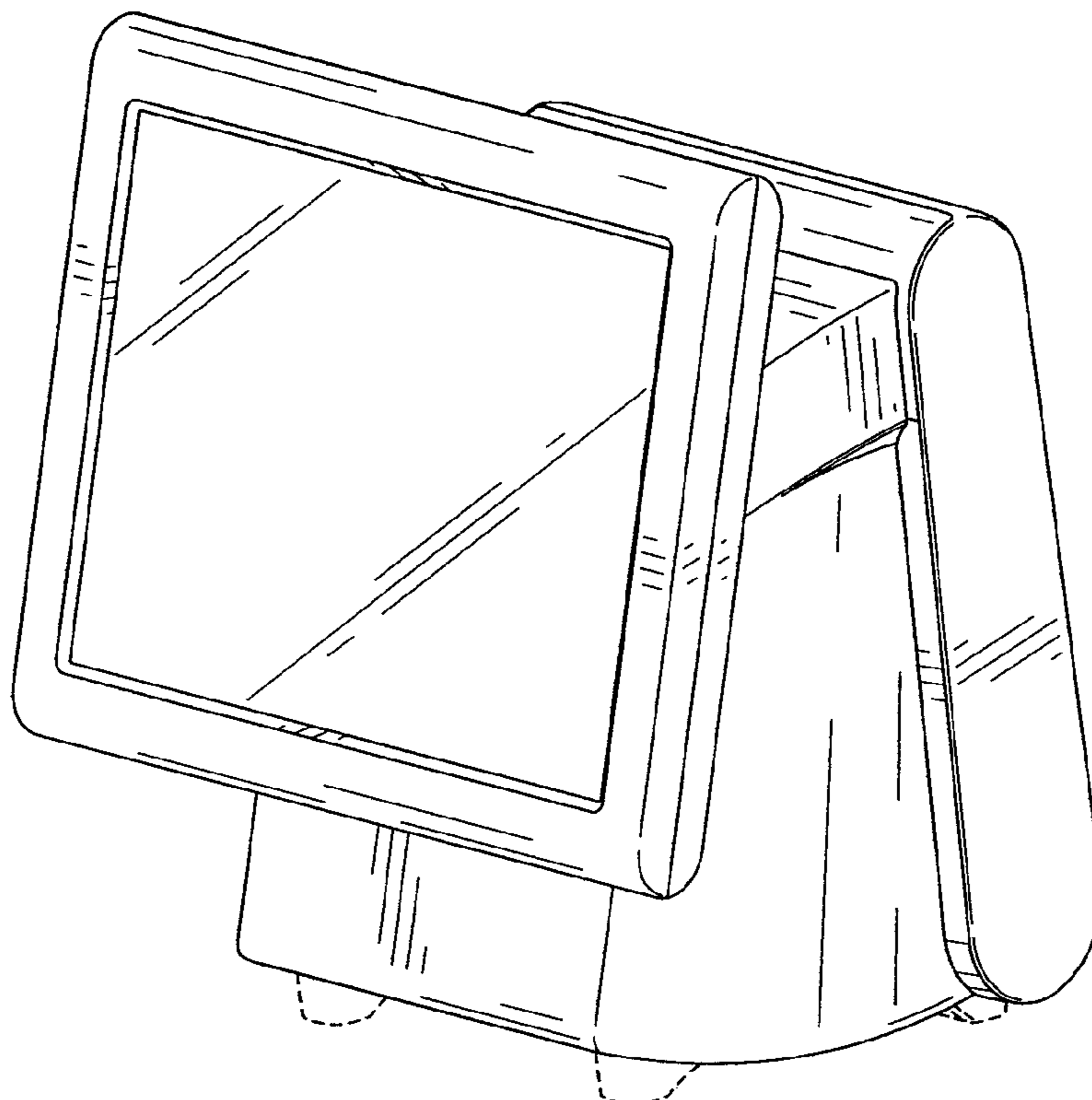


FIG.1

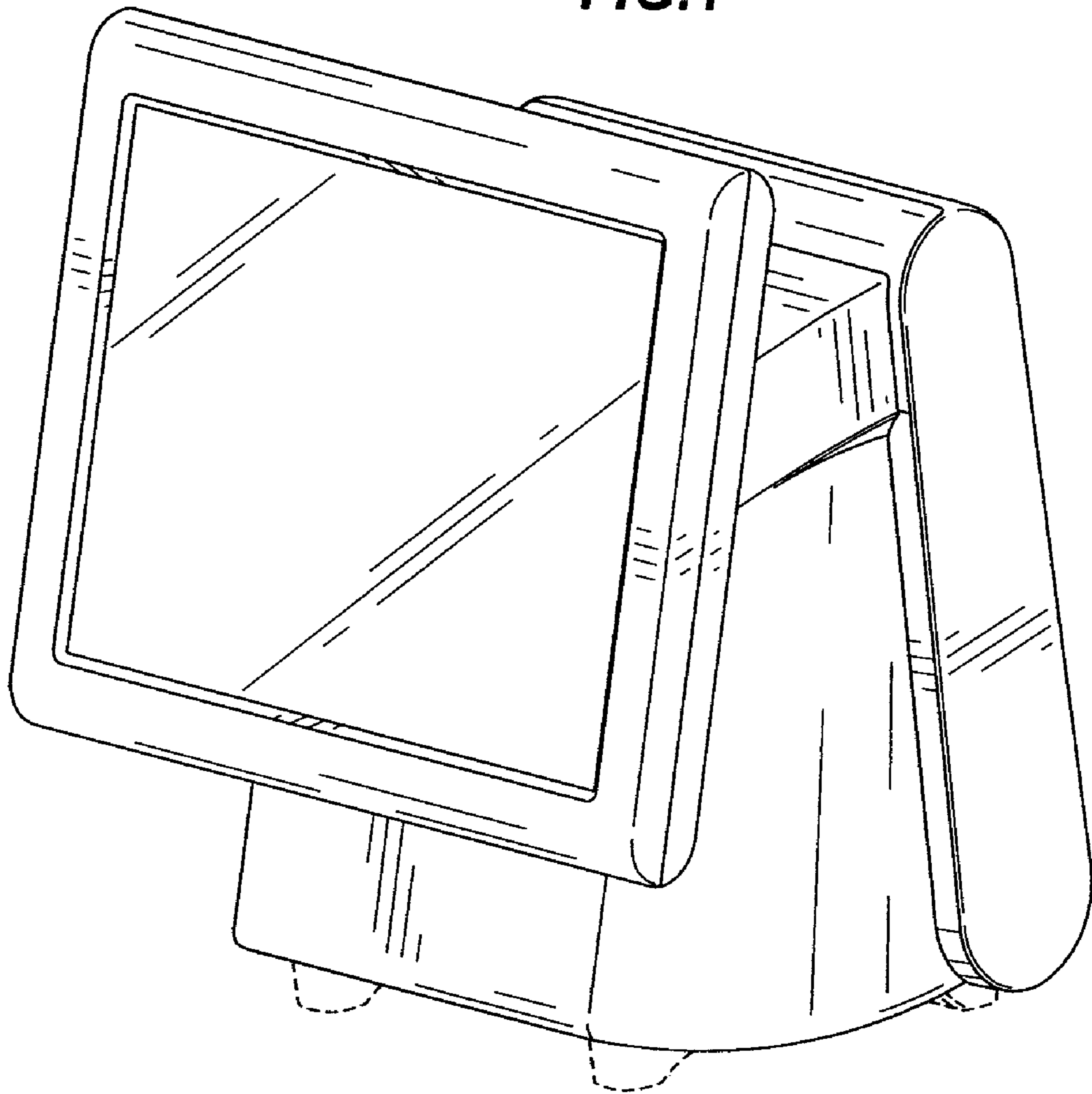


FIG. 2

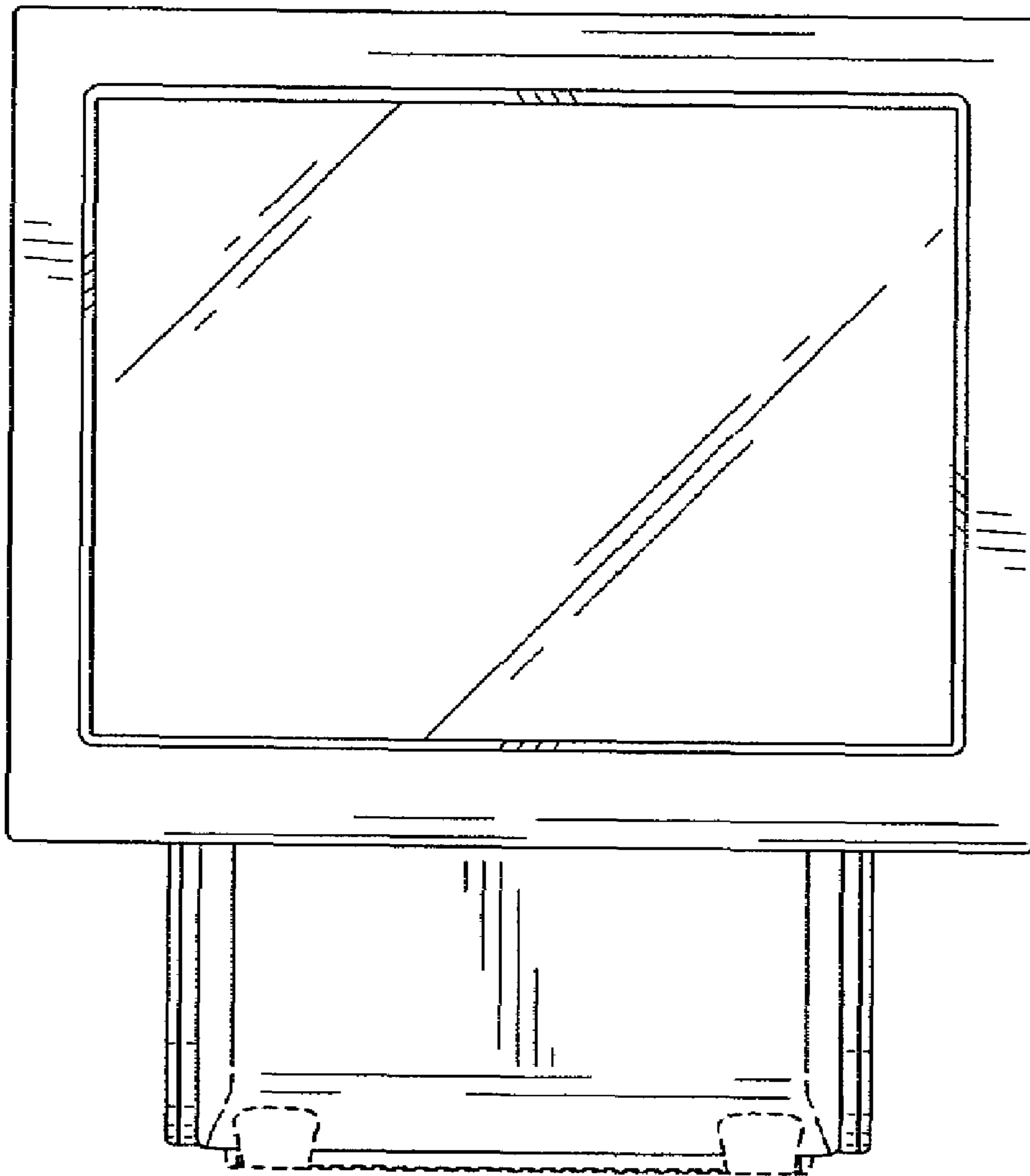


FIG.3

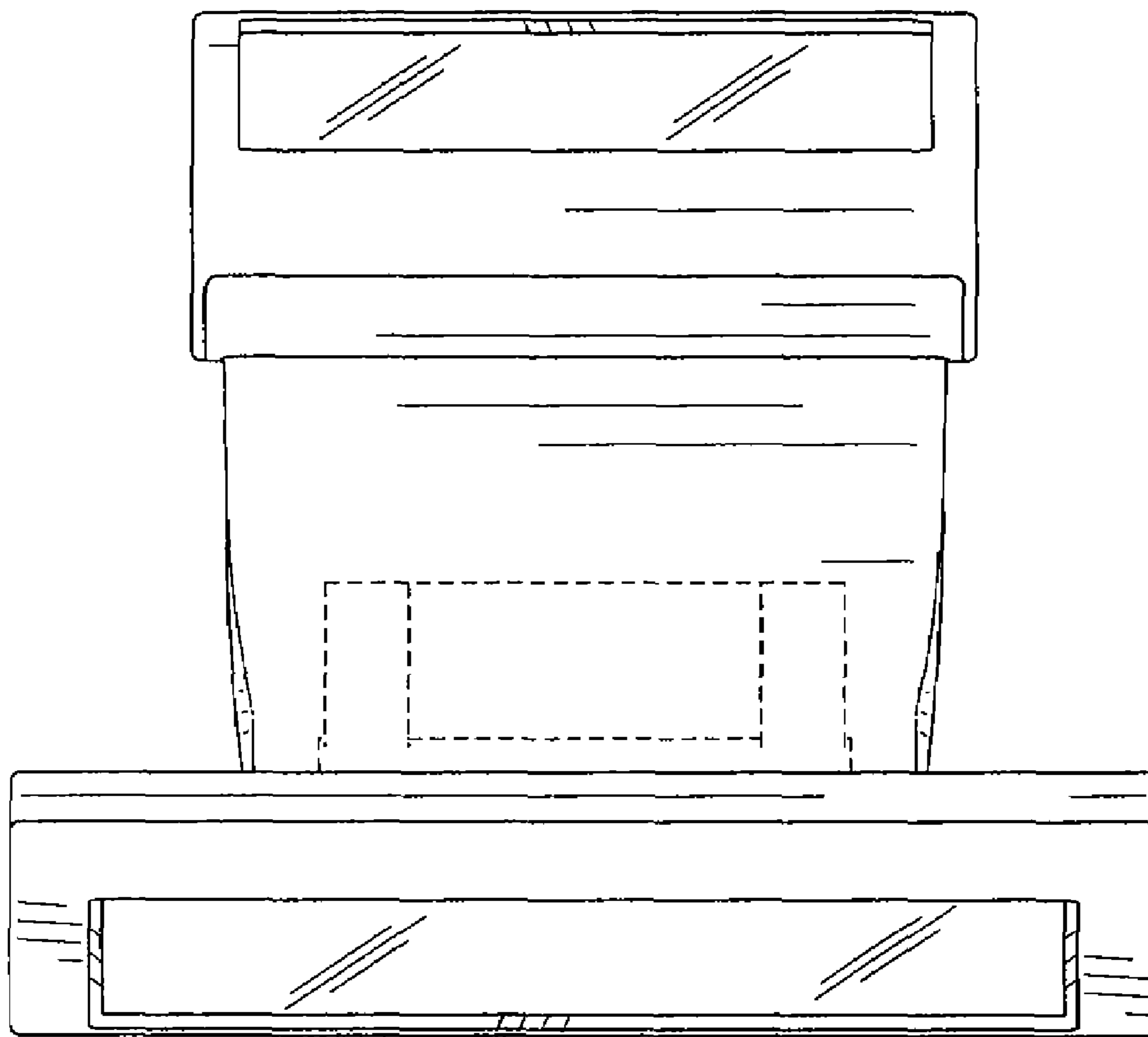


FIG.4

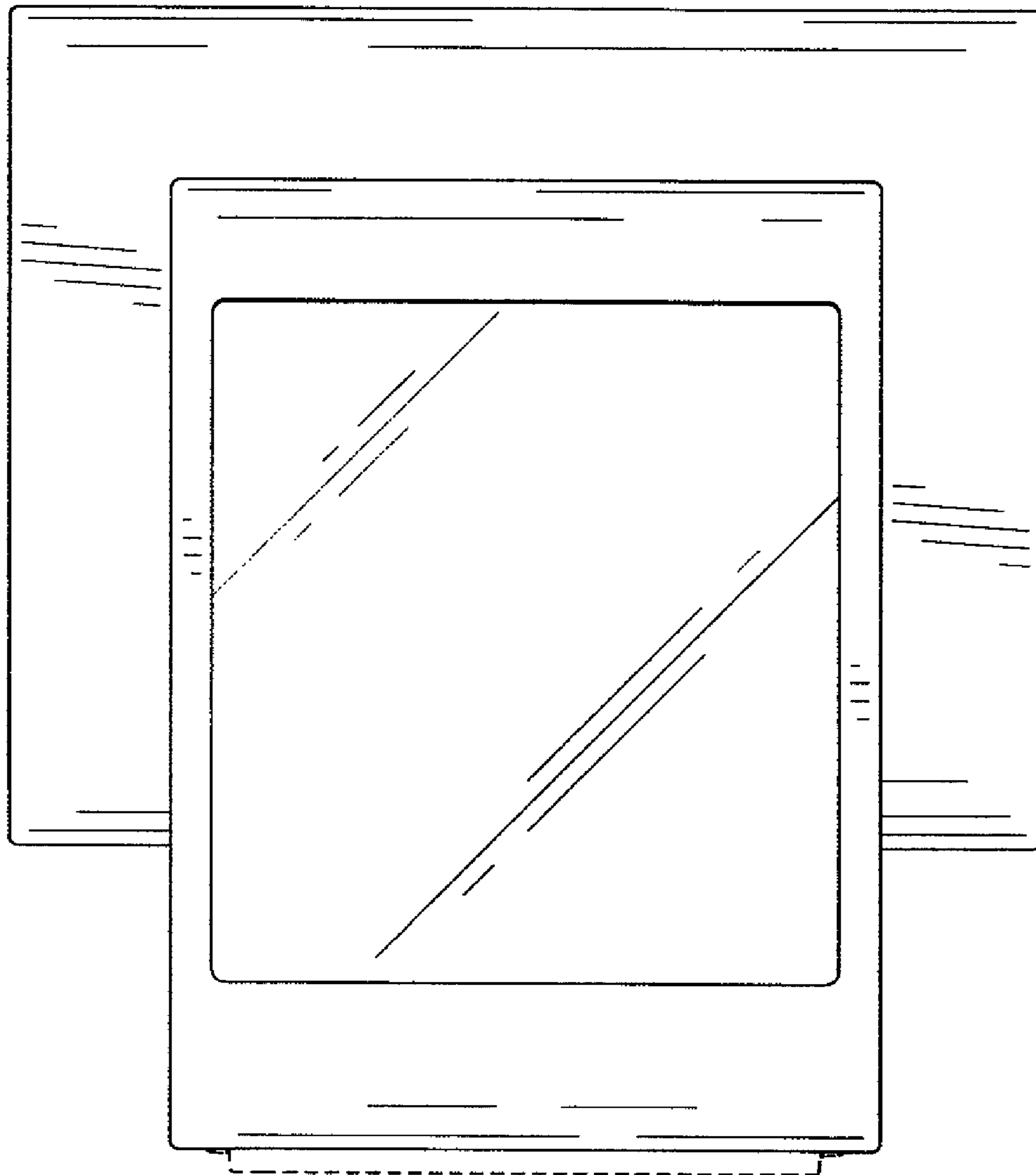


FIG.5

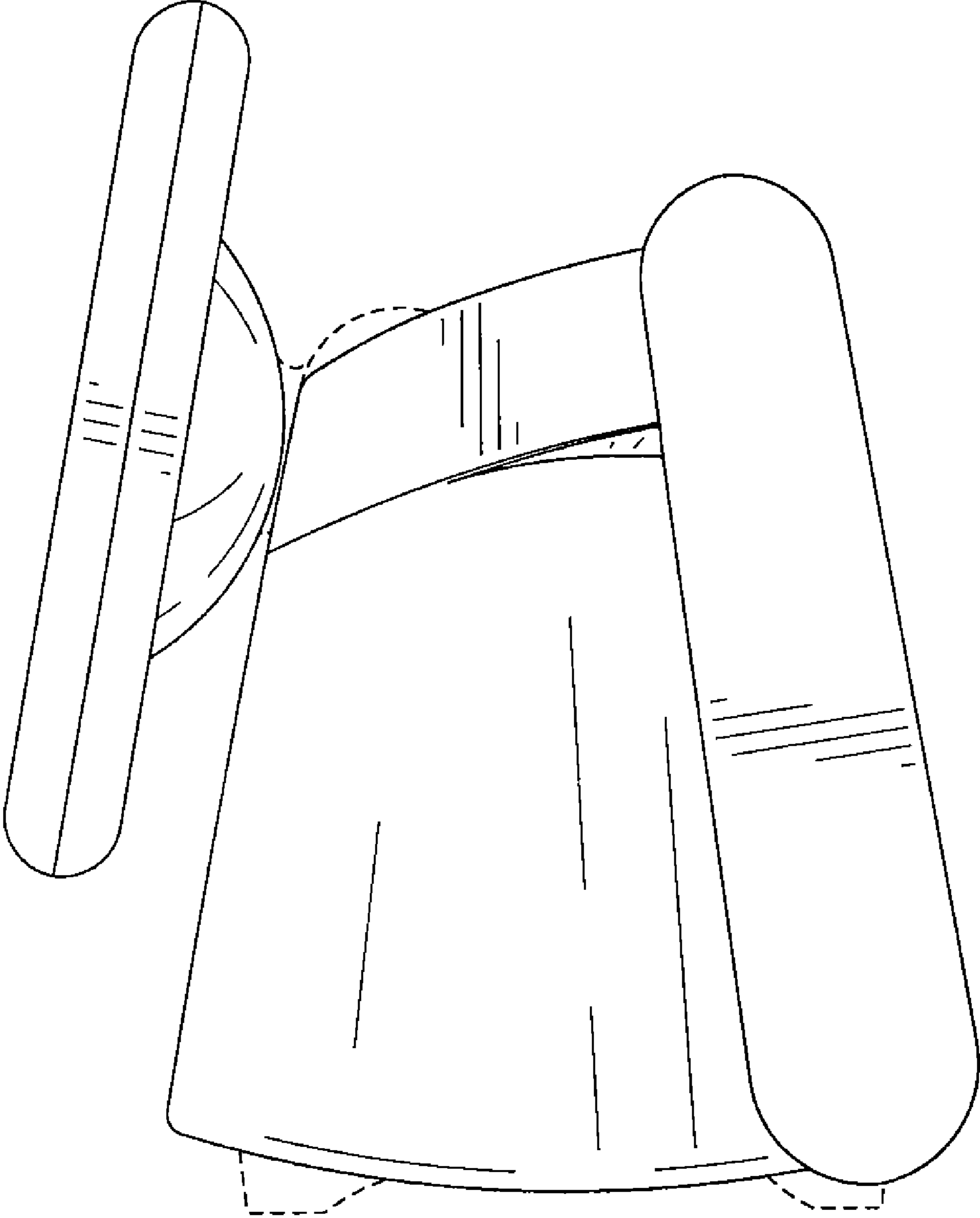


FIG.6

