



US00D588176S

(12) **United States Design Patent**
Tanifuji et al.

(10) **Patent No.:** **US D588,176 S**
(45) **Date of Patent:** **** Mar. 10, 2009**

(54) **VIDEO CAMERA WITH HARD DISC RECORDER**

D576,189 S * 9/2008 Shimizu et al. D16/202
2007/0153120 A1 * 7/2007 Kajikawa et al. 348/373

(75) Inventors: **Shuji Tanifuji**, Kanagawa (JP); **Eiichiro Hayashi**, Kanagawa (JP)

FOREIGN PATENT DOCUMENTS

JP D1067168 * 4/2000

(73) Assignee: **Victor Company of Japan, Limited**, Kanagawa (JP)

* cited by examiner

(**) Term: **14 Years**

Primary Examiner—Adir Aronovich
(74) *Attorney, Agent, or Firm*—Osha • Liang LLP

(21) Appl. No.: **29/301,439**

(57) **CLAIM**

(22) Filed: **Feb. 29, 2008**

The ornamental design for a video camera with hard disc recorder, as shown and described.

(30) **Foreign Application Priority Data**

DESCRIPTION

Sep. 3, 2007 (JP) 2007-023915

FIG. 1 is a perspective view of the front, right and top of a video camera with hard disc recorder showing our new design;

(51) **LOC (9) Cl.** **16-01**

(52) **U.S. Cl.** **D16/202**

(58) **Field of Classification Search** D16/200–205, D16/208, 218; 348/373–376; 358/906; 396/535–541
See application file for complete search history.

FIG. 2 is a front view thereof;

FIG. 3 is a rear view thereof;

FIG. 4 is a top plan view thereof;

FIG. 5 is a bottom view thereof;

FIG. 6 is a left side view thereof; and,

FIG. 7 is a right side view thereof.

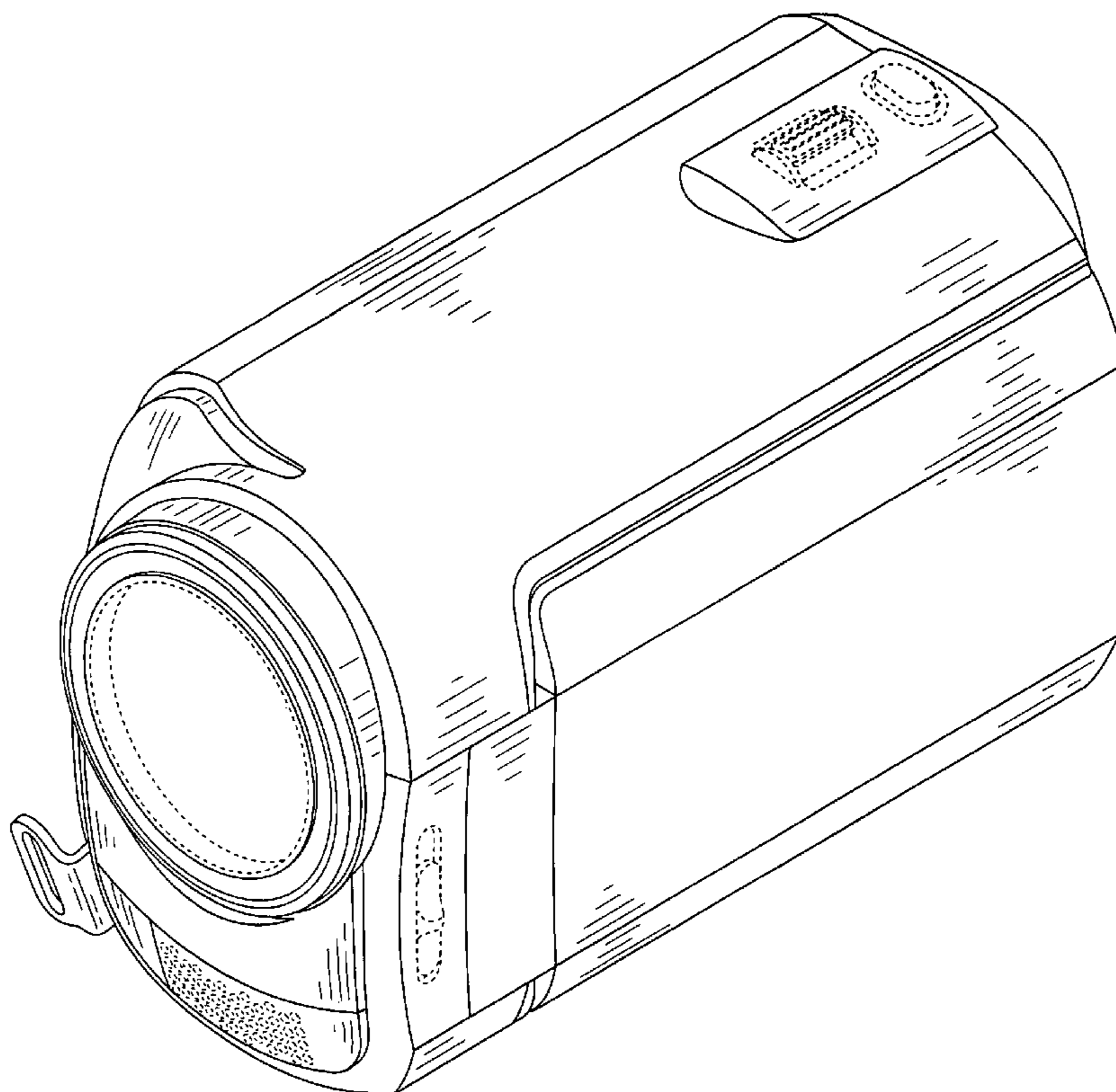
(56) **References Cited**

U.S. PATENT DOCUMENTS

D521,041 S * 5/2006 Chung et al. D16/202
7,307,663 B2 * 12/2007 Pokrovsky et al. 348/373
D561,800 S * 2/2008 Sadatsuki D16/202
D566,150 S * 4/2008 Sadatsuki D16/202
D570,892 S * 6/2008 Naruki D16/203

The portions shown in broken lines are for illustrative purposes only and form no part of the claimed design.

1 Claim, 6 Drawing Sheets



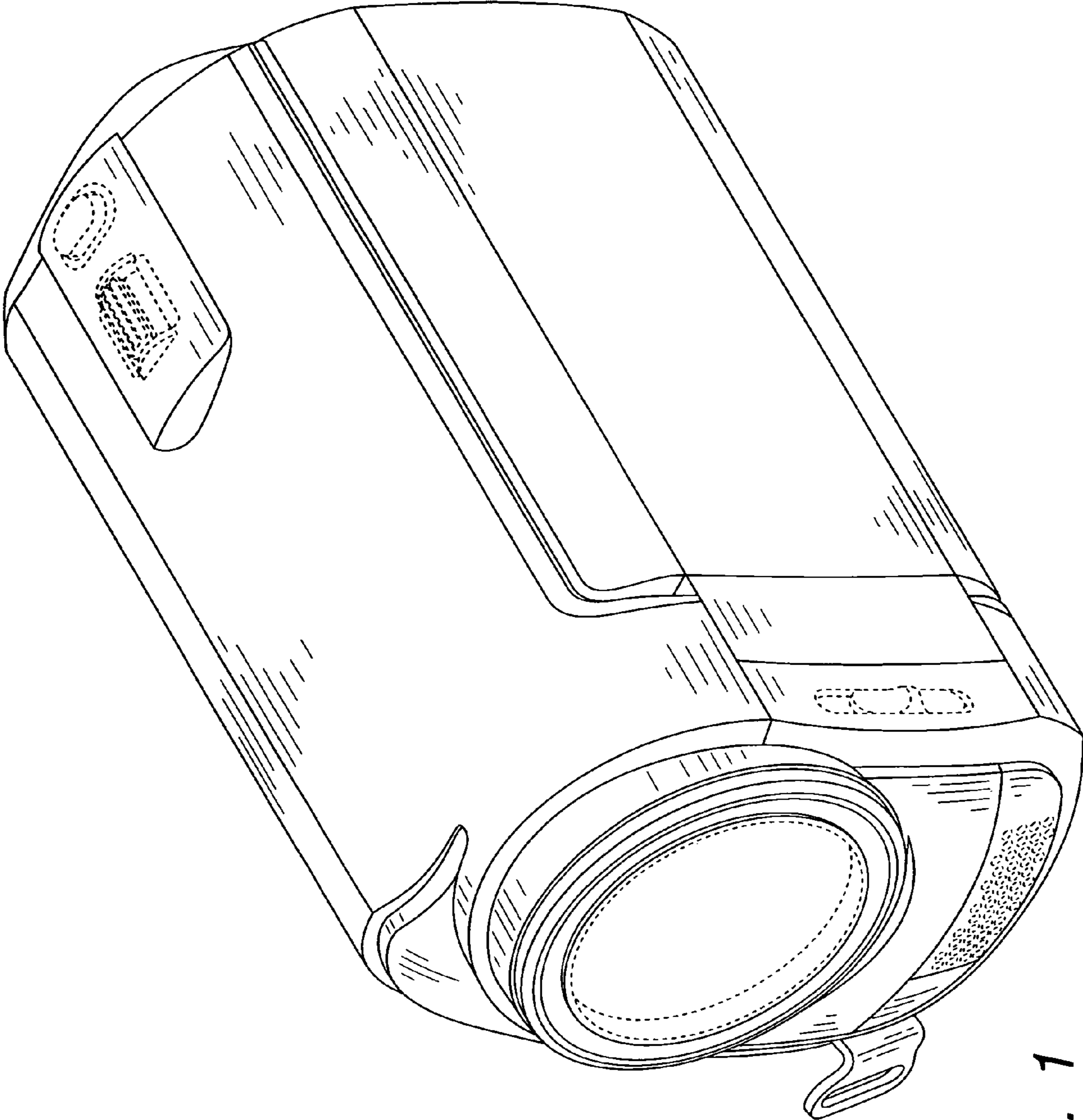


FIG. 1

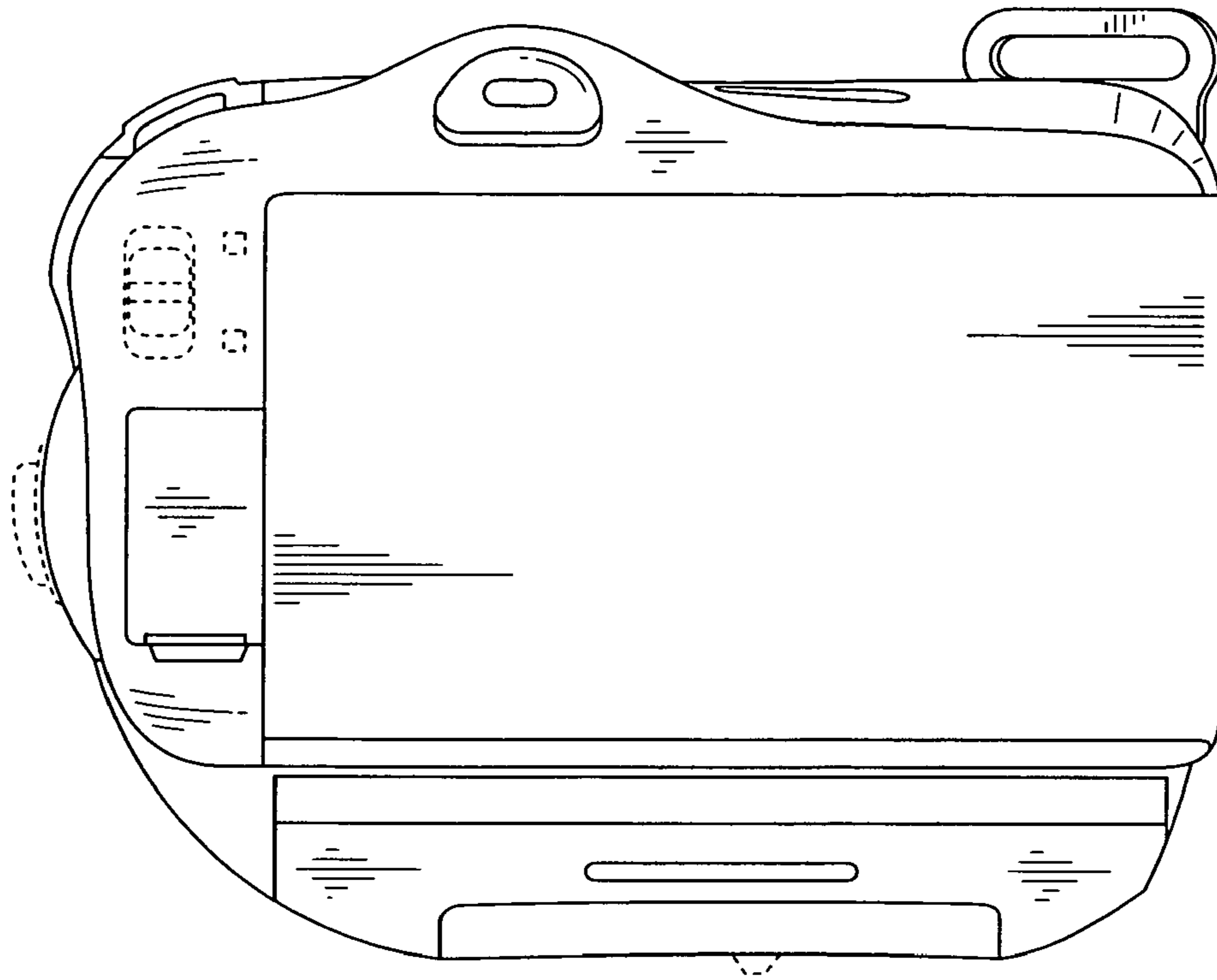


FIG. 3

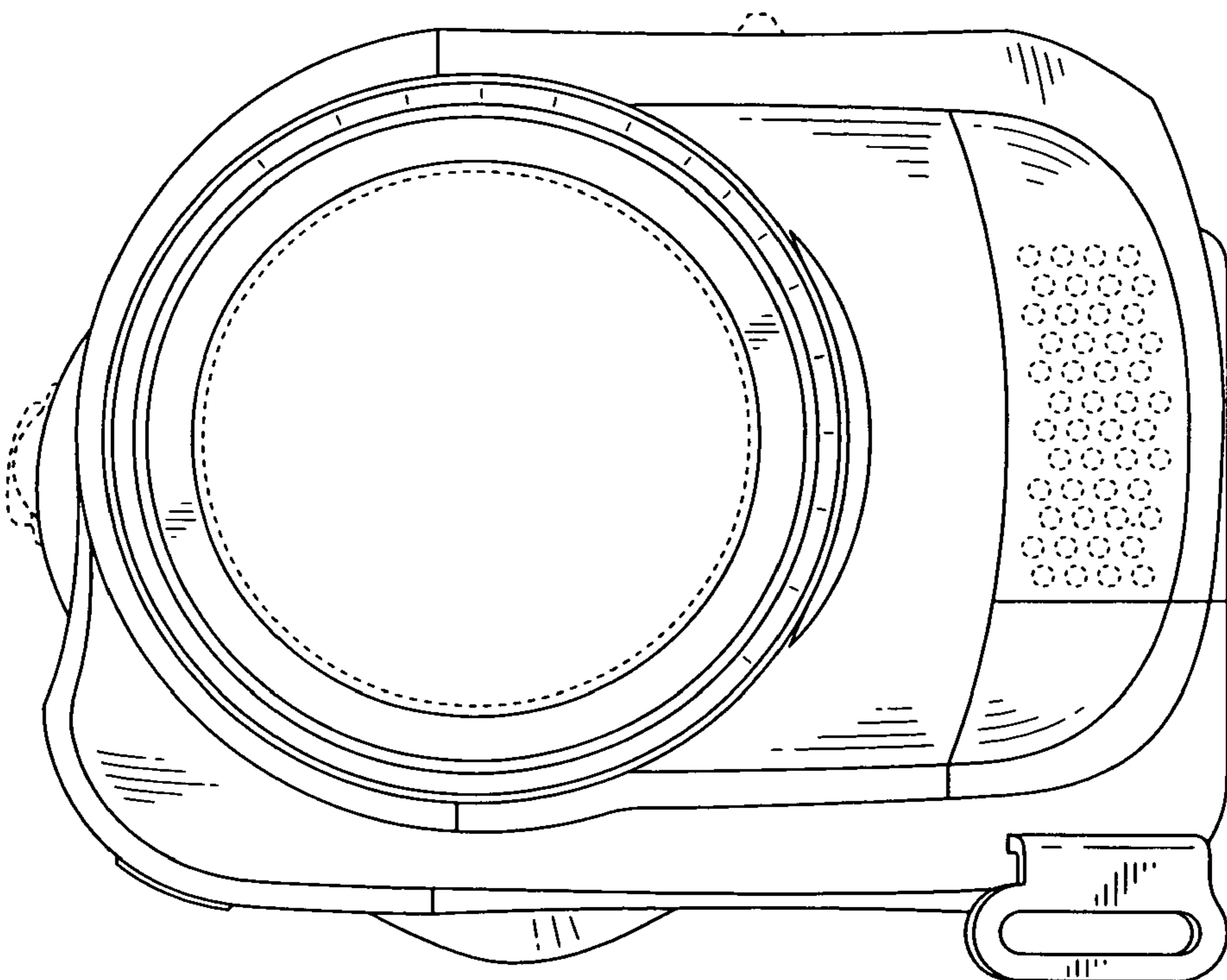


FIG. 2

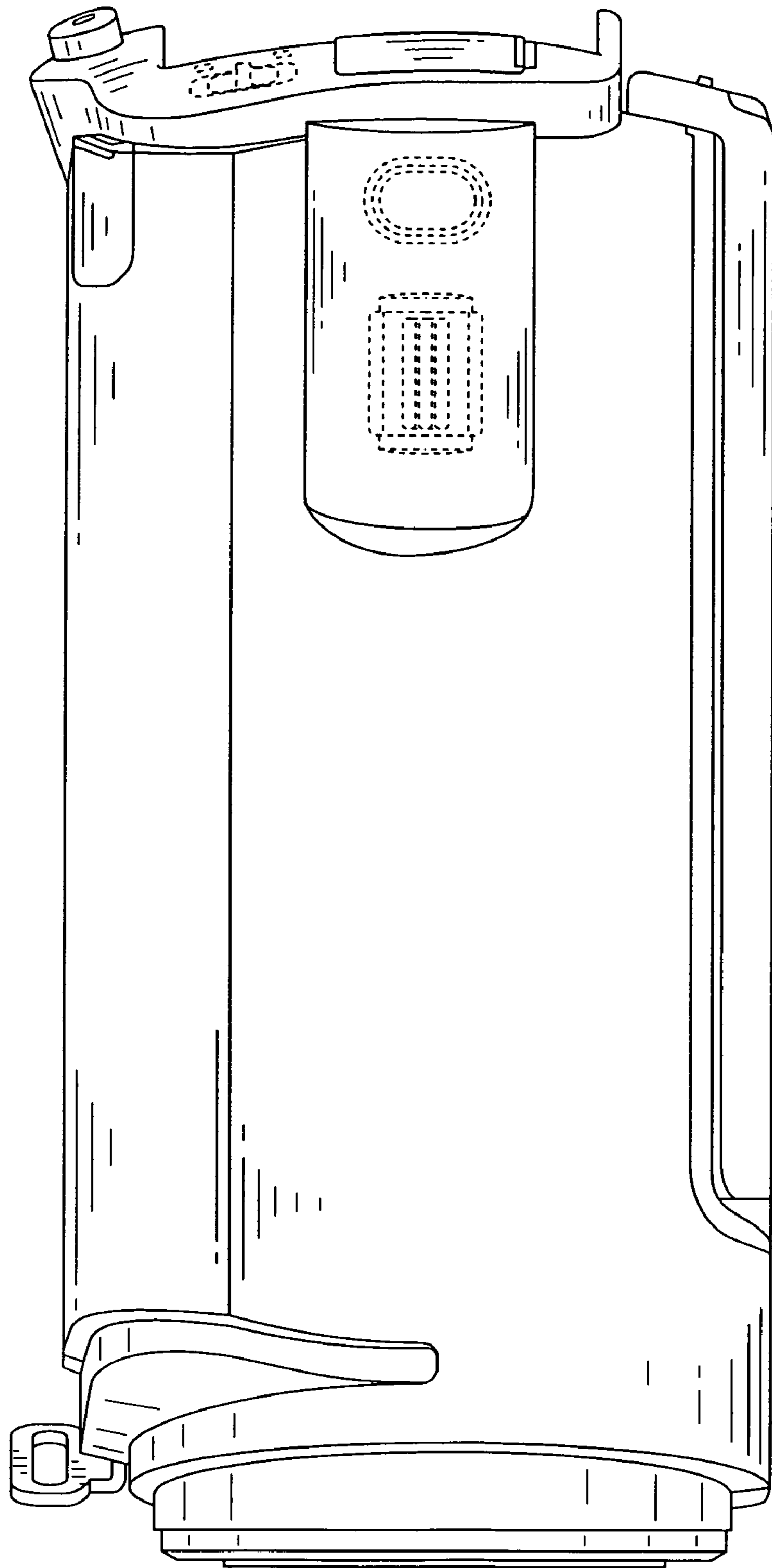


FIG. 4

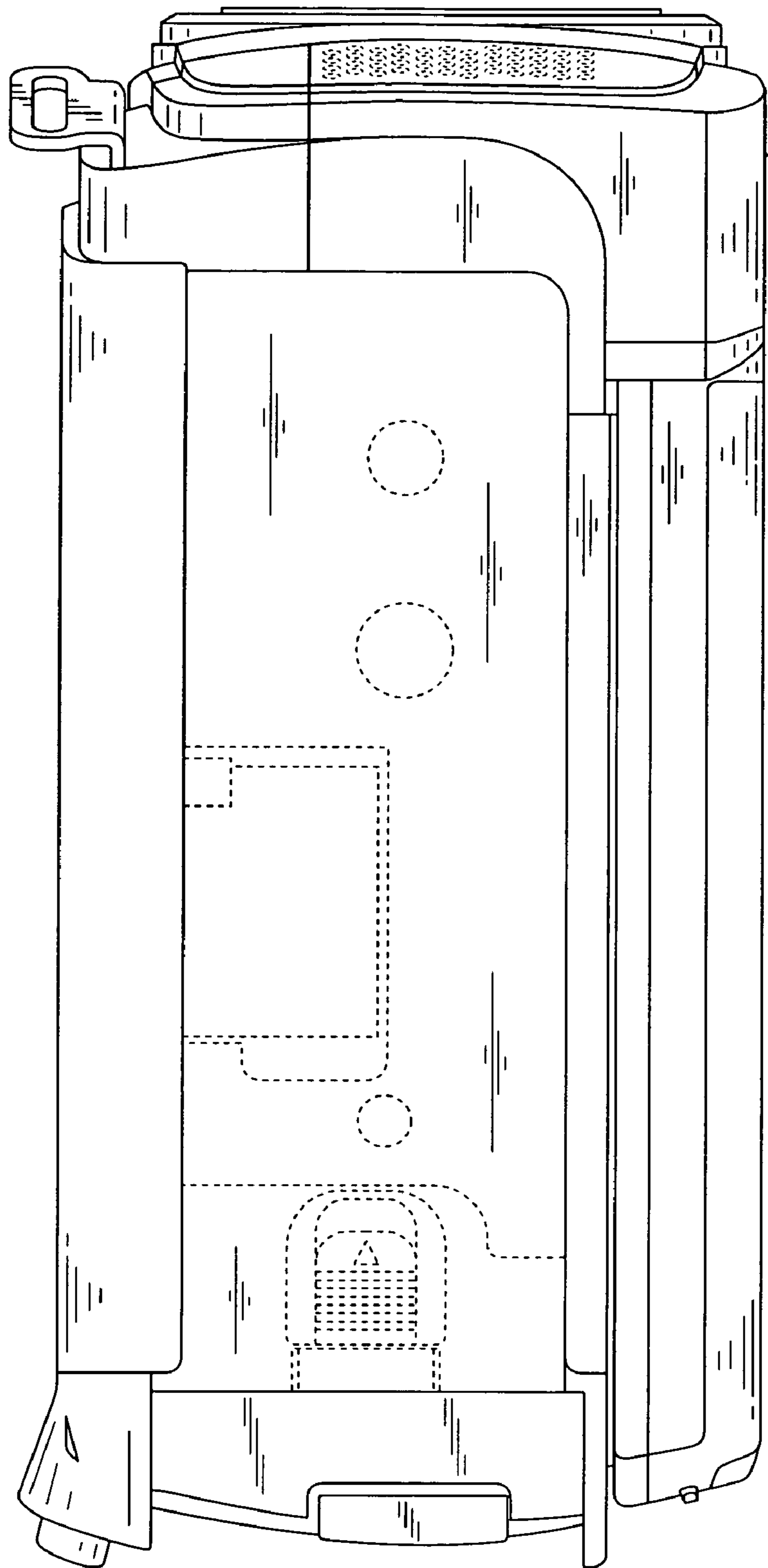


FIG. 5

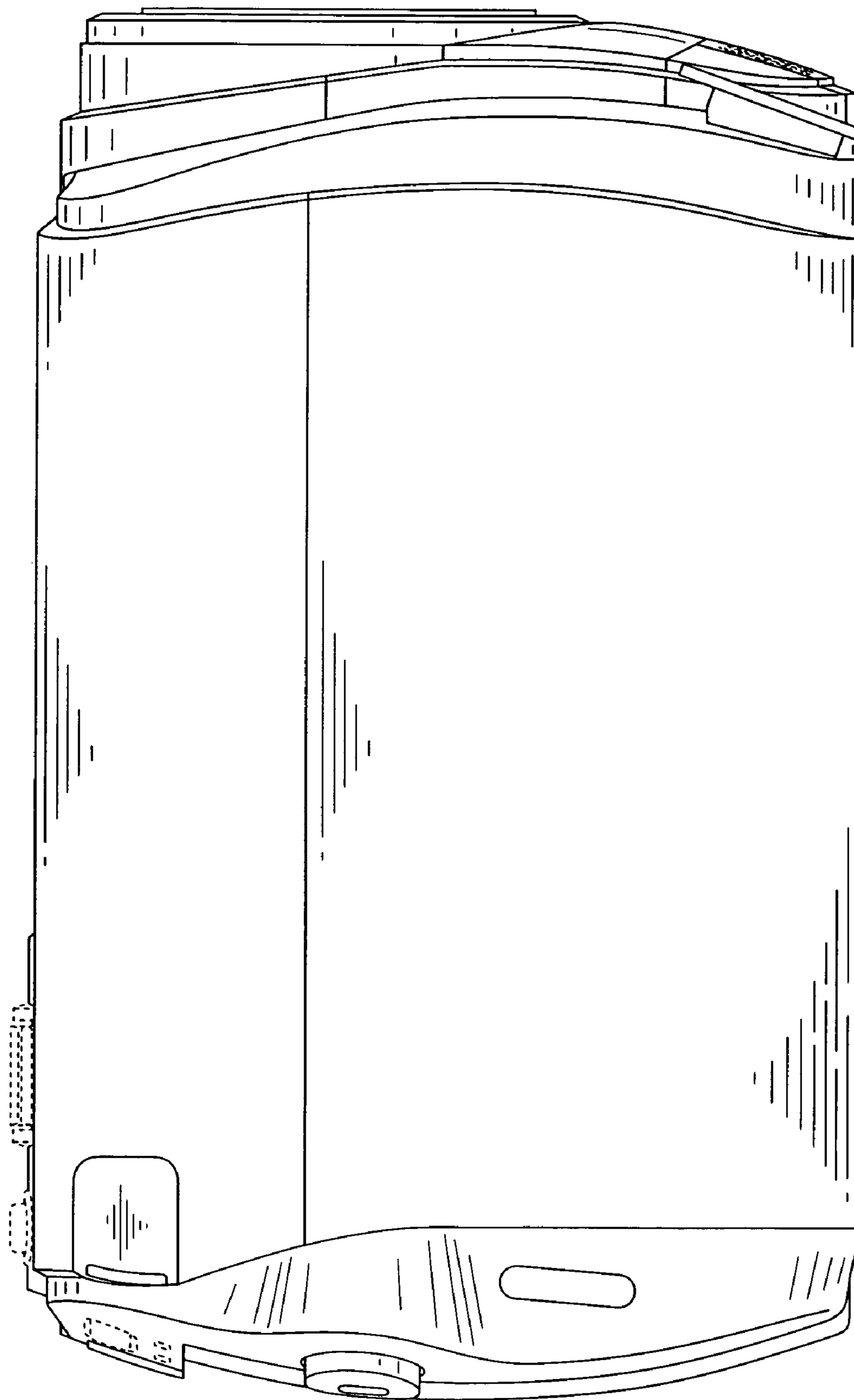


FIG. 6

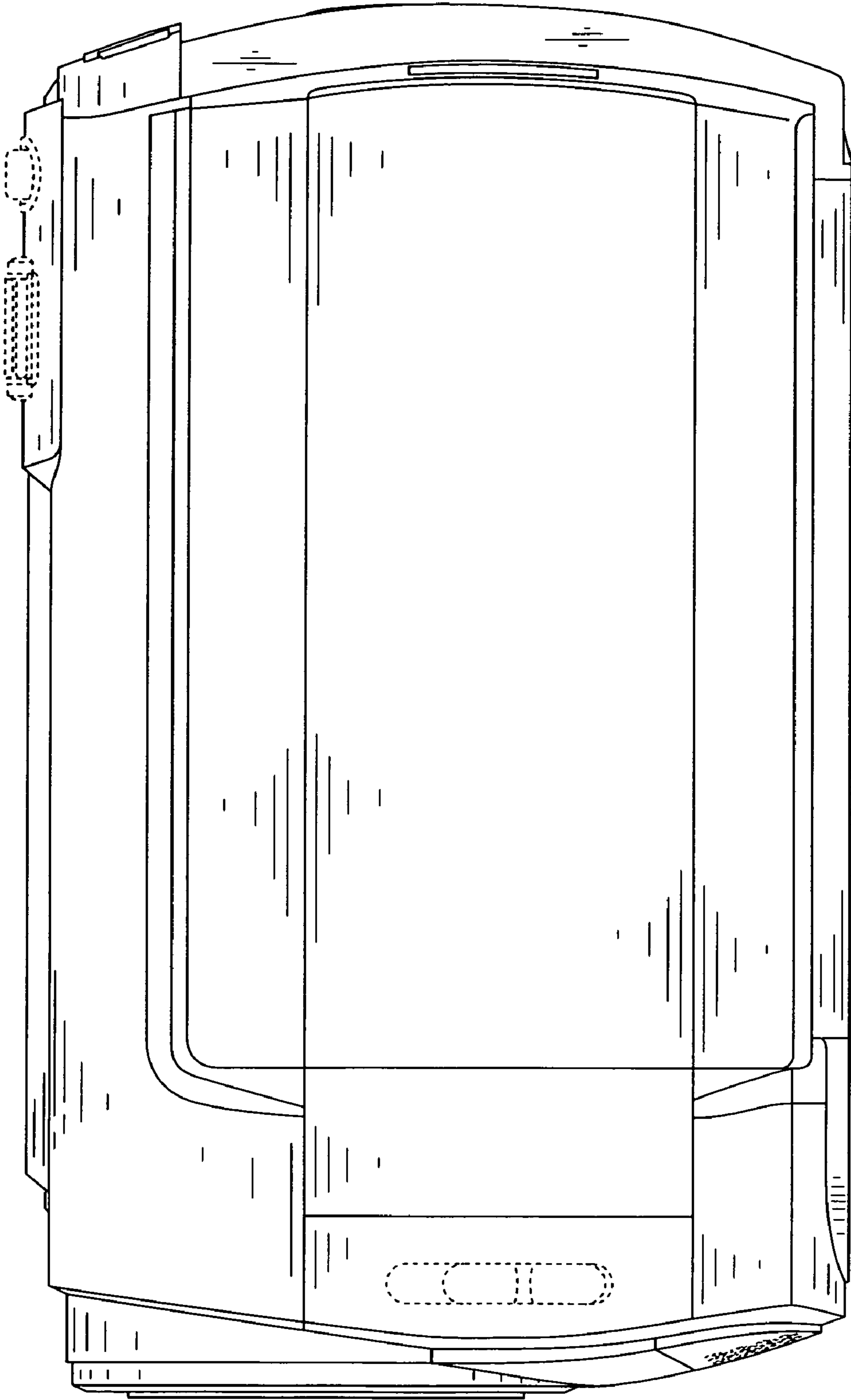


FIG. 7